

US00D643704S

(12) **United States Design Patent**
Koehn

(10) **Patent No.:** **US D643,704 S**

(45) **Date of Patent:** **** Aug. 23, 2011**

(54) **WIRE PEGBOARD AIR TOOL HOLDER
HOOK**

D444,706 S 7/2001 Giancaspro
D555,462 S * 11/2007 Moffitt et al. D8/370
D634,184 S * 3/2011 Koehn D8/373

* cited by examiner

(75) Inventor: **Vincent G. Koehn**, Montezuma, KS
(US)

Primary Examiner — Holly Baynham

(73) Assignee: **Quality Craft Industries Inc.**, Surrey,
British Columbia (CA)

(74) *Attorney, Agent, or Firm* — Shook, Hardy & Bacon
L.L.P.

(**) Term: **14 Years**

(57) **CLAIM**

The ornamental design for a wire pegboard air tool holder hook, as shown and described.

(21) Appl. No.: **29/368,382**

DESCRIPTION

(22) Filed: **Aug. 23, 2010**

(51) **LOC (9) Cl.** **08-05**

(52) **U.S. Cl.** **D8/370; D8/367**

(58) **Field of Classification Search** D8/370,
D8/367; 248/302-303, 221.31, 220.41

See application file for complete search history.

FIG. 1 is a perspective view of a wire pegboard hook of the present invention illustrated in a use environment, received in a pegboard and holding an air tool;

FIG. 2 is another perspective view thereof;

FIG. 3 is a left side elevation view thereof, the right side being a mirror image view thereof;

FIG. 4 is a bottom plan view thereof;

FIG. 5 is front elevation thereof;

FIG. 6 is a top plan view thereof; and,

FIG. 7 is rear elevation view thereof.

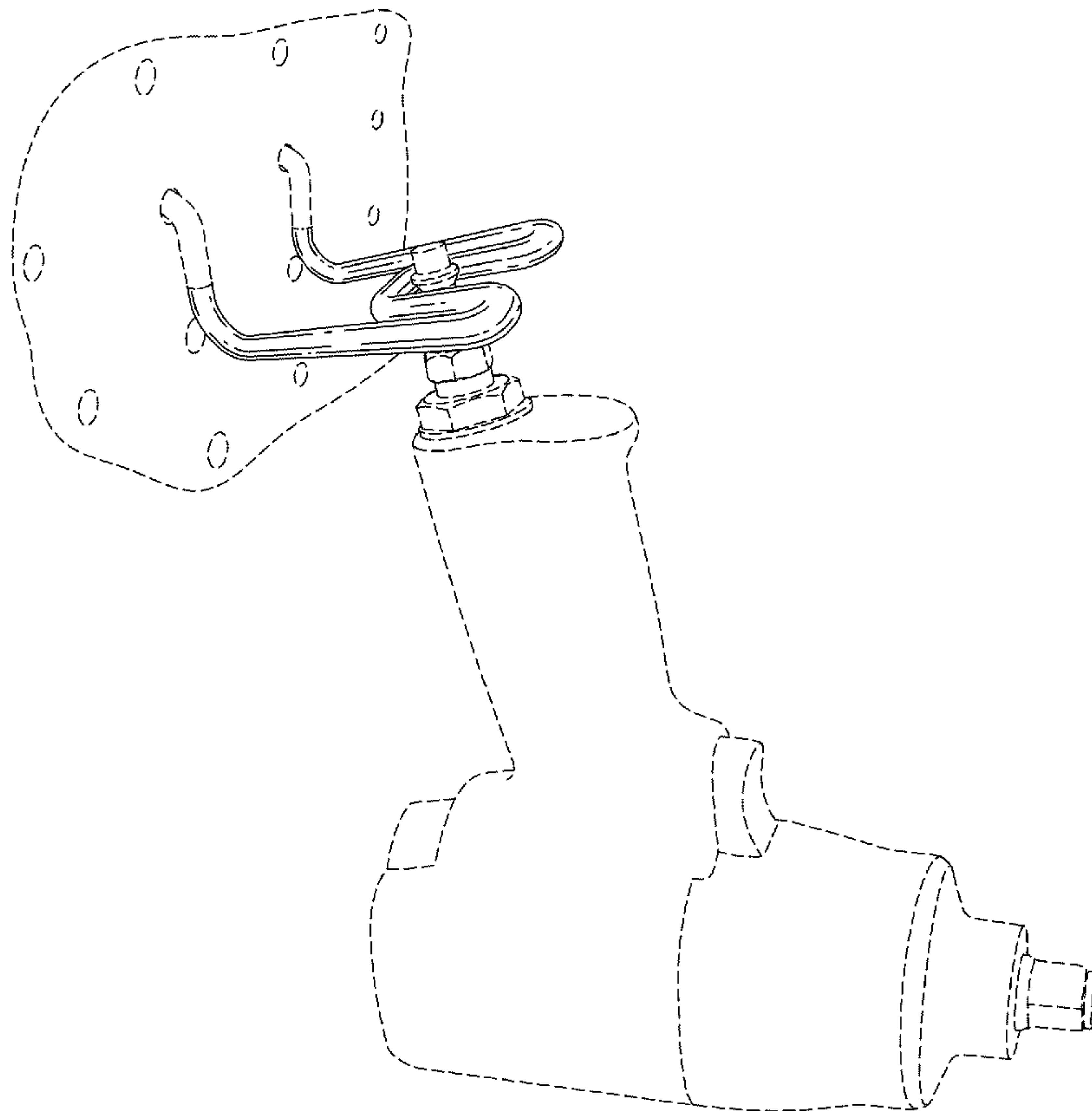
The broken lines immediately adjacent the shaded areas represent the bounds of the claim. The broken lines showing the air tool, partial pegboard and terminating ends of the hook are for the purposes of illustration only. None of the broken lines form a part of the claimed design.

(56) **References Cited**

U.S. PATENT DOCUMENTS

4,084,778 A	4/1978	Dominguez	
D283,032 S	3/1986	Quesnel	
D283,786 S *	5/1986	Chap	D8/370
D287,179 S	12/1986	Kuykendall	
D367,000 S *	2/1996	Martin	D8/370
5,626,244 A	5/1997	Mesna et al.	
D423,774 S	5/2000	Peterson	

1 Claim, 3 Drawing Sheets



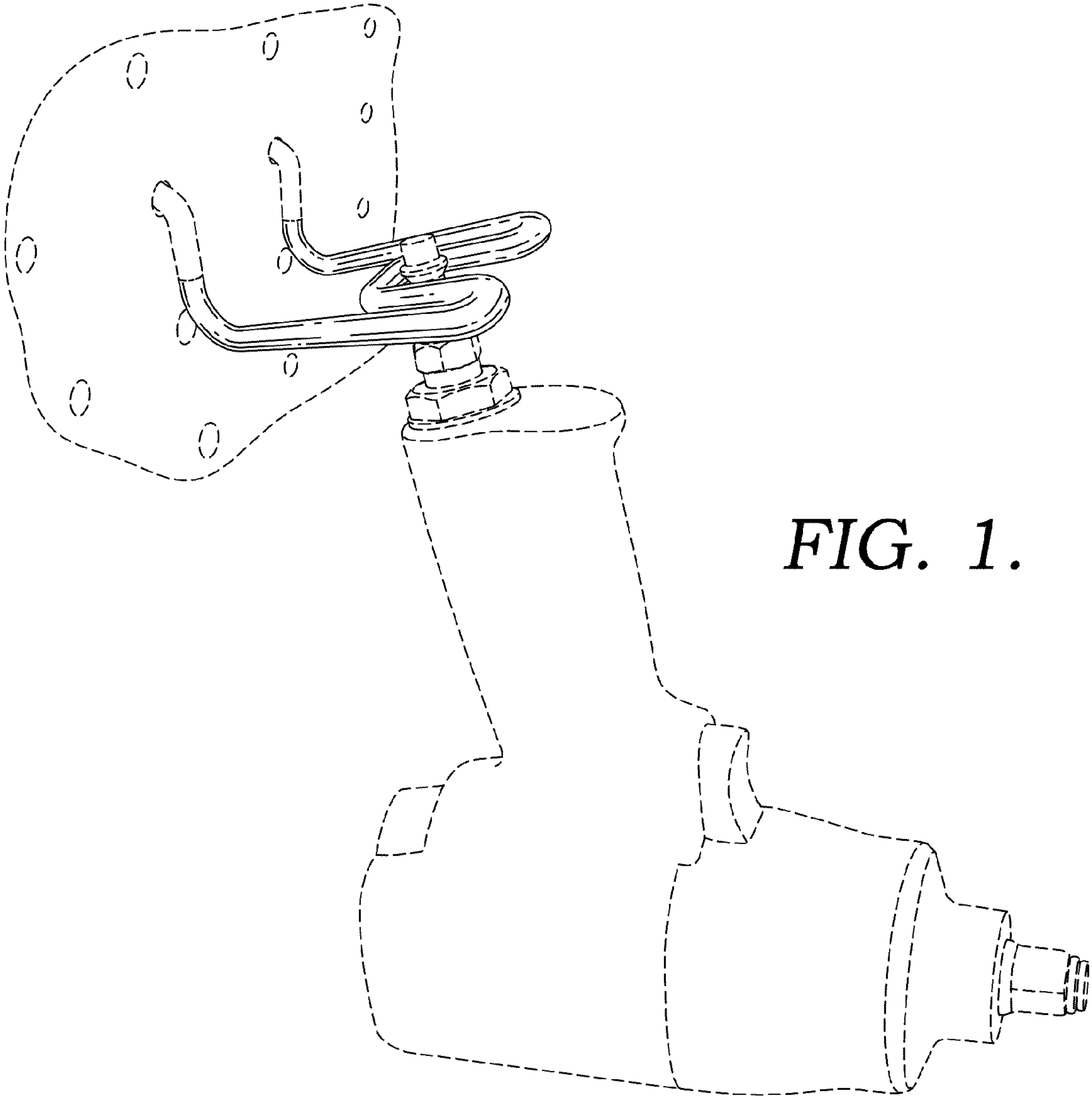


FIG. 1.

FIG. 2.

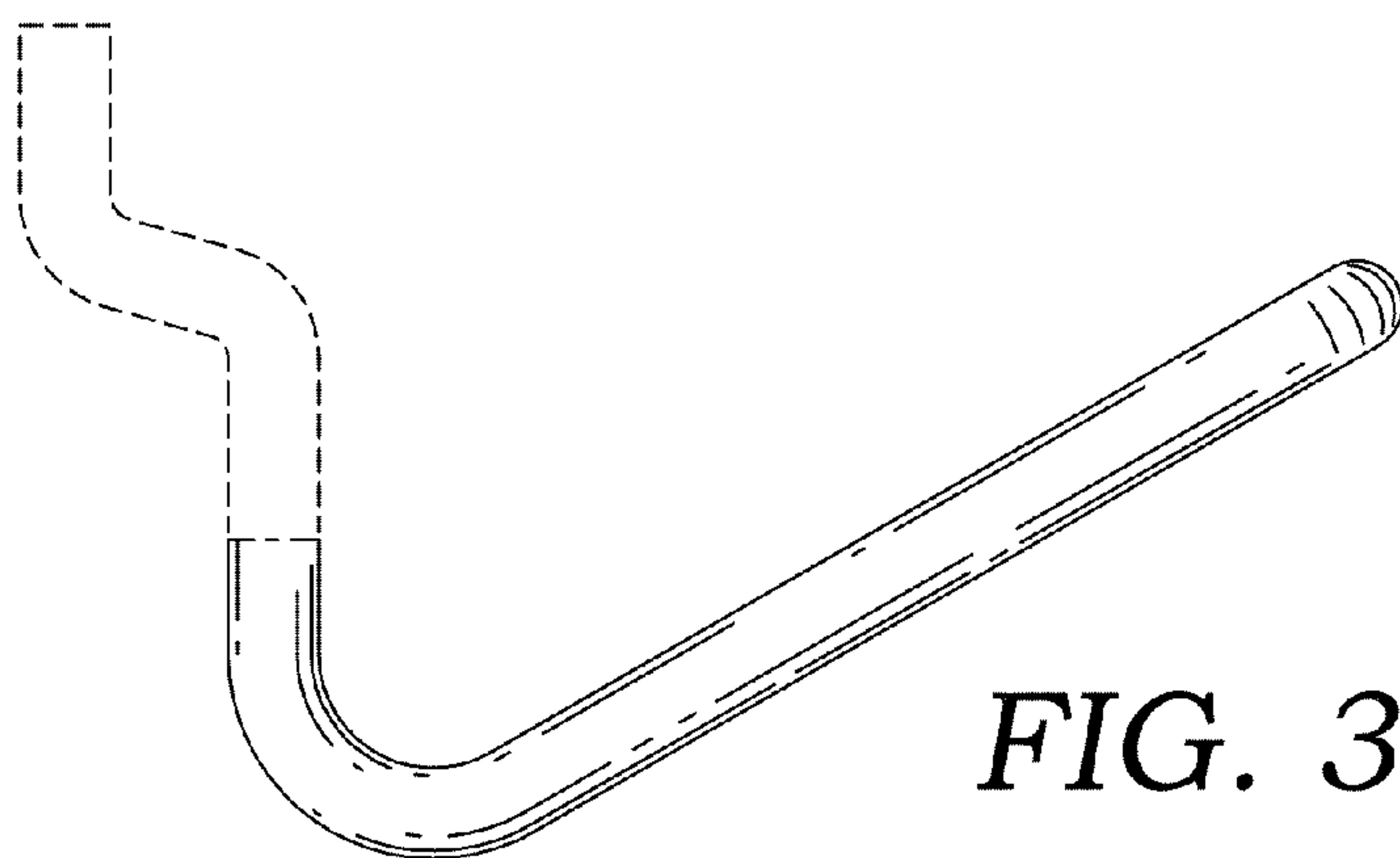
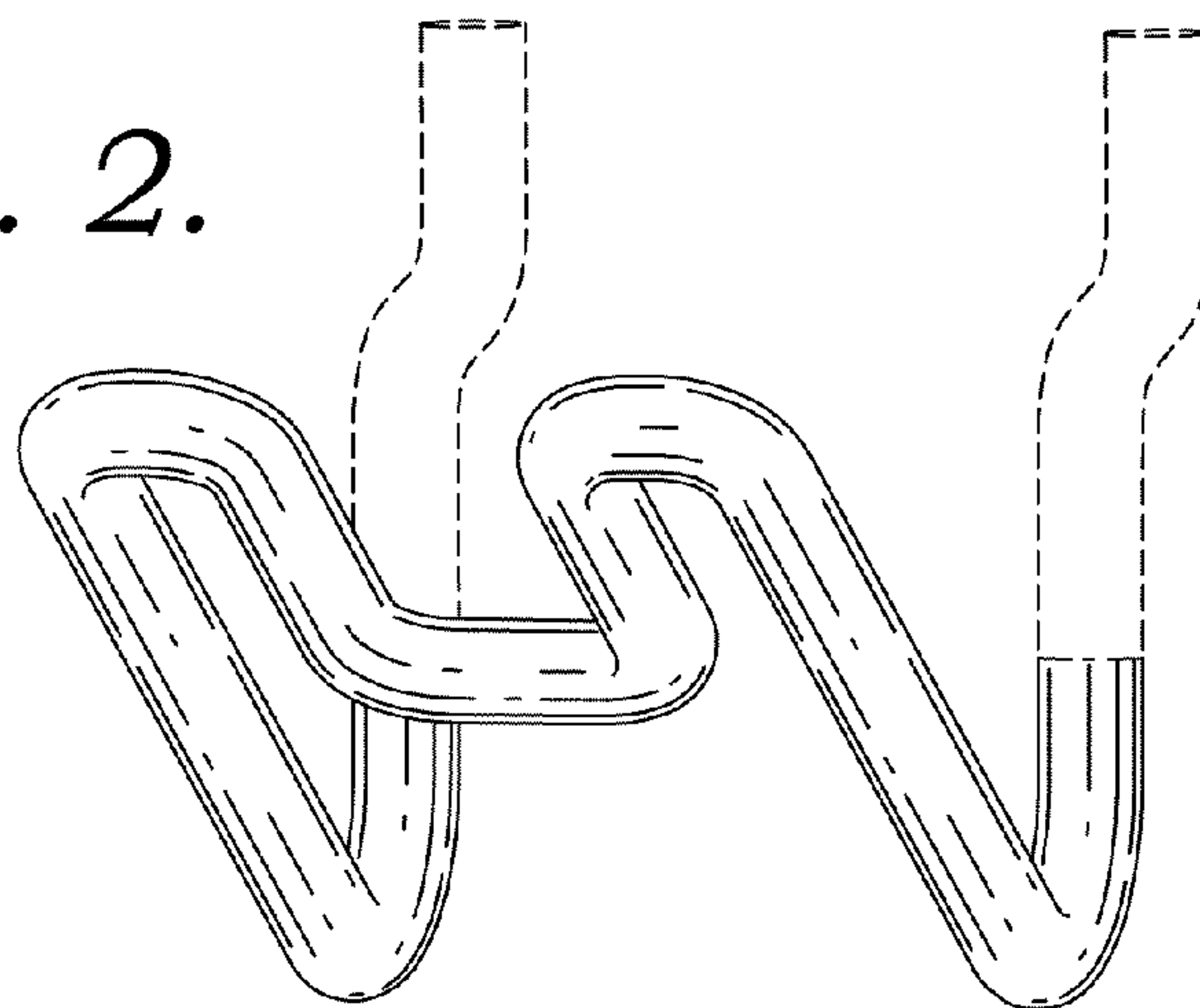


FIG. 3.

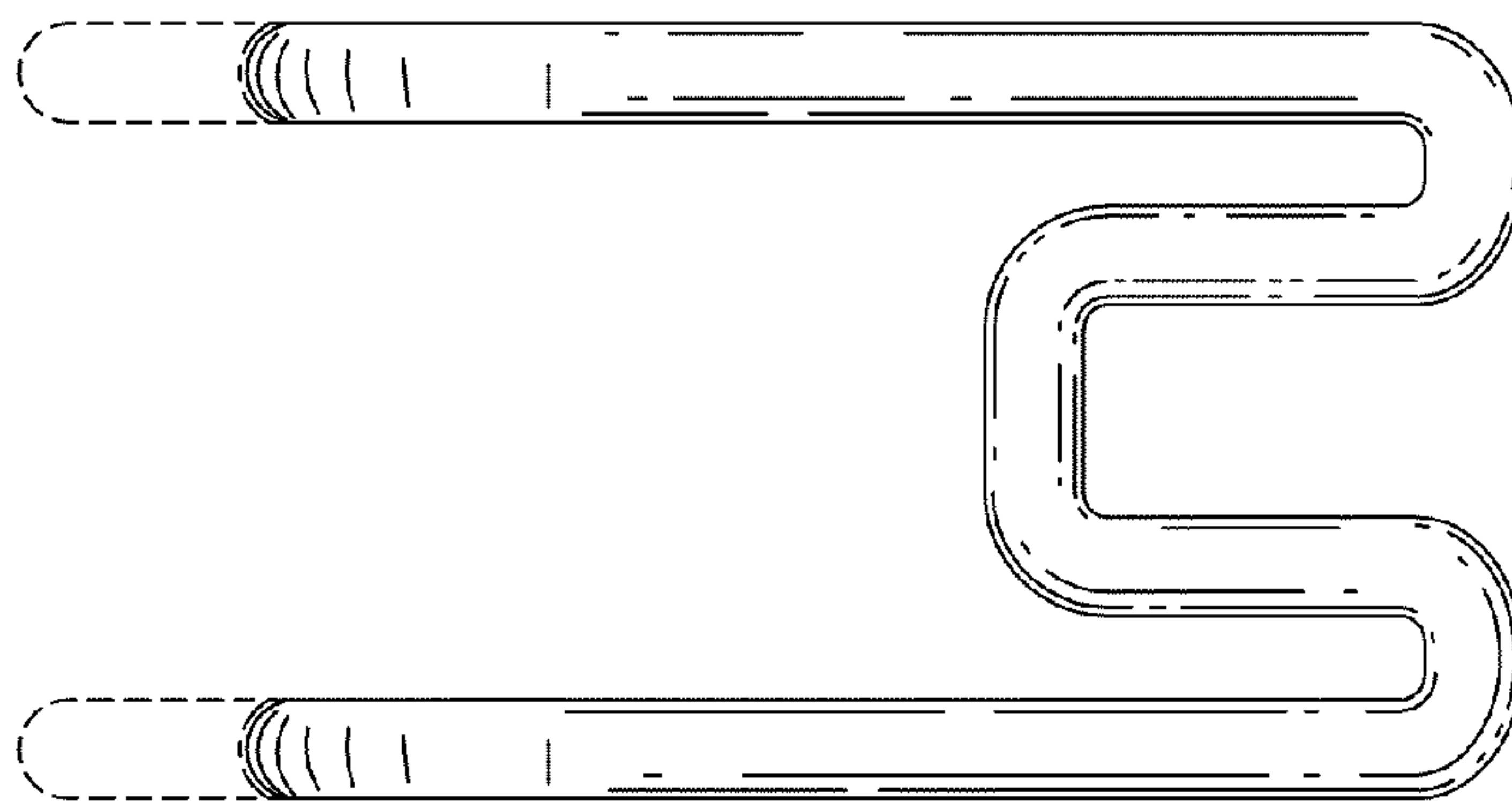


FIG. 4.

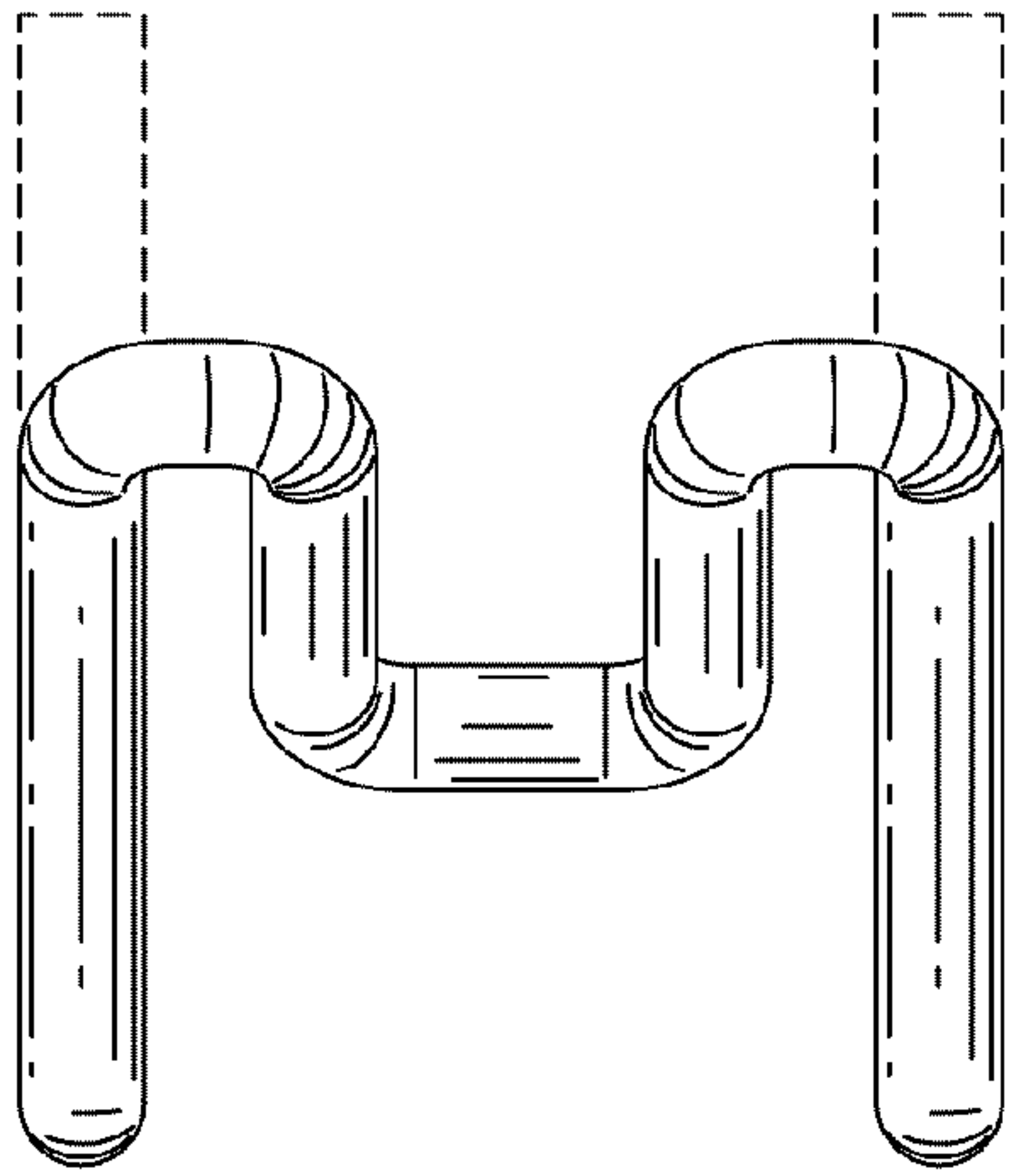


FIG. 5.

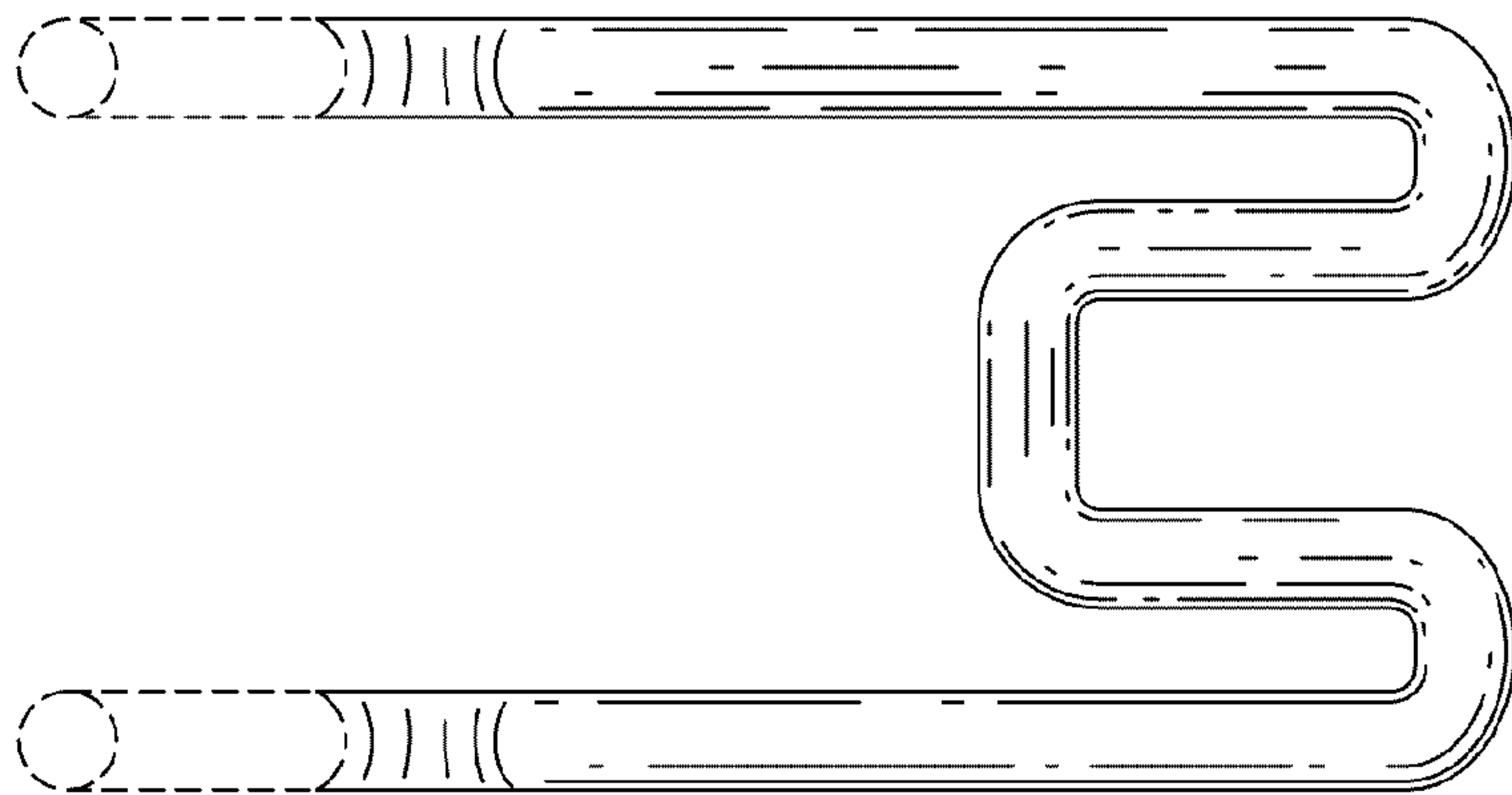


FIG. 6.

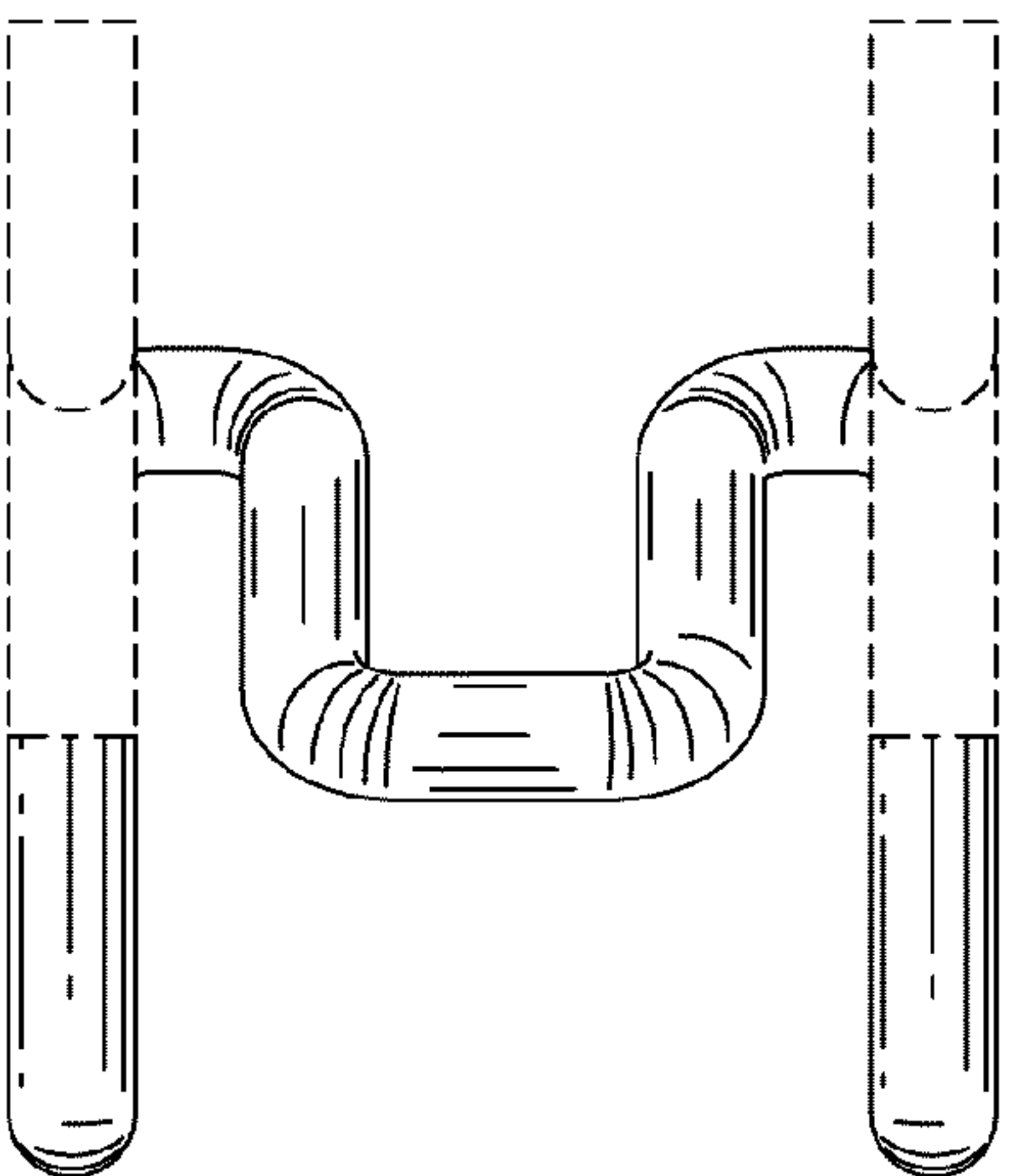


FIG. 7.