



US00D643703S

(12) **United States Design Patent**
Koehn

(10) **Patent No.:** **US D643,703 S**

(45) **Date of Patent:** **** Aug. 23, 2011**

(54) **PEGBOARD AIR TOOL HOLDER HOOK**

Primary Examiner — Holly Baynham

(75) Inventor: **Vincent G. Koehn**, Montezuma, KS
(US)

(74) *Attorney, Agent, or Firm* — Shook, Hardy & Bacon
L.L.P.

(73) Assignee: **Quality Craft Industries Inc.**, Surrey,
British Columbia (CA)

(57) **CLAIM**

The ornamental design for a pegboard air tool holder hook, as
shown and described.

(**) Term: **14 Years**

(21) Appl. No.: **29/367,955**

DESCRIPTION

(22) Filed: **Aug. 16, 2010**

(51) **LOC (9) Cl.** **08-05**

(52) **U.S. Cl.** **D8/367**

(58) **Field of Classification Search** D8/367,
D8/363, 373; 248/301-304, 220.31, 220.41
See application file for complete search history.

FIG. 1 is a perspective view of a pegboard hook of the present
invention illustrated in a use environment, received in a peg-
board and holding an air tool;

FIG. 2 is another perspective view thereof;

FIG. 3 is a front elevation view thereof;

FIG. 4 is a top plan view thereof;

FIG. 5 is a left side elevation view thereof, the right side being
a mirror image view thereof;

FIG. 6 is a rear elevation view thereof; and,

FIG. 7 is a bottom plan view thereof.

The broken lines immediately adjacent the shaded areas rep-
resent the bounds of the claim. The broken lines showing the
air tool, partial pegboard and terminating ends of the hook are
for the purposes of illustration only. None of the broken lines
form a part of the claimed design.

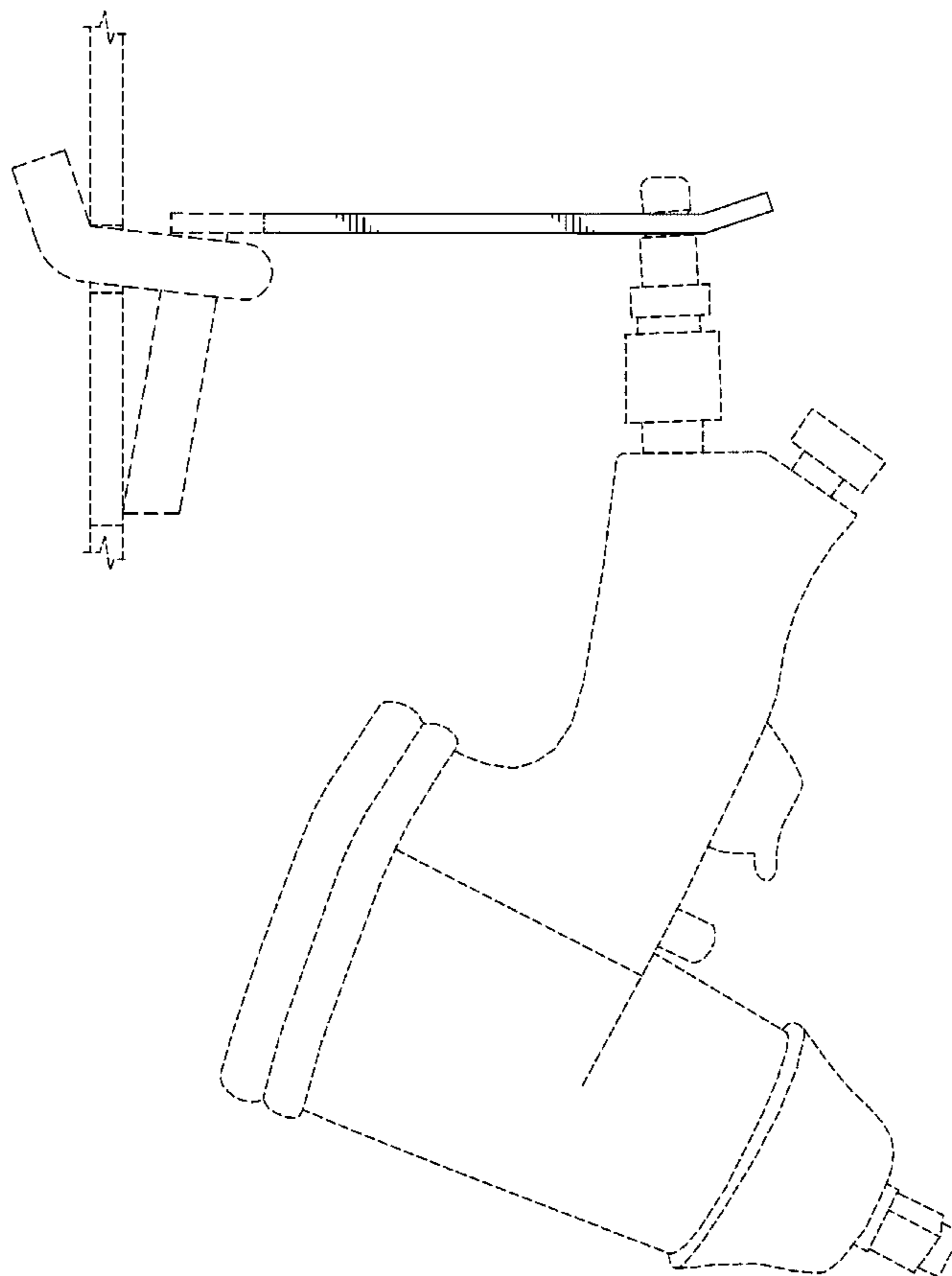
(56) **References Cited**

U.S. PATENT DOCUMENTS

4,084,778 A	4/1978	Dominguez	
D283,032 S	3/1986	Quesnel	
D287,179 S	12/1986	Kuykendall	
5,626,244 A	5/1997	Mesna et al.	
D423,774 S	5/2000	Peterson	
D444,706 S *	7/2001	Giancaspro	D9/455
D626,404 S *	11/2010	Koehn	D8/373

* cited by examiner

1 Claim, 3 Drawing Sheets



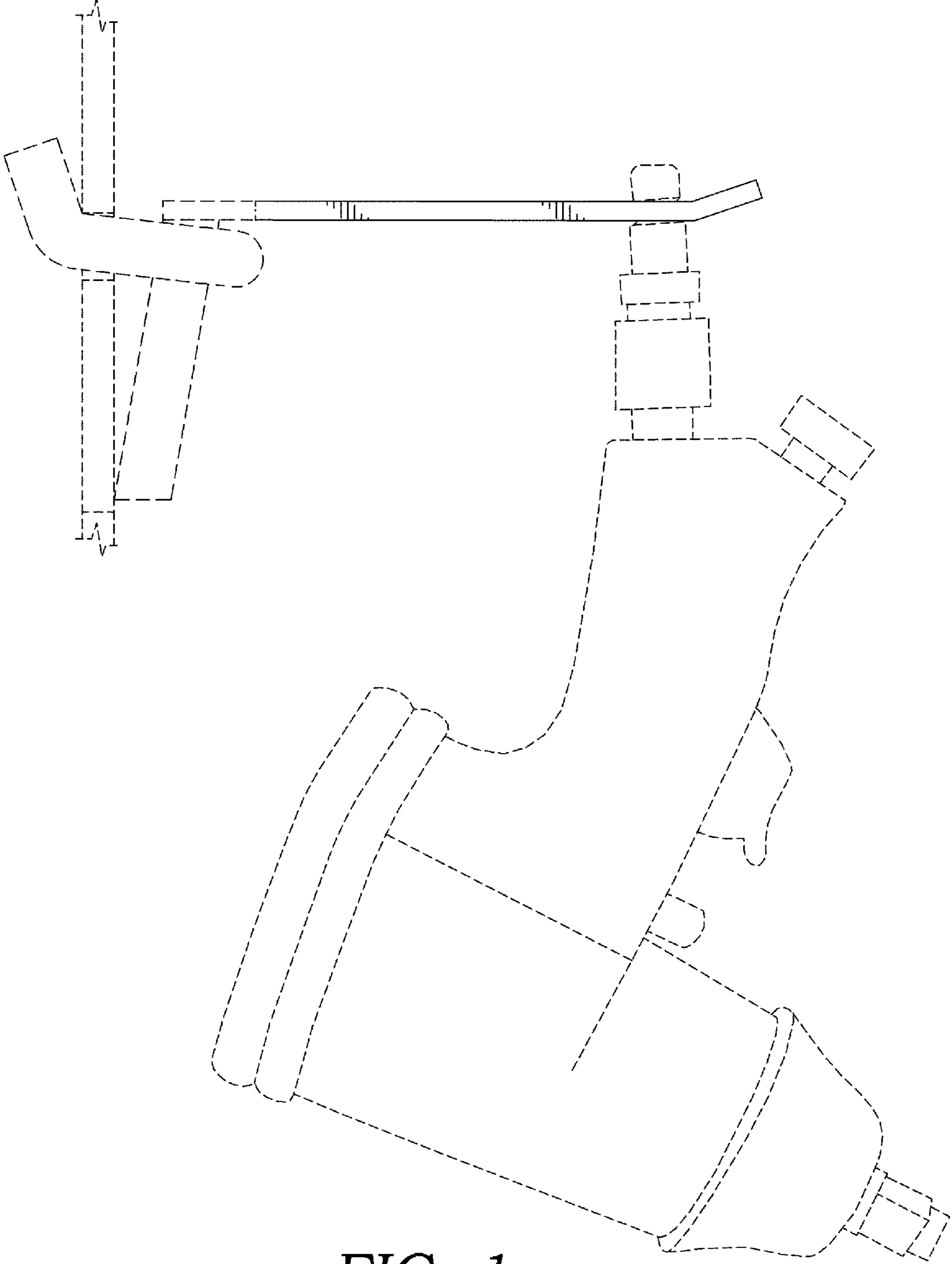


FIG. 1.

FIG. 2.

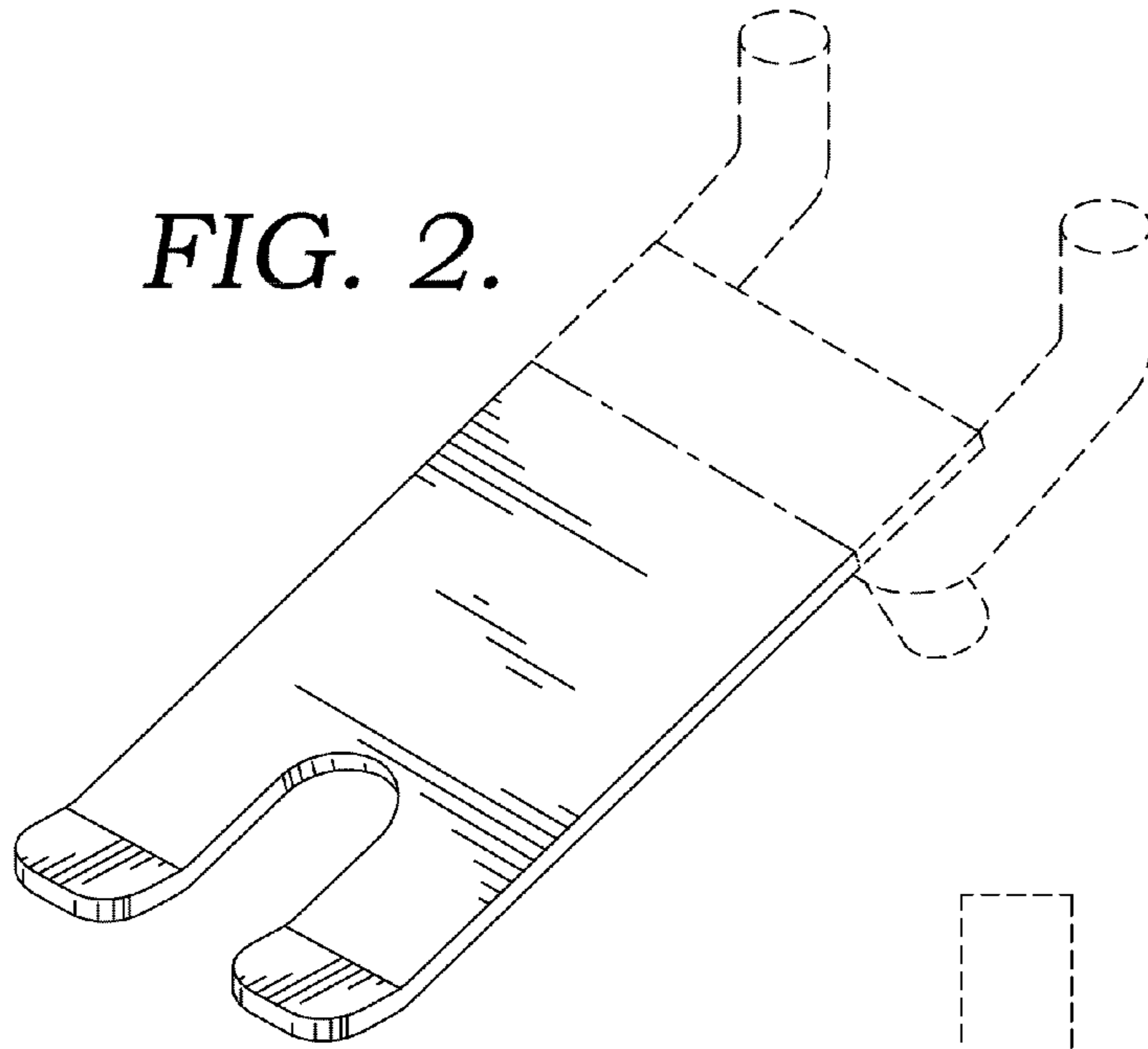


FIG. 3.

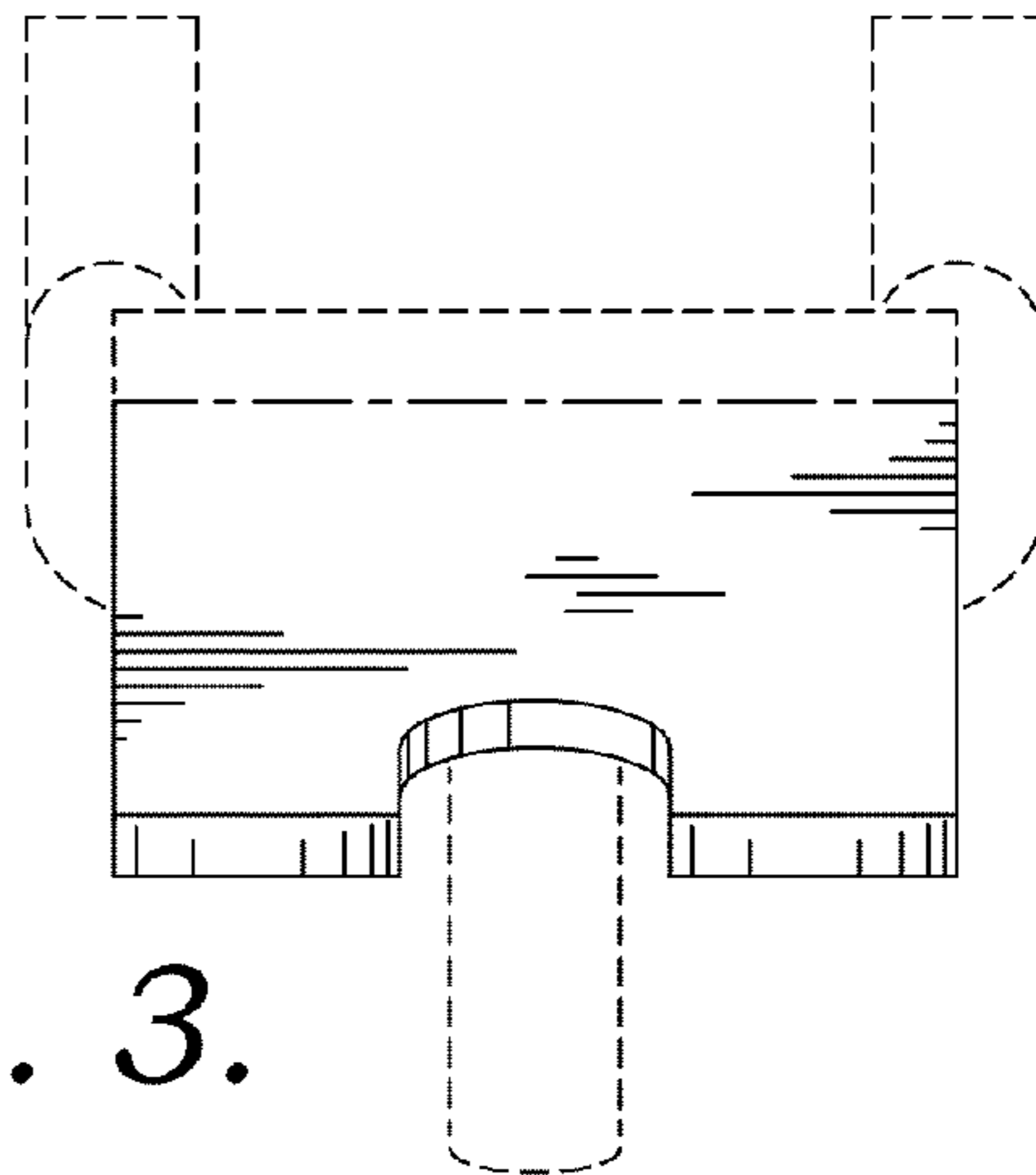
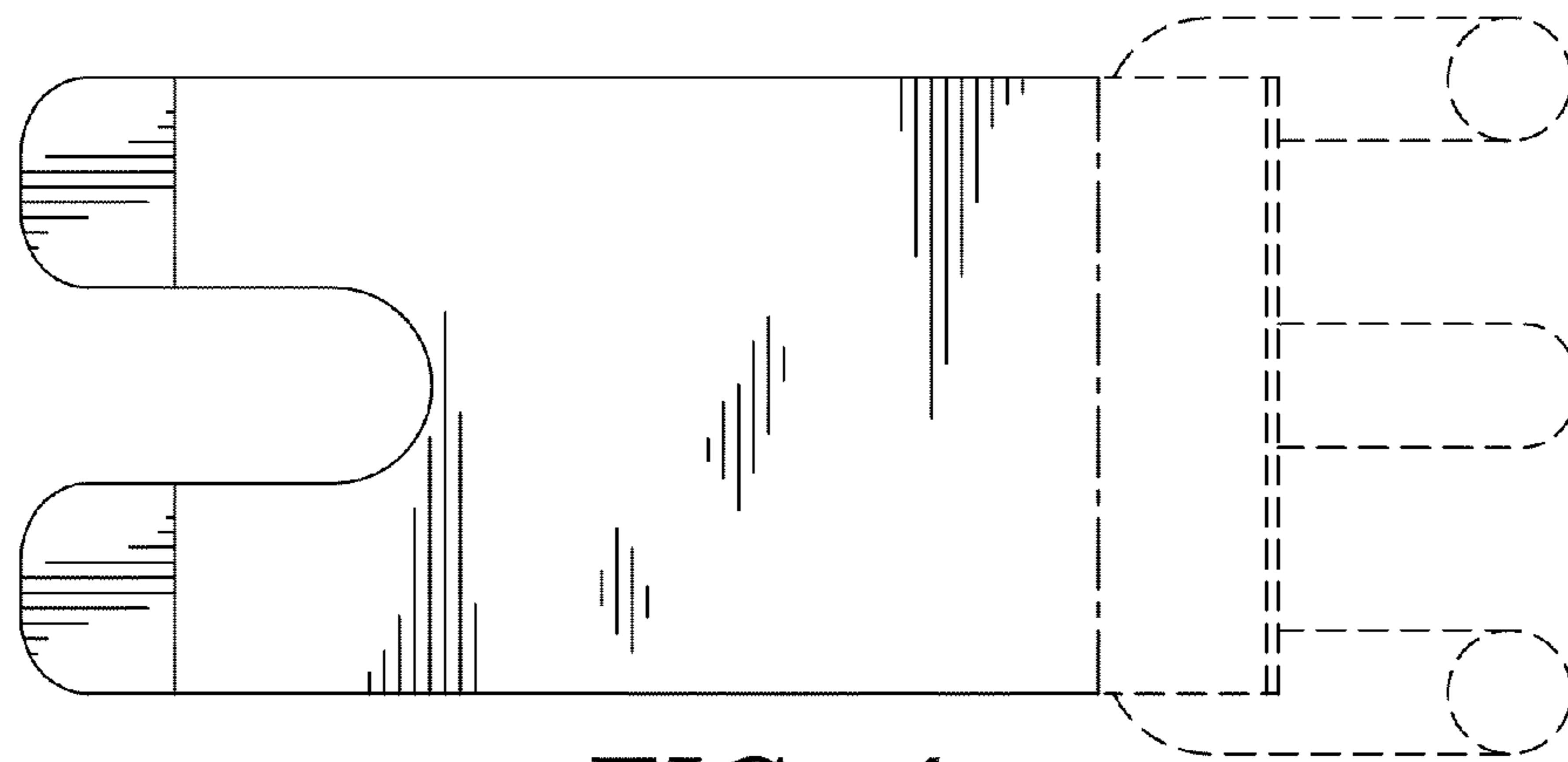


FIG. 4.



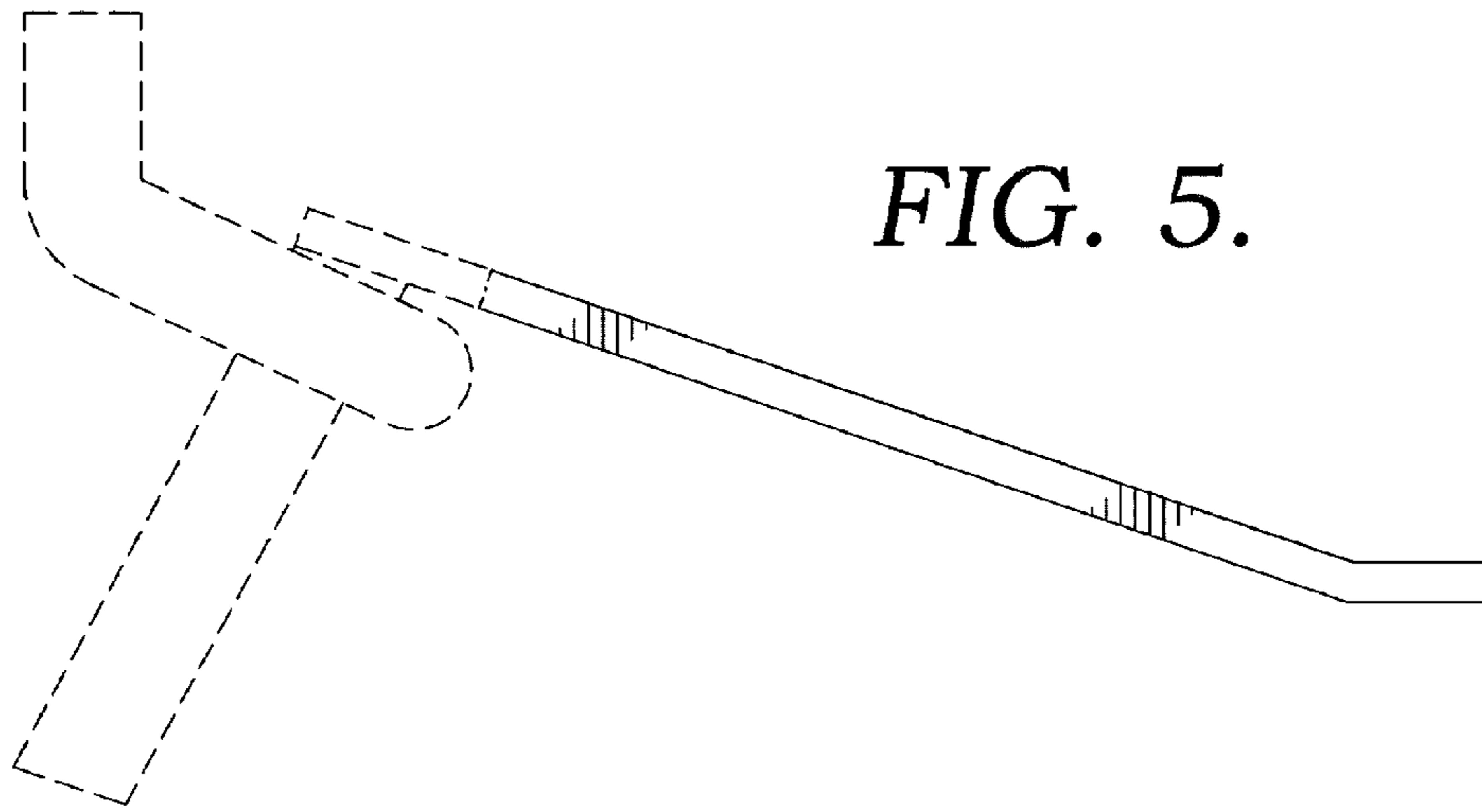


FIG. 6.

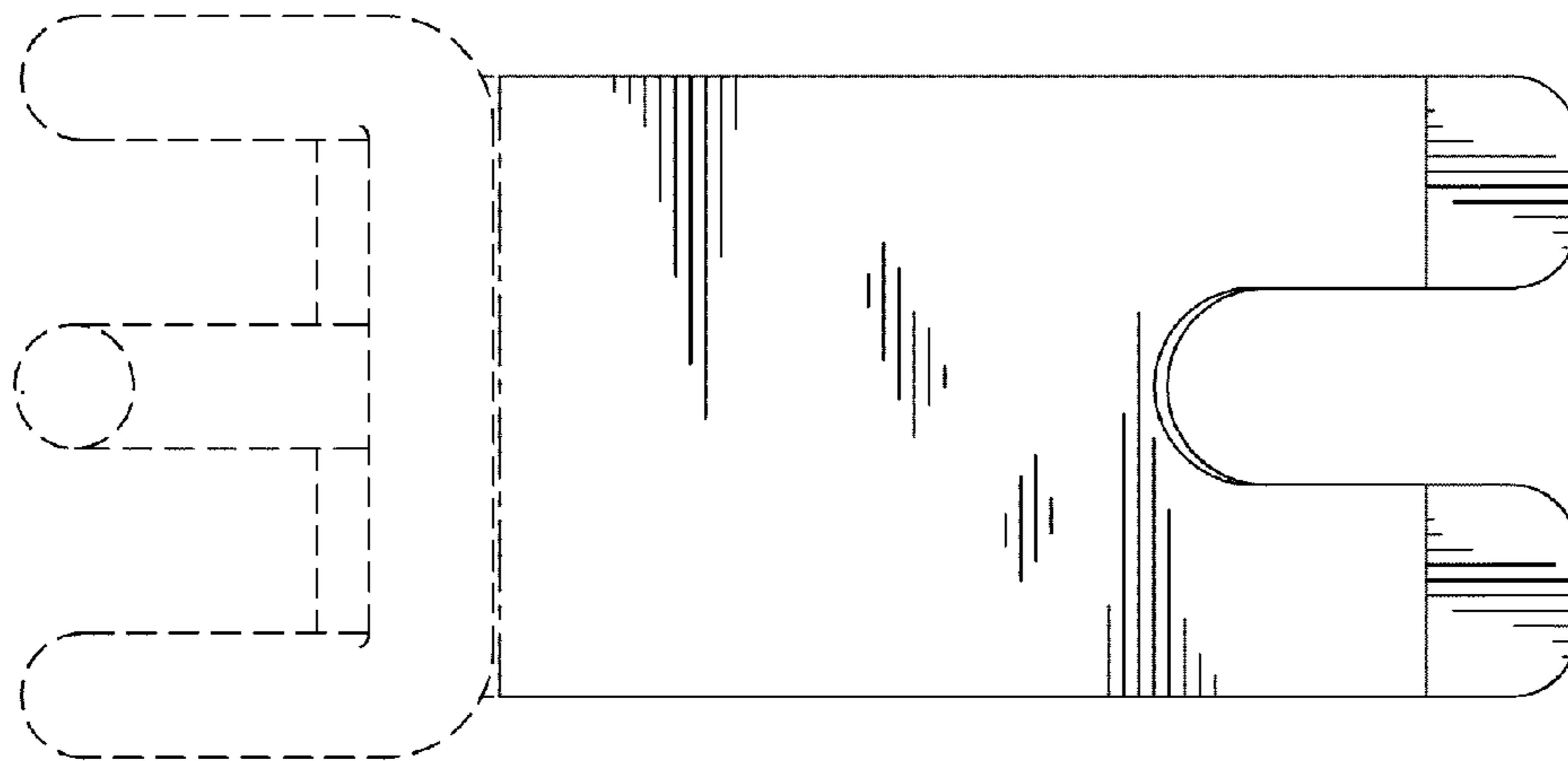
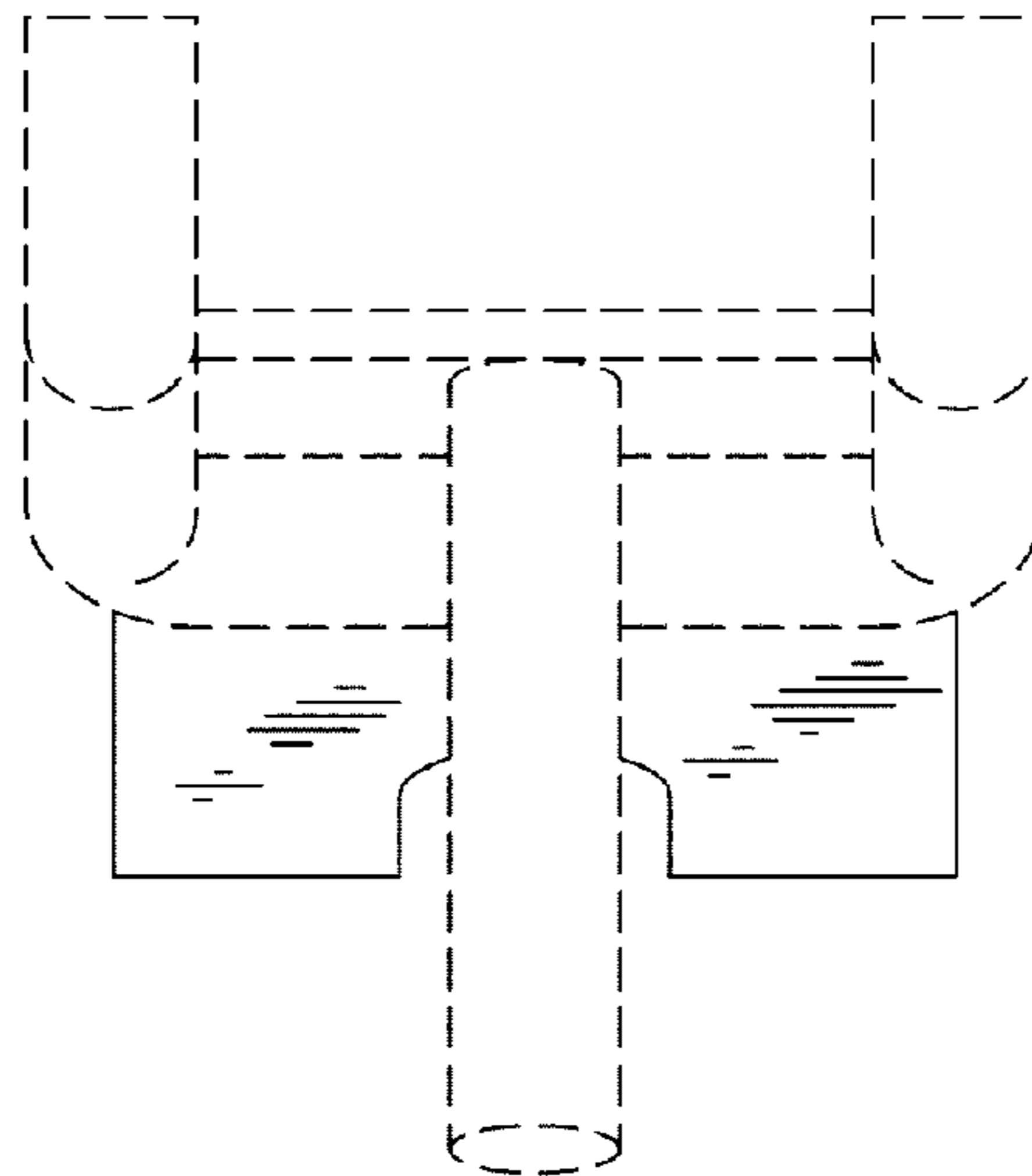


FIG. 7.