



US00D643702S

(12) **United States Design Patent**
Kanemitsu et al.

(10) **Patent No.:** **US D643,702 S**

(45) **Date of Patent:** **** Aug. 23, 2011**

(54) **PULLEY**

(75) Inventors: **Toshiaki Kanemitsu**, Akashi (JP);
Kazuyuki Oda, Akashi (JP)

(73) Assignee: **Kanemitsu Corporation**, Akashi-shi
(JP)

(**) Term: **14 Years**

(21) Appl. No.: **29/345,907**

(22) Filed: **Oct. 23, 2009**

(30) **Foreign Application Priority Data**

Apr. 27, 2009 (JP) 2009-009662

(51) **LOC (9) Cl.** **08-05**

(52) **U.S. Cl.** **D8/360**

(58) **Field of Classification Search** D8/327,
D8/323, 349, 356, 354, 360, 399, 382; 439/501;
320/111, 114; 191/12.4; D15/148, 5, 146,
D15/147, 149; D11/26, 39; D23/269; D12/501,
D12/175, 204, 207, 208; 474/8, 29, 31, 37,
474/39, 41, 47-57, 69, 113, 135, 166
See application file for complete search history.

(56) **References Cited**

U.S. PATENT DOCUMENTS

1,627,572 A * 5/1927 Olinger et al. 254/390
D297,707 S * 9/1988 Kanemitsu D8/360
D308,013 S * 5/1990 Kanemitsu D8/360

D347,378 S * 5/1994 Warner D8/360
D459,197 S * 6/2002 Hodjat D8/360
6,575,536 B2 * 6/2003 Chen 301/35.623
6,669,135 B1 * 12/2003 Hartley 242/390.9
D598,480 S * 8/2009 Kanemitsu D15/148
7,614,611 B1 * 11/2009 Walton et al. 254/393
D621,240 S * 8/2010 Lutter et al. D8/356
7,874,411 B2 * 1/2011 Roberts et al. 191/12.2 R
2004/0145123 A1 * 7/2004 Hystad 277/608
2004/0178398 A1 * 9/2004 Miller et al. 254/390

* cited by examiner

Primary Examiner — Cynthia Underwood

(74) *Attorney, Agent, or Firm* — Rankin, Hill & Clark LLP

(57) **CLAIM**

The ornamental design for a pulley, as shown and described.

DESCRIPTION

FIG. 1 is a front, right side and top perspective view of a pulley in accordance with our new design;
FIG. 2 is a front elevation view of the pulley in accordance with our new design;
FIG. 3 is a rear elevation view of the pulley in accordance with our new design;
FIG. 4 is a left side view of the pulley in accordance with our new design, a right side view being a mirror image thereof;
FIG. 5 is a top plan view of the pulley in accordance with our new design, a bottom plan view being a mirror image thereof; and,
FIG. 6 is an enlarged sectional view taken along a line 6-6 of FIG. 2 of the pulley in accordance with our new design.

1 Claim, 2 Drawing Sheets

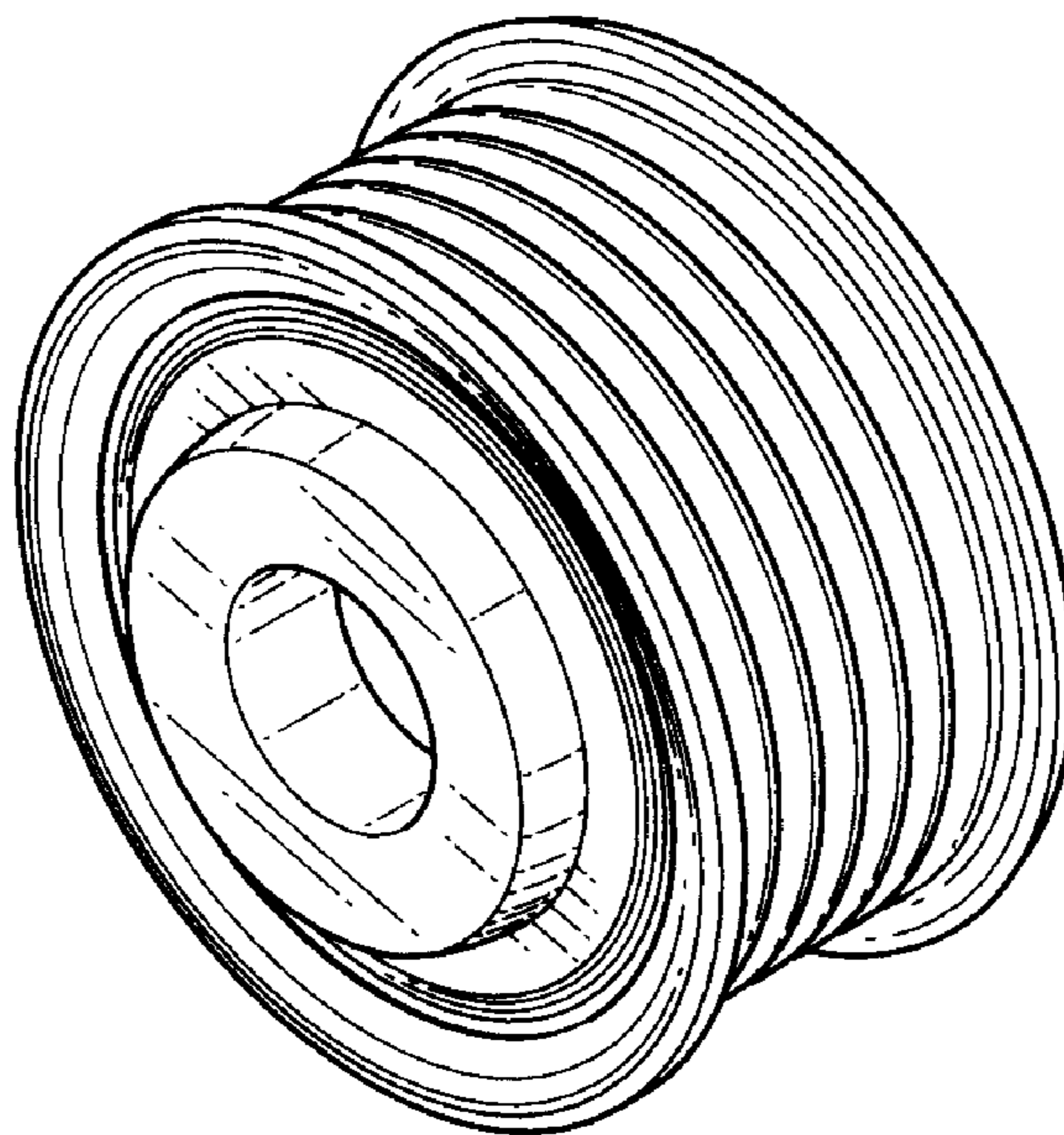


Fig. 1

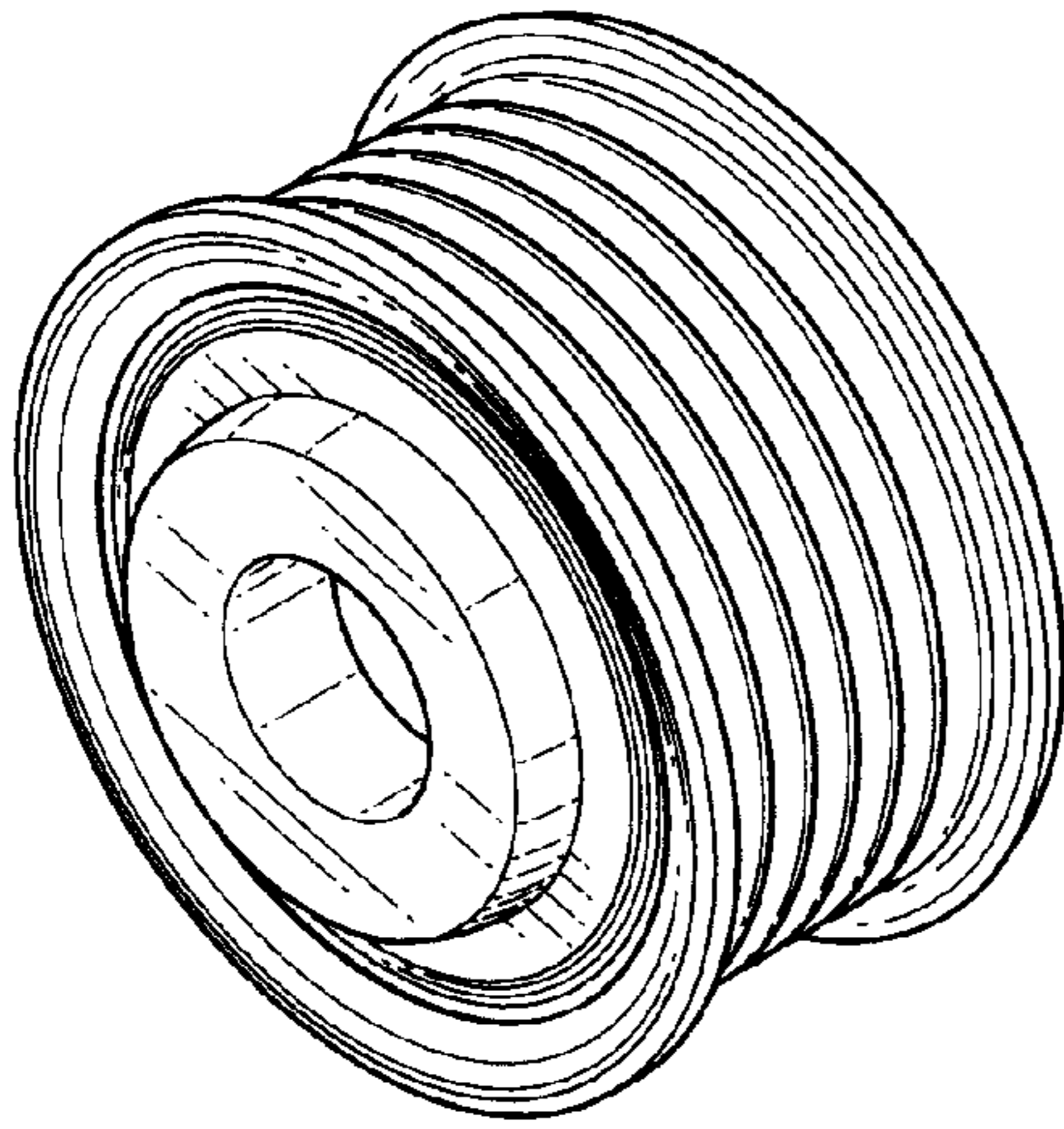


Fig. 3

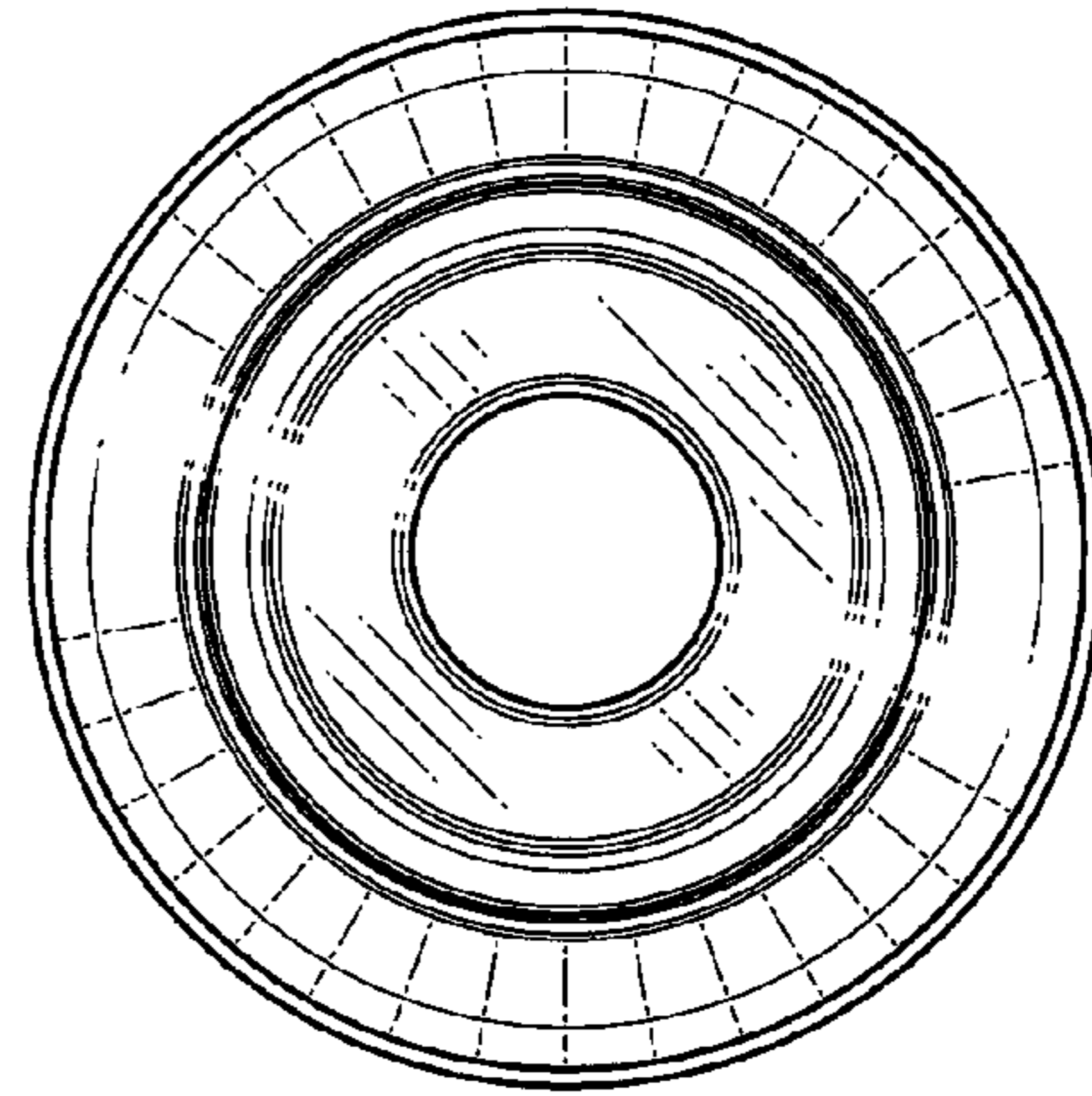


Fig. 2

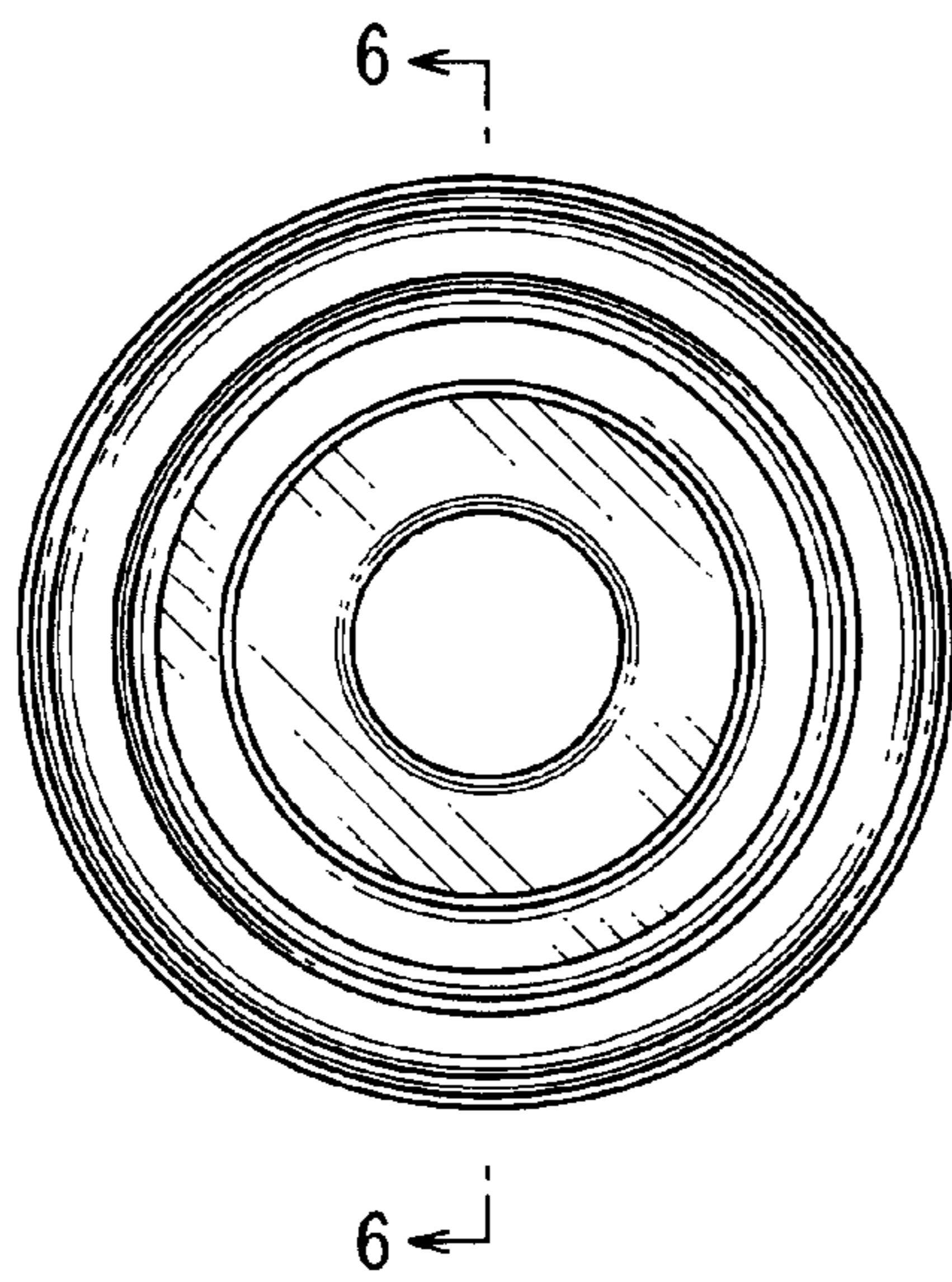


Fig. 4



Fig. 5

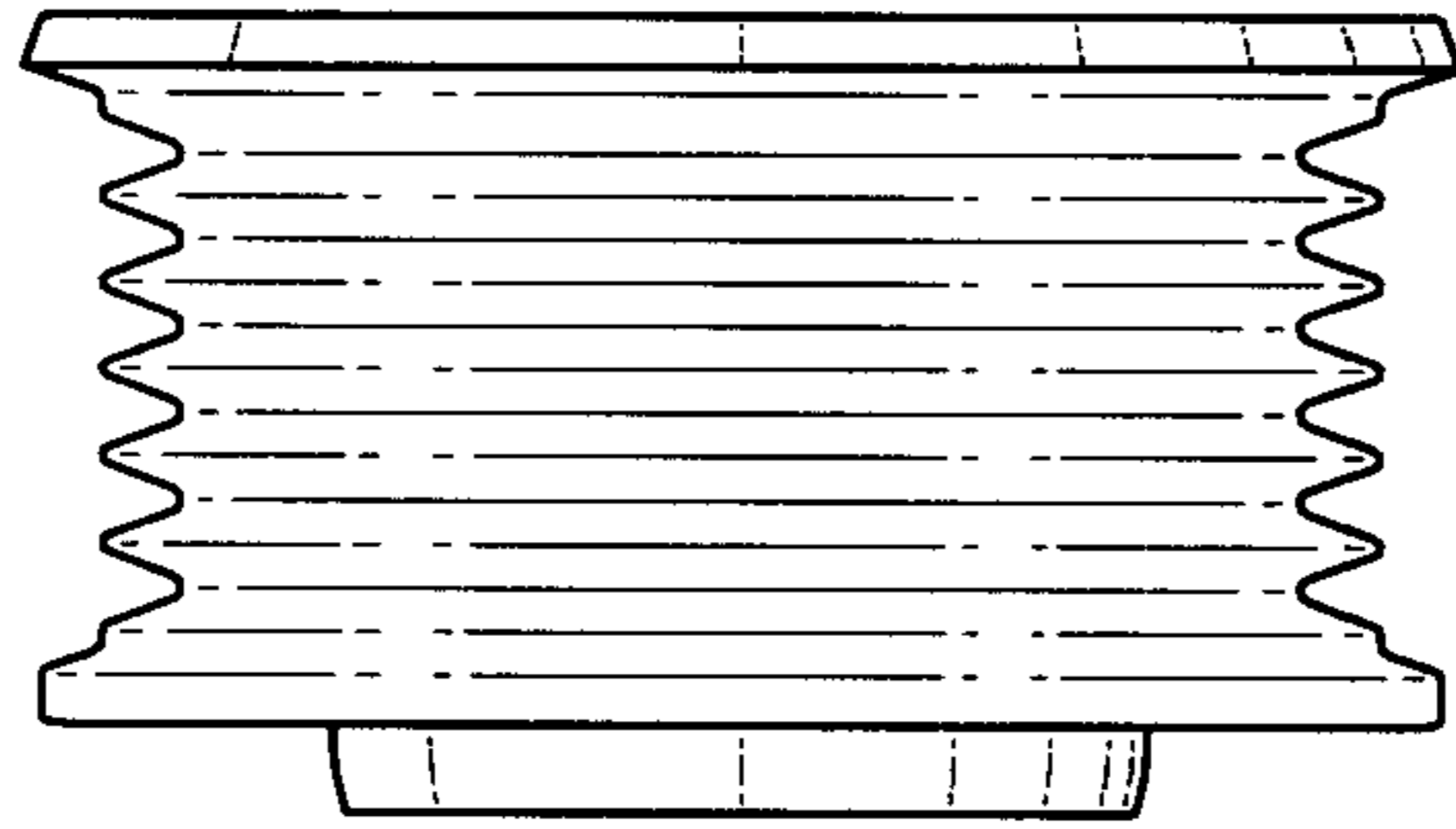


Fig. 6

