



US00D643700S

(12) **United States Design Patent**  
**Schultheiss et al.**

(10) **Patent No.:** **US D643,700 S**

(45) **Date of Patent:** **\*\* Aug. 23, 2011**

(54) **OSCILLATING POWER TOOL**

(75) Inventors: **Martin Schultheiss**, Schwaebisch Gmuend (DE); **Heinrich Henssler**, Schwaebisch Gmuend (DE)

(73) Assignee: **C. & E. Fein GmbH** (DE)

(\*\*) Term: **14 Years**

(21) Appl. No.: **29/354,746**

(22) Filed: **Jan. 28, 2010**

(30) **Foreign Application Priority Data**

Jul. 31, 2009 (EM) ..... 001156186

(51) **LOC (9) Cl.** ..... **08-03**

(52) **U.S. Cl.** ..... **D8/64**

(58) **Field of Classification Search** ..... D8/61, D8/62, 67, 69; 81/57, 57.11, 57.14, 57.26, 81/429, 464, 469; 173/2, 170, 176, 181

See application file for complete search history.

(56) **References Cited**

U.S. PATENT DOCUMENTS

D511,284 S 11/2005 Henssler et al.  
D559,639 S 1/2008 Henssler et al.  
D599,639 S 9/2009 Bradford et al.  
D602,756 S 10/2009 Henssler et al.

*Primary Examiner* — Austin Murphy

(74) *Attorney, Agent, or Firm* — St. Onge Steward Johnston & Reens LLC

(57) **CLAIM**

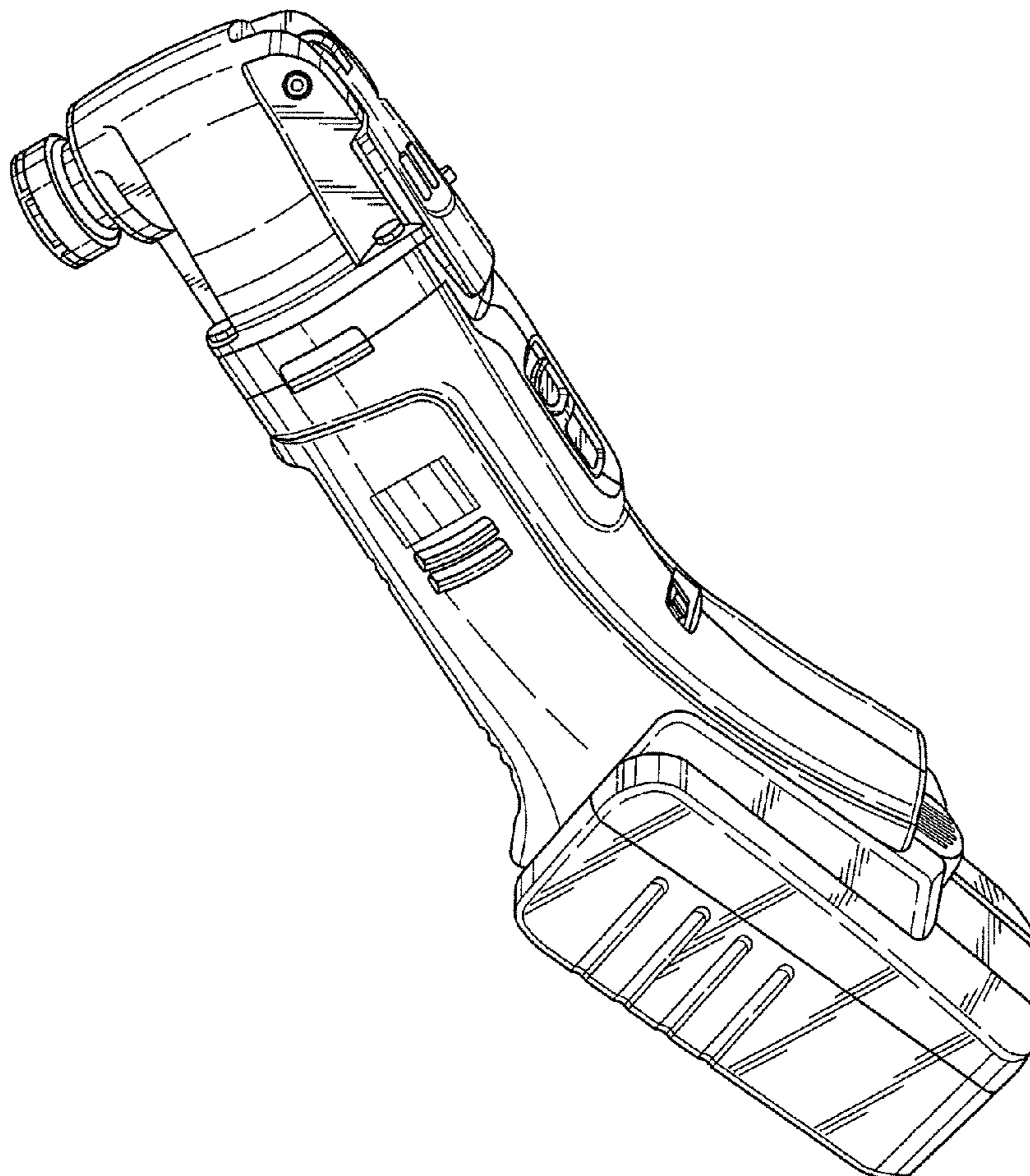
The ornamental design for an oscillating power tool, as shown and described.

**DESCRIPTION**

FIG. 1 is a left side perspective view of an oscillating power tool in accordance with the new design; FIG. 2 is a left side elevation view thereof; FIG. 3 is a front elevation view thereof; FIG. 4 is a right side elevation view thereof; FIG. 5 is a rear elevation view thereof; FIG. 6 is a top plan view thereof; and, FIG. 7 is a bottom plan view thereof.

The broken lines shown in the drawings represent unclaimed portions of the oscillating power tool and form no part of the claimed design.

**1 Claim, 6 Drawing Sheets**



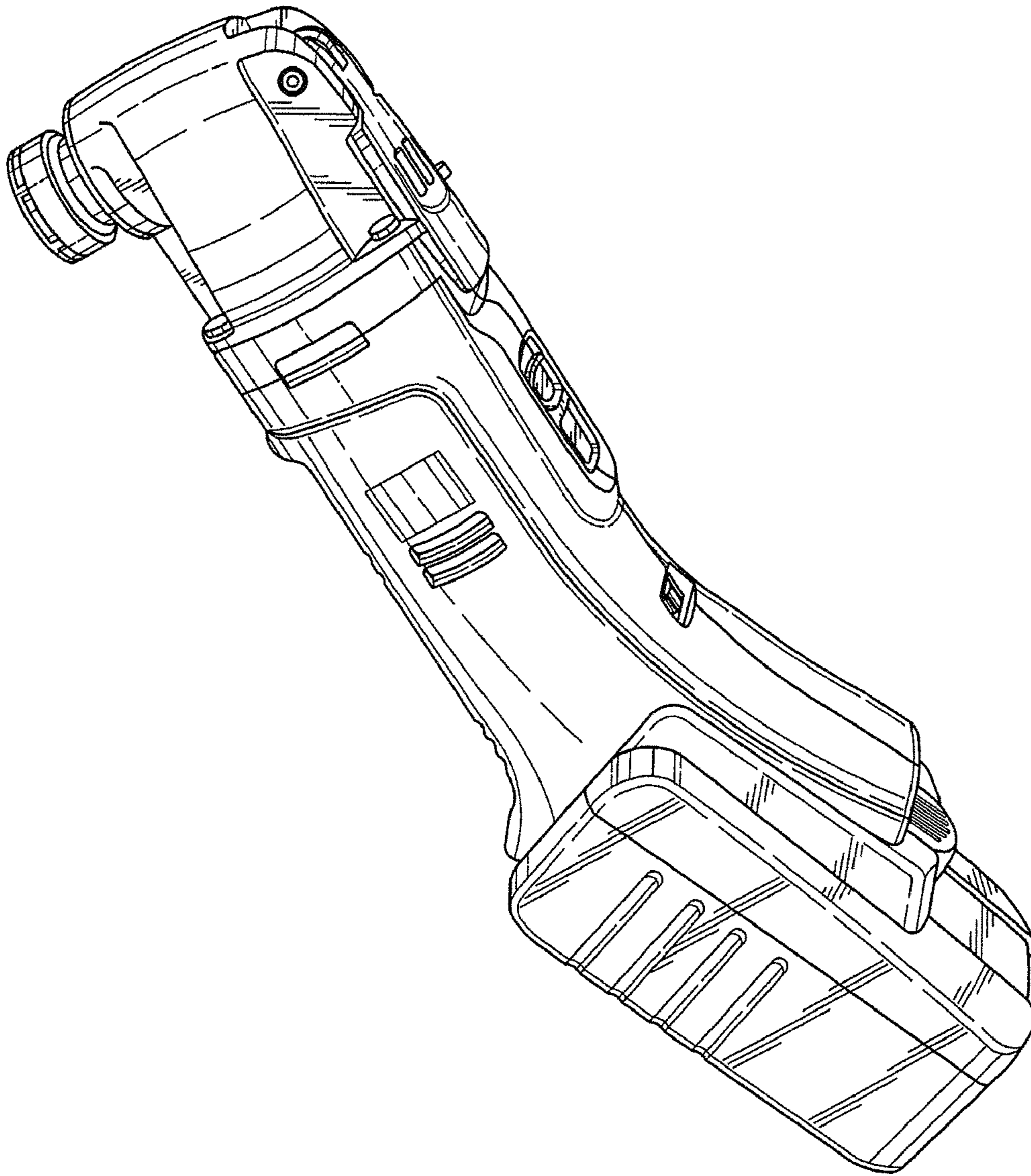


FIG. 1

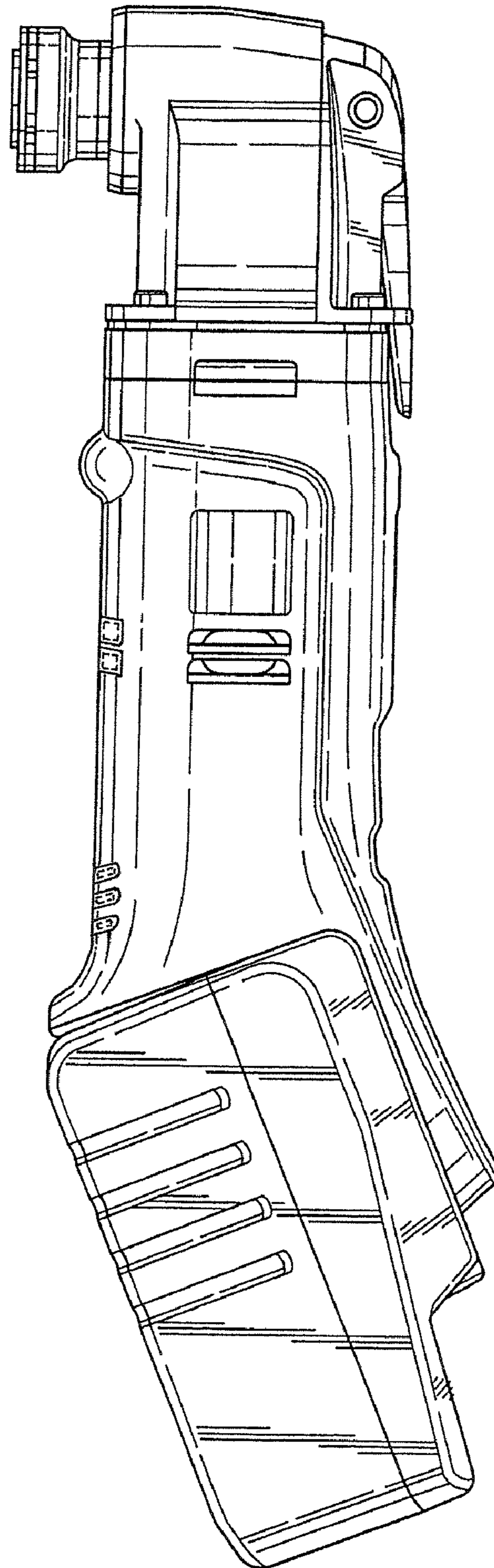


FIG. 2

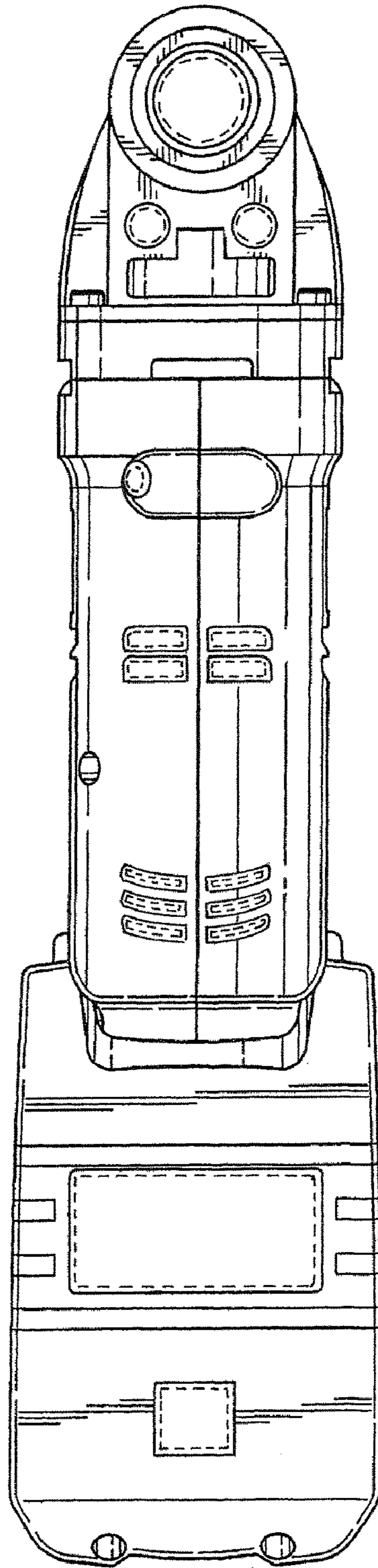


FIG. 3

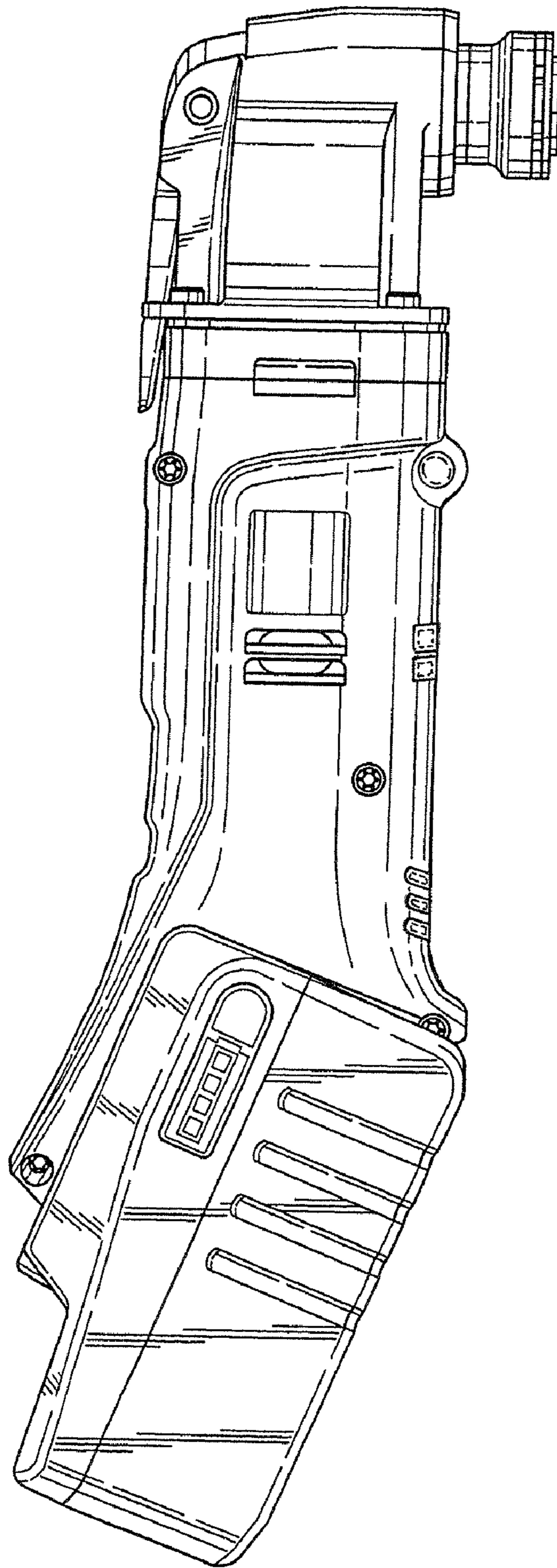


FIG. 4

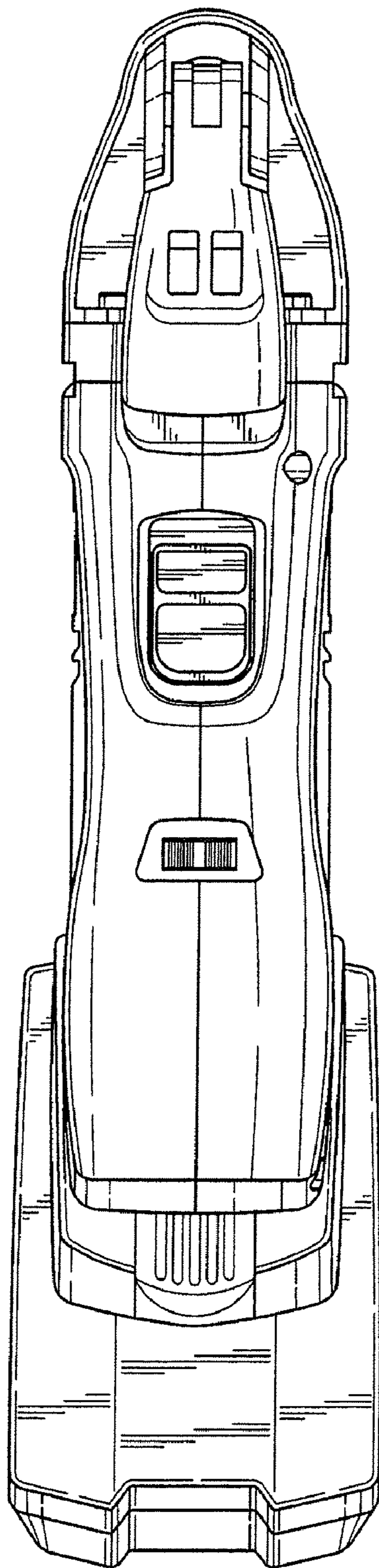


FIG. 5

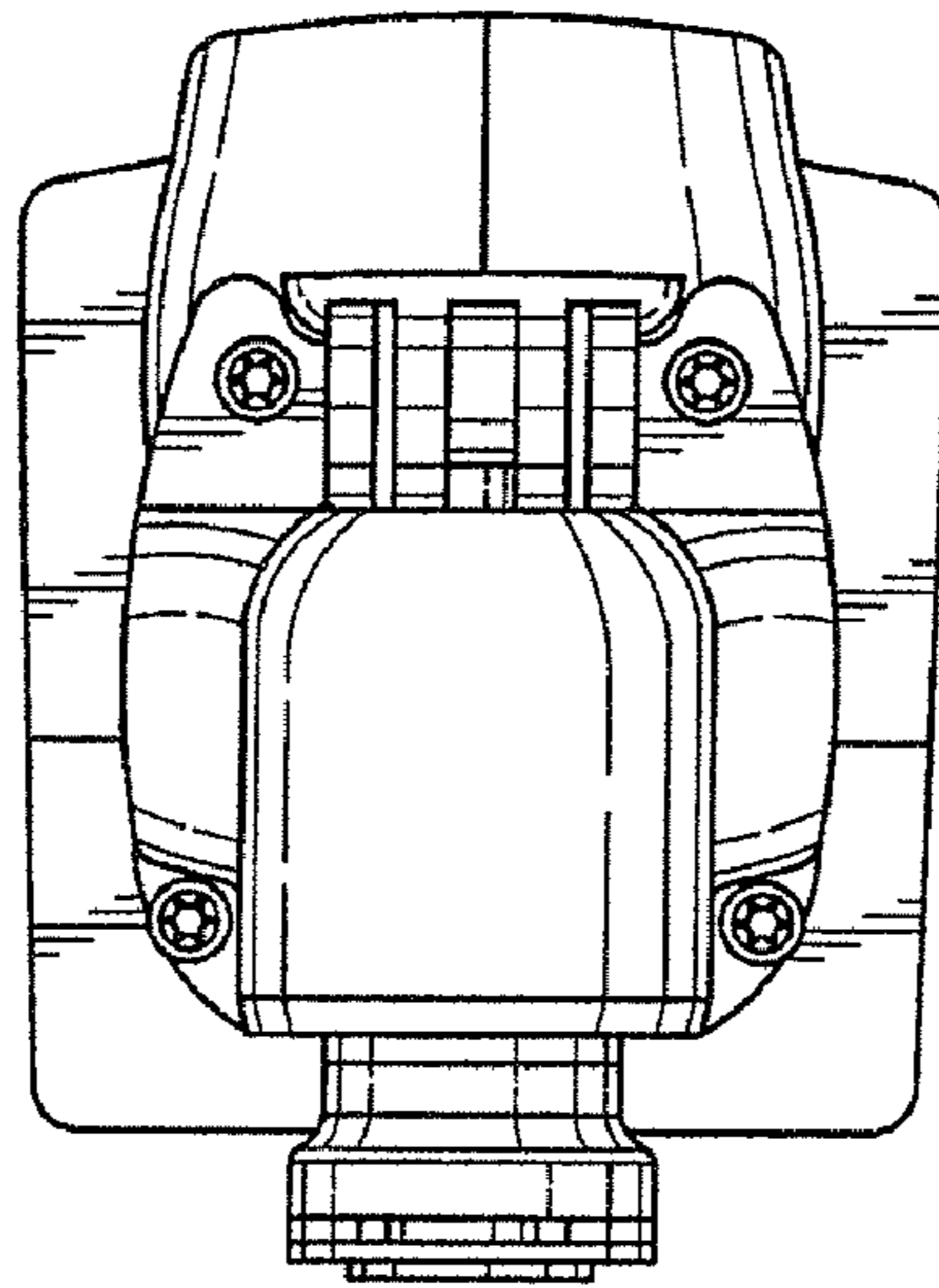


FIG. 6

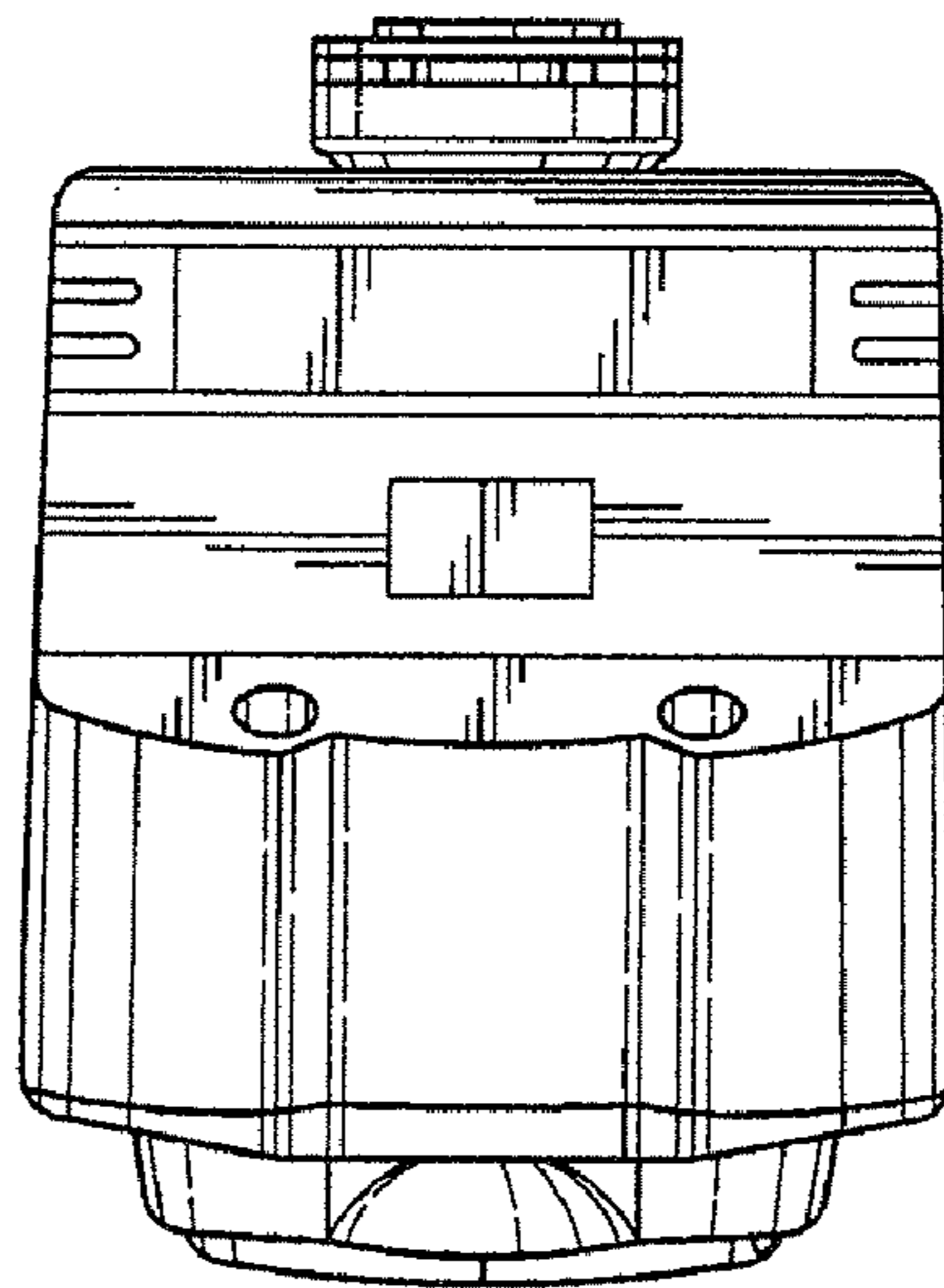


FIG. 7