



US00D643698S

(12) **United States Design Patent**
Guo

(10) **Patent No.:** **US D643,698 S**

(45) **Date of Patent:** **** Aug. 23, 2011**

(54) **CUTTING ASSEMBLY OF A TREE PRUNER**

(76) Inventor: **Wen-Li Guo**, Zhangzhou (CN)

(**) Term: **14 Years**

(21) Appl. No.: **29/368,159**

(22) Filed: **Aug. 18, 2010**

(51) **LOC (9) Cl.** **08-01**

(52) **U.S. Cl.** **D8/9**

(58) **Field of Classification Search** D8/7, 9,
D8/95; 30/144, 166.3, 296.1, 294, 122, 514,
30/517

See application file for complete search history.

D530,164 S * 10/2006 Farley D8/9
D554,451 S * 11/2007 Lin D8/9
D582,736 S * 12/2008 Ghirardi D8/9
7,937,839 B2 * 5/2011 Fidge et al. 30/135

* cited by examiner

Primary Examiner — Holly H. Baynham

Assistant Examiner — Sheryl Lane

(57) **CLAIM**

The ornamental design for a cutting assembly of a tree pruner, as shown.

DESCRIPTION

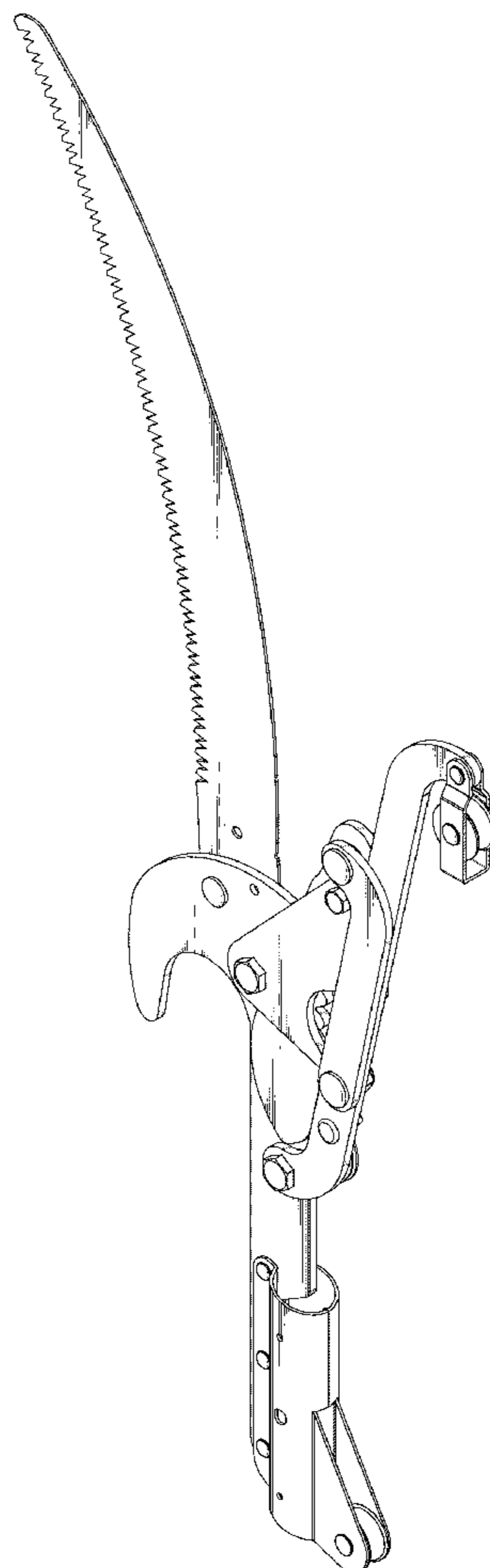
FIG. 1 is a perspective view of a cutting assembly of a tree pruner showing my new design;
FIG. 2 is a front elevational view thereof;
FIG. 3 is a rear elevational view thereof;
FIG. 4 is a left side view thereof;
FIG. 5 is a right side view of;
FIG. 6 is an enlarged top plan view thereof; and,
FIG. 7 is an enlarged bottom plan view thereof.

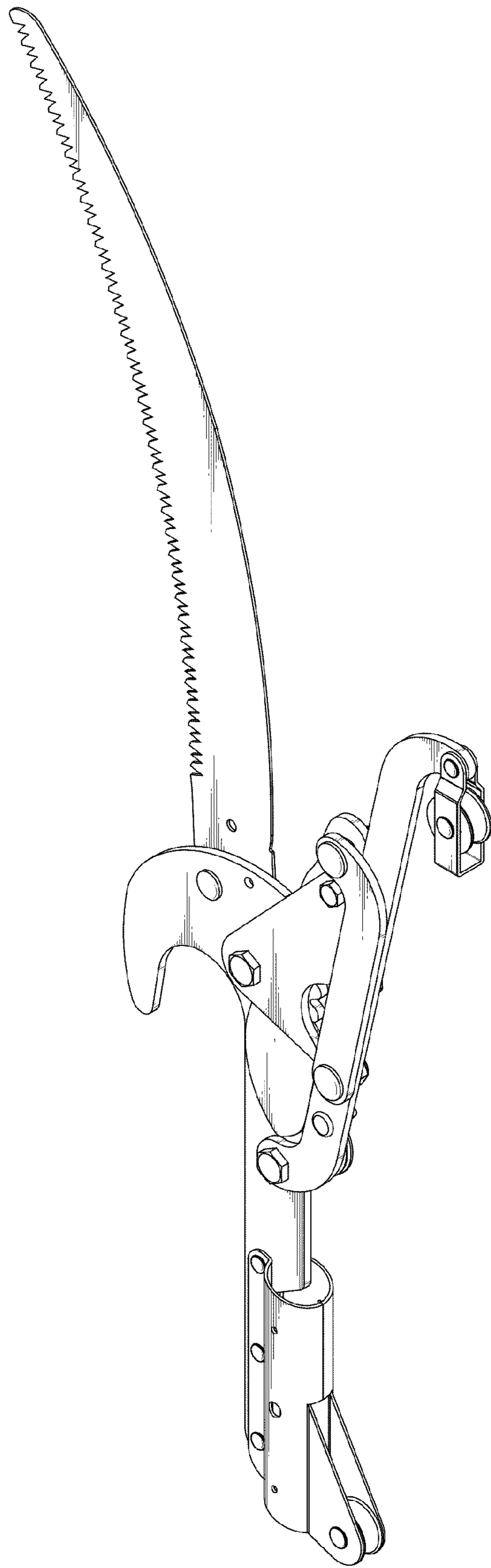
1 Claim, 7 Drawing Sheets

(56) **References Cited**

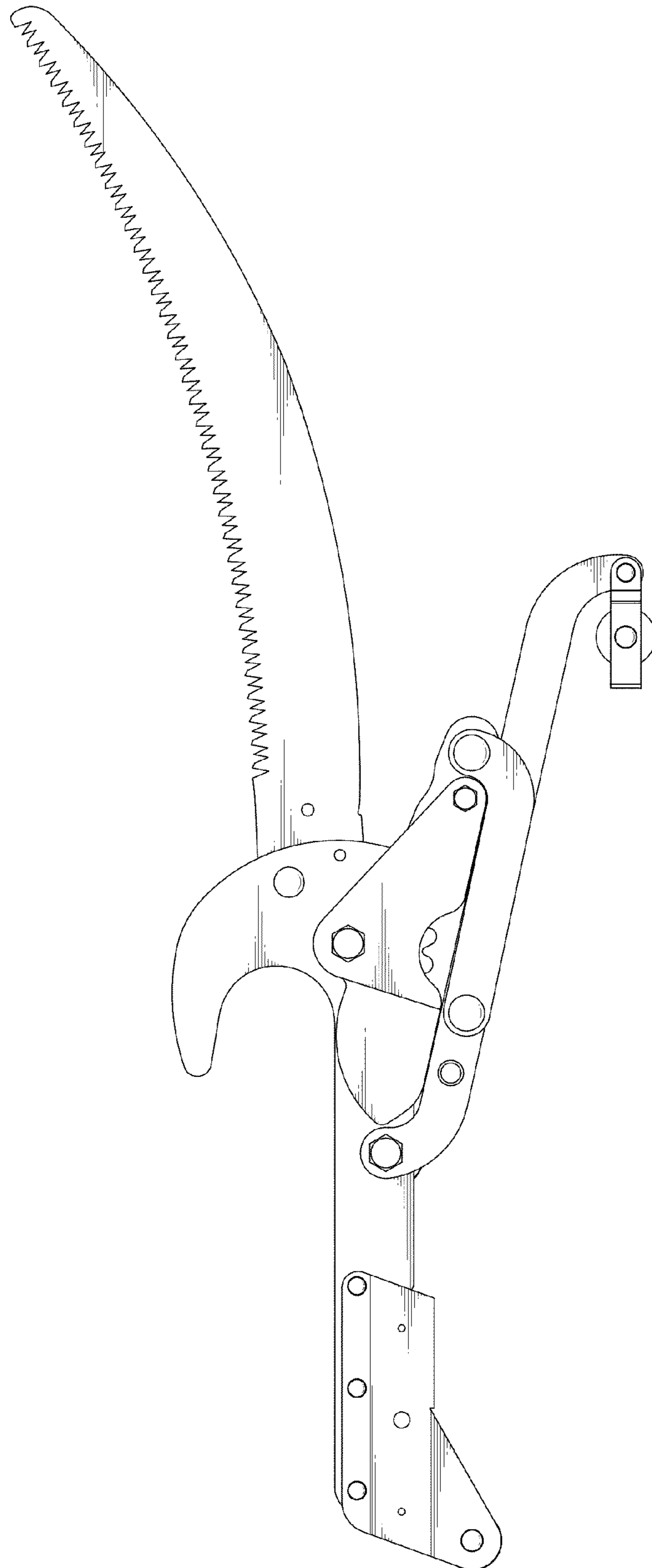
U.S. PATENT DOCUMENTS

3,949,440	A *	4/1976	Guerra	7/148
3,964,163	A *	6/1976	Russo	30/166.3
D444,684	S *	7/2001	Kimura	D8/9
6,385,852	B1 *	5/2002	Huang	30/249
D461,999	S *	8/2002	Nimmo	D8/7
6,671,963	B1 *	1/2004	Huang	30/122
D513,956	S *	1/2006	Tran	D8/95
D526,171	S *	8/2006	Farley	D8/9

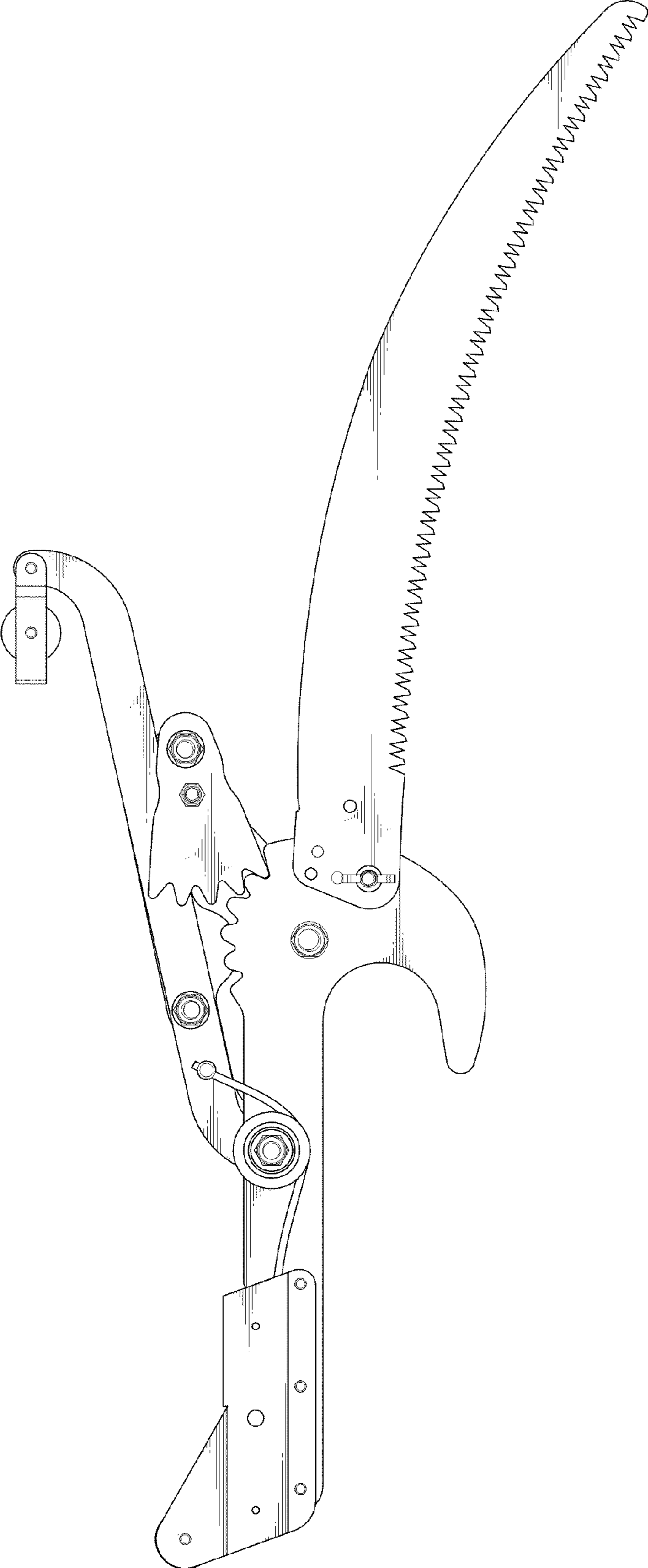




F I G . 1



F I G . 2



F I G . 3

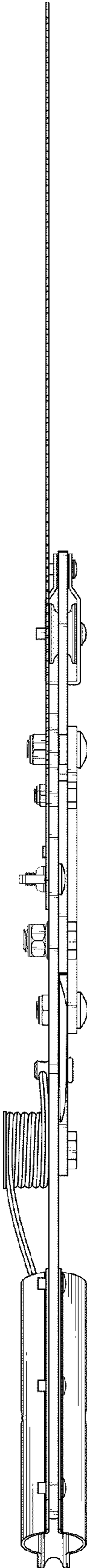
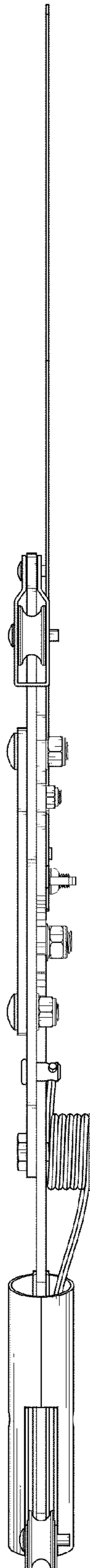


FIG. 4



F I G . 5

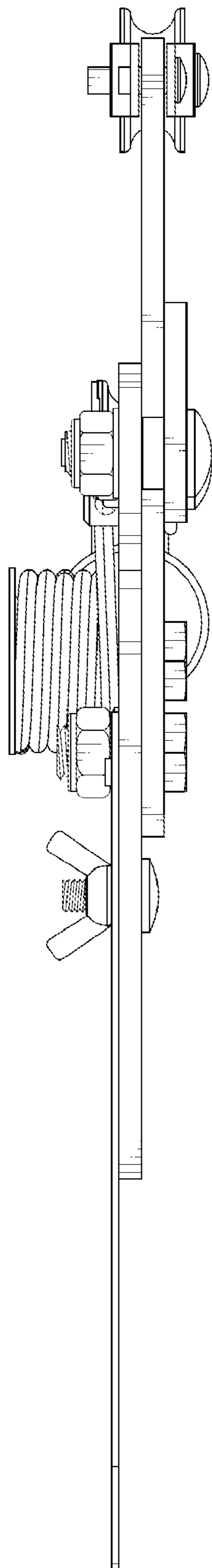


FIG. 6

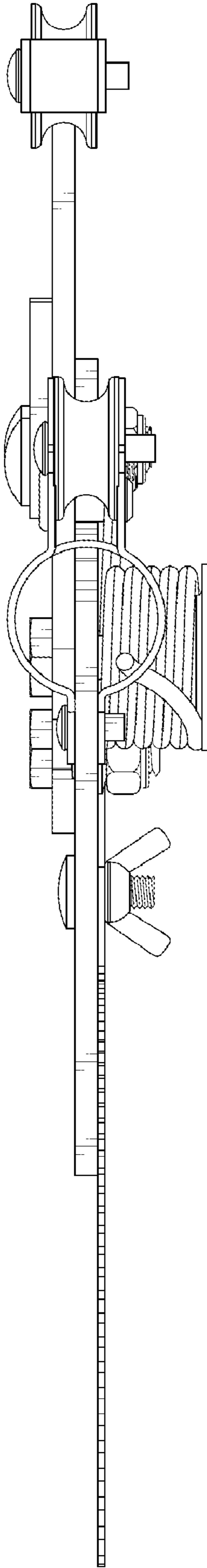


FIG. 7