



US00D643696S

(12) **United States Design Patent**
Goodman et al.

(10) **Patent No.:** **US D643,696 S**

(45) **Date of Patent:** **** Aug. 23, 2011**

(54) **UTENSIL HOLDER**

(75) Inventors: **Sheldon H. Goodman**, Solon, OH (US);
Omer I. Sazir, Cleveland, OH (US);
Elizabeth A. Cho, Strongsville, OH
(US)

(73) Assignee: **Spectrum Diversified Designs, Inc.**,
Streetsboro, OH (US)

(**) Term: **14 Years**

(21) Appl. No.: **29/367,892**

(22) Filed: **Aug. 14, 2010**

(51) **LOC (9) Cl.** **07-06**

(52) **U.S. Cl.** **D7/640**

(58) **Field of Classification Search** D7/600.1–600.4,
D7/637–641, 701–708, 691.1; D19/77, 65,
D19/75, 85; D6/457, 476; 211/69.1–69.9,
211/70.6, 70.7, 71.01, 41.2, 41.3, 41.7, 181.1,
211/60.1

See application file for complete search history.

(56) **References Cited**

U.S. PATENT DOCUMENTS

4,836,392 A * 6/1989 Constantino 211/181.1
D317,845 S * 7/1991 Wolff et al. D7/637

D397,000 S * 8/1998 Goodman et al. D7/637
D402,161 S * 12/1998 Fischer, Jr. D7/620
D433,287 S * 11/2000 Goodman et al. D7/640
D497,520 S * 10/2004 Goodman et al. D7/640
D539,614 S * 4/2007 Goodman et al. D7/637
D591,565 S * 5/2009 Goodman et al. D7/637

* cited by examiner

Primary Examiner — Terry Wallace

(74) *Attorney, Agent, or Firm* — Pearne & Gordon LLP

(57) **CLAIM**

The ornamental design for a utensil holder, as shown and described.

DESCRIPTION

FIG. 1 is a perspective view of a utensil holder showing our new design;

FIG. 2 is a top plan view thereof;

FIG. 3 is a fragmentary view, on an enlarged scale, of an alternative mesh material used to form the bottom wall denoted by the number 3 in FIG. 2;

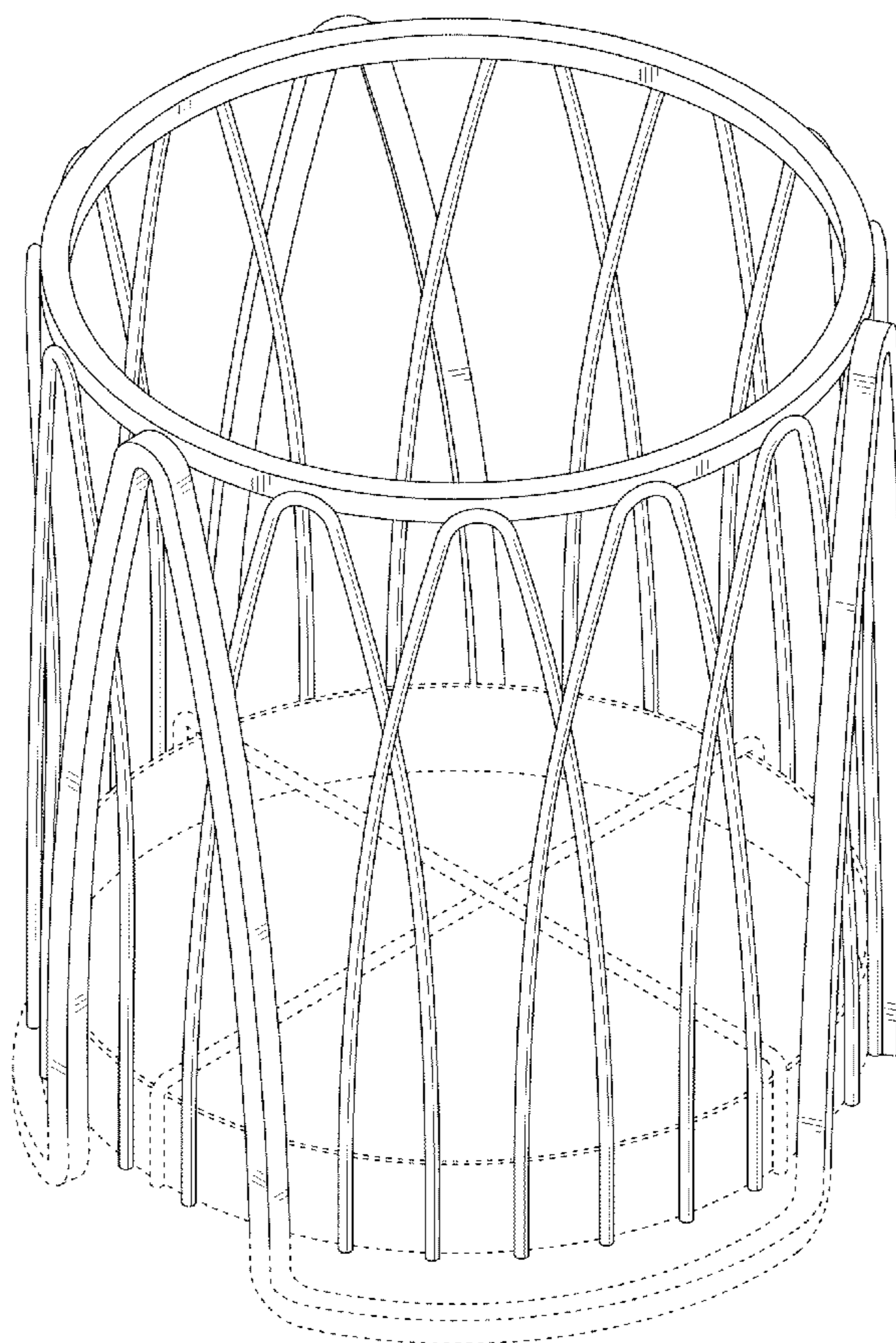
FIG. 4 is a front elevational view thereof;

FIG. 5 is a side elevational view thereof; and,

FIG. 6 is a bottom plan view thereof.

The dotted-line showing in the drawings illustrates environmental matter and forms no part of the claimed design.

1 Claim, 3 Drawing Sheets



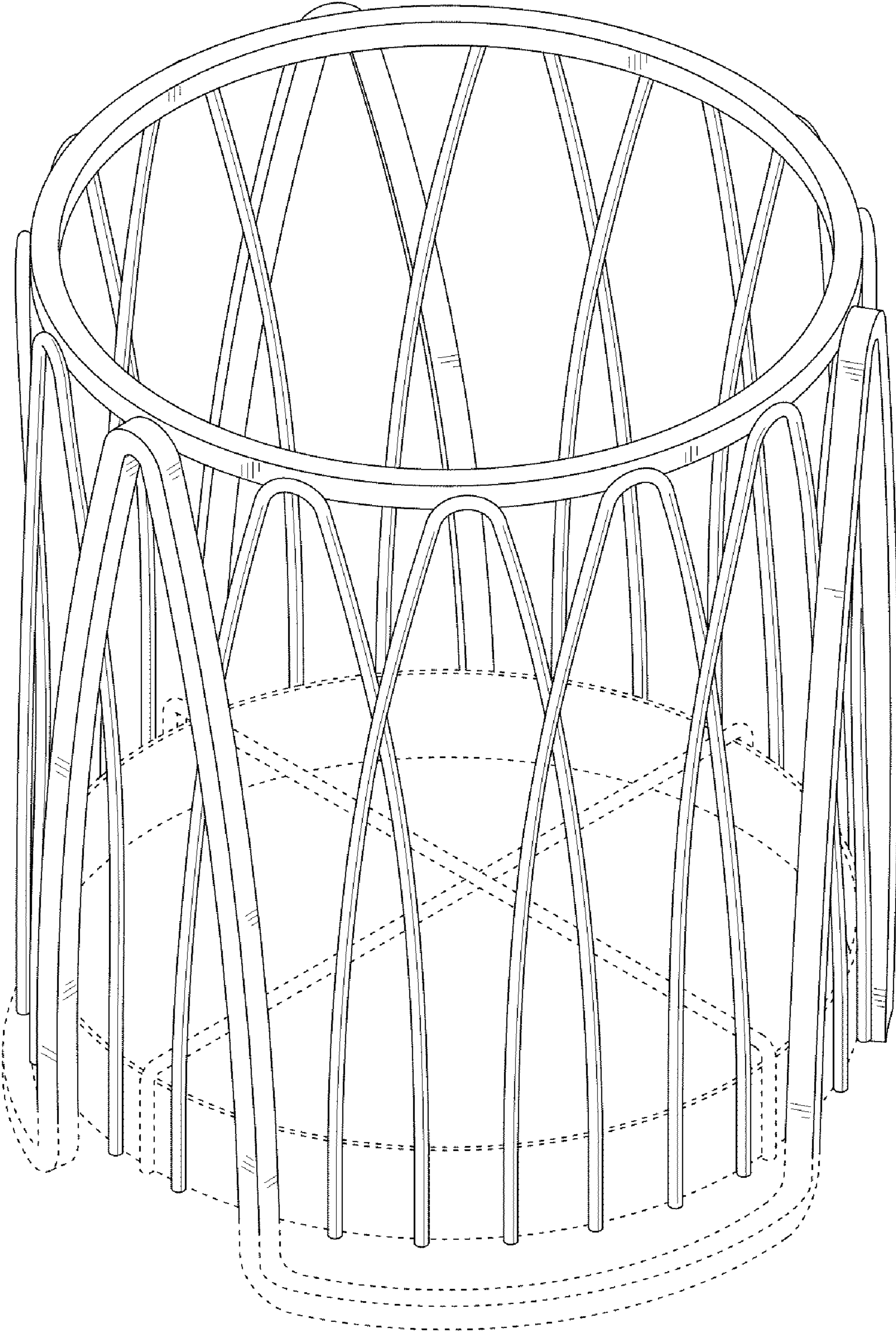


FIG. 1

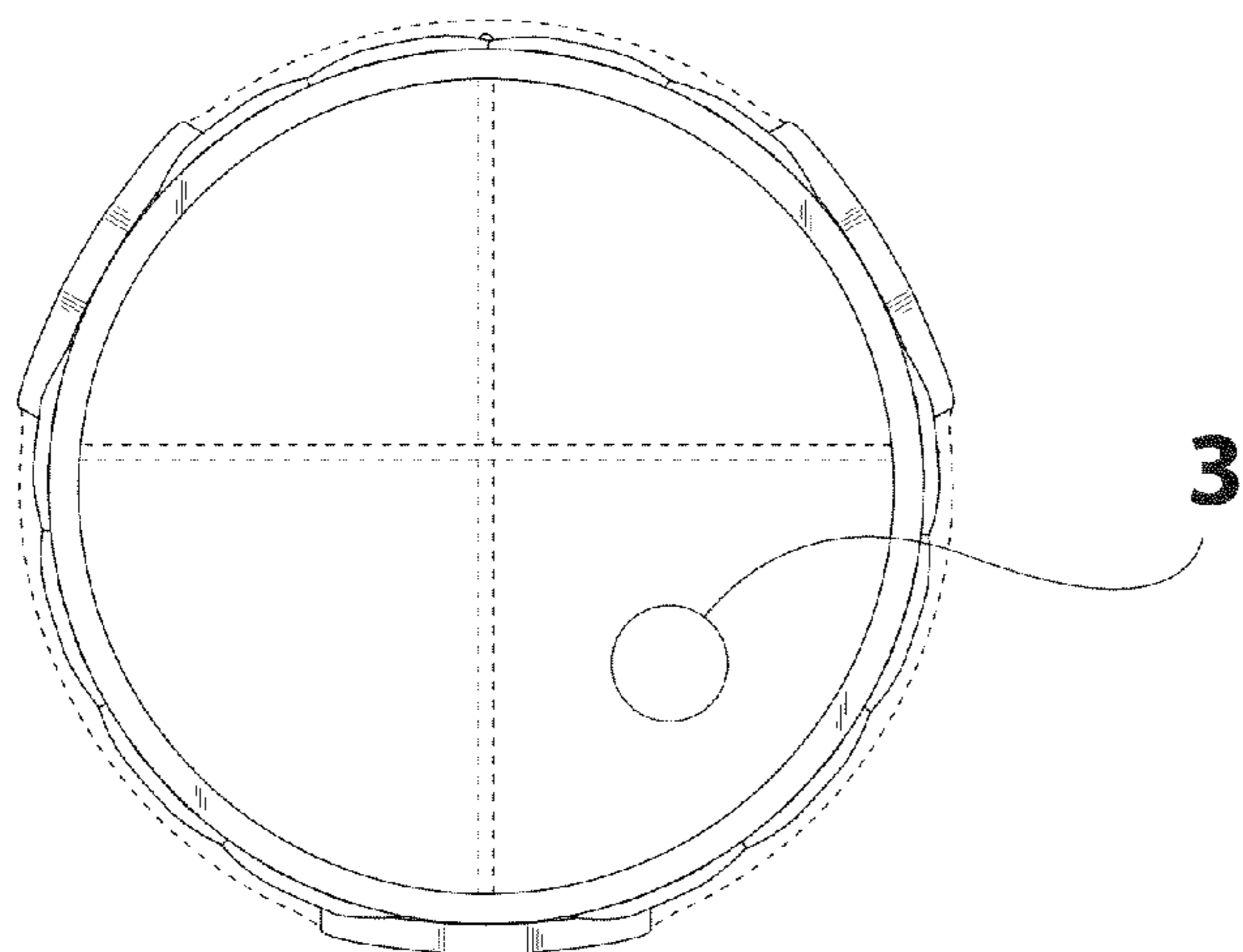


FIG. 2

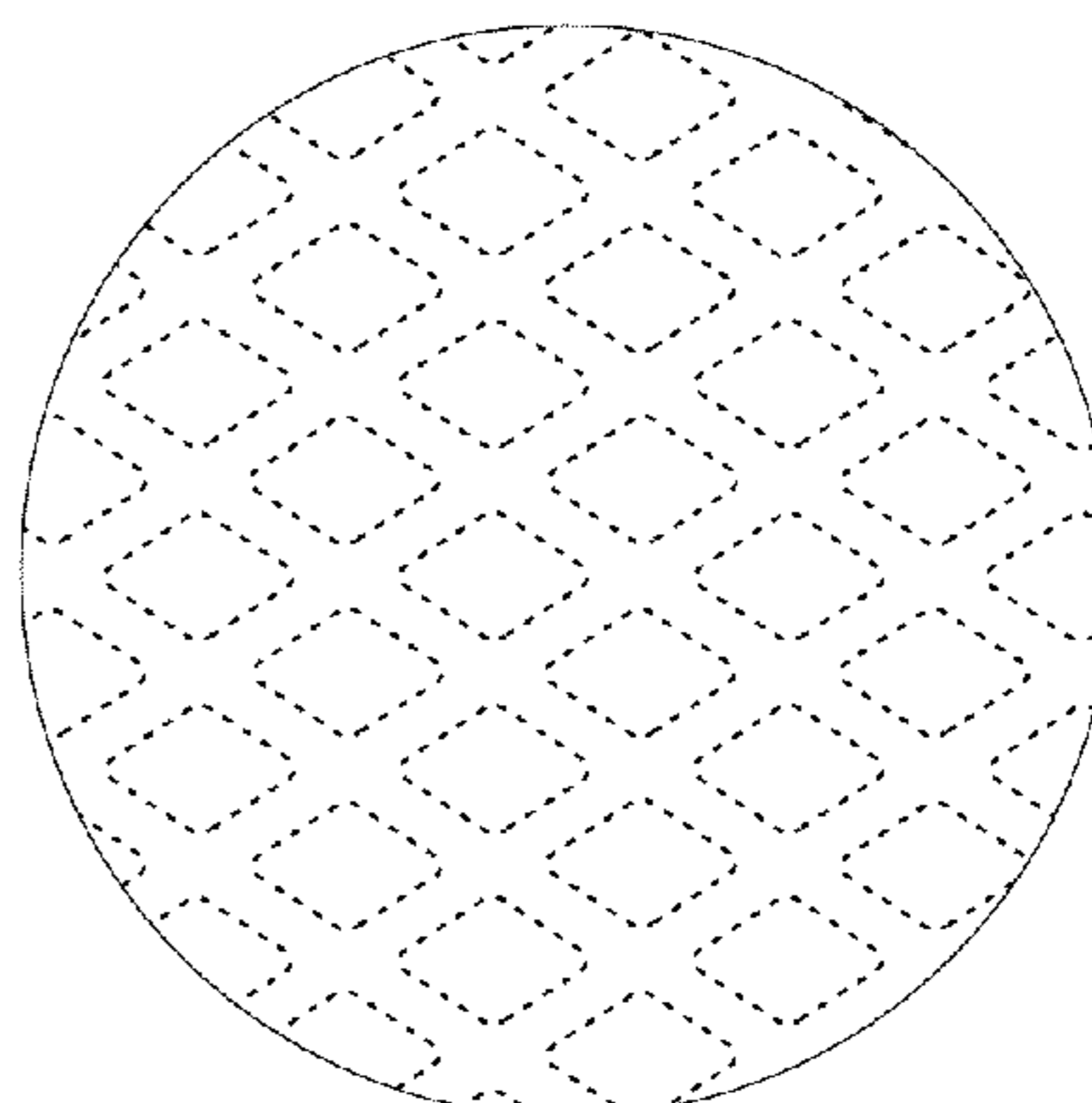


FIG. 3

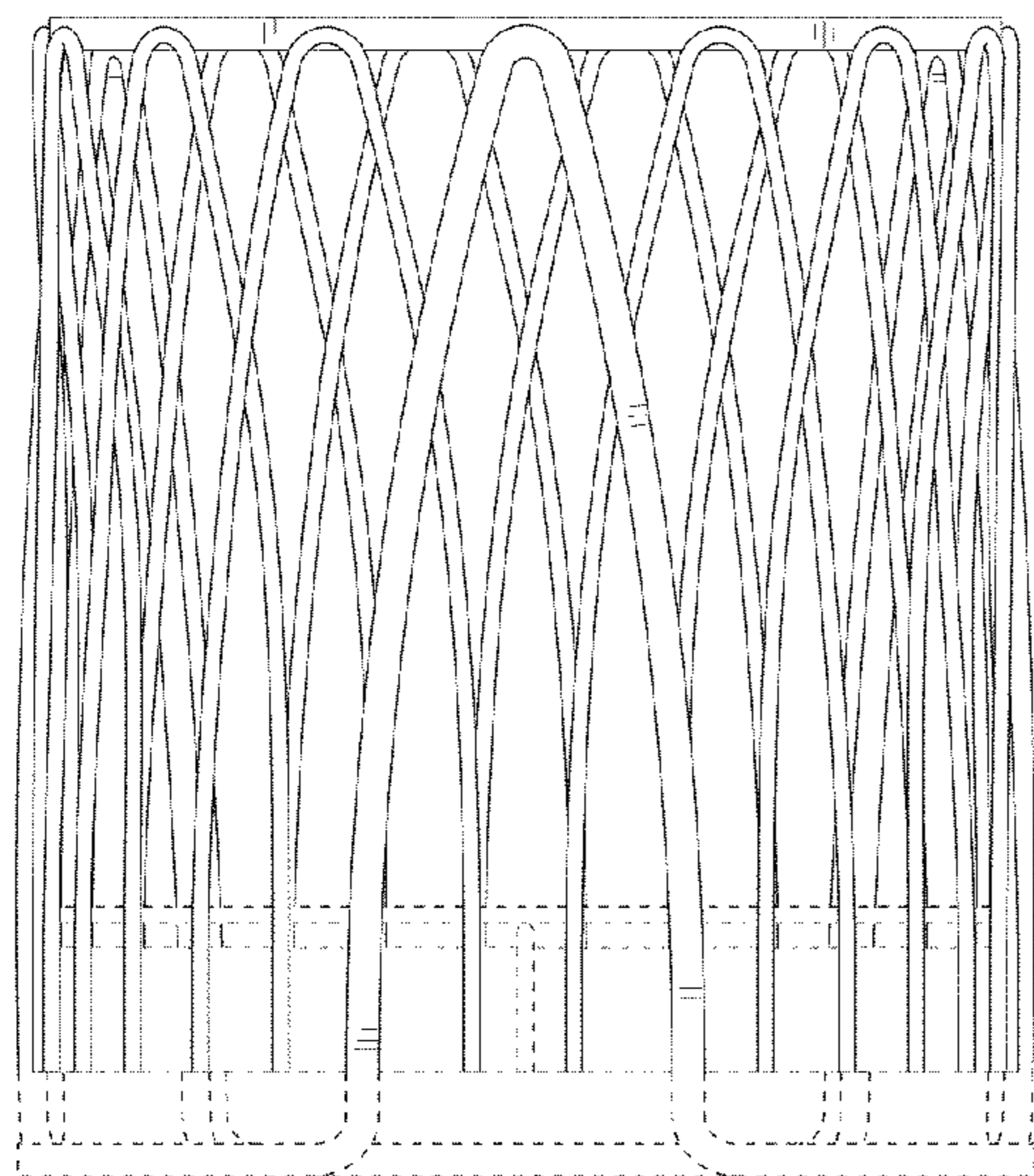


FIG. 4

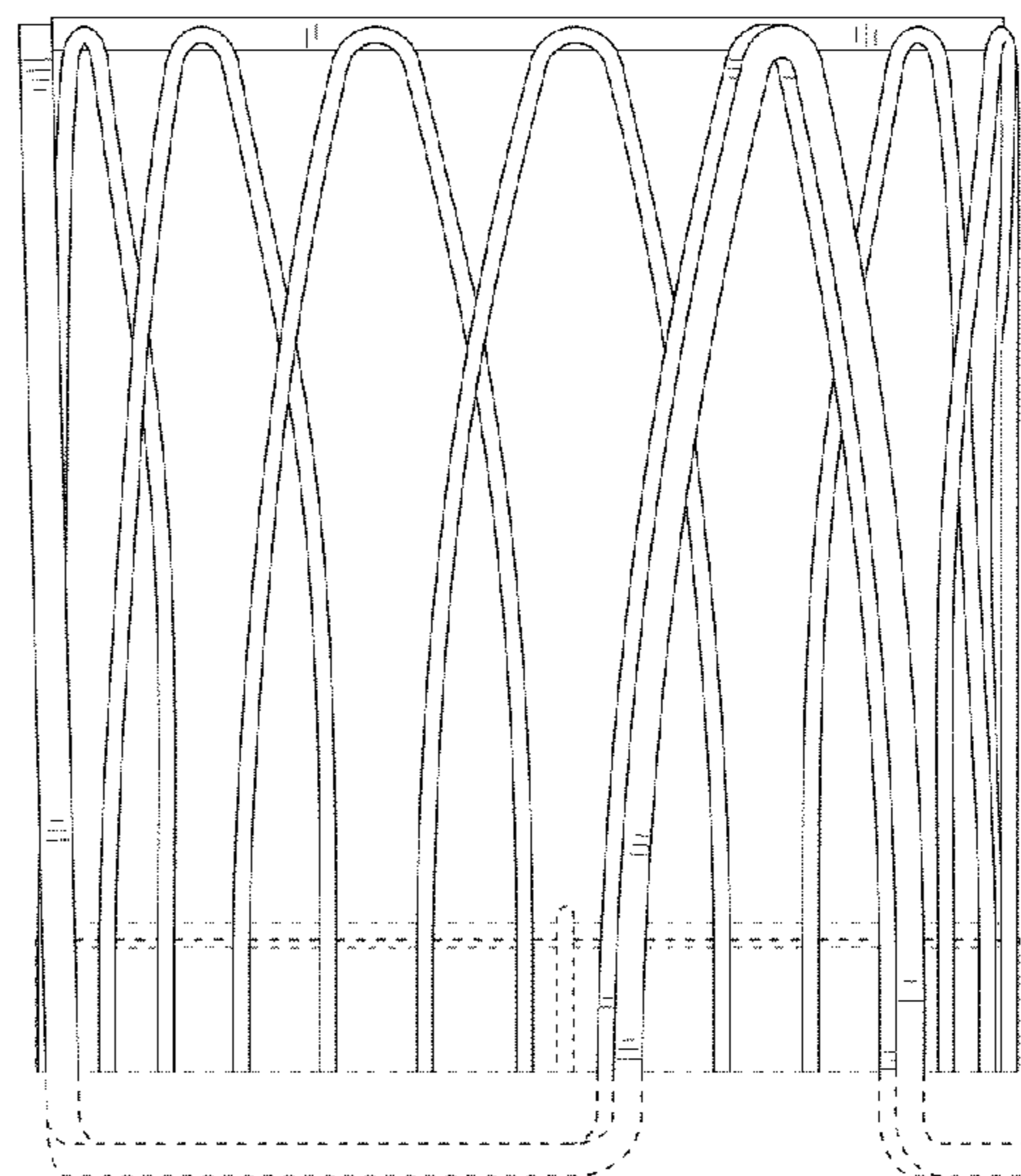


FIG. 5

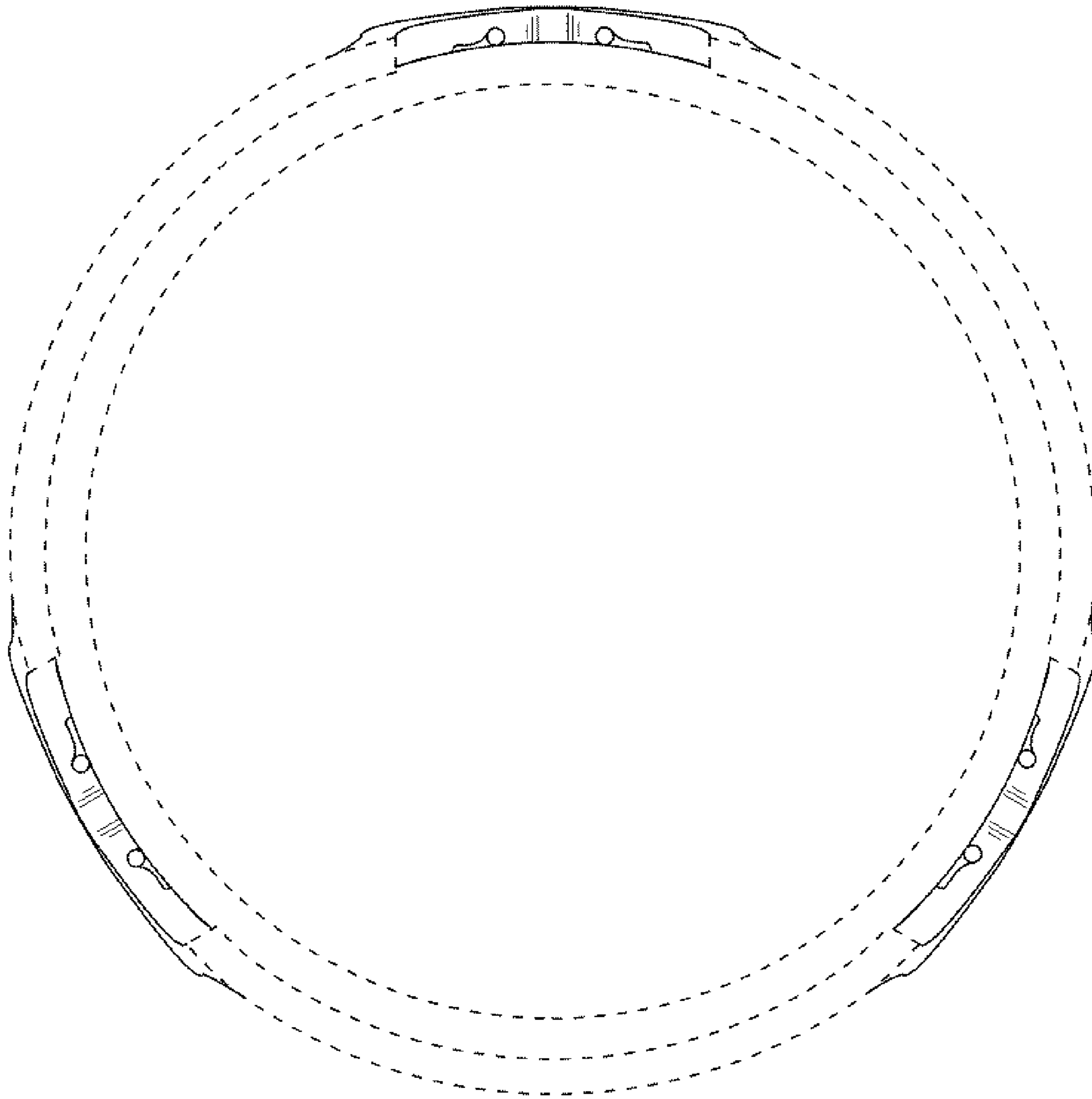


FIG. 6