



US00D643695S

(12) **United States Design Patent**  
**Goodman et al.**

(10) **Patent No.:** **US D643,695 S**

(45) **Date of Patent:** **\*\* Aug. 23, 2011**

(54) **NAPKIN TRAY**

(75) Inventors: **Sheldon H. Goodman**, Solon, OH (US);  
**Omer I. Sazir**, Cleveland, OH (US)

(73) Assignee: **Spectrum Diversified Designs, Inc.**,  
Streetsboro, OH (US)

(\*\*) Term: **14 Years**

(21) Appl. No.: **29/368,144**

(22) Filed: **Aug. 18, 2010**

(51) **LOC (9) Cl.** ..... **07-06**

(52) **U.S. Cl.** ..... **D7/631; D7/550.1**

(58) **Field of Classification Search** ..... D7/631,  
D7/632, 634, 601, 637, 704, 550.1; D6/458,  
D6/566, 449, 474, 462-467, 537; 211/181.1,  
211/85.31, 13.1; D19/65, 75, 78, 86, 90,  
D19/91

See application file for complete search history.

(56) **References Cited**

**U.S. PATENT DOCUMENTS**

D360,093 S \* 7/1995 Bigwood ..... D6/536  
D433,286 S \* 11/2000 Goodman et al. .... D7/631

D449,752 S \* 10/2001 Snell ..... D6/537  
D479,100 S \* 9/2003 Ancona ..... D7/631  
D484,008 S \* 12/2003 Goodman et al. .... D7/631  
D507,108 S \* 7/2005 Suero, Jr. .... D3/304  
D515,881 S \* 2/2006 Berger et al. .... D7/631  
D587,073 S \* 2/2009 Goodman et al. .... D7/631  
D592,016 S \* 5/2009 Goodman et al. .... D7/624.1

\* cited by examiner

*Primary Examiner* — Terry Wallace

(74) *Attorney, Agent, or Firm* — Pearne & Gordon LLP

(57) **CLAIM**

The ornamental design for a napkin tray, as shown and described.

**DESCRIPTION**

FIG. 1 is a perspective view of a napkin tray showing our new design;

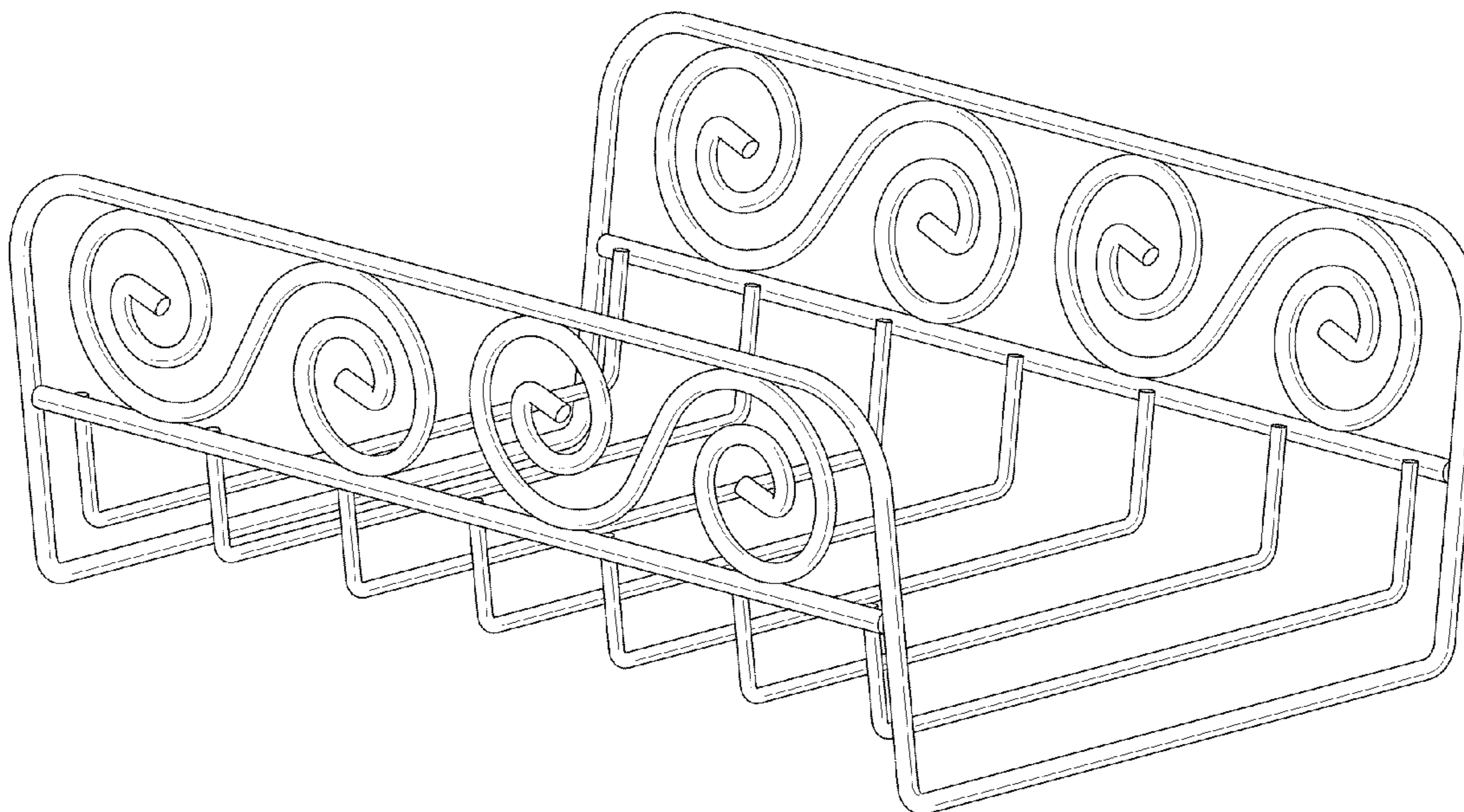
FIG. 2 is a top plan view thereof;

FIG. 3 is a front elevational view thereof;

FIG. 4 is a side elevational view thereof; and,

FIG. 5 is a bottom plan view thereof.

**1 Claim, 2 Drawing Sheets**



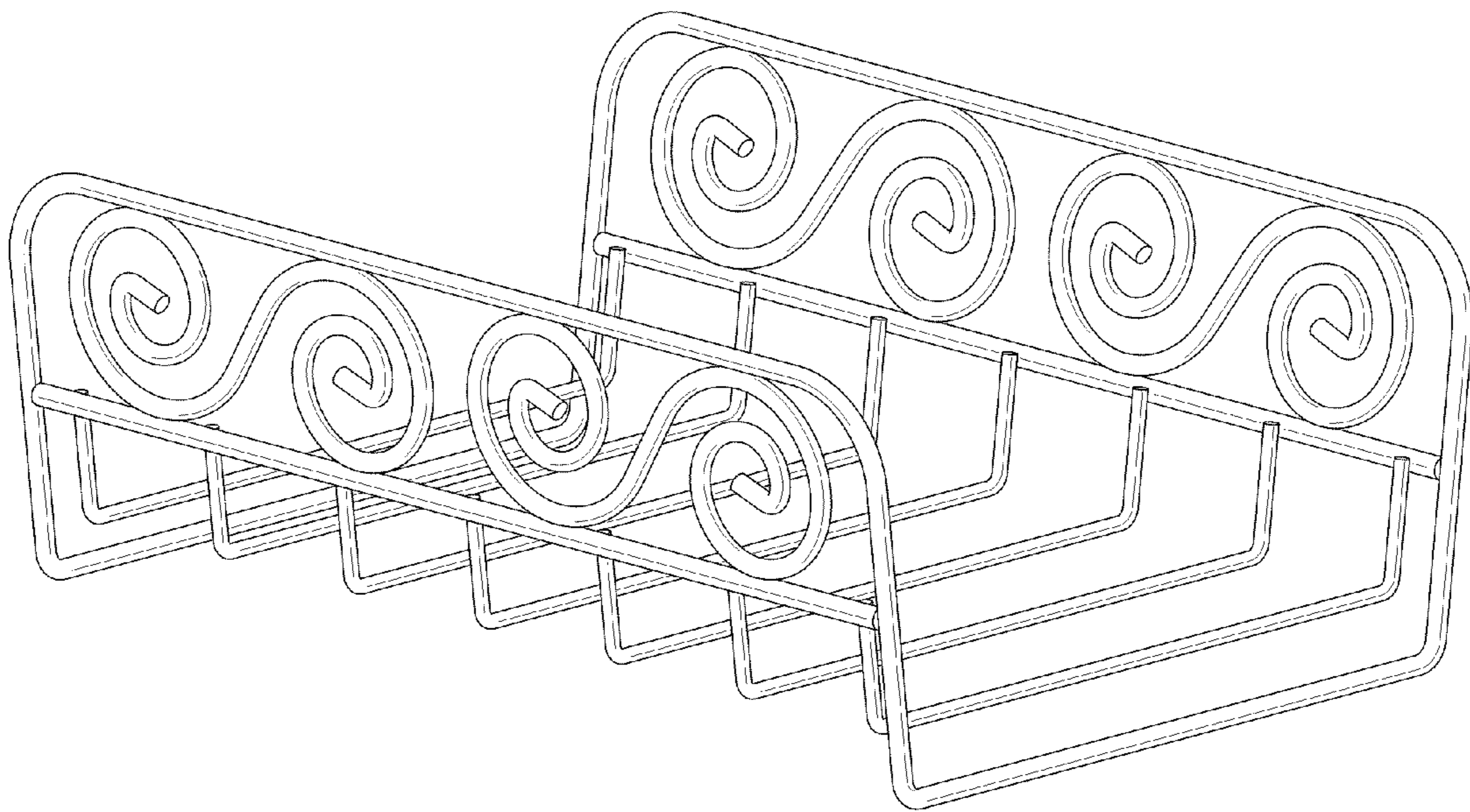
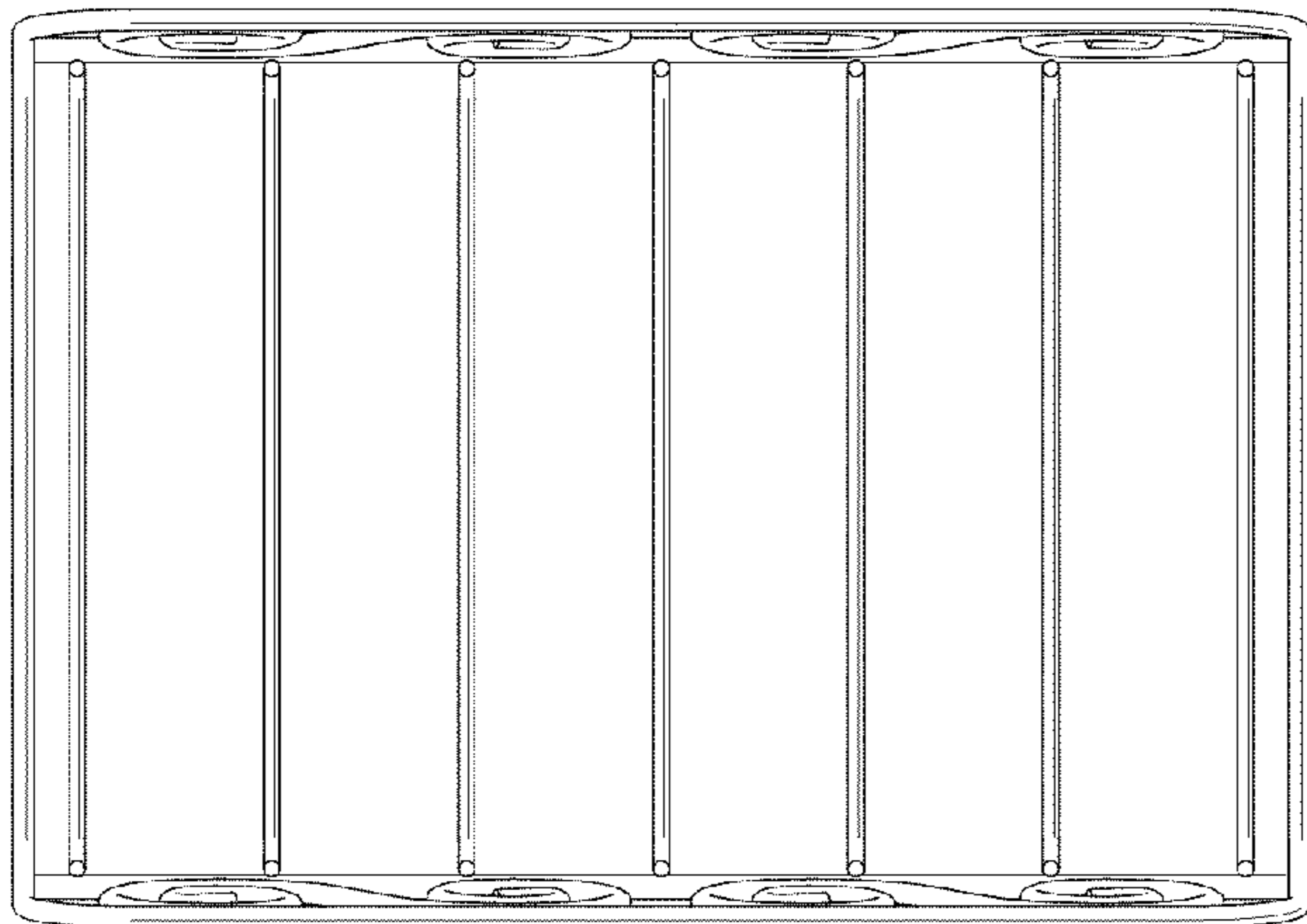
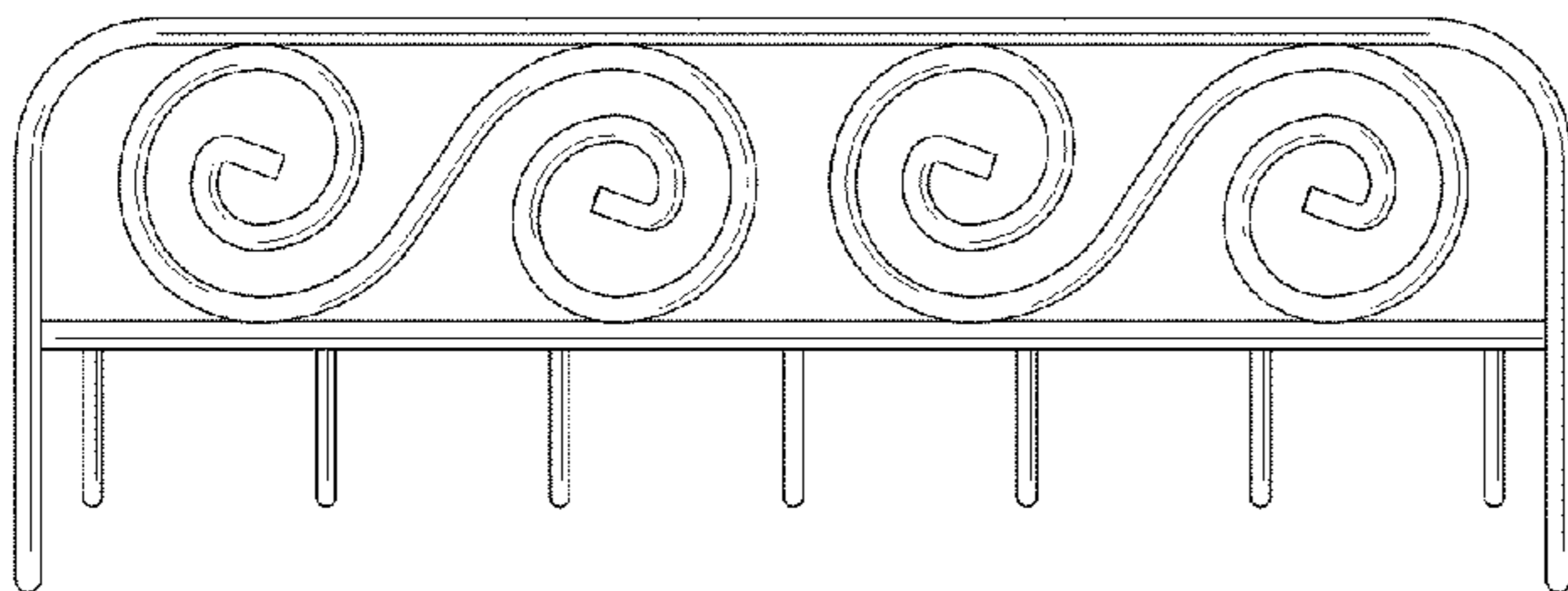


FIG. 1



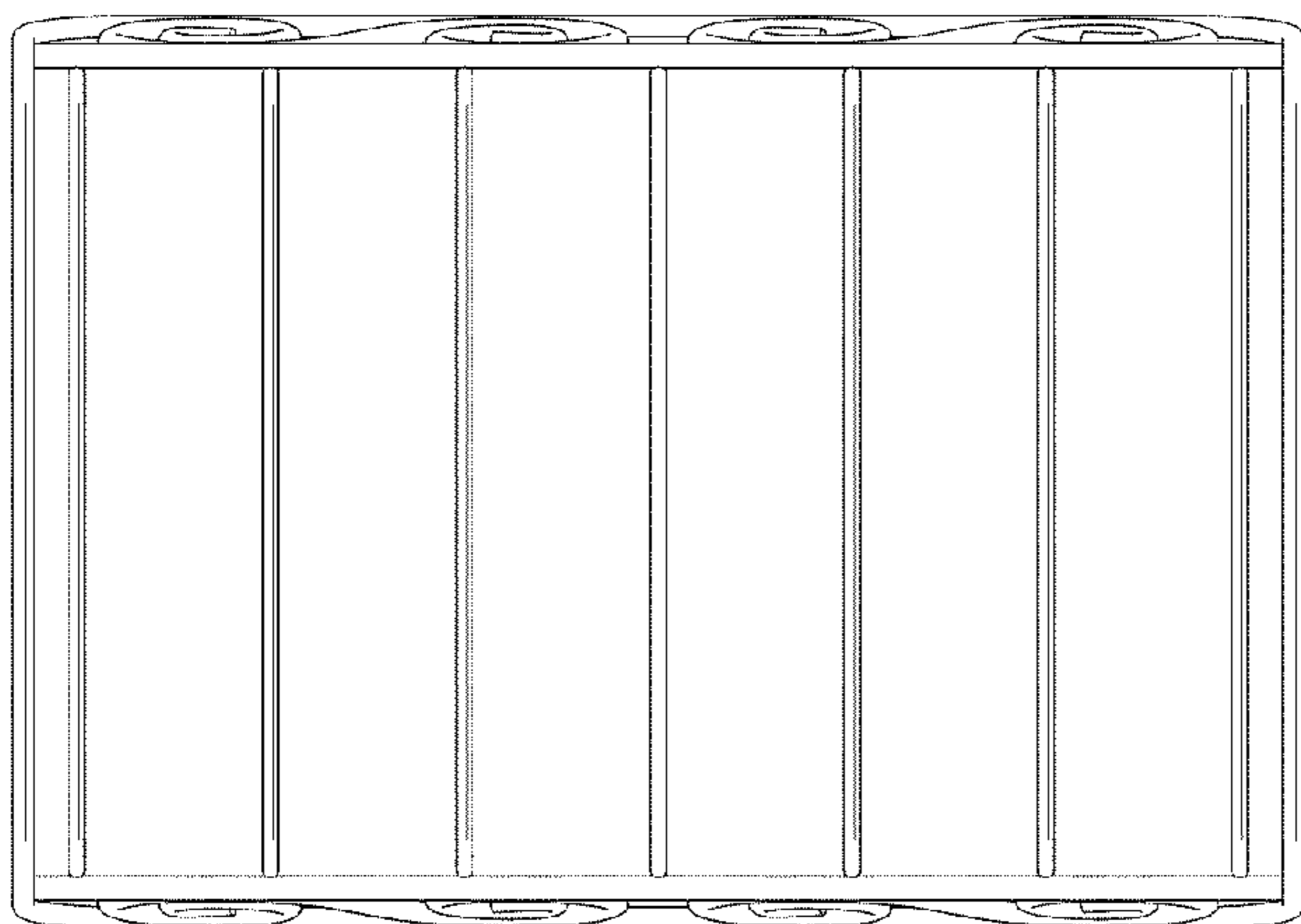
**FIG. 2**



**FIG. 3**



**FIG. 4**



**FIG. 5**