



US00D643694S

(12) **United States Design Patent**
Lu

(10) **Patent No.:** **US D643,694 S**

(45) **Date of Patent:** **** Aug. 23, 2011**

(54) **FOOD CONTAINER**

(75) Inventor: **Flying Lu**, Shanghai (CN)

(73) Assignee: **Pacific Market International, LLC**,
Seattle, WA (US)

(**) Term: **14 Years**

(21) Appl. No.: **29/375,773**

(22) Filed: **Sep. 27, 2010**

Related U.S. Application Data

(62) Division of application No. 29/354,640, filed on Jan. 27, 2010, now Pat. No. Des. 630,475.

(51) **LOC (9) Cl.** **07-01**

(52) **U.S. Cl.** **D7/629**; D9/443; D9/504; D9/745

(58) **Field of Classification Search** D7/500,
D7/538, 542-543, 545, 586-587, 601-603,
D7/612, 615, 629-630, 701, 705-708; D3/273,
D3/302; 220/573.1, 660, 669-673, 675,
220/912, 915.1; D9/500, 502-504, 424-425,
D9/428-429, 742, 745-746; D28/4, 9, 73,
D28/76, 83, 91

See application file for complete search history.

(56) **References Cited**

U.S. PATENT DOCUMENTS

2,913,140	A	11/1959	Vuilleminot	
D217,438	S	5/1970	Balbach et al.	
3,578,467	A	5/1971	Huber	
D254,180	S	2/1980	Morin	
D254,241	S	2/1980	Morin	
D273,553	S	4/1984	Bovet	
D276,684	S	12/1984	Sublett	
D336,817	S	6/1993	Wilcox, Jr.	
D412,373	S *	7/1999	Krawec et al.	D27/190
D479,951	S	9/2003	Segura	
D530,218	S *	10/2006	Burkemper	D9/655
D554,865	S	11/2007	Roesler	

D558,451	S *	1/2008	Roesler	D3/302
D558,978	S	1/2008	Roesler	
D583,200	S *	12/2008	Moran	D7/709
D587,572	S *	3/2009	Sanders	D9/443
D612,235	S	3/2010	Cresswell et al.	
D612,240	S	3/2010	Cresswell et al.	
D630,475	S *	1/2011	Lu	D7/629

* cited by examiner

Primary Examiner — Ian Simmons

Assistant Examiner — Dana L Sipos

(74) *Attorney, Agent, or Firm* — Davis Wright Tremaine
LLP; George C. Rondeau, Jr.

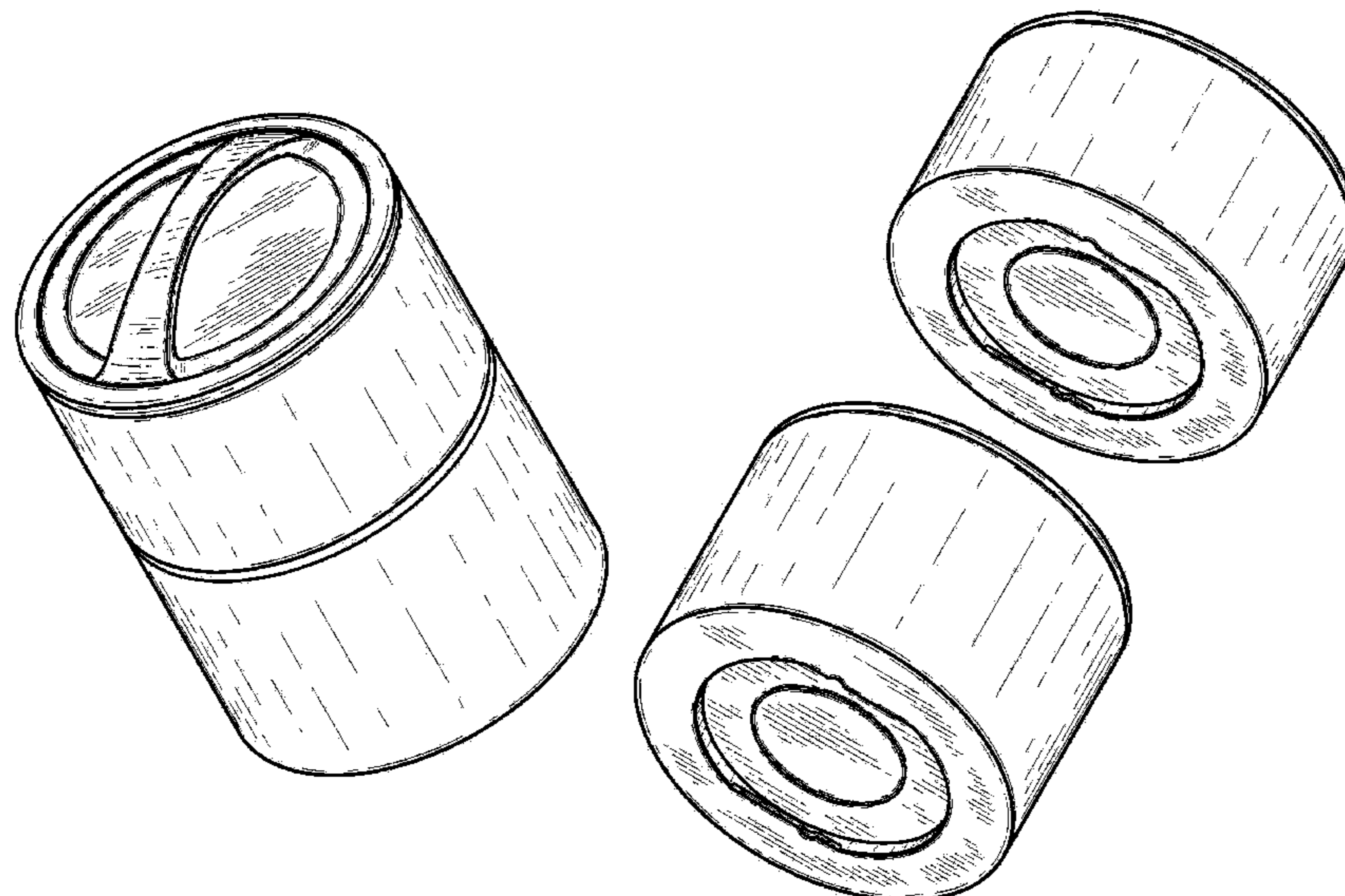
(57) **CLAIM**

The ornamental design for a food container, as shown and described.

DESCRIPTION

FIG. 1 is a top perspective view of a food container showing my new design;
 FIG. 2 is a bottom perspective view thereof;
 FIG. 3 is a left side elevation view thereof, the right side elevation view being identical;
 FIG. 4 is a rear elevation view thereof, the front elevation view being identical;
 FIG. 5 is a top plan view thereof;
 FIG. 6 is a bottom plan view thereof;
 FIG. 7 is an exploded top perspective view of a modified embodiment of the design shown in FIGS. 1 through 6;
 FIG. 8 is an exploded bottom perspective view thereof;
 FIG. 9 is an exploded left side elevation view thereof, the right side elevation view being identical;
 FIG. 10 is an exploded rear elevation view thereof, the front elevation view being identical;
 FIG. 11 is a top plan view thereof; and,
 FIG. 12 is a bottom plan view thereof.
 The broken lines represent portions of the food container that form no part of the claim.

1 Claim, 10 Drawing Sheets



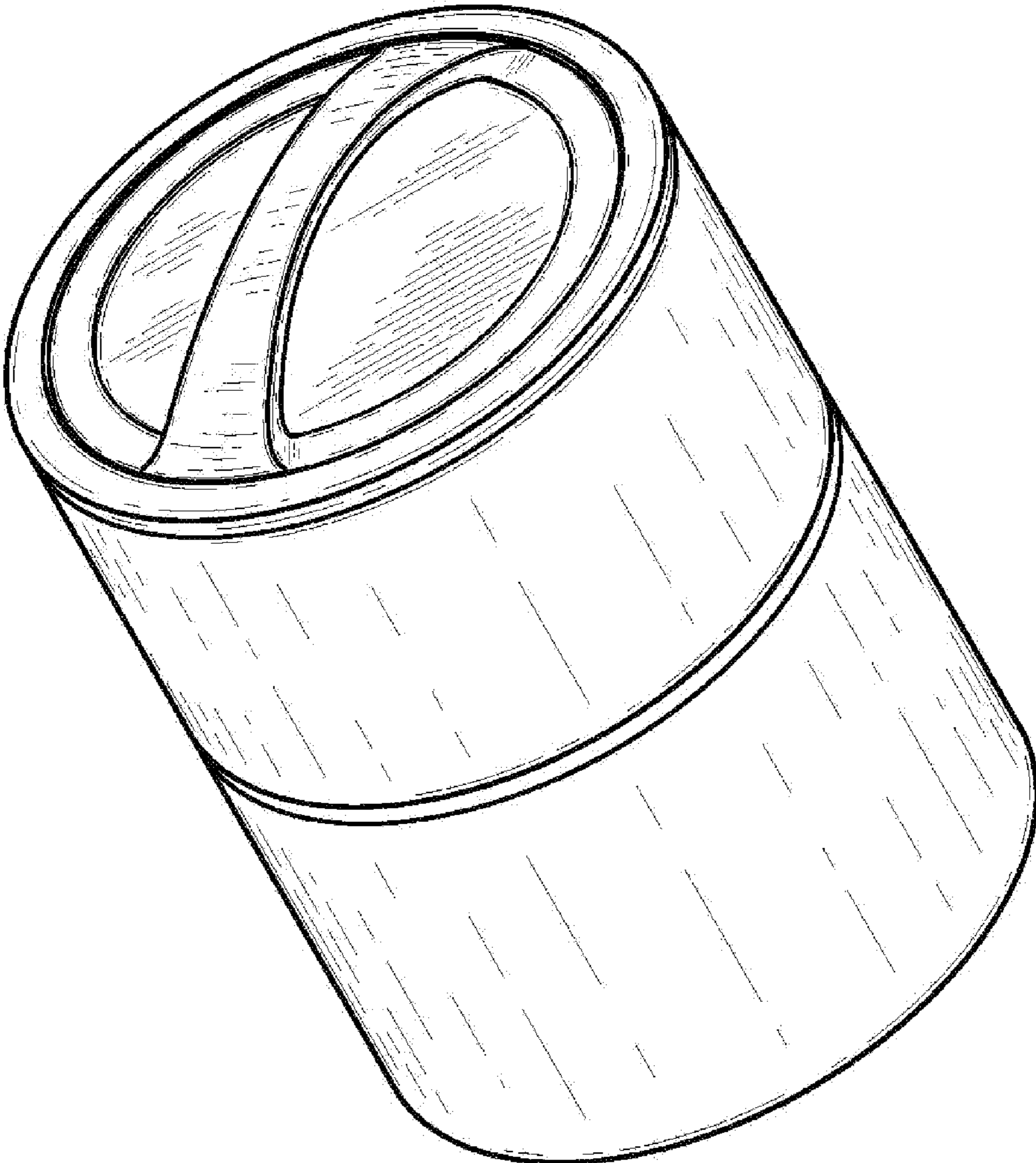


Fig. 1

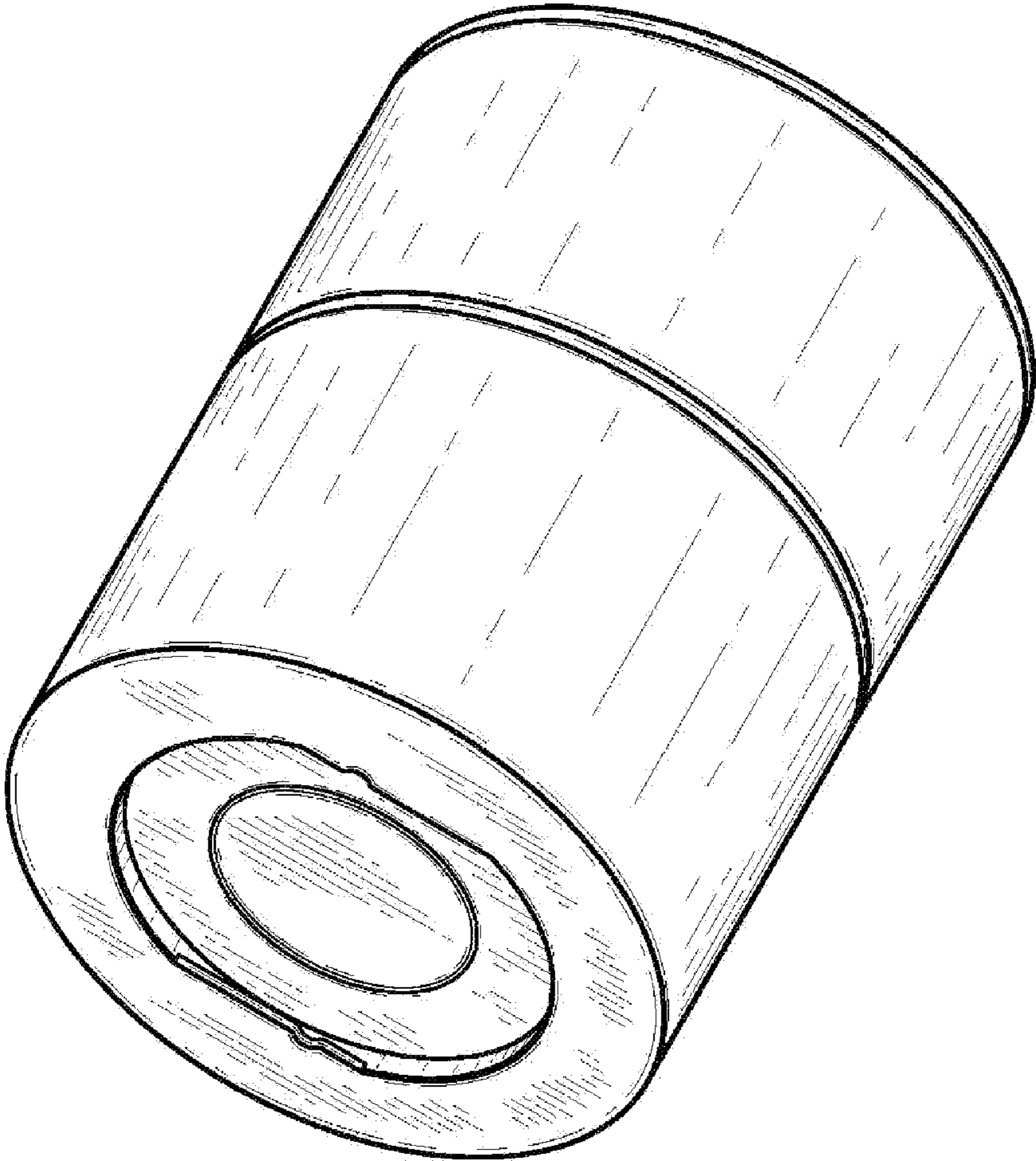


Fig. 2

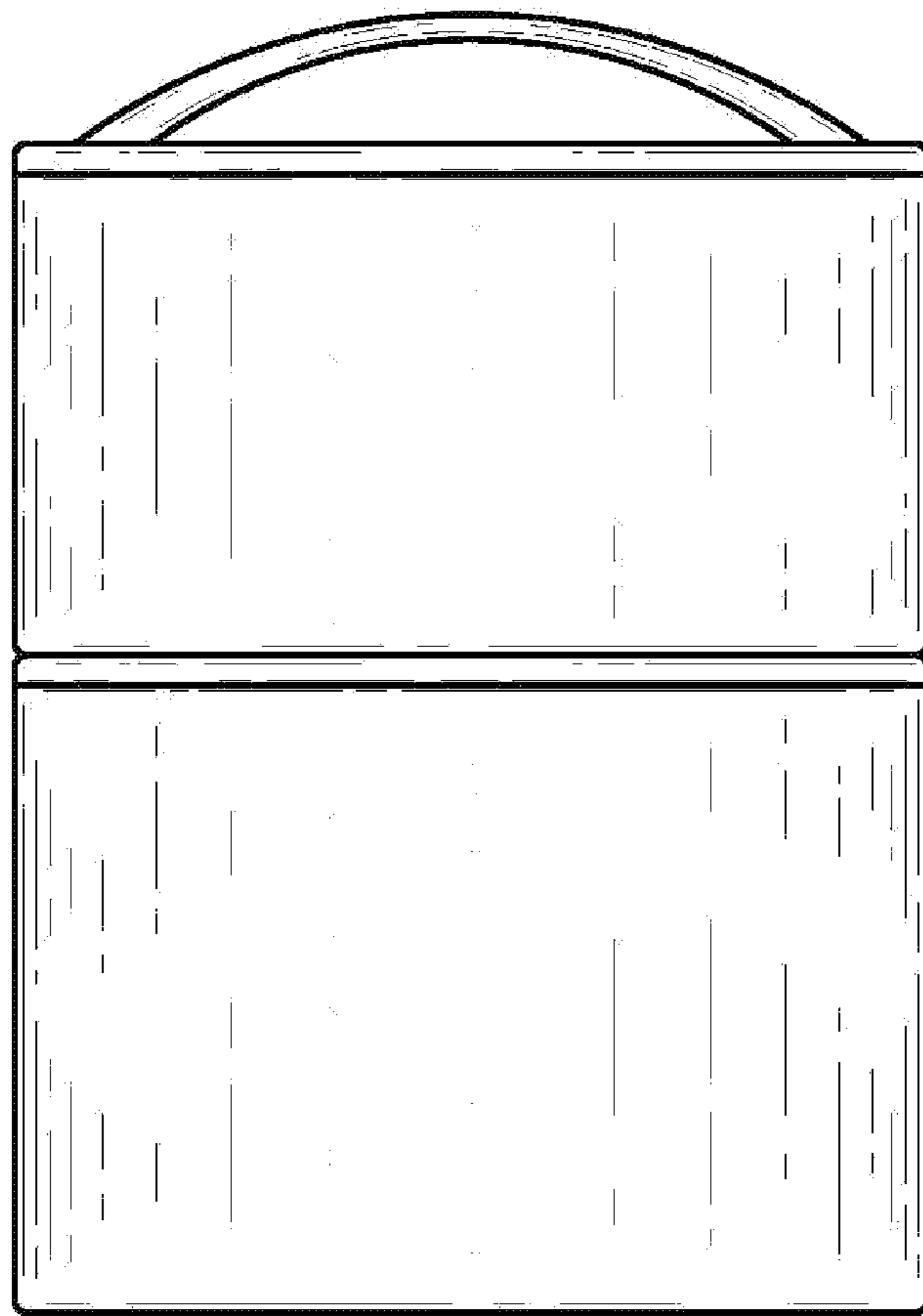


Fig. 3

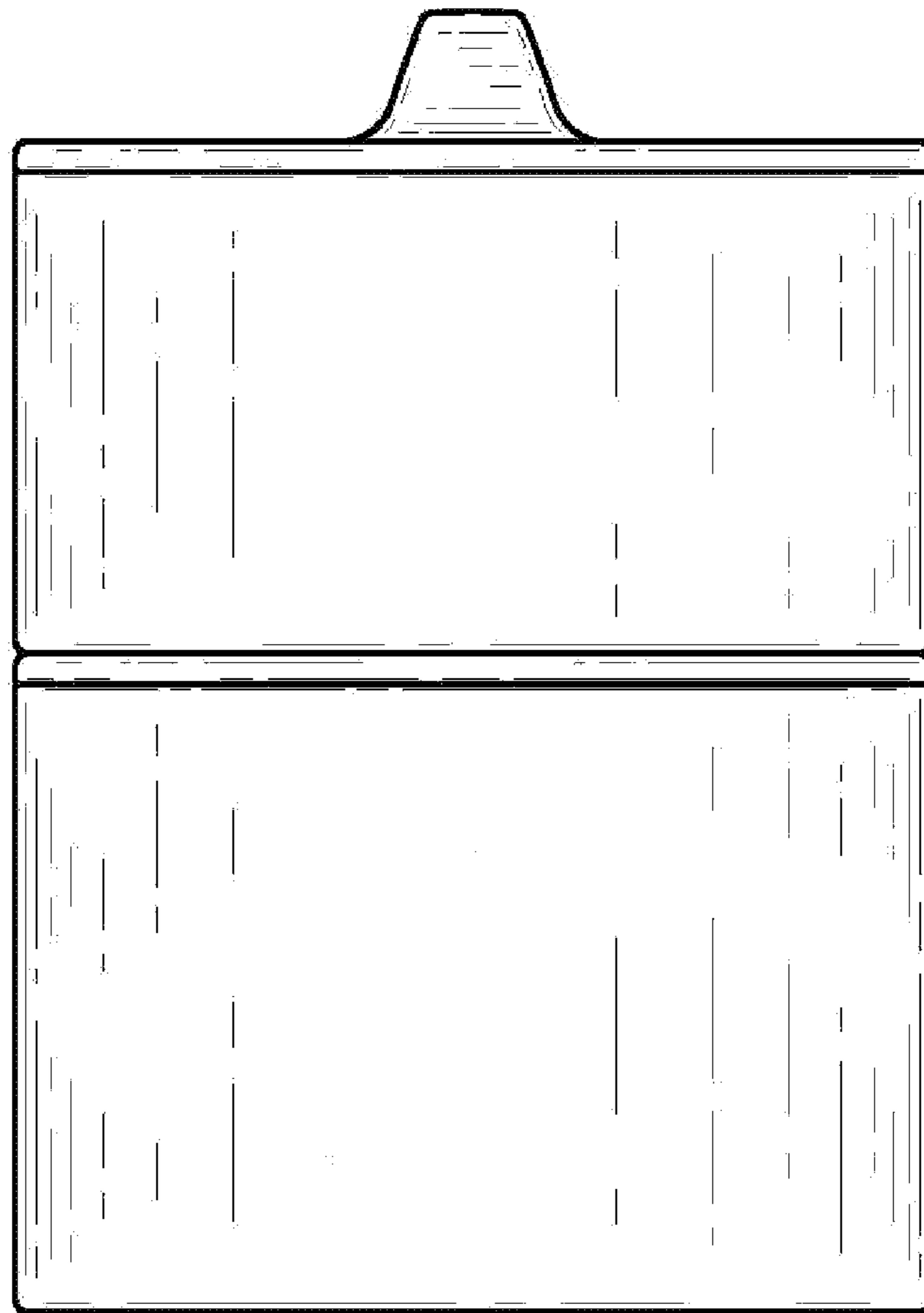


Fig. 4

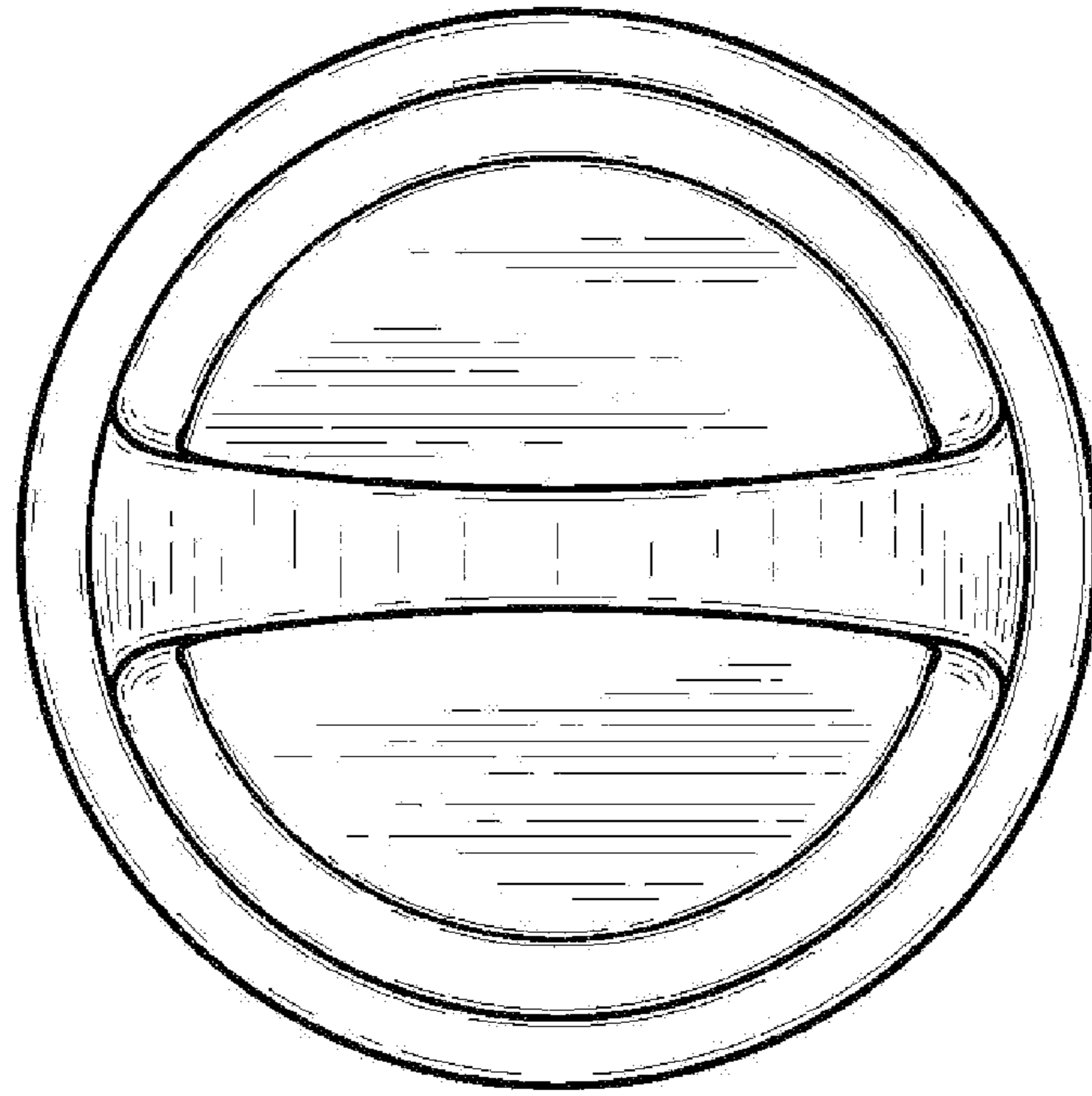


Fig. 5

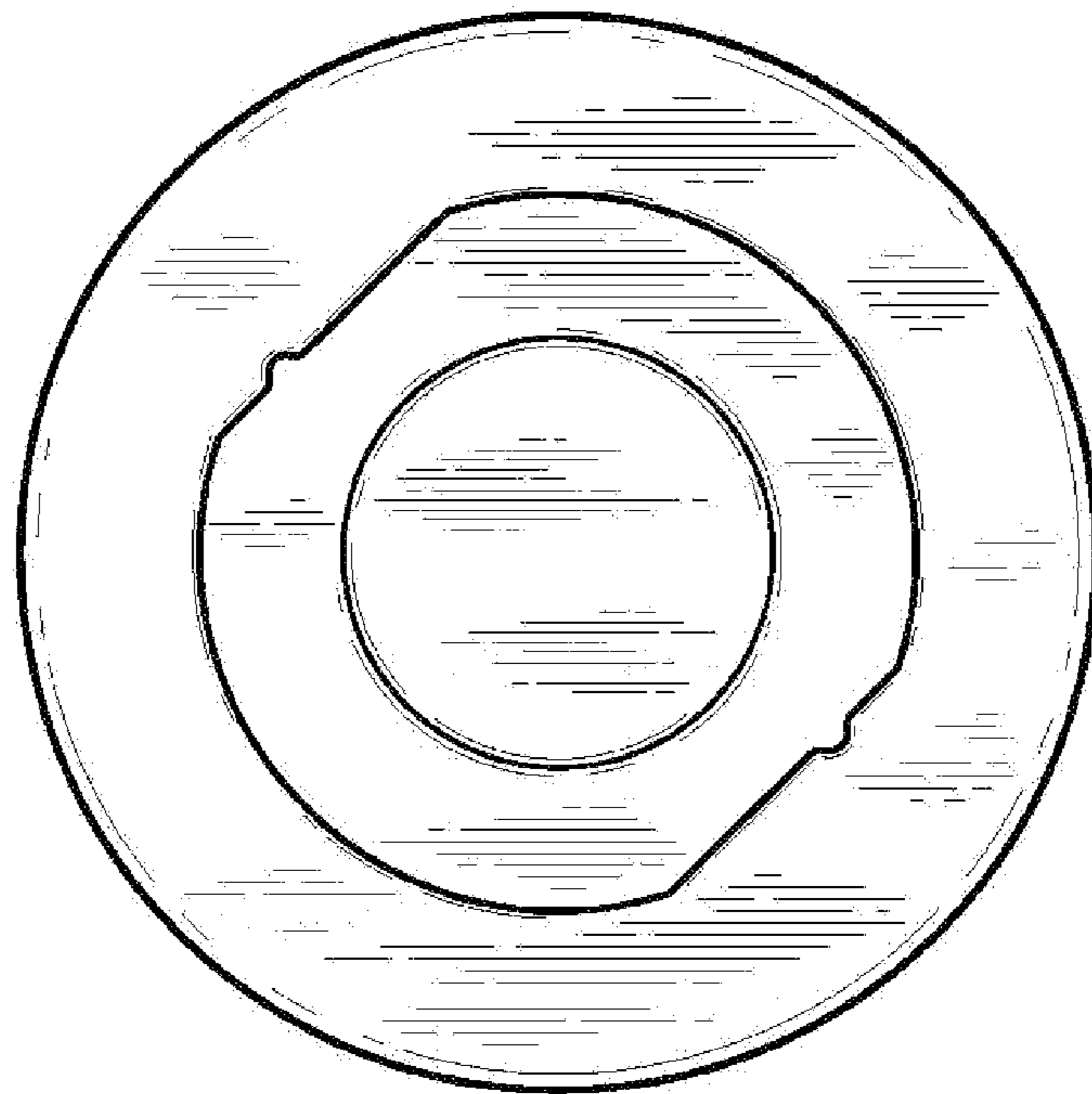


Fig. 6

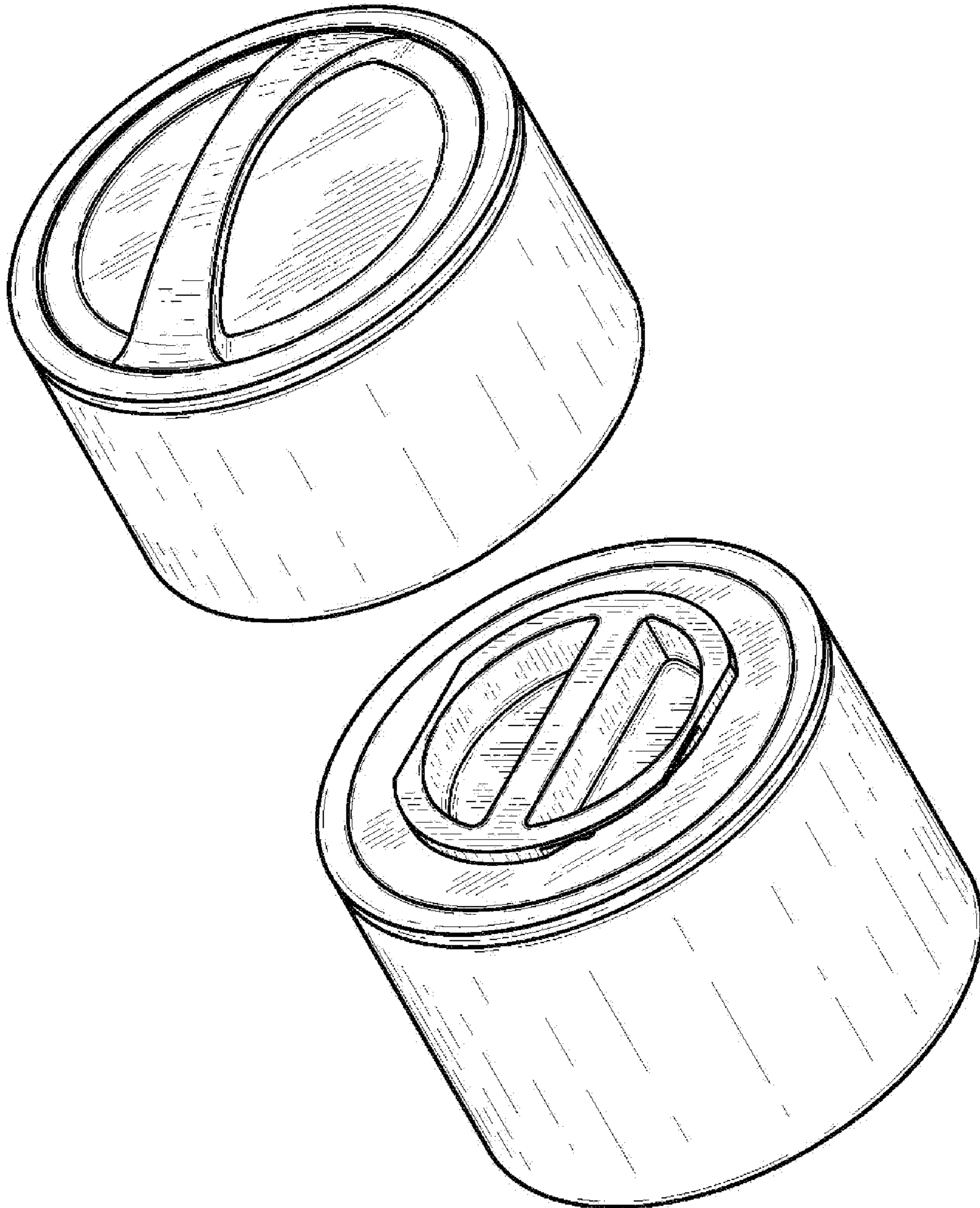


Fig. 7

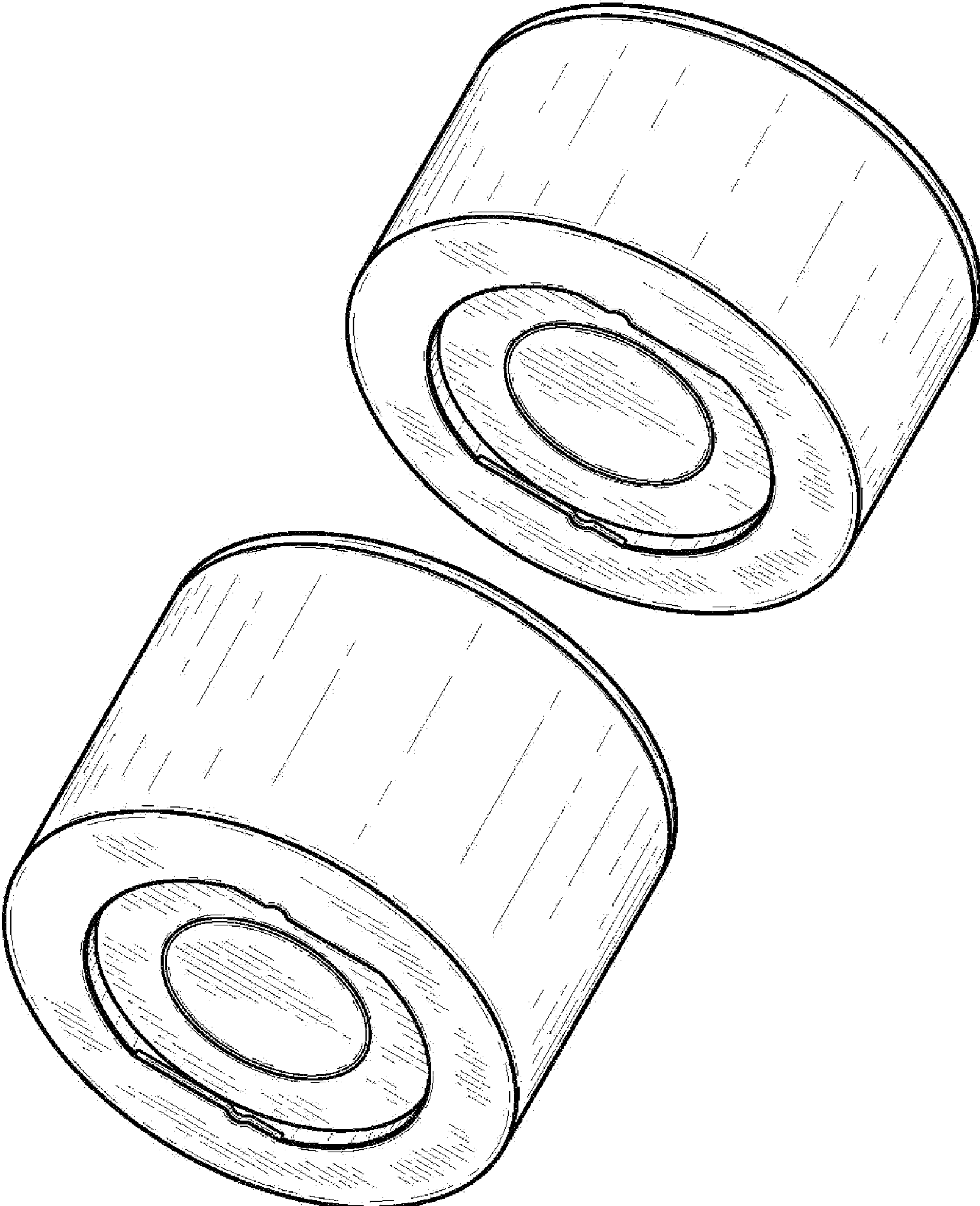


Fig. 8

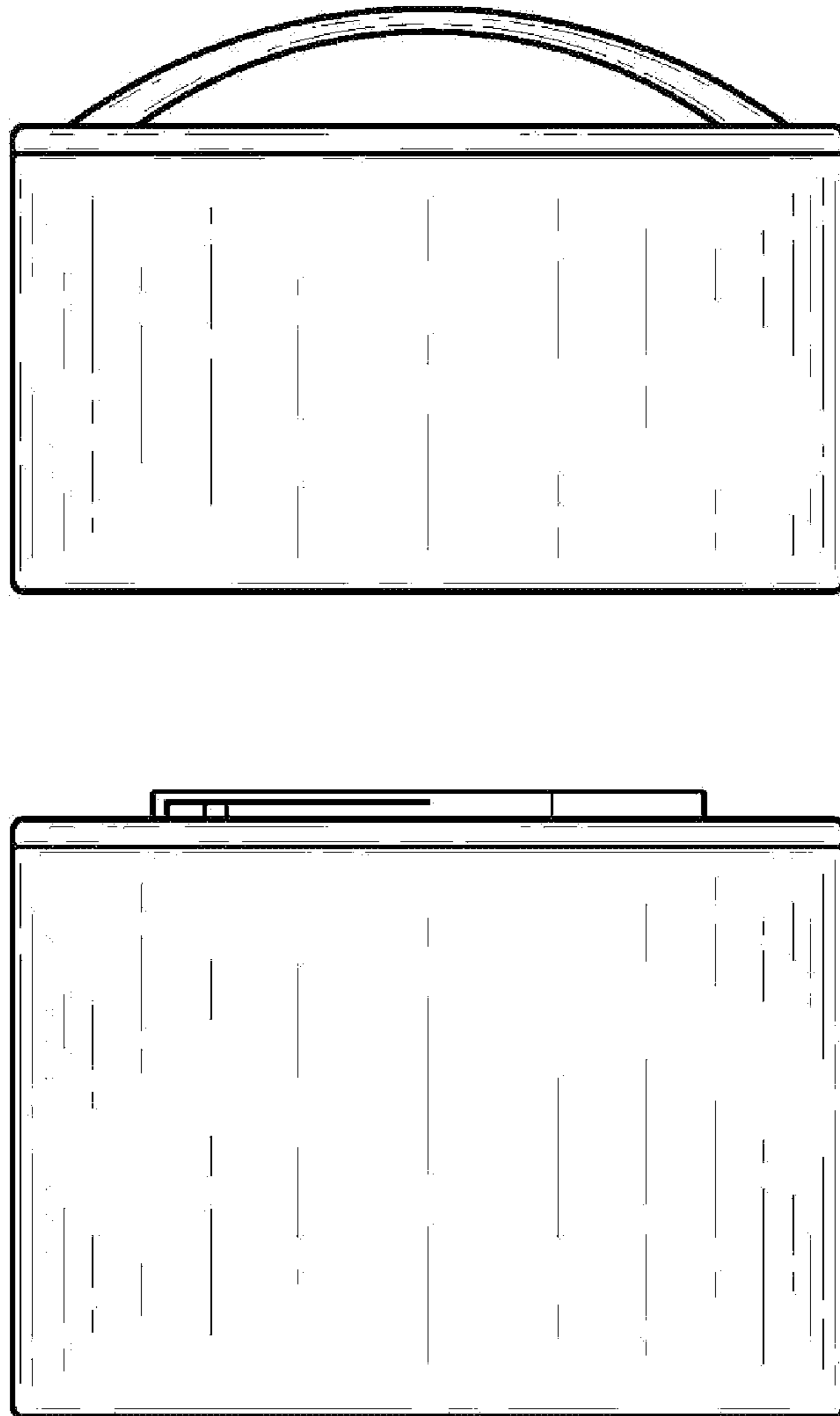


Fig. 9

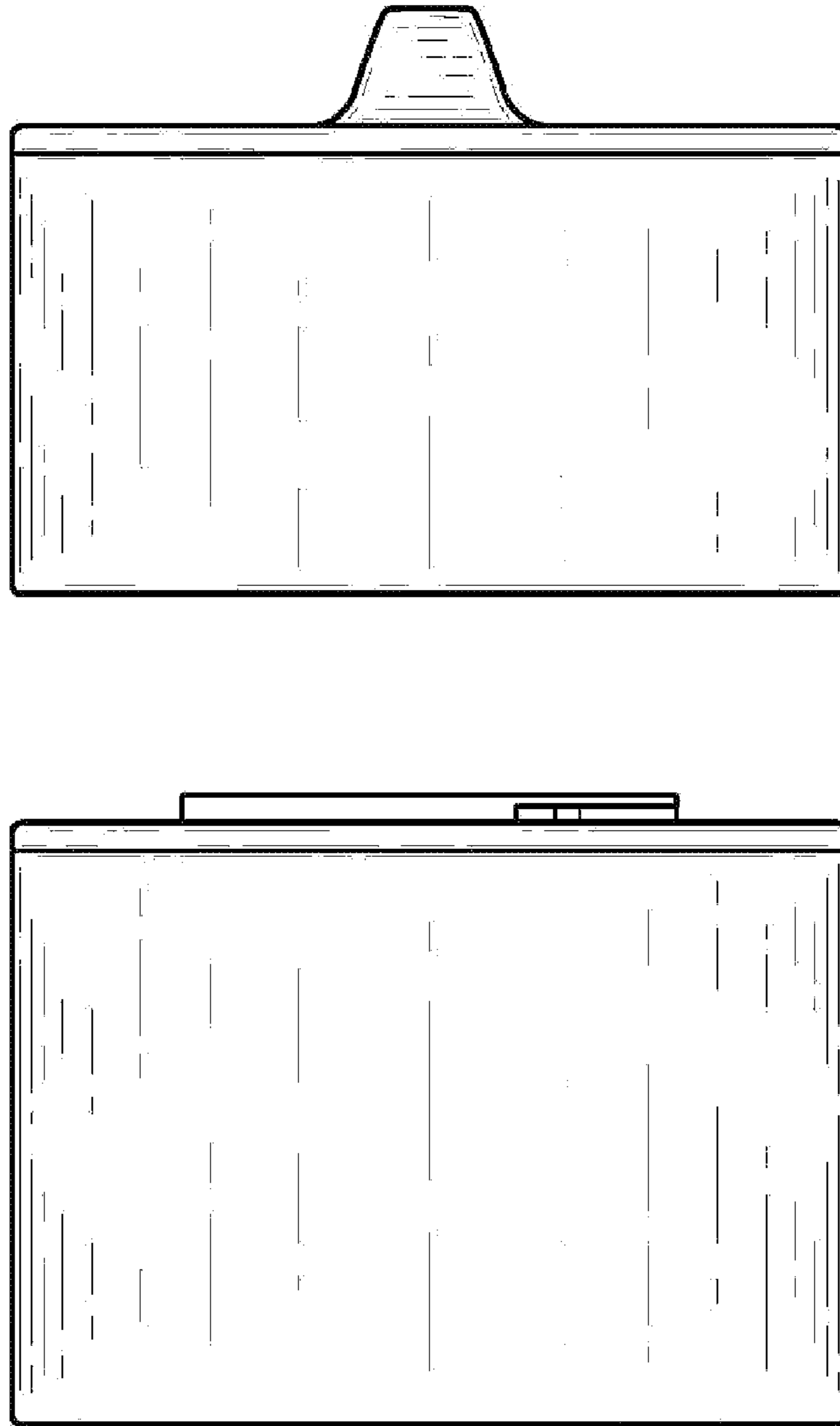


Fig. 10

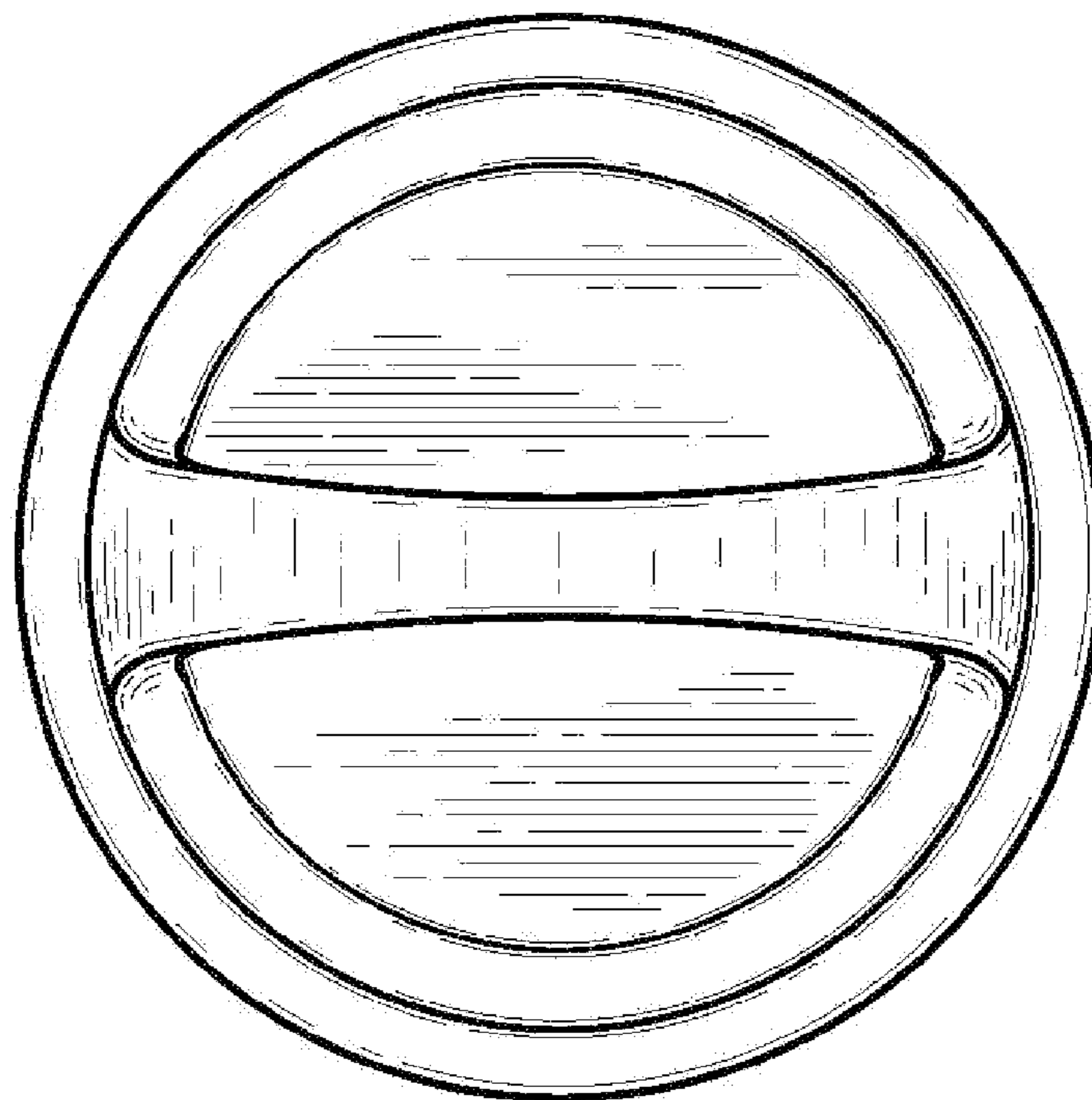


Fig. 11

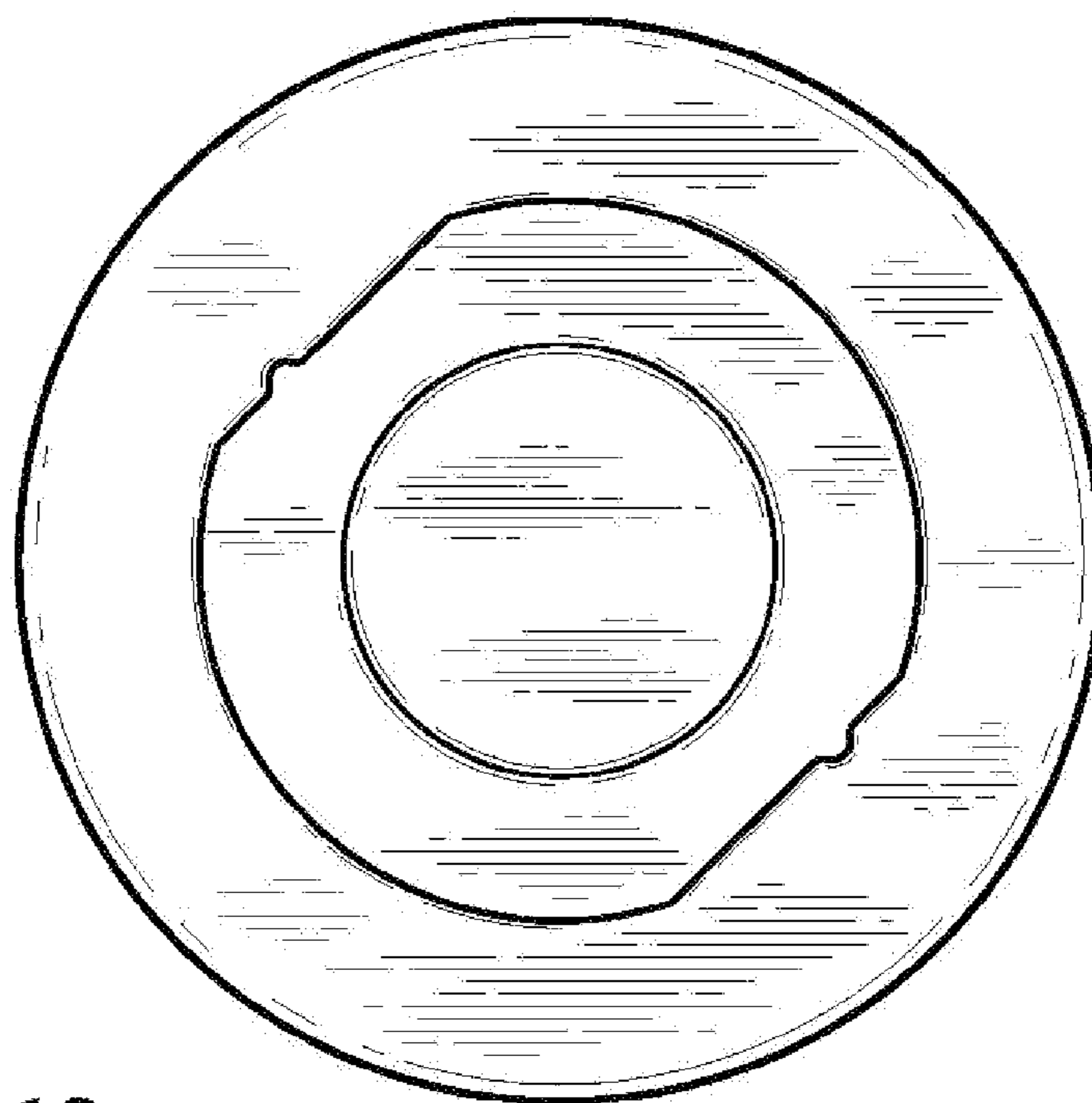


Fig. 12