



US00D643693S

(12) **United States Design Patent**
Jama

(10) **Patent No.:** **US D643,693 S**

(45) **Date of Patent:** **** Aug. 23, 2011**

(54) **WRAP**

(76) **Inventor:** **David Jama, Phoenix, AZ (US)**

(**) **Term:** **14 Years**

(21) **Appl. No.:** **29/331,411**

(22) **Filed:** **Jan. 26, 2009**

(51) **LOC (9) Cl.** **07-01**

(52) **U.S. Cl.** **D7/624.2; D7/607**

(58) **Field of Classification Search** D7/601,
D7/602, 603, 605, 606, 607, 608, 619.1, 622,
D7/388, 389, 624.2; 215/13.1, 379, 381-385;
220/592.2, 592.24, 592.25, 592.26, 592.27,
220/62.11, 62.12, 600, 608, 660, 669; D24/190,
D24/206, 207; 602/4-6
See application file for complete search history.

(56) **References Cited**

U.S. PATENT DOCUMENTS

3,371,663	A *	3/1968	Apgar	602/4
3,410,443	A *	11/1968	Hofmann	220/592.21
3,589,566	A *	6/1971	Rivest et al.	222/132
3,977,552	A *	8/1976	Lombardo	215/12.2
4,018,983	A *	4/1977	Pedlow	174/135
D255,385	S *	6/1980	Finnieston	D24/190
4,268,567	A *	5/1981	Harmony	428/195.1
D261,593	S *	11/1981	Miyazaki	D7/603
4,540,611	A *	9/1985	Henderson	428/12
D282,234	S *	1/1986	Henderson	D7/608
4,632,106	A *	12/1986	Gamm	602/63
4,687,118	A *	8/1987	Clark	220/567.3
D302,636	S *	8/1989	Singer	D7/607
D304,890	S *	12/1989	Canaan	D3/229
D341,293	S *	11/1993	Guo	D7/607
D345,897	S *	4/1994	Vitez	D7/608
D347,766	S *	6/1994	Kalat	D7/607
D352,115	S *	11/1994	Kasahara	D24/192
D364,538	S *	11/1995	Hughes	D7/608
D387,248	S *	12/1997	Warren	D7/536
D394,586	S *	5/1998	Jessop	D7/601

D396,780	S *	8/1998	Villarreal et al.	D7/619.1
D404,490	S *	1/1999	Tripolsky	D24/190
6,019,245	A *	2/2000	Foster et al.	220/739
D422,454	S *	4/2000	Michael Bain	D7/607
D423,299	S *	4/2000	Burrus	D7/607
D424,371	S *	5/2000	Delmonte	D7/607
D429,447	S *	8/2000	Prag	D7/607
D434,503	S *	11/2000	DeHerrera	D24/190
D454,034	S *	3/2002	McLaughlin	D7/607
D454,198	S *	3/2002	Lamping et al.	D24/190
D473,948	S *	4/2003	Elkins et al.	D24/206
D487,171	S *	2/2004	Miller	D29/120.1
D493,674	S *	8/2004	Lowe	D7/606
D495,875	S *	9/2004	Spence, Jr.	D3/229
D533,751	S *	12/2006	Exler	D7/619.1
D543,790	S *	6/2007	Szymanski	D7/607

(Continued)

Primary Examiner — Stella Reid

Assistant Examiner — Elizabeth J Oswecki

(74) *Attorney, Agent, or Firm* — Booth Udall, PLC; Steven J. Laureanti

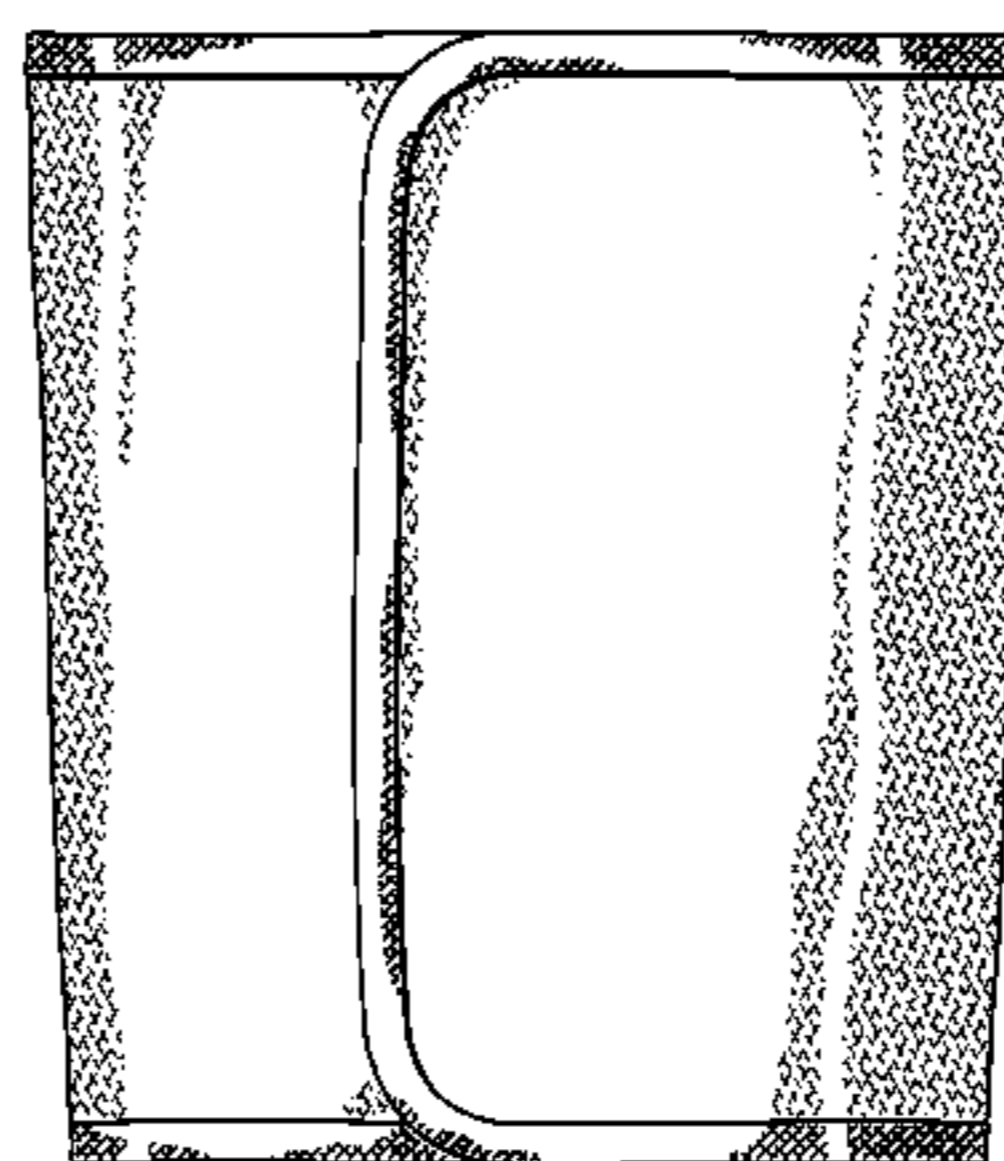
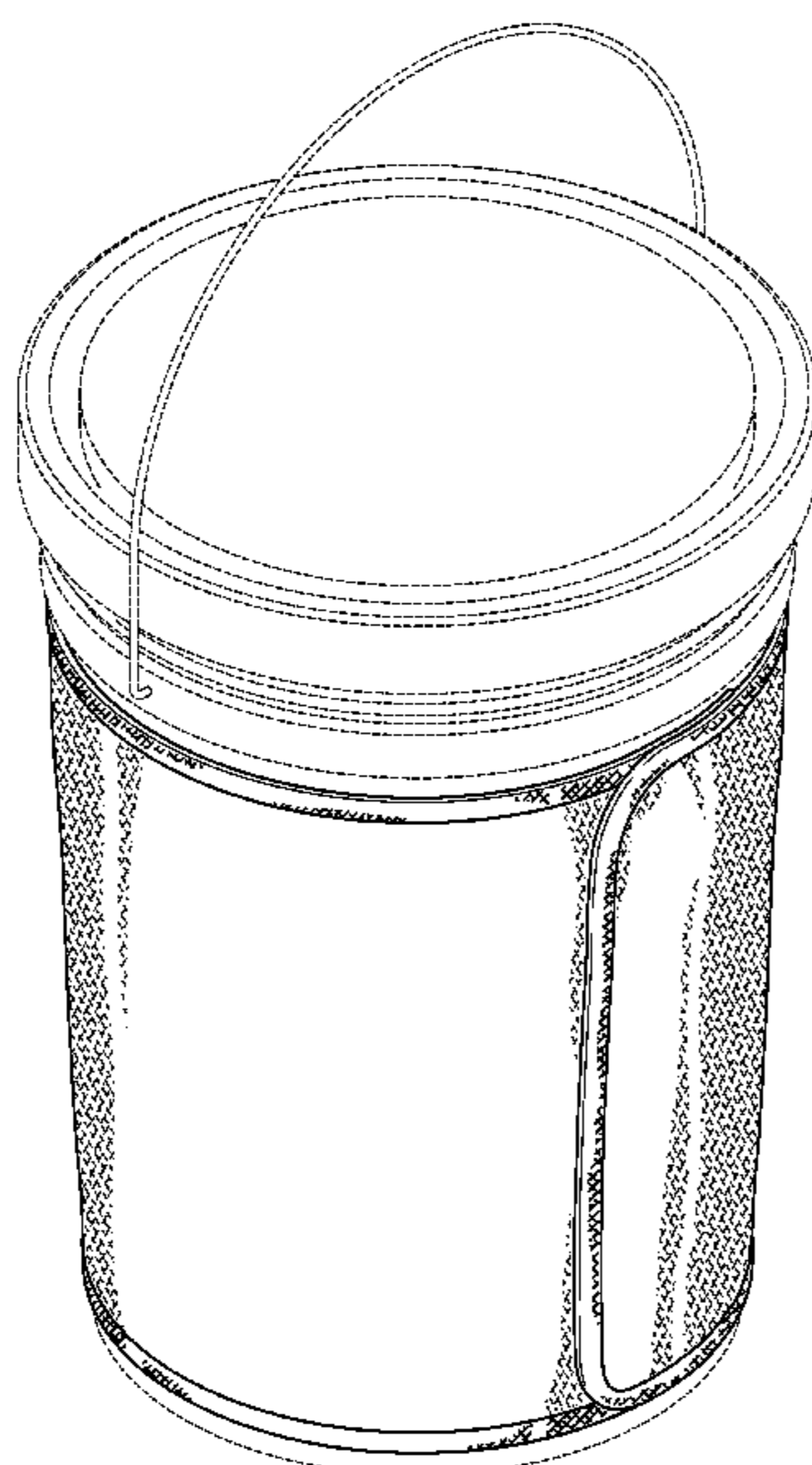
(57) **CLAIM**

The ornamental design for an ornamental wrap, as shown and described.

DESCRIPTION

FIG. 1 is a perspective view of an ornamental wrap according to the present invention;
FIG. 2 is a front view of the ornamental wrap of FIG. 1;
FIG. 3 is a back side view of the ornamental wrap of FIG. 1;
FIG. 4 is a left side view of the ornamental wrap of FIG. 1;
FIG. 5 is a right side view of the ornamental wrap of FIG. 1;
FIG. 6 is a top view of the ornamental wrap of FIG. 1; and,
FIG. 7 is a bottom view of the ornamental wrap of FIG. 1.
The broken lines showing of a bucket and a handle in FIG. 1 are included for illustrative purposes only and form no part of the claimed design.

1 Claim, 4 Drawing Sheets



US D643,693 S

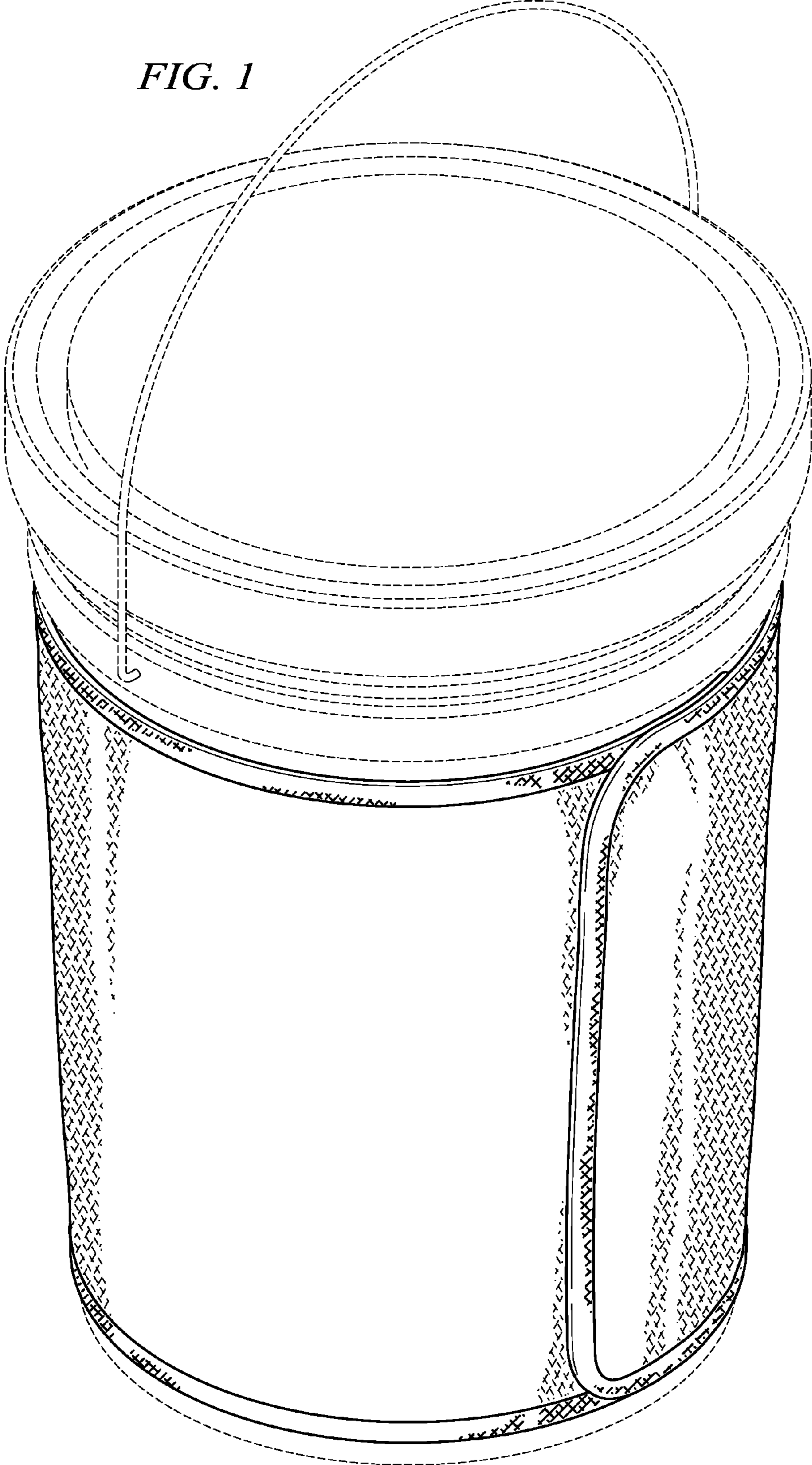
Page 2

U.S. PATENT DOCUMENTS

D551,351 S *	9/2007	Silva	D24/190	D590,212 S *	4/2009	Mancha et al.	D7/624.2
D551,772 S *	9/2007	Lozano	D24/206	D594,686 S *	6/2009	Bodum	D6/610
D554,761 S *	11/2007	Marin	D24/206	D595,859 S *	7/2009	Young	D24/190
D569,079 S *	5/2008	Whong	D2/502	7,615,024 B2 *	11/2009	Chiang et al.	602/5
D580,554 S *	11/2008	Lin et al.	D24/190	D605,900 S *	12/2009	Bodum	D7/607
D580,556 S *	11/2008	Lin et al.	D24/190	D606,366 S *	12/2009	Dunne	D7/607
D589,757 S *	4/2009	Mancha et al.	D7/624.2	D628,300 S *	11/2010	Caden	D24/190
D589,758 S *	4/2009	Mancha et al.	D7/624.2	2008/0139982 A1 *	6/2008	Magnusson	602/5

* cited by examiner

FIG. 1



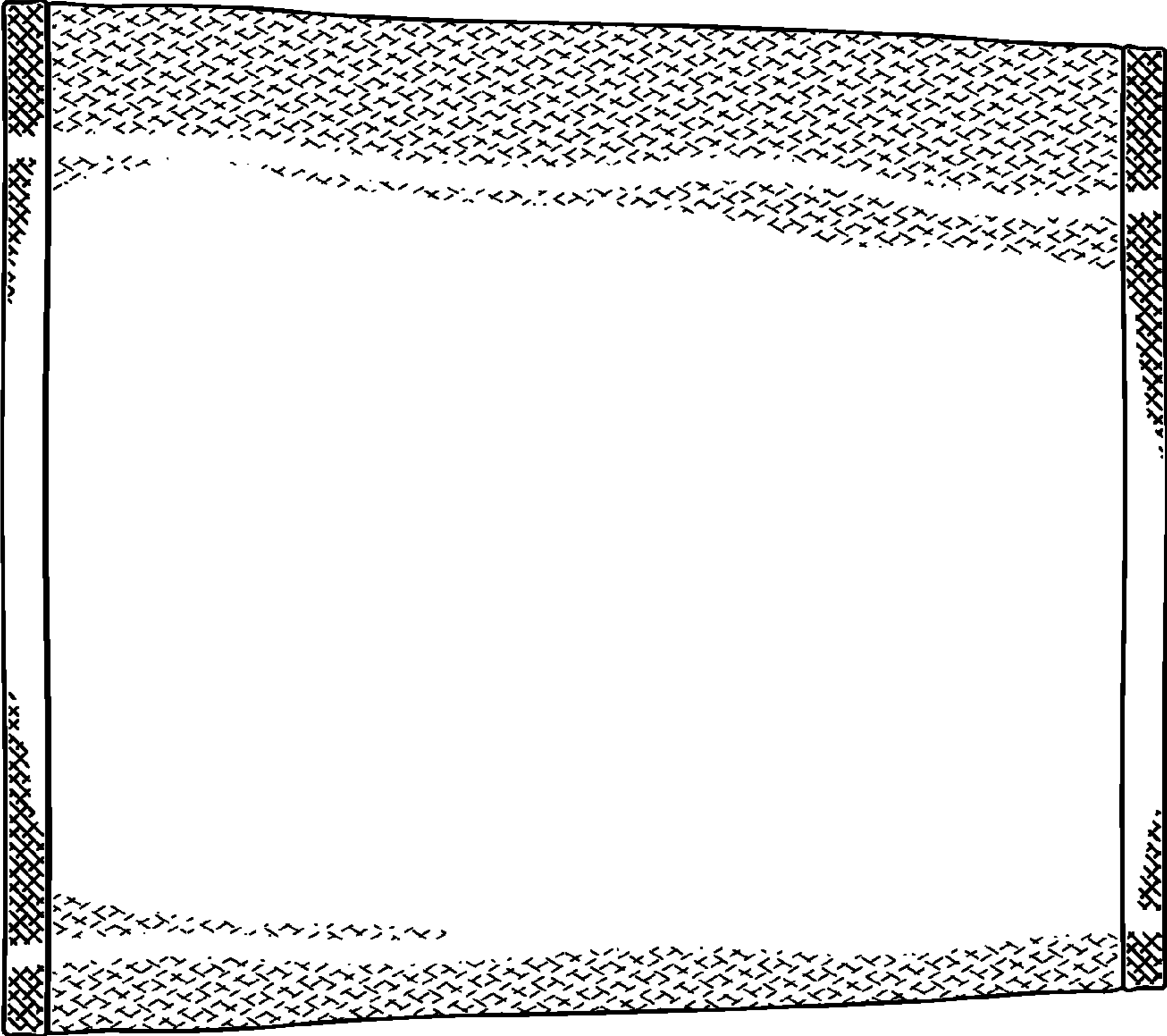


FIG. 2

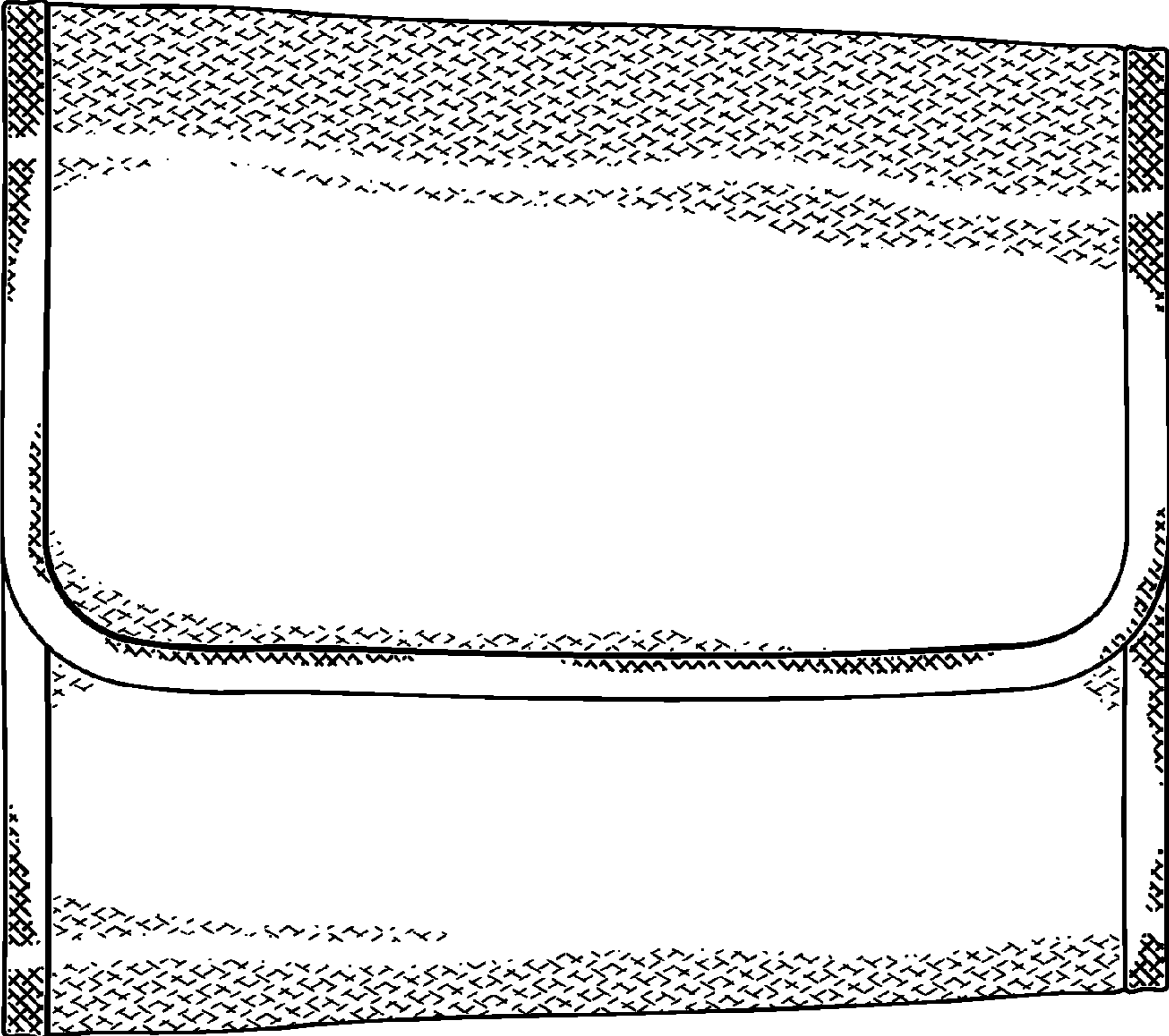


FIG. 3

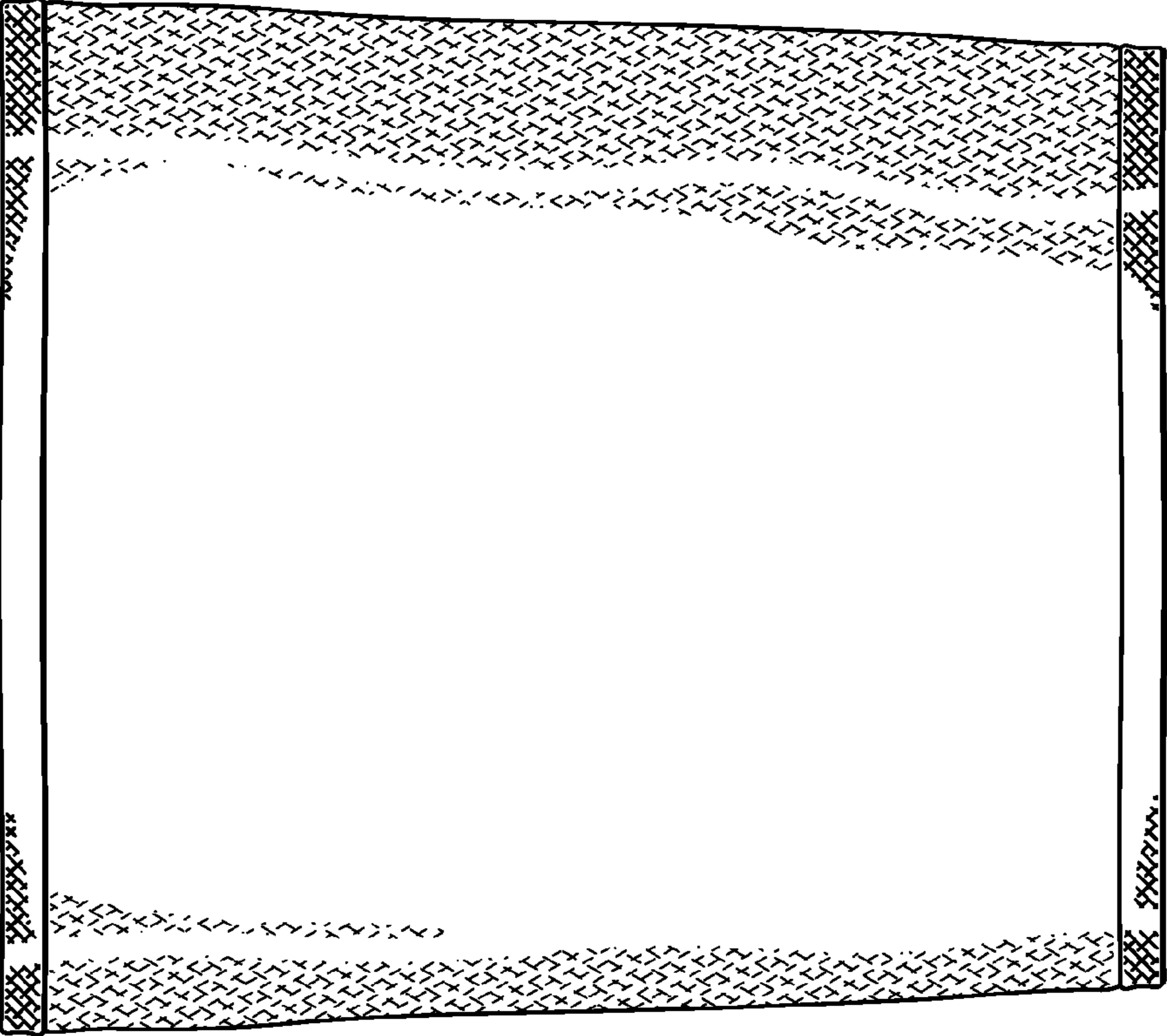


FIG. 5

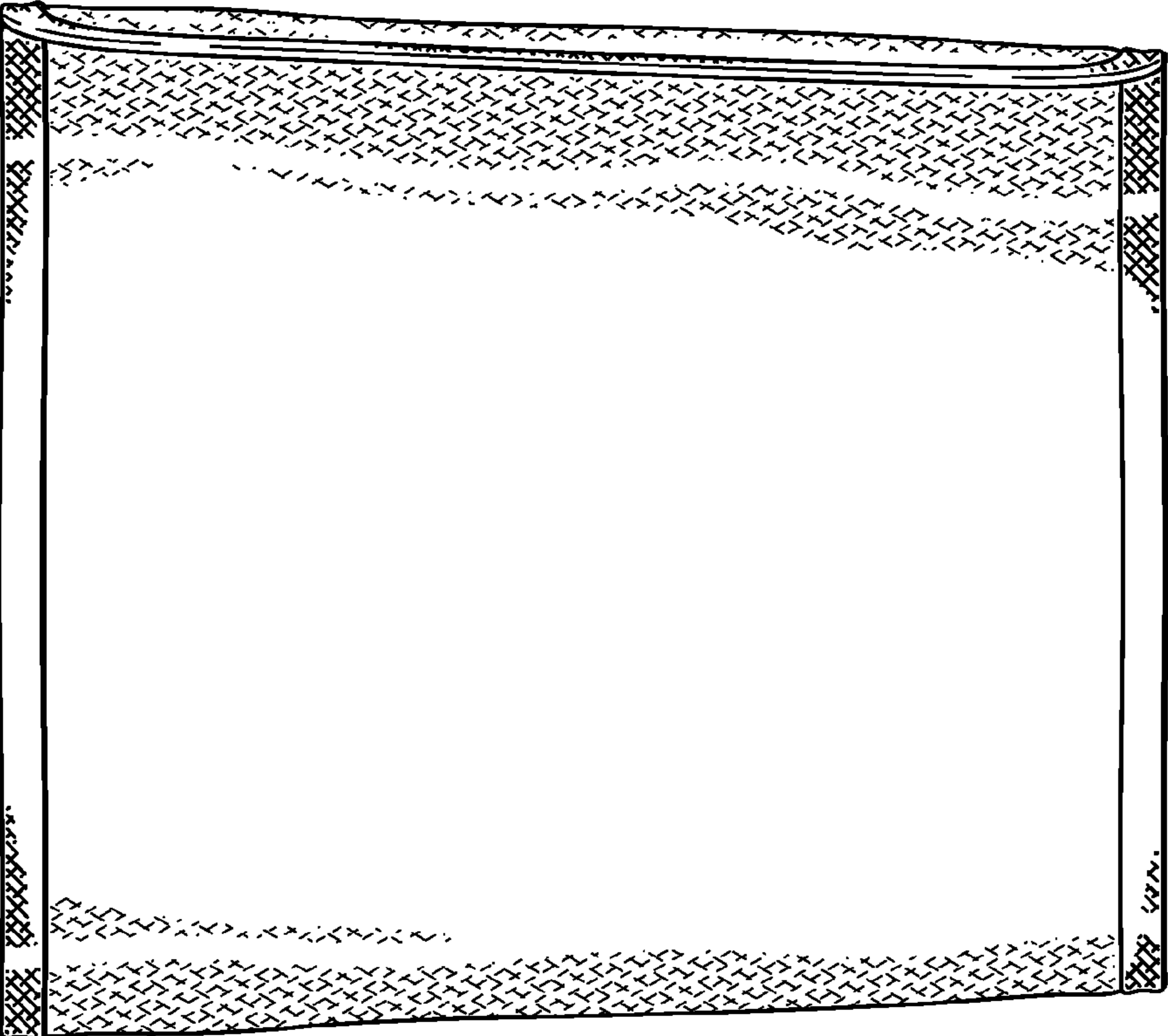


FIG. 4

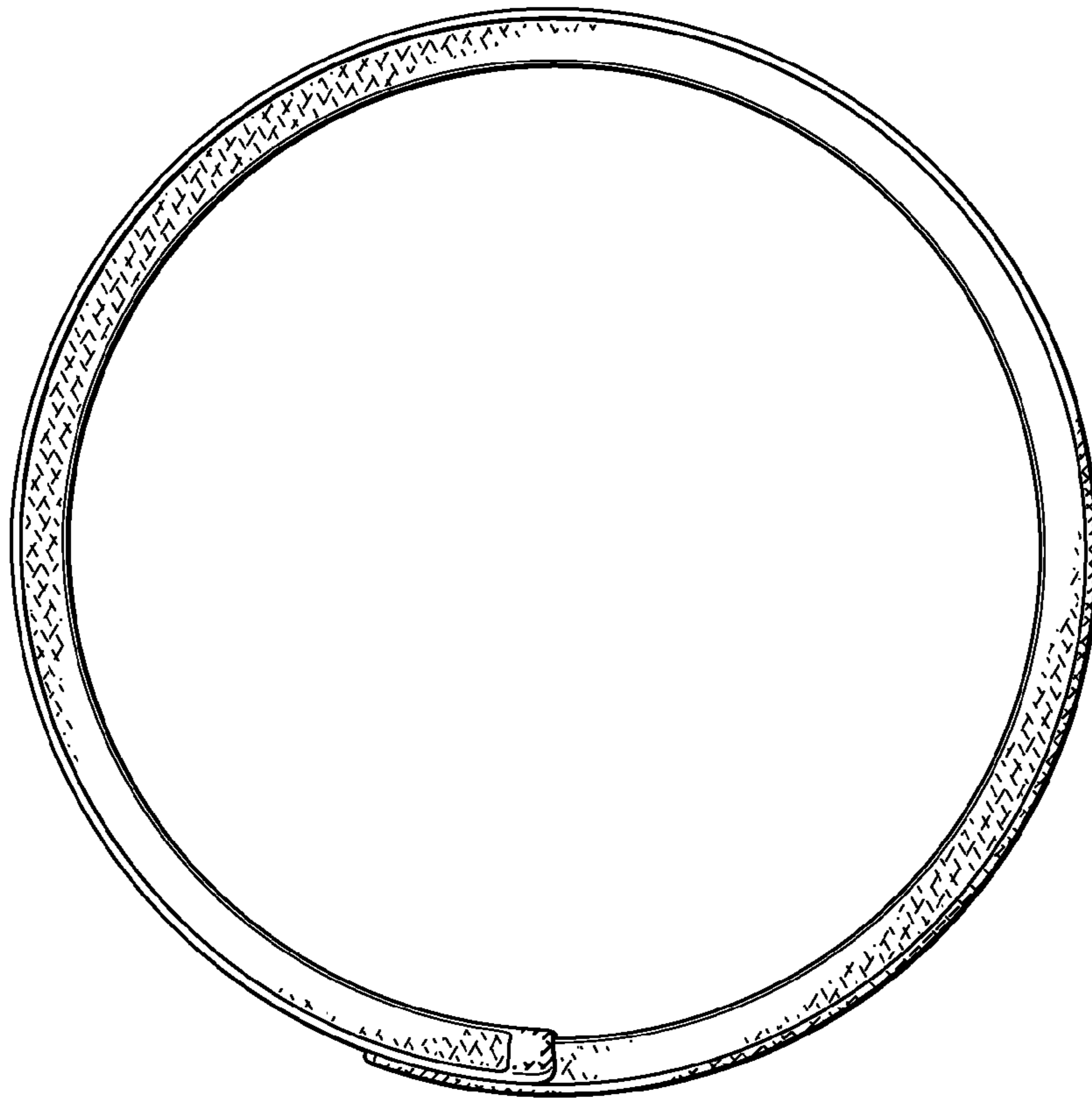


FIG. 6

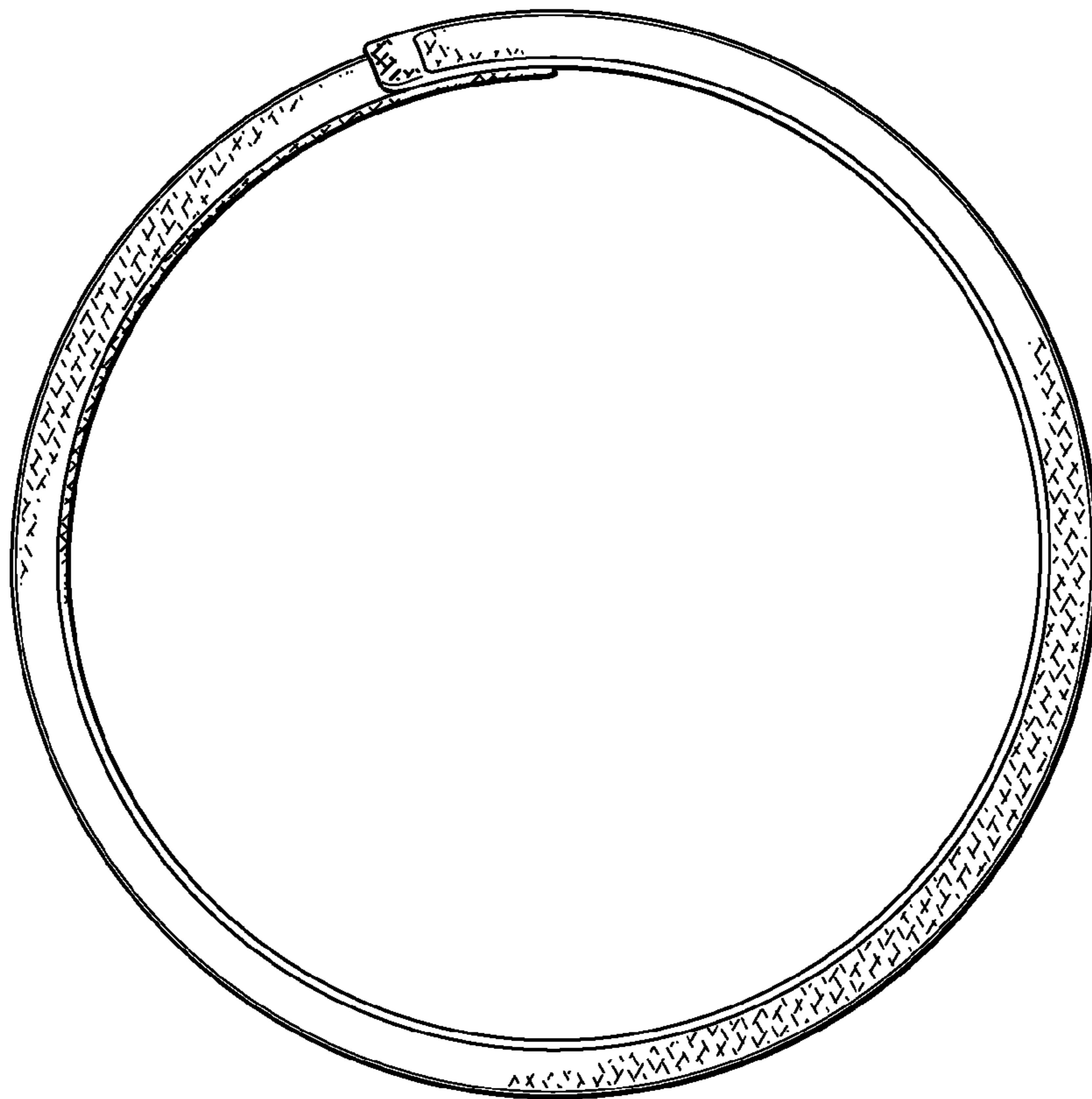


FIG. 7