



US00D643687S

(12) **United States Design Patent**
Aharon

(10) **Patent No.:** **US D643,687 S**

(45) **Date of Patent:** **** Aug. 23, 2011**

(54) **PANCAKE HOLDER**

(75) Inventor: **Yehezkel Aharon**, Tel-Aviv (IL)

(73) Assignee: **Matok Vetaim Eruim Verniznonim Ltd.**, Tel-Aviv (IL)

(**) Term: **14 Years**

(21) Appl. No.: **29/347,235**

(22) Filed: **Nov. 5, 2009**

(51) **LOC (9) Cl.** **07-01**

(52) **U.S. Cl.** **D7/601**

(58) **Field of Classification Search** D7/601,
D7/619.1, 624.2; D9/433, 703, 711, 712,
D9/713; D1/105; 229/115, 125.125, 906,
229/145, 151, 186, 938; 294/1.3; 219/734,
219/725; 426/107

See application file for complete search history.

(56) **References Cited**

U.S. PATENT DOCUMENTS

943,389	A *	12/1909	Cockrell	229/4.5
D271,942	S *	12/1983	Goldman	D9/703
4,509,674	A *	4/1985	Levick	229/122.21
4,936,479	A *	6/1990	Levy et al.	220/4.21
5,118,033	A *	6/1992	Kula	229/115
5,213,255	A *	5/1993	Cote	229/115
D364,340	S *	11/1995	Weder et al.	D9/712
5,797,636	A *	8/1998	Hamynen	294/1.3
D478,283	S *	8/2003	Shimakawa	D9/713

D524,112	S *	7/2006	Cogley	D7/601
D524,114	S *	7/2006	Dodge et al.	D7/601
7,342,207	B2 *	3/2008	Hasse et al.	219/730
7,487,902	B2 *	2/2009	Philips et al.	229/115
7,745,766	B2 *	6/2010	Hasse et al.	219/730
D629,684	S *	12/2010	Drury	D9/433
7,893,389	B2 *	2/2011	Fitzwater	219/730
2003/0006273	A1 *	1/2003	Tsern et al.	229/115
2003/0206997	A1 *	11/2003	Winkelman et al.	426/107
2004/0035863	A1 *	2/2004	Metcalf et al.	219/734

* cited by examiner

Primary Examiner — Terry Wallace

(74) *Attorney, Agent, or Firm* — Nixon & Vanderhye P.C.

(57) **CLAIM**

The ornamental design for a pancake holder, as shown and described.

DESCRIPTION

FIG. 1 is a front elevational view of a pancake holder showing my new design;

FIG. 2 is a rear elevational view thereof;

FIG. 3 is a top plan view thereof;

FIG. 4 is a bottom plan view thereof;

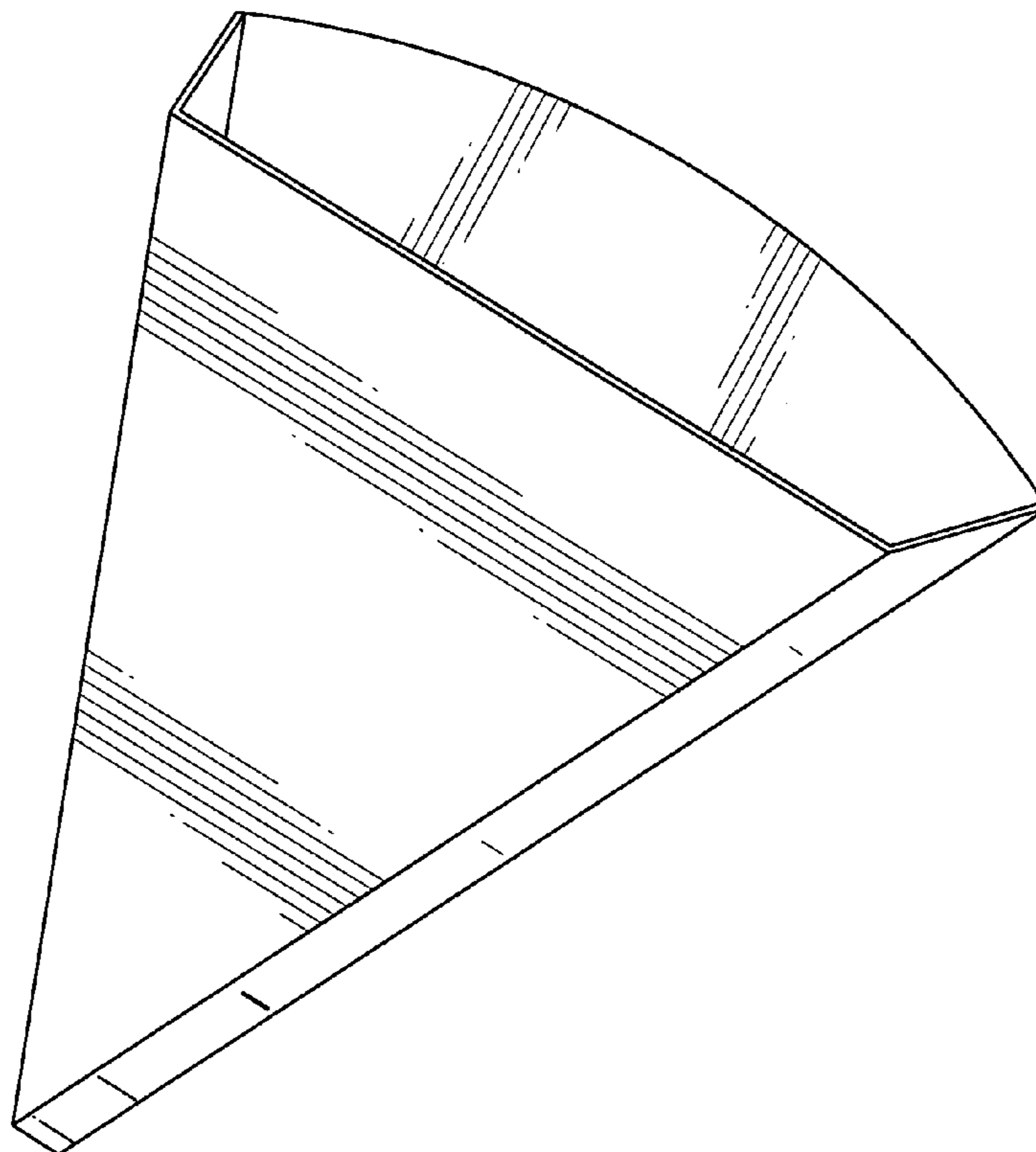
FIG. 5 is a side elevational view thereof;

FIG. 6 is another side elevational view thereof;

FIG. 7 is a perspective view showing the front and one side thereof; and,

FIG. 8 is a perspective view showing the front and another side thereof.

1 Claim, 6 Drawing Sheets



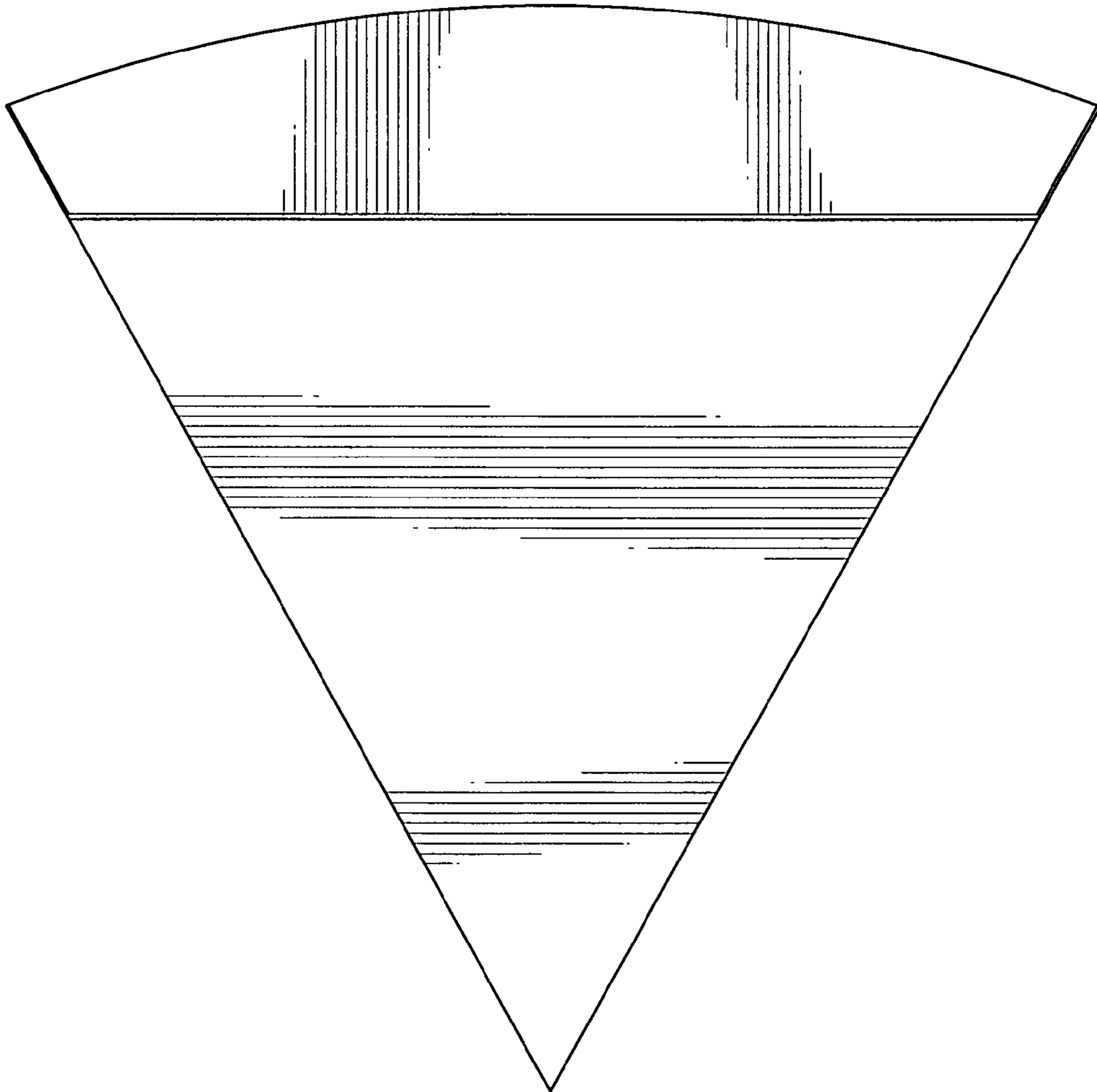


Fig. 1

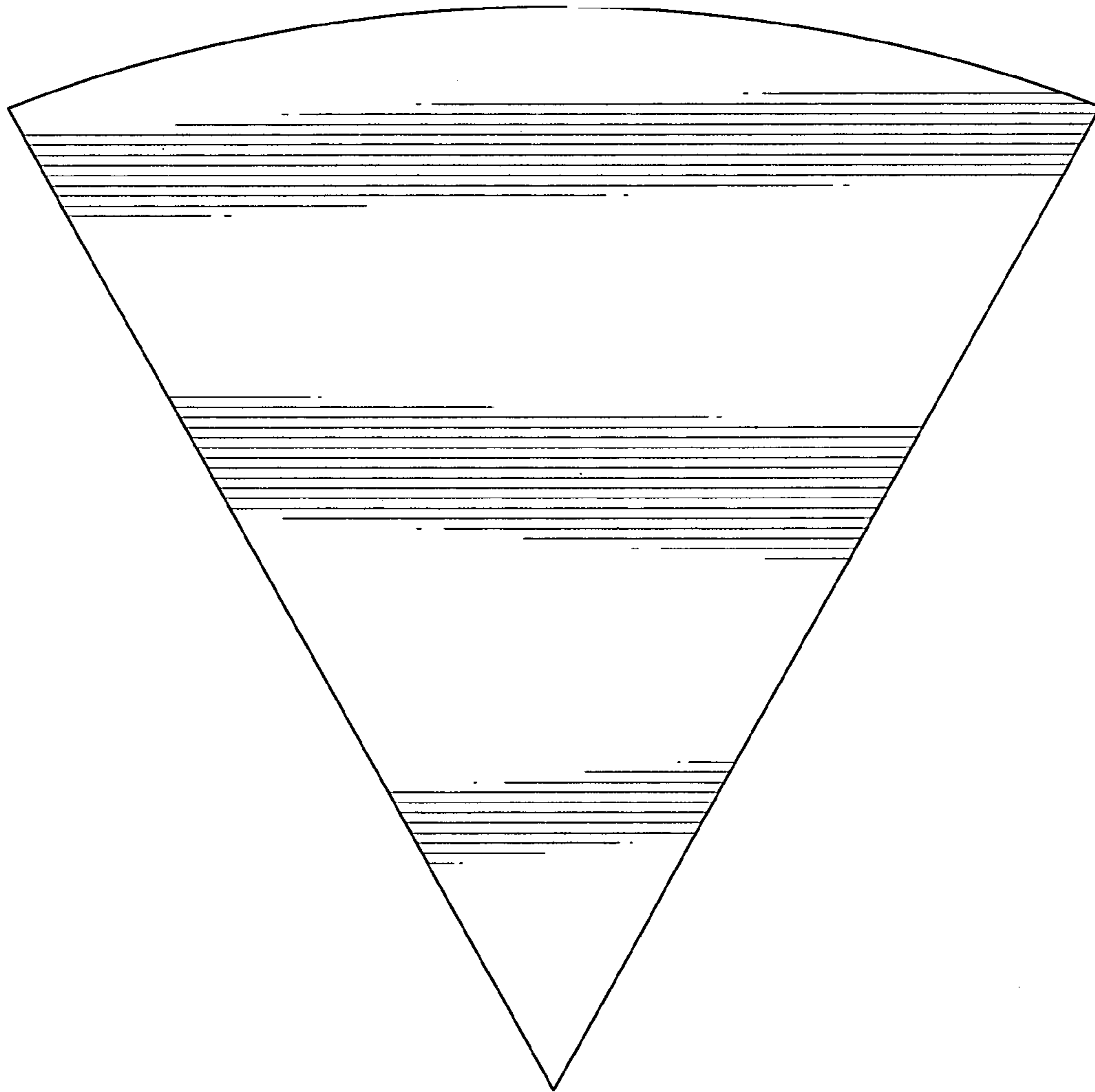


Fig. 2

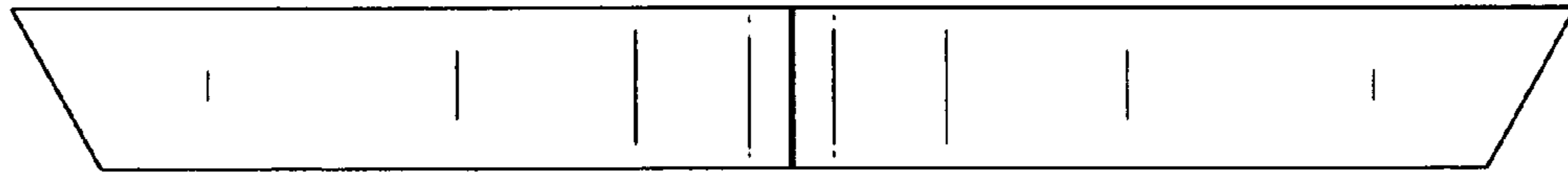


Fig. 3

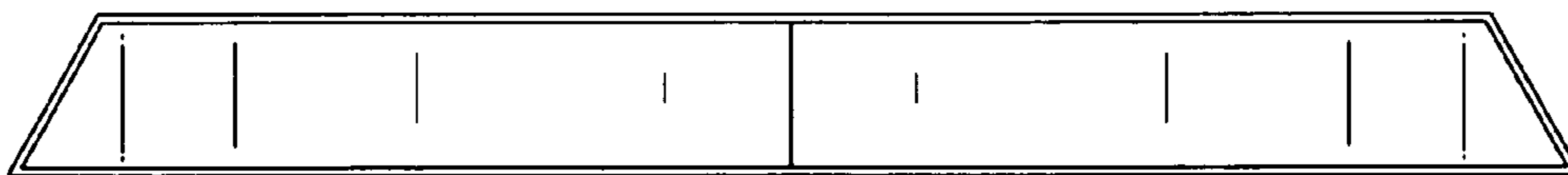


Fig. 4



Fig. 5

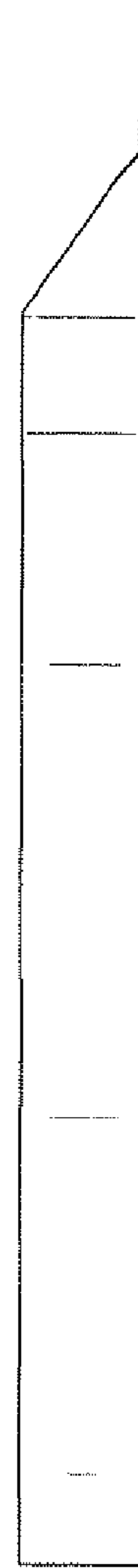


Fig. 6

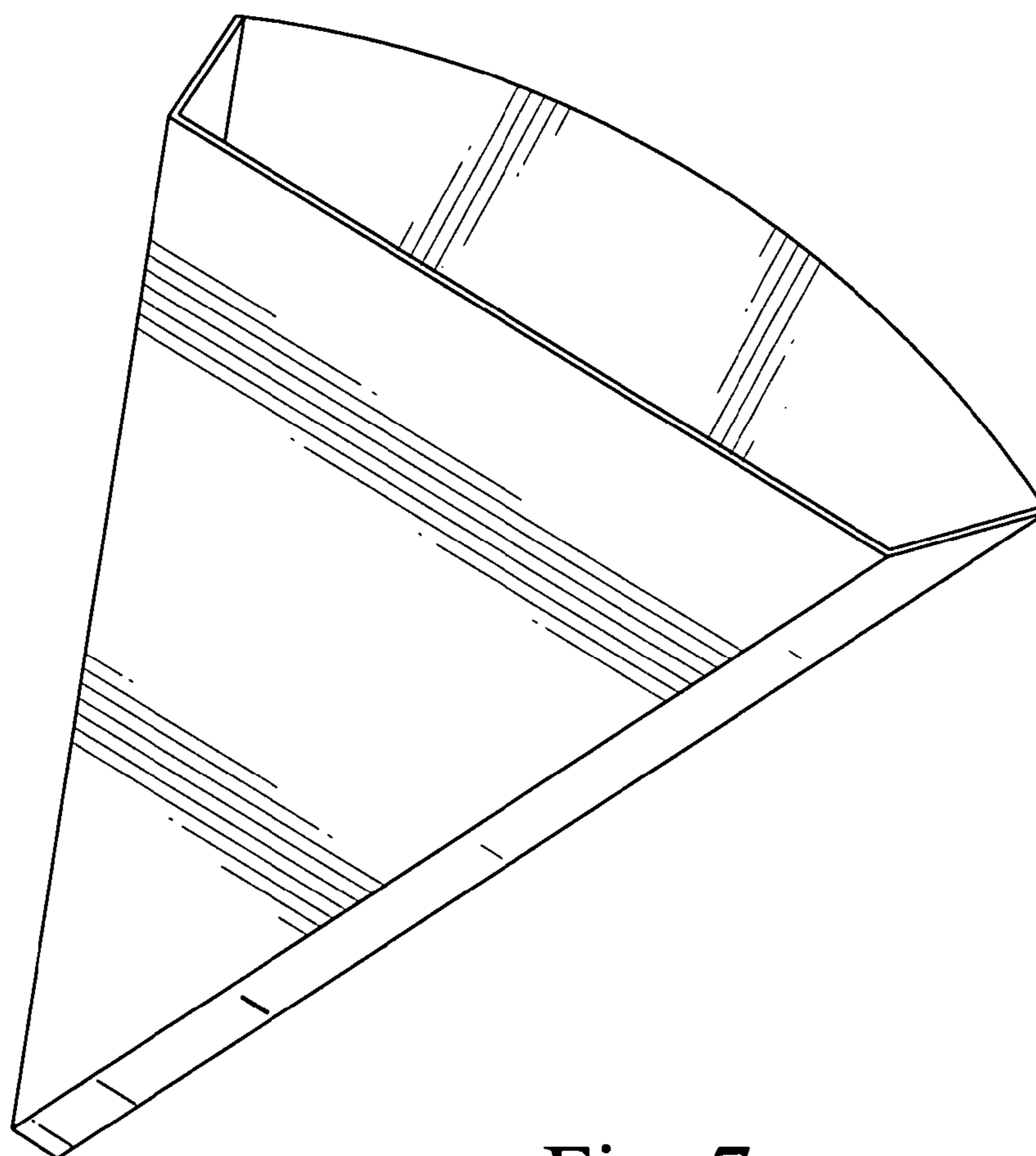


Fig. 7

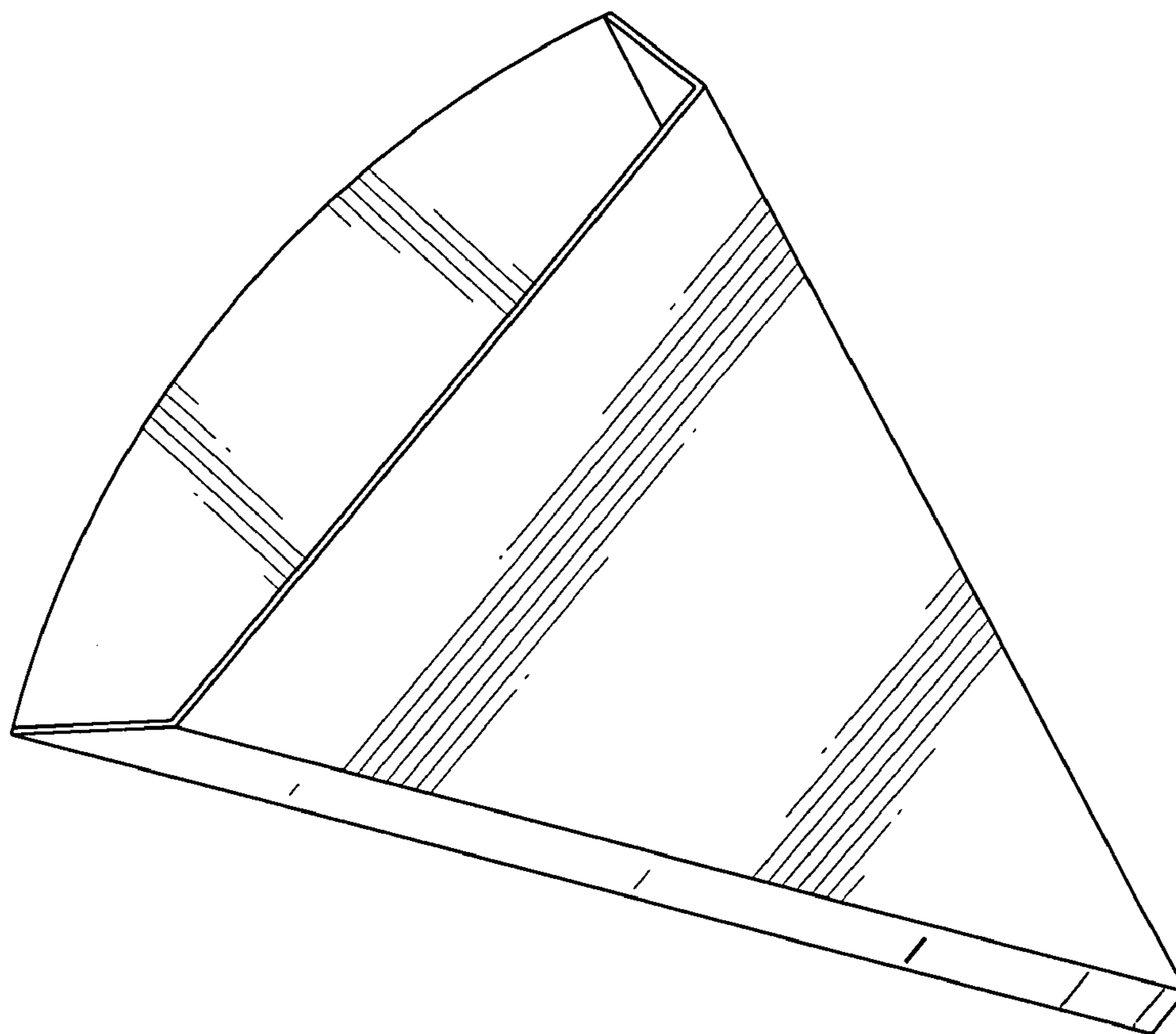


Fig. 8