



US00D643682S

(12) **United States Design Patent**  
**Asthon**

(10) **Patent No.:** **US D643,682 S**

(45) **Date of Patent:** **\*\* Aug. 23, 2011**

(54) **AUDIO AND VIDEO MODULE DISPLAY ATTACHMENT FOR THE FRONT OF A BEVERAGE DISPENSER FOUNTAIN HEAD**

(76) Inventor: **Brent Asthon**, Frisco, TX (US)

(\*\*) Term: **14 Years**

(21) Appl. No.: **29/379,232**

(22) Filed: **Nov. 16, 2010**

(51) **LOC (9) Cl.** ..... **07-99**

(52) **U.S. Cl.** ..... **D7/397**

(58) **Field of Classification Search** ..... D7/396.2,  
D7/387, 507, 397; 220/718; 36/747, 730;  
455/347; D14/374, 126; D20/42  
See application file for complete search history.

(56) **References Cited**

**U.S. PATENT DOCUMENTS**

D261,013	S *	9/1981	DeMars	.....	D20/42
5,159,714	A *	10/1992	Cosentino et al.	.....	455/347
5,264,765	A *	11/1993	Pecorino et al.	.....	318/265
D400,753	S *	11/1998	Pryor et al.	.....	D7/307
5,835,852	A *	11/1998	Bundgardt	.....	455/575.6
D407,120	S *	3/1999	Dunn et al.	.....	D20/42
D418,831	S *	1/2000	Rosen et al.	.....	D14/376
D424,538	S *	5/2000	Hayashi et al.	.....	D14/374
D437,525	S *	2/2001	Strohmeier	.....	D7/397
D452,230	S *	12/2001	Taylor et al.	.....	D14/240
D541,764	S *	5/2007	Lozano	.....	D14/126
7,215,554	B2 *	5/2007	Torres et al.	.....	361/747
D558,270	S *	12/2007	Beno	.....	D19/52
7,307,847	B2 *	12/2007	Torres et al.	.....	361/730
D568,681	S *	5/2008	Hillmann et al.	.....	D7/405
D590,448	S *	4/2009	Dukes et al.	.....	D20/42
D590,890	S *	4/2009	King et al.	.....	D20/39
D613,113	S *	4/2010	Lippert et al.	.....	D7/397
7,695,153	B2 *	4/2010	Tsai	.....	362/102
2004/0105239	A1 *	6/2004	Chiang	.....	361/728

\* cited by examiner

*Primary Examiner* — Marianne Pandozzi

(74) *Attorney, Agent, or Firm* — Jonathan E. Szarzynski;  
The Law Office of Jonathan E. Szarzynski

(57) **CLAIM**

The ornamental design for an audio and video module display attachment for the front of a beverage dispenser fountain head, as shown and described.

**DESCRIPTION**

FIG. 1 is a perspective view of an audio and video module display attachment for the front of a beverage dispenser fountain head showing my new design;

FIG. 2 is a rear view thereof, with the mounting bracket removed for ease of illustration;

FIG. 3 is a rear elevational view thereof including the mounting bracket attached;

FIG. 4 is a left side elevational view thereof including the mounting bracket attached;

FIG. 5 is a front elevational view thereof with the mounting brackets removed for ease of illustration;

FIG. 6 is a top plan view thereof, including the mounting brackets;

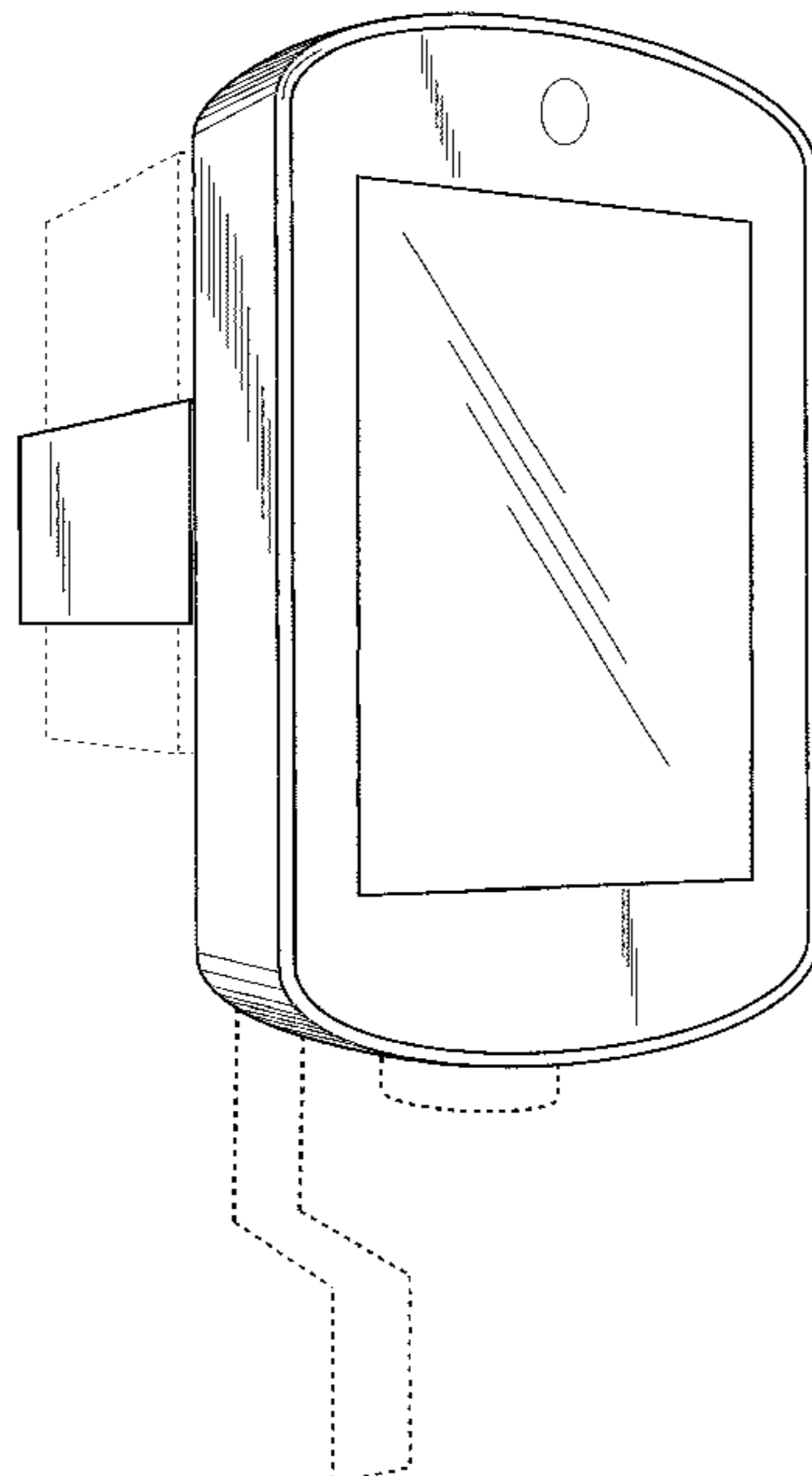
FIG. 7 is a bottom plan view thereof; and,

FIG. 8 is a right side elevation view thereof, with mounting brackets installed.

The broken line showing of a beverage fountain dispenser head is for the purpose of illustrating the environment where the device is used and forms no part of the claimed design.

The broken line showing of mechanical and electrical inputs on the rear of the device is for the purpose of illustrating said inputs and forms no part of the claimed design.

**1 Claim, 8 Drawing Sheets**



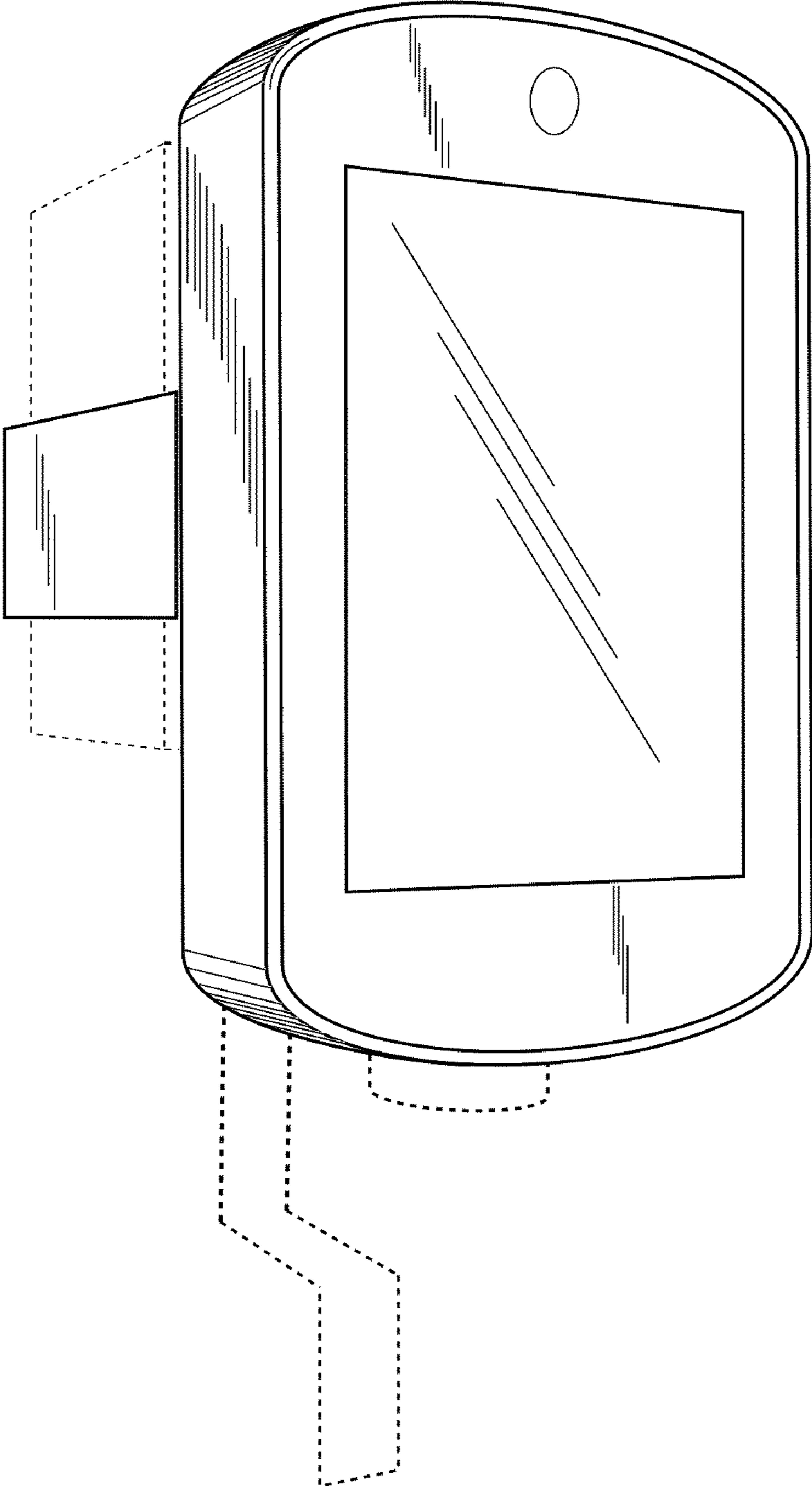


FIG. 1

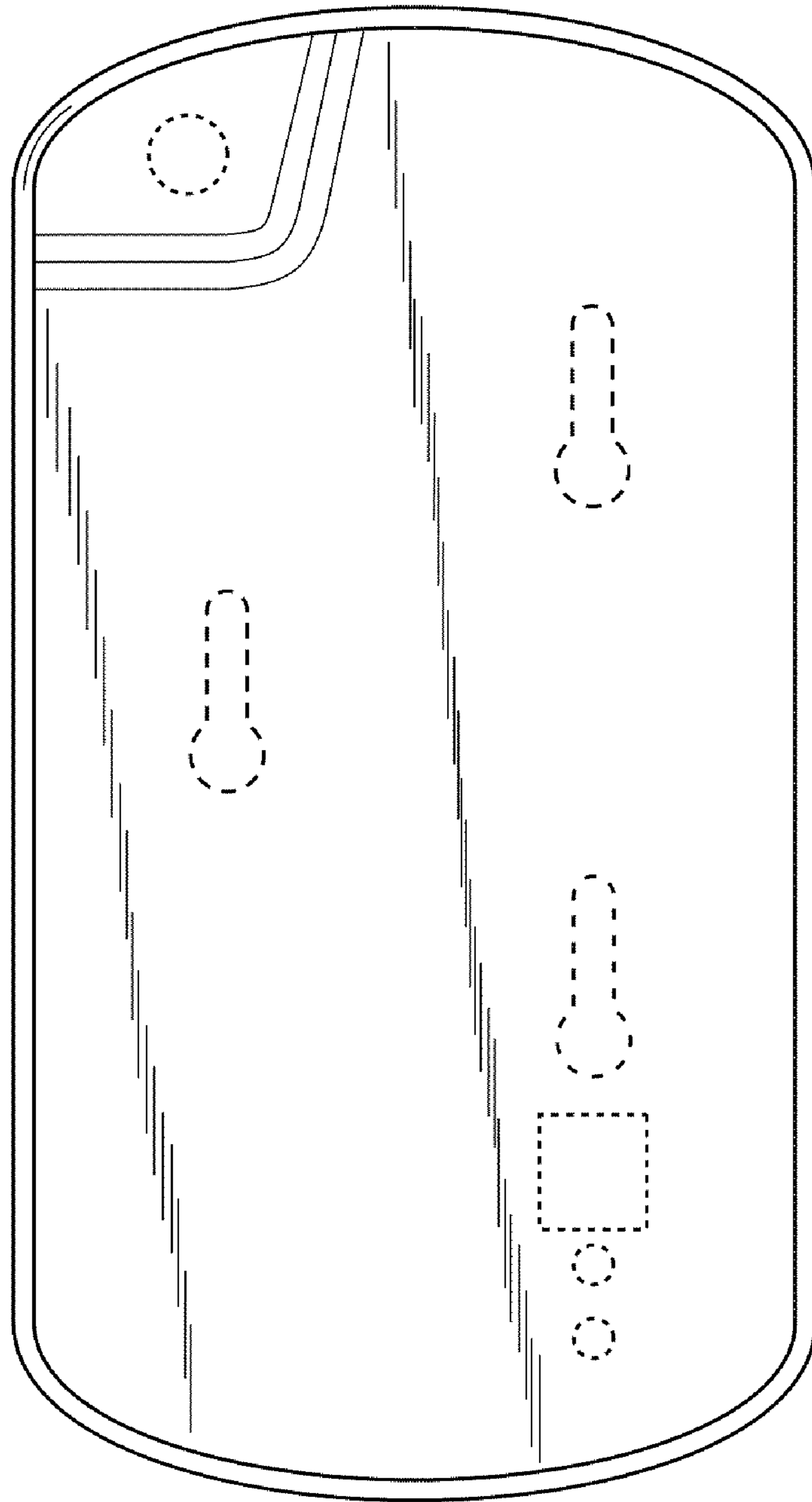


FIG. 2

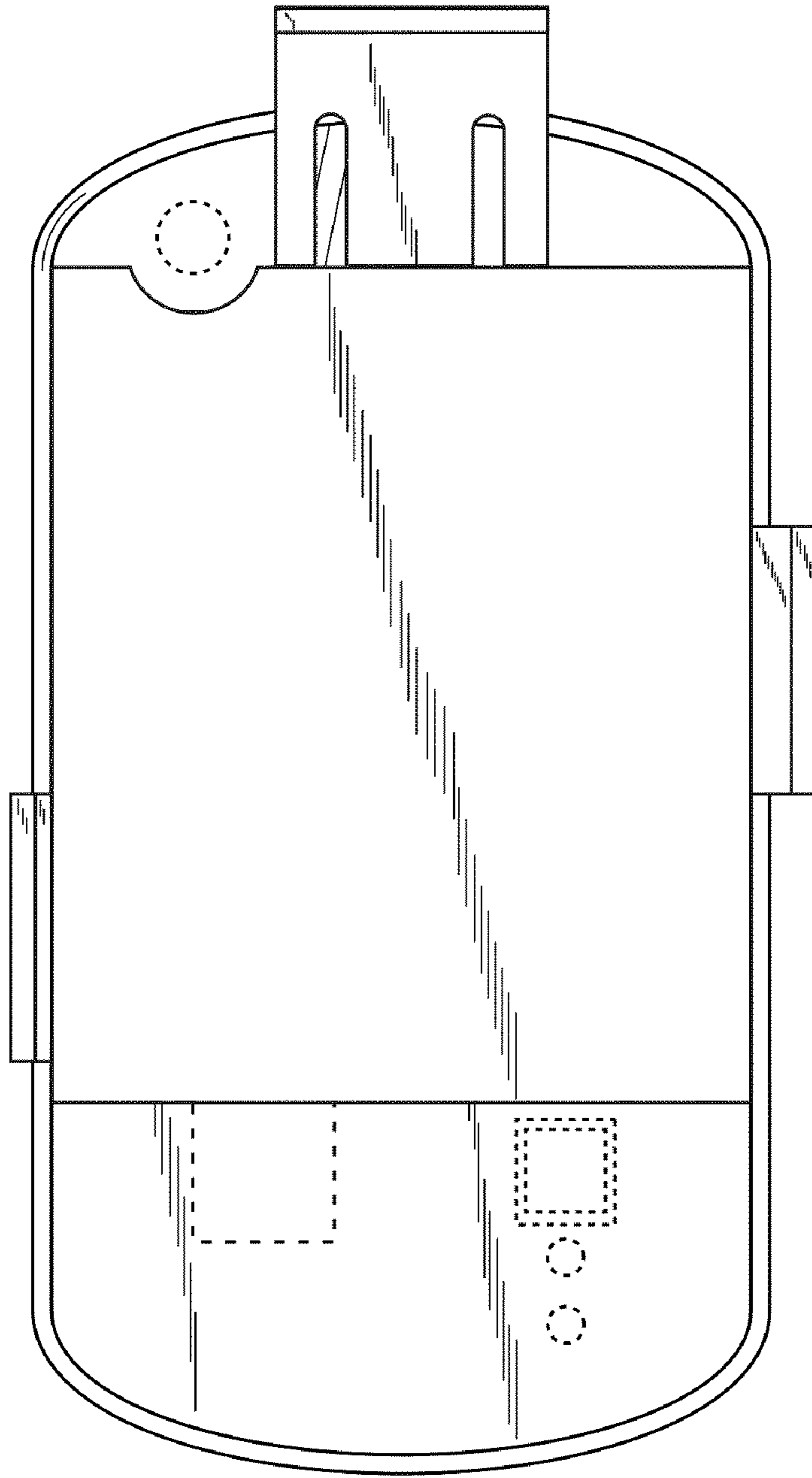


FIG. 3

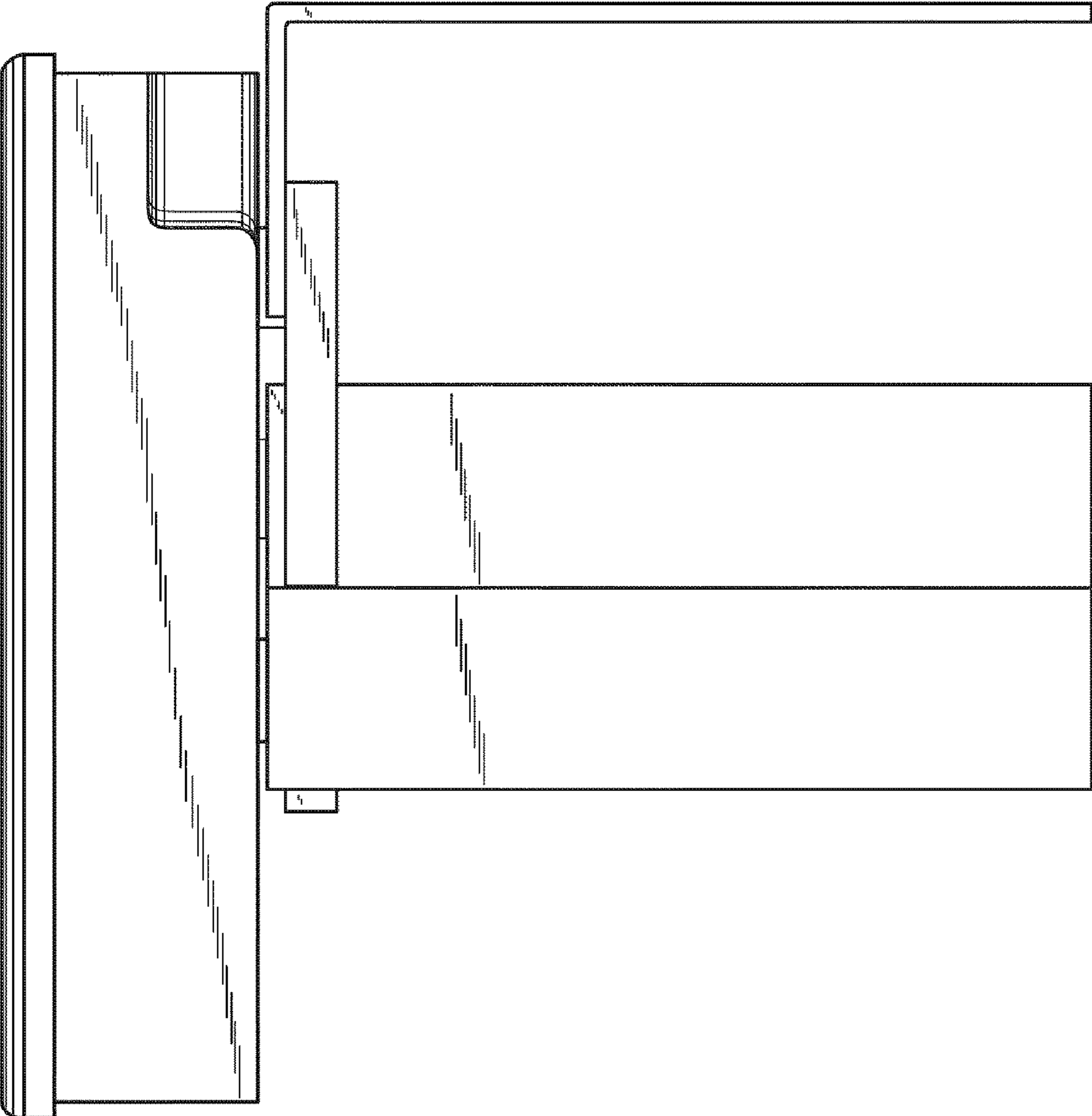


FIG. 4

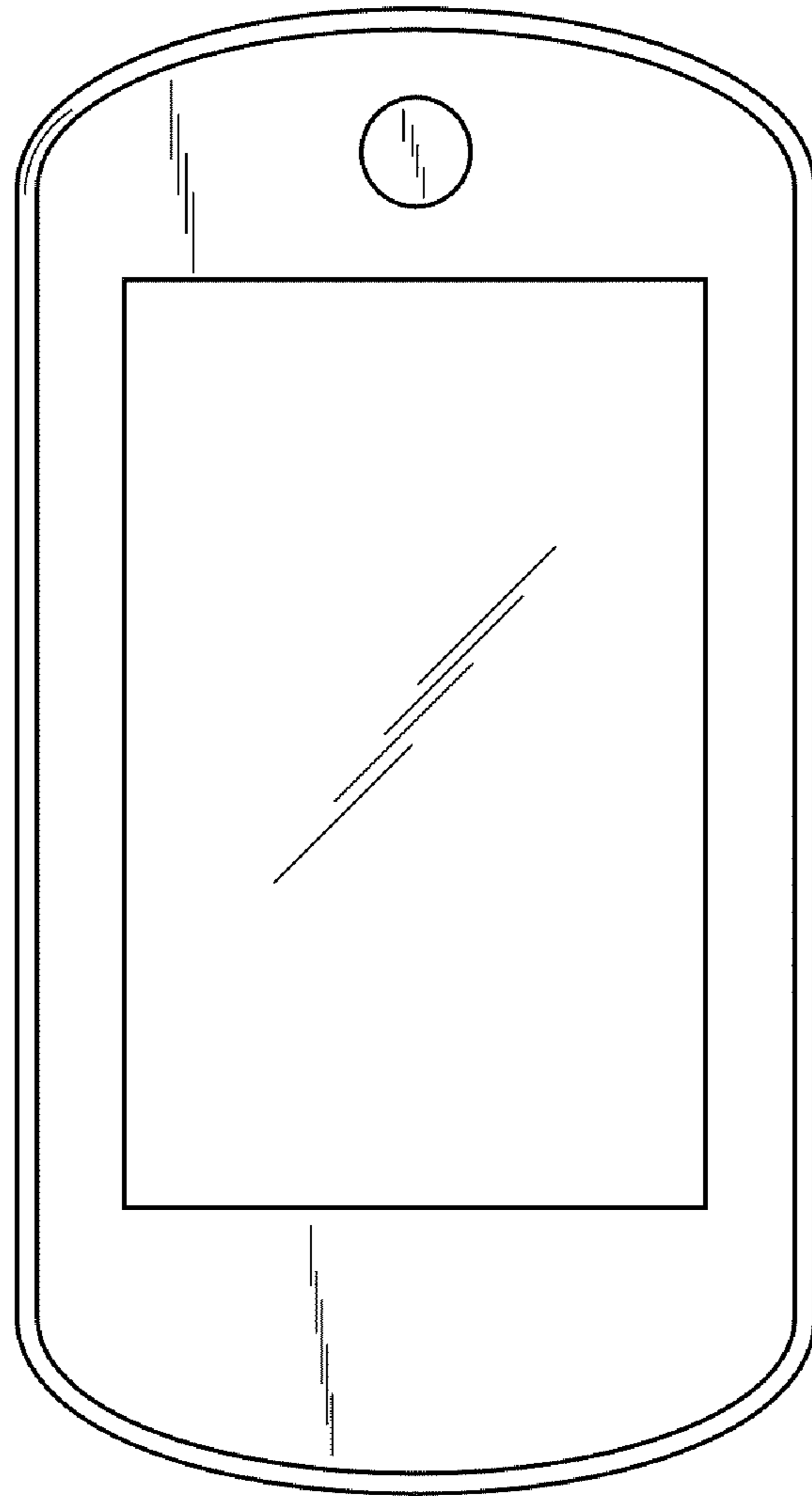


FIG. 5

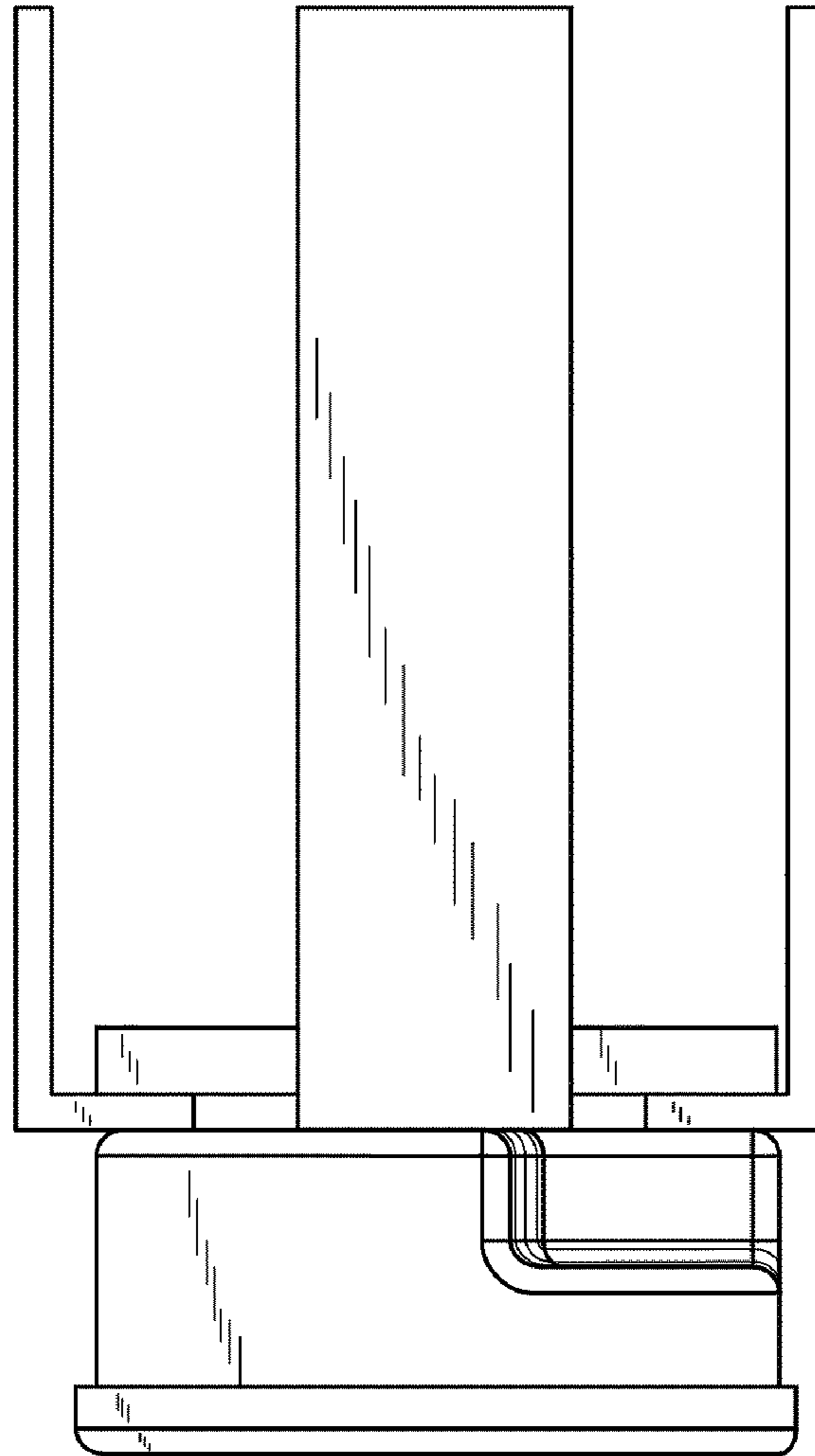


FIG. 6

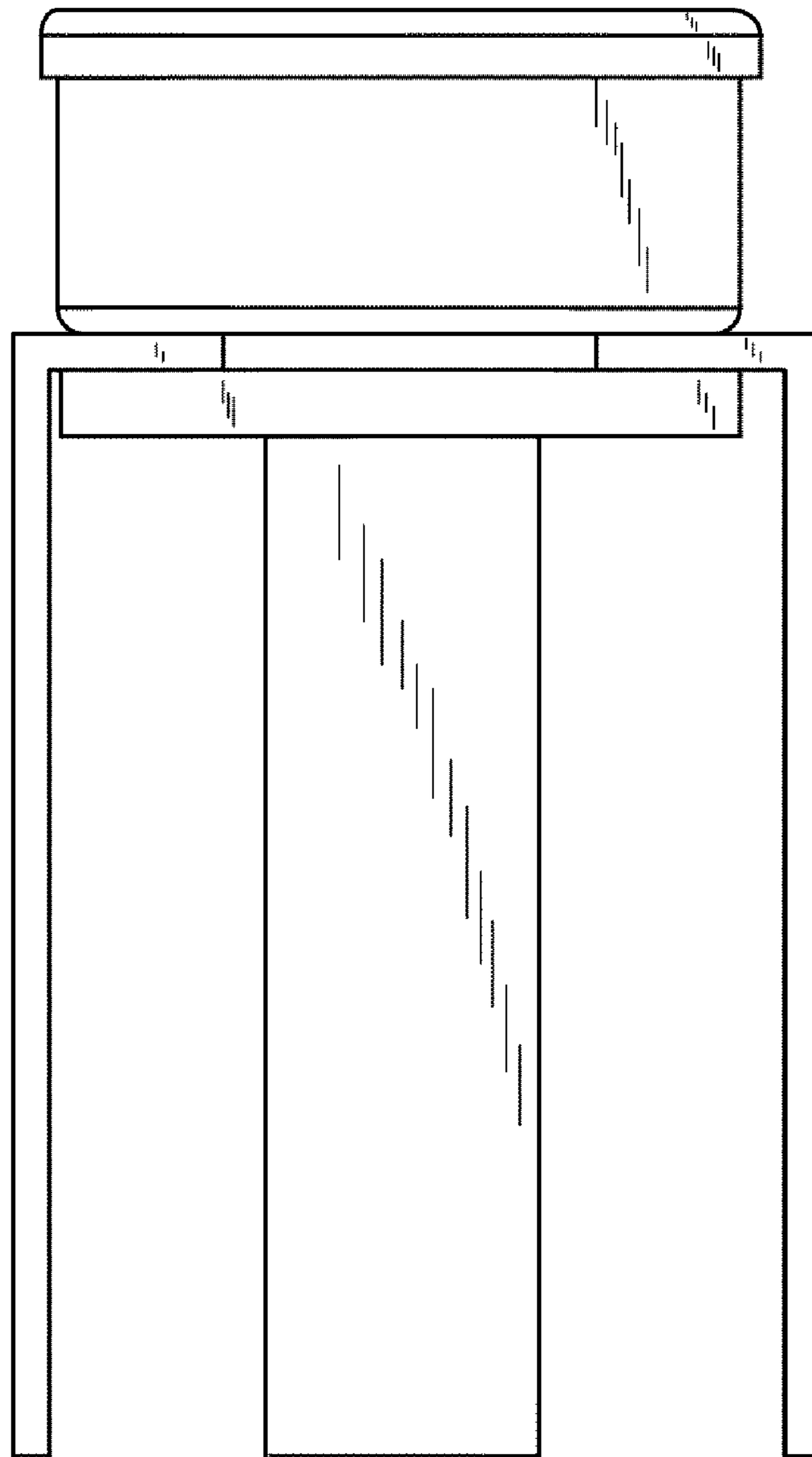


FIG. 7



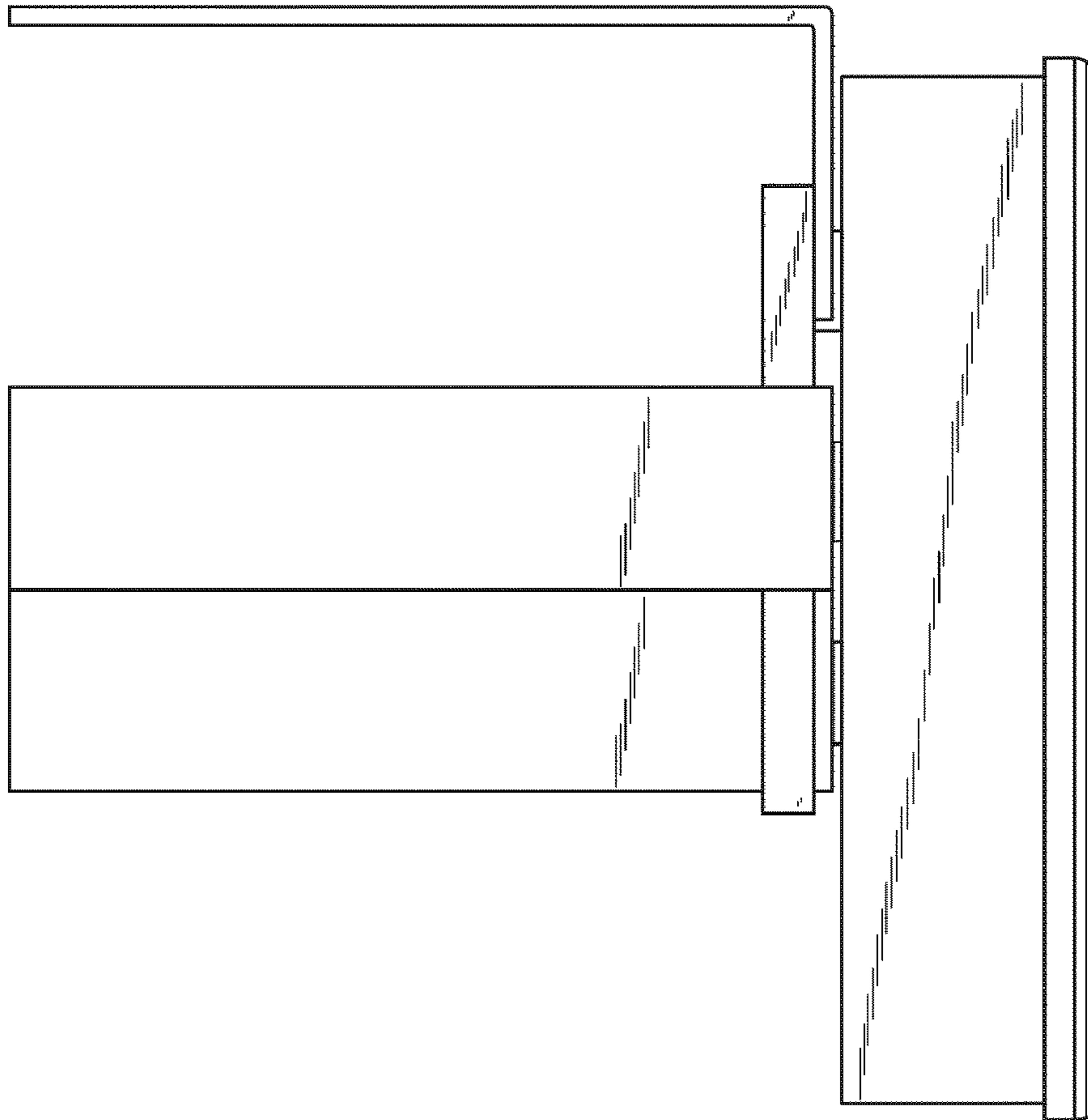


FIG. 8