



US00D643681S

(12) **United States Design Patent**  
**Bodum**

(10) **Patent No.:** **US D643,681 S**

(45) **Date of Patent:** **\*\* \*Aug. 23, 2011**

(54) **SET OF COOKWARE POT HANDLES**

(75) Inventor: **Jørgen Bodum**, Meggen (CH)

(73) Assignee: **PI-Design AG**, Triengen (CH)

(\*\*) Term: **14 Years**

(21) Appl. No.: **29/380,933**

(22) Filed: **Dec. 13, 2010**

**Related U.S. Application Data**

(62) Division of application No. 29/345,911, filed on Oct. 23, 2009, now Pat. No. Des. 631,281.

(30) **Foreign Application Priority Data**

May 7, 2009 (WO) ..... DM/071 809

(51) **LOC (9) Cl.** ..... **07-02**

(52) **U.S. Cl.** ..... **D7/395**

(58) **Field of Classification Search** ..... D7/354-361,  
D7/391, 393-395, 396.2, 514, 664; D8/107,  
D8/300, 301, 306, 315, 316, 317, 319, 320,  
D8/321; 16/430, 431, 110.1, 114.1, 407,  
16/416, 429, 443, 441; 220/377, 573.1-573.5,  
220/752, 753, 755, 756, 760, 772, 773, 912;  
D3/318; 138/121, 145, 173

See application file for complete search history.

(56) **References Cited**

**U.S. PATENT DOCUMENTS**

293,752	A	*	2/1884	Krahenbeihl et al.	.....	138/145
D100,267	S	*	7/1936	Iannelli	.....	D7/395
2,140,157	A		12/1938	Huffman		
D235,730	S	*	7/1975	Bush	.....	D8/306
4,197,611	A		4/1980	Bell et al.		
D266,895	S	*	11/1982	Hellinger et al.	.....	D7/394
D350,273	S	*	9/1994	Jans	.....	D8/317
D368,843	S	*	4/1996	Chieda	.....	D8/317
D370,826	S		6/1996	Thurlow		

D381,252	S	*	7/1997	Chieda	.....	D8/317
D417,080	S	*	11/1999	Korn et al.	.....	D3/318
D469,655	S		2/2003	Ryan et al.		
D477,180	S	*	7/2003	Burton et al.	.....	D7/394
D482,233	S	*	11/2003	Rae	.....	D7/393
D482,929	S	*	12/2003	Rae	.....	D7/394
D496,219	S		9/2004	Rae		
D503,070	S	*	3/2005	Cheng	.....	D7/394
D506,350	S		6/2005	Cheng		
D512,266	S		12/2005	Munari		
D534,031	S		12/2006	Roussard		
D550,536	S	*	9/2007	Ricereto	.....	D8/316
D562,621	S		2/2008	Kloppsteck		
D571,184	S	*	6/2008	Ricereto	.....	D8/316
D579,714	S		11/2008	Cheng et al.		
D589,295	S		3/2009	Rohrer		
D599,164	S		9/2009	Hoekstra		
D617,139	S		6/2010	Rae		
D618,491	S		6/2010	Welk et al.		
2004/0060936	A1		4/2004	Logiudice		

\* cited by examiner

*Primary Examiner* — Cynthia M Chin

(74) *Attorney, Agent, or Firm* — Sughrue Mion, PLLC

(57) **CLAIM**

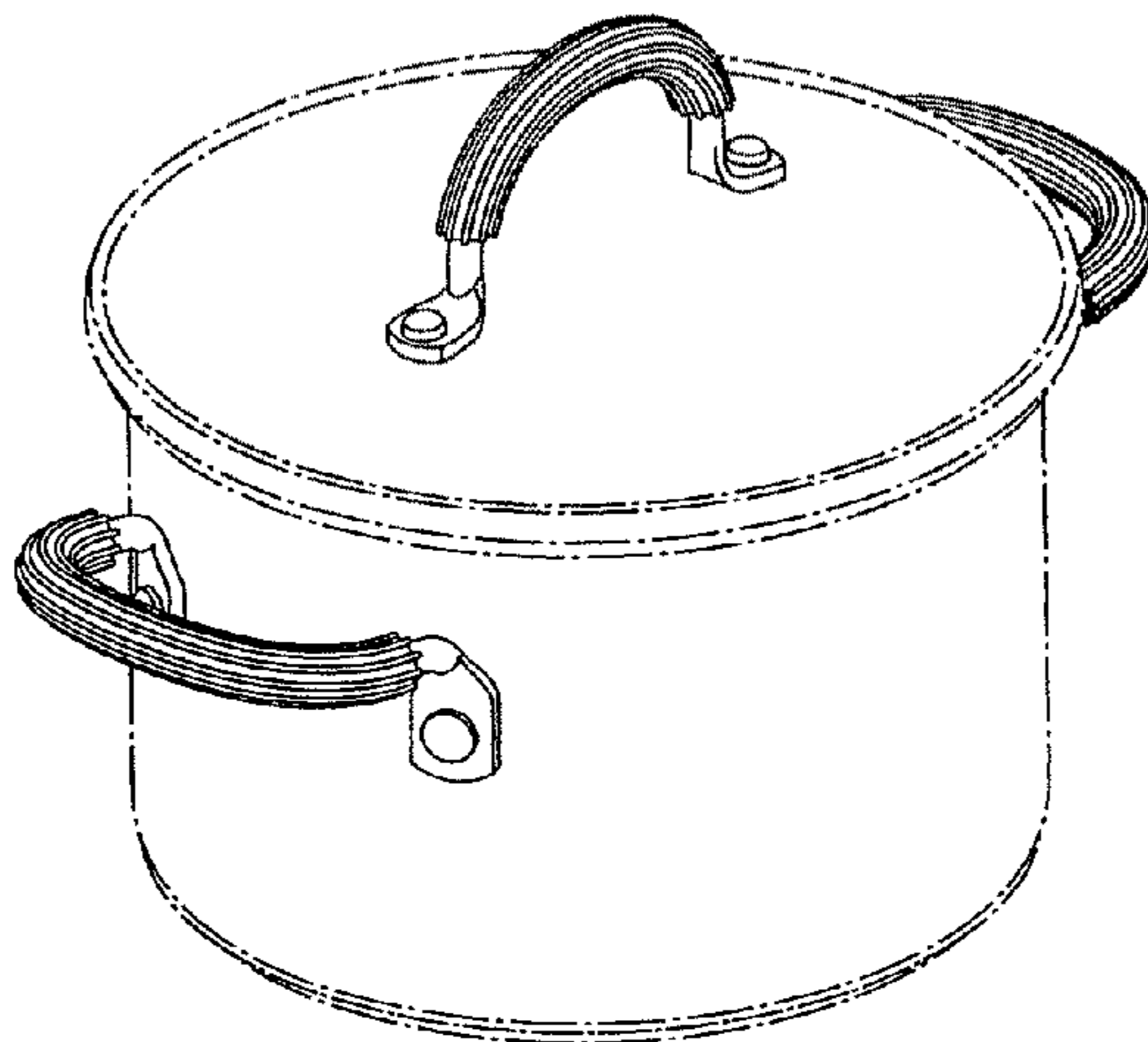
The ornamental design for a set of cookware pot handles, as shown and described.

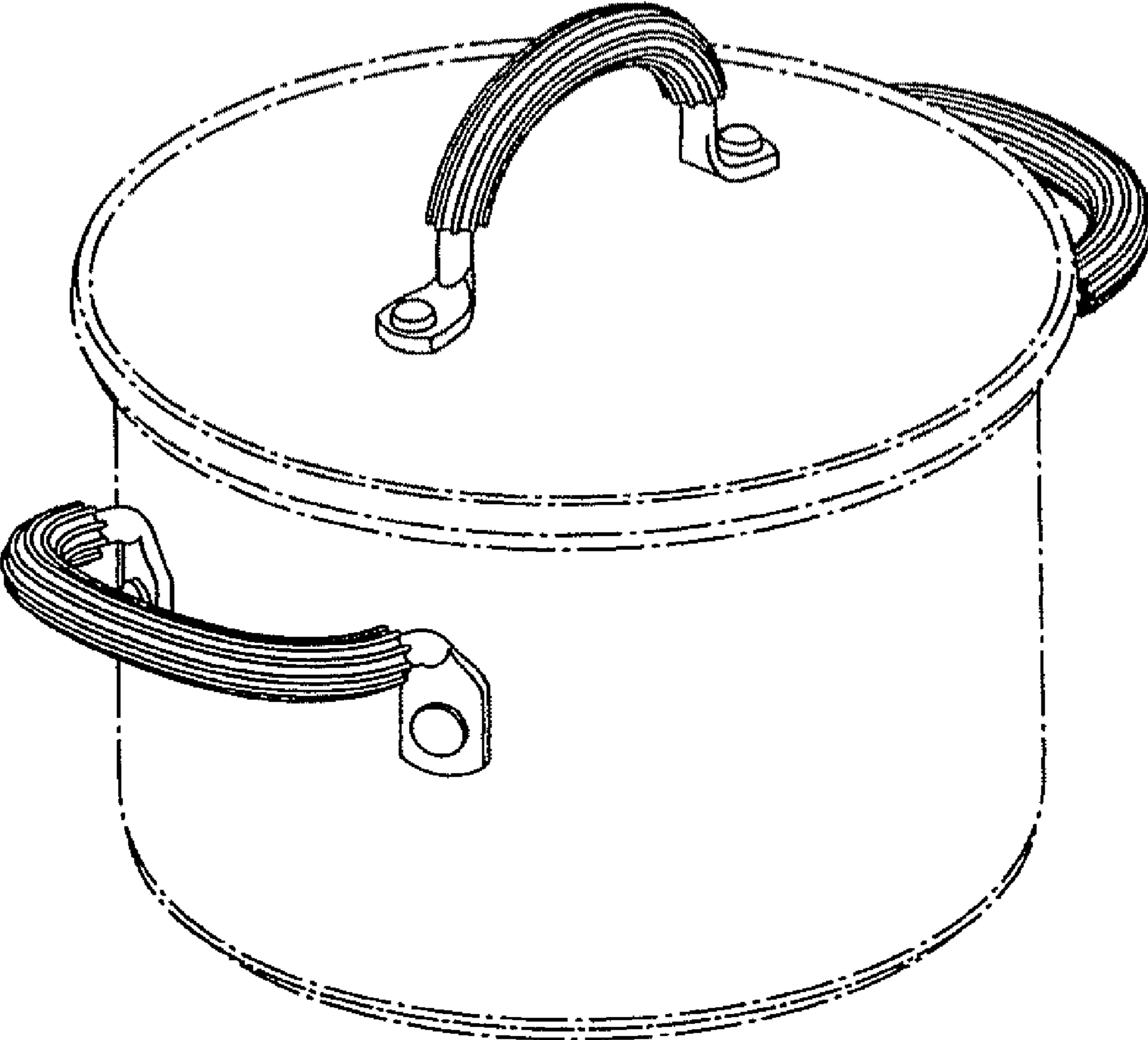
**DESCRIPTION**

FIG. 1 is an isometric perspective view of set of cookware pot handles showing my new design; FIG. 2 is a front view thereof; FIG. 3 is a back view thereof; FIG. 4 is a left view thereof; FIG. 5 is a right view thereof; FIG. 6 is a top view thereof; FIG. 7 is a bottom view thereof; and, FIG. 8 is a cross-section view thereof taken through line 8-8 of FIG. 6.

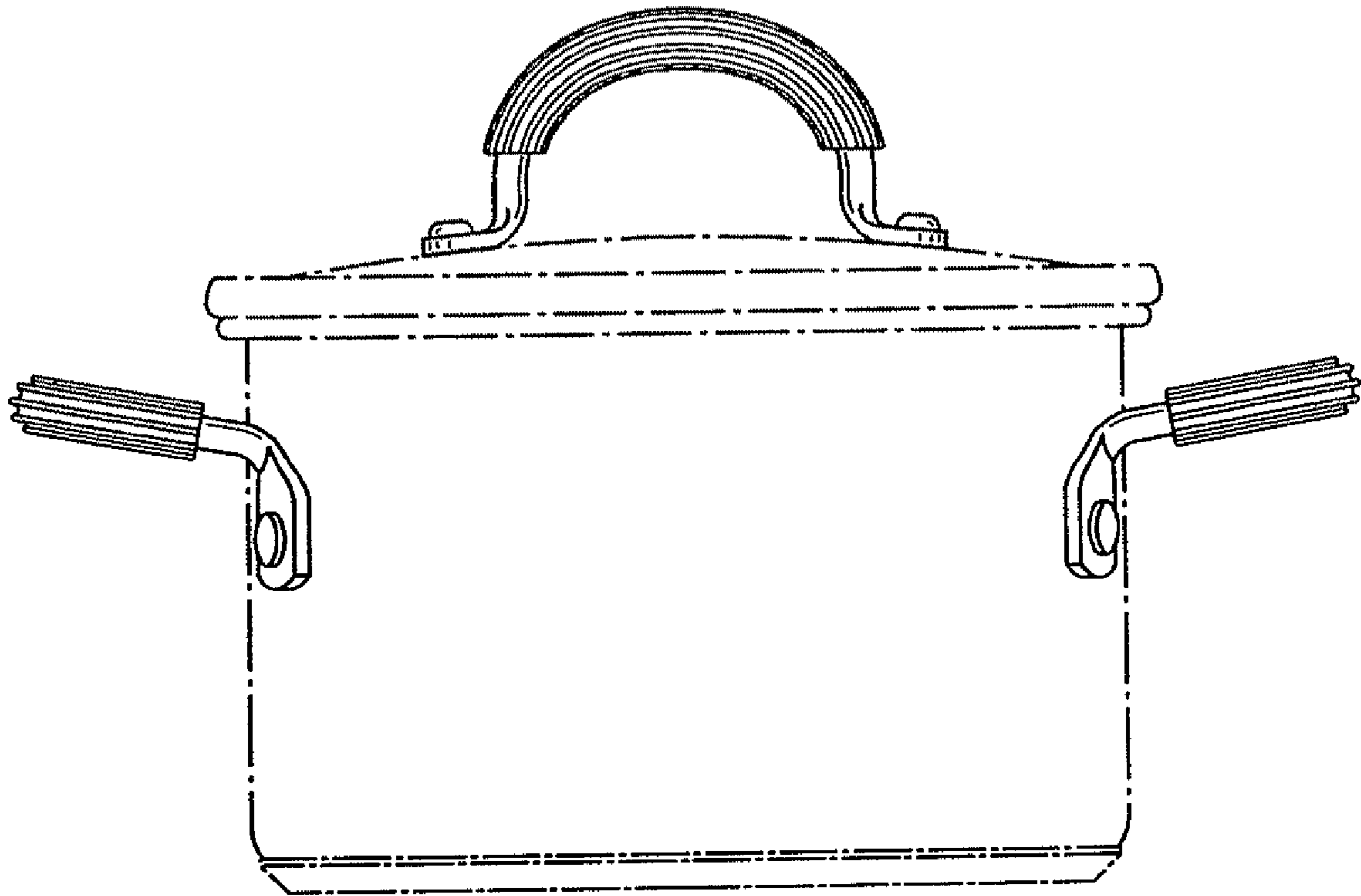
The broken lines depict environmental subject matter only and form no part of the claimed design.

**1 Claim, 8 Drawing Sheets**

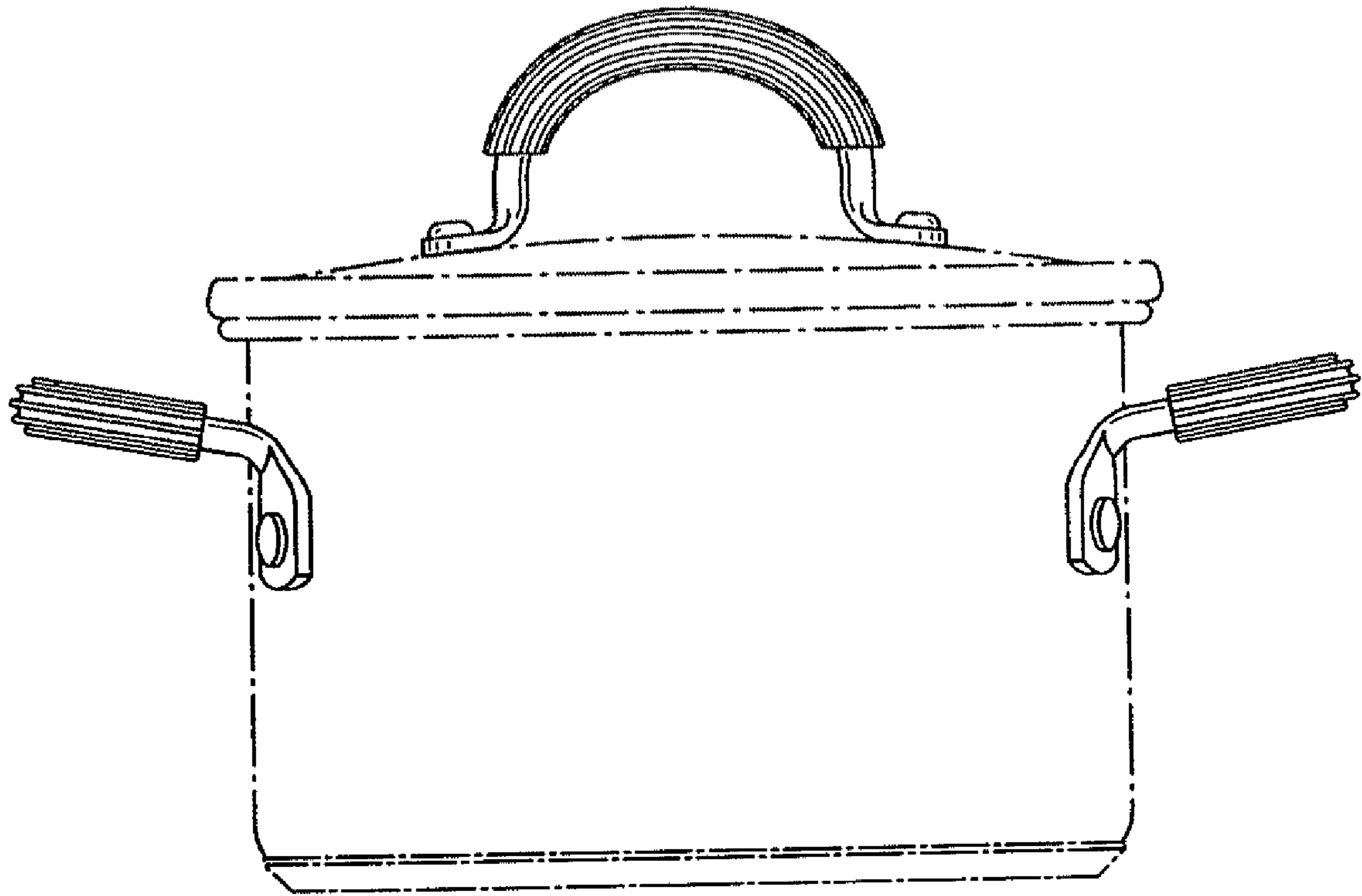




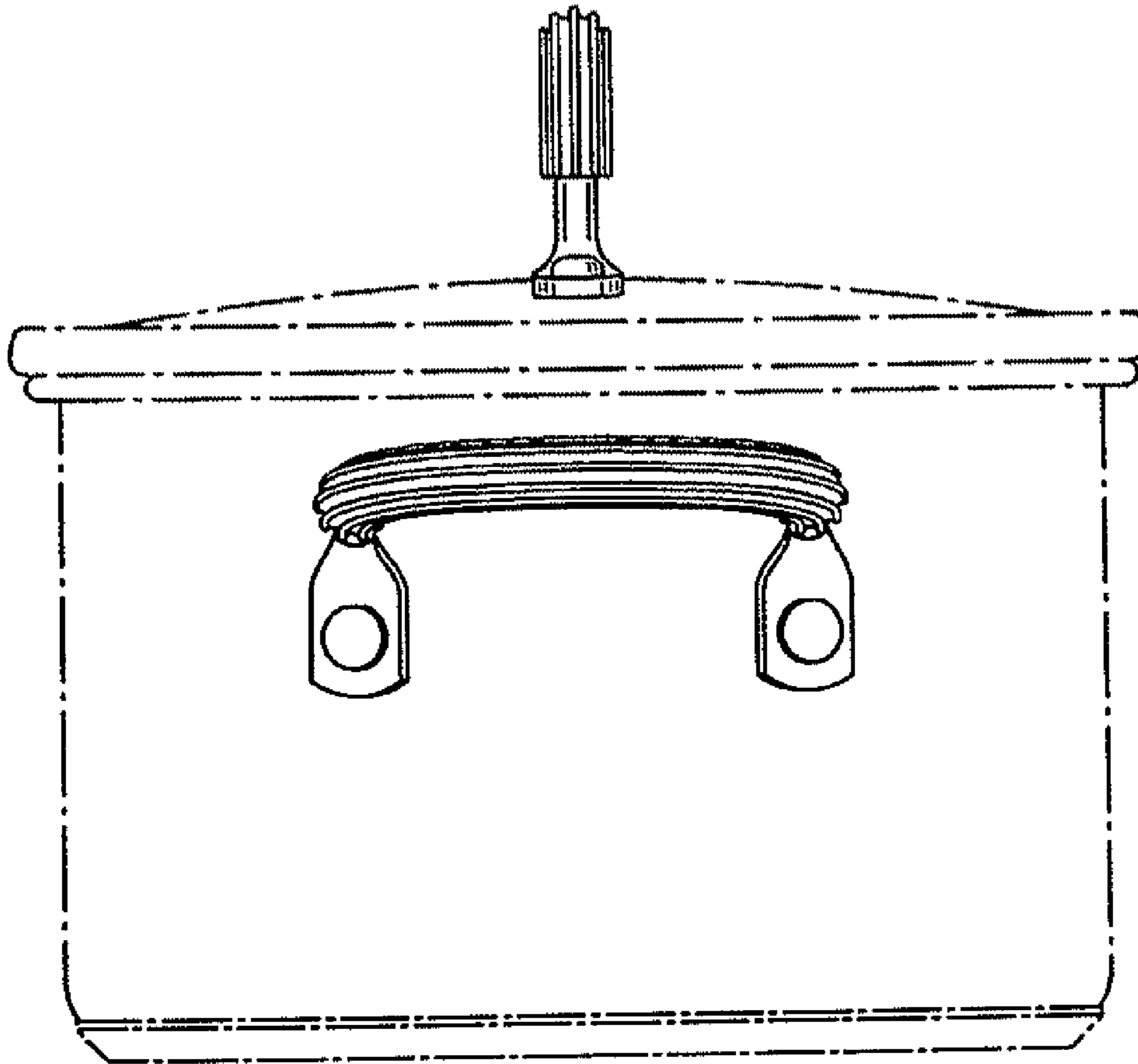
**FIG. 1**



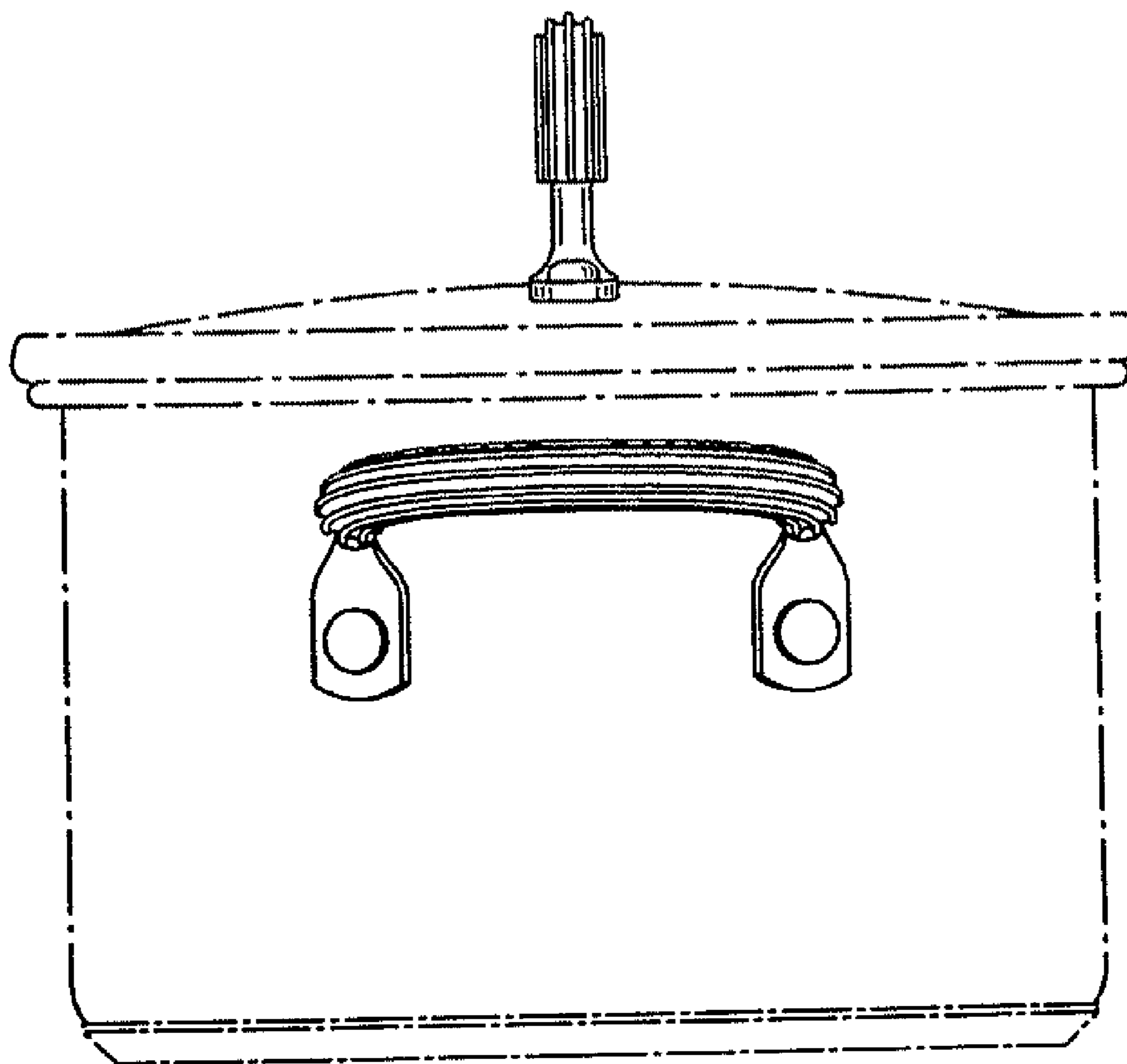
**FIG. 2**



**FIG. 3**



**FIG. 4**



**FIG. 5**



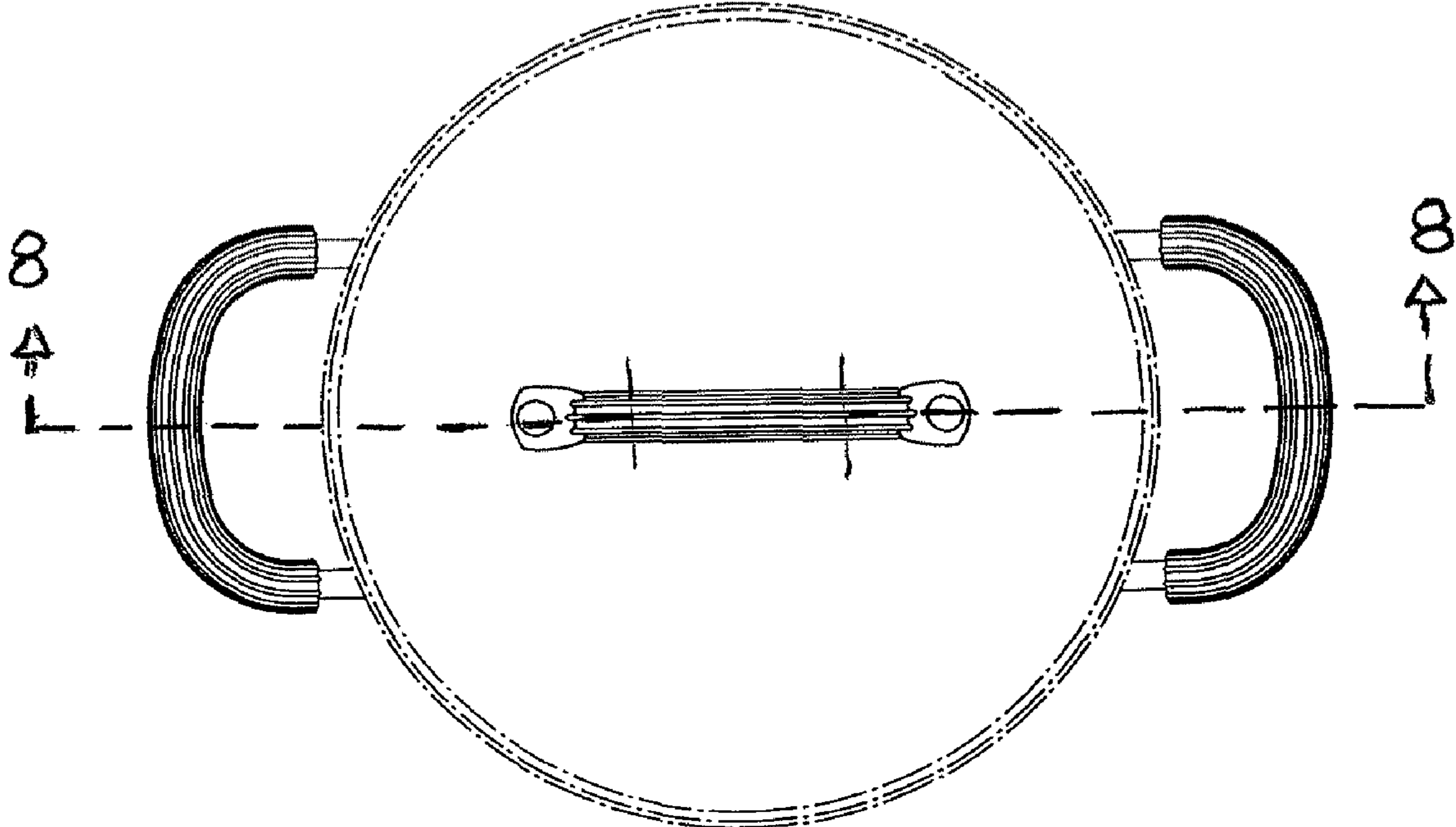
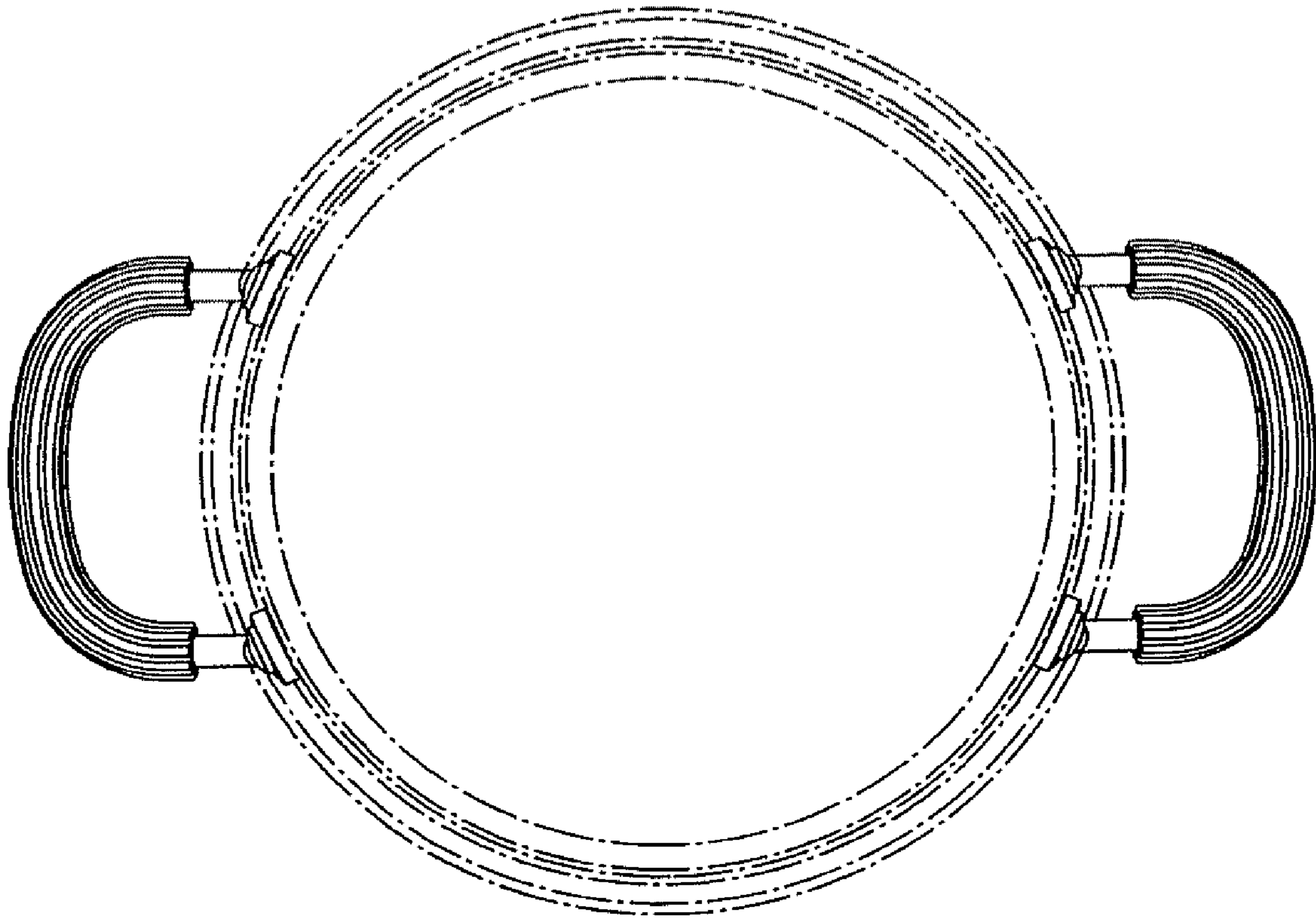


FIG. 6



**FIG. 7**





FIG. 8