

US00D643680S

(12) **United States Design Patent**
Bodum

(10) **Patent No.:** **US D643,680 S**

(45) **Date of Patent:** **** Aug. 23, 2011**

- (54) **COOKWARE HANDLE**
- (75) Inventor: **Jørgen Bodum**, Meggen (CH)
- (73) Assignee: **PI-Design AG**, Triengen (CH)
- (**) Term: **14 Years**
- (21) Appl. No.: **29/380,928**
- (22) Filed: **Dec. 13, 2010**

Related U.S. Application Data

- (62) Division of application No. 29/345,911, filed on Oct. 23, 2009, now Pat. No. Des. 631,281.

(30) **Foreign Application Priority Data**

May 7, 2009 (WO) DM/071 809

- (51) **LOC (9) Cl.** **07-02**
- (52) **U.S. Cl.** **D7/395**
- (58) **Field of Classification Search** D7/354-361, D7/393, 395, 401.2, 642-648, 664, 682-688, D7/692, 691, 693, 694; D8/80, 83, 94, 107, D8/300, 303, 307, 313, 321; D4/138, 129; 16/421, 430, 431, 110.1, 407; 220/573.1-573.5, 220/752, 753, 755, 756, 759, 767, 771, 912; D24/133, 144; 30/640; 138/121, 145, 173
See application file for complete search history.

(56) **References Cited**

U.S. PATENT DOCUMENTS

293,752	A *	2/1884	Krahenbeihl et al.	138/145
D109,355	S *	4/1938	Temple	D8/107
2,140,157	A	12/1938	Huffman		
D166,574	S *	4/1952	Potchen	D7/393
4,197,611	A	4/1980	Bell et al.		
D258,861	S *	4/1981	Bratton et al.	D7/395
4,941,232	A *	7/1990	Decker et al.	16/421
D330,321	S *	10/1992	Berti	D8/107
D348,799	S *	7/1994	Munari	D7/395
D360,346	S *	7/1995	Huttner	D8/321

D360,987	S *	8/1995	Sorenson	D4/138
D370,826	S	6/1996	Thurlow		
D375,433	S *	11/1996	Jorgensen	D7/354
D378,186	S *	2/1997	Braun	D8/107
5,664,520	A *	9/1997	Latimer, III	16/421
D394,783	S *	6/1998	Ancona et al.	D7/395
D401,473	S *	11/1998	Swinford et al.	D7/395
D414,610	S *	10/1999	Davila	D4/138
D469,655	S	2/2003	Ryan et al.		
D496,219	S	9/2004	Rae		
D506,350	S	6/2005	Cheng		
D512,266	S	12/2005	Munari		
D534,031	S	12/2006	Roussard		
D562,621	S	2/2008	Kloppsteck		
D579,714	S	11/2008	Cheng et al.		
D589,295	S	3/2009	Rohrer		
D599,164	S	9/2009	Hoekstra		
D617,139	S	6/2010	Rae		
D618,491	S	6/2010	Welk et al.		
2004/0060936	A1	4/2004	Logiudice		

* cited by examiner

Primary Examiner — Cynthia M Chin

(74) *Attorney, Agent, or Firm* — Sughrue Mion, PLLC

(57) **CLAIM**

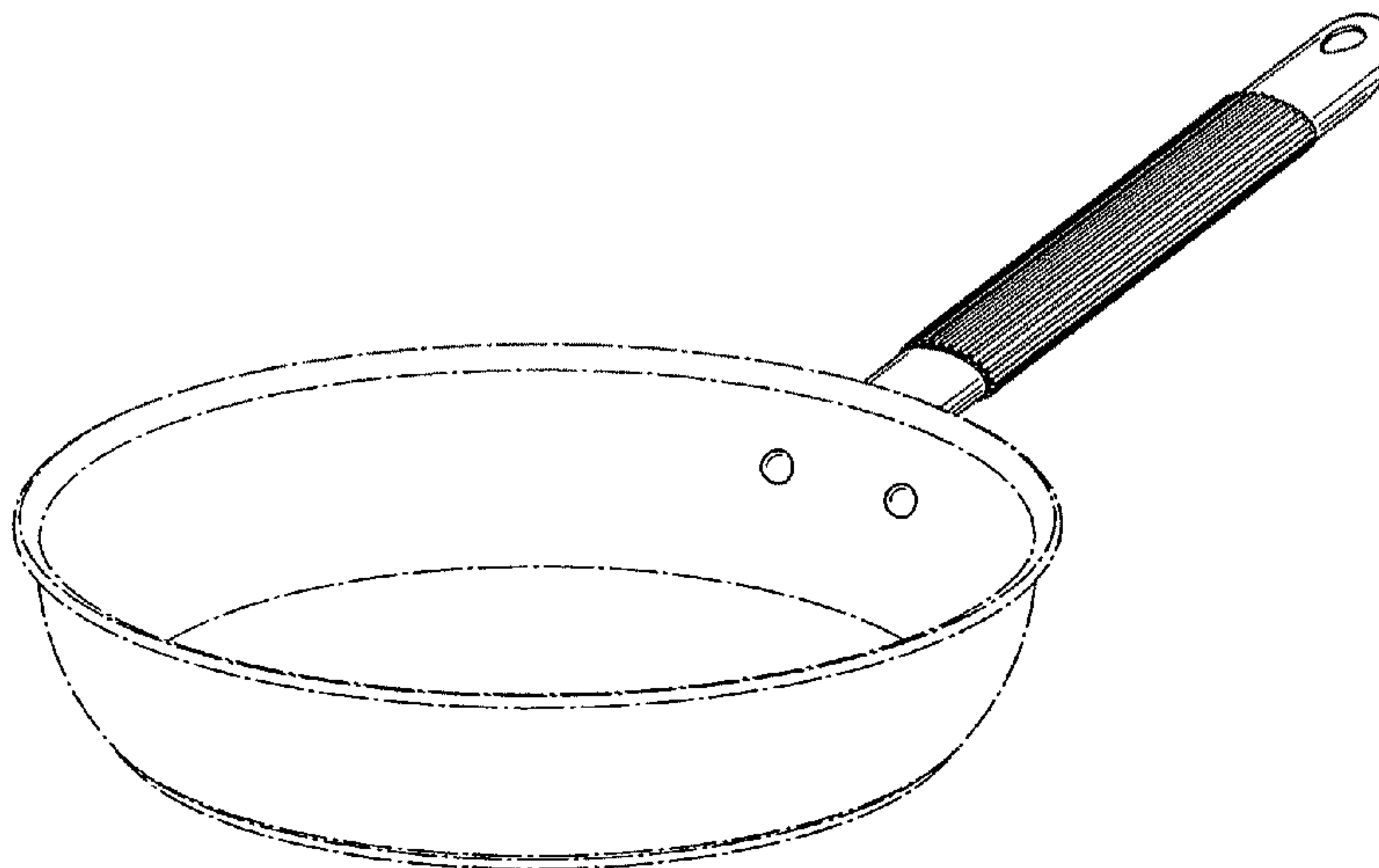
The ornamental design for a cookware handle, as shown and described.

DESCRIPTION

FIG. 1 is an isometric perspective view of cookware handle showing my new design;
 FIG. 2 is a front view thereof;
 FIG. 3 is a back view thereof
 FIG. 4 is a left view thereof;
 FIG. 5 is a right view thereof;
 FIG. 6 is a top view thereof;
 FIG. 7 is a bottom view thereof; and,
 FIG. 8 is a cross-section view thereof taken through line 8-8 of FIG. 6.

The broken lines depict environmental subject matter only and form no part of the claimed design.

1 Claim, 8 Drawing Sheets



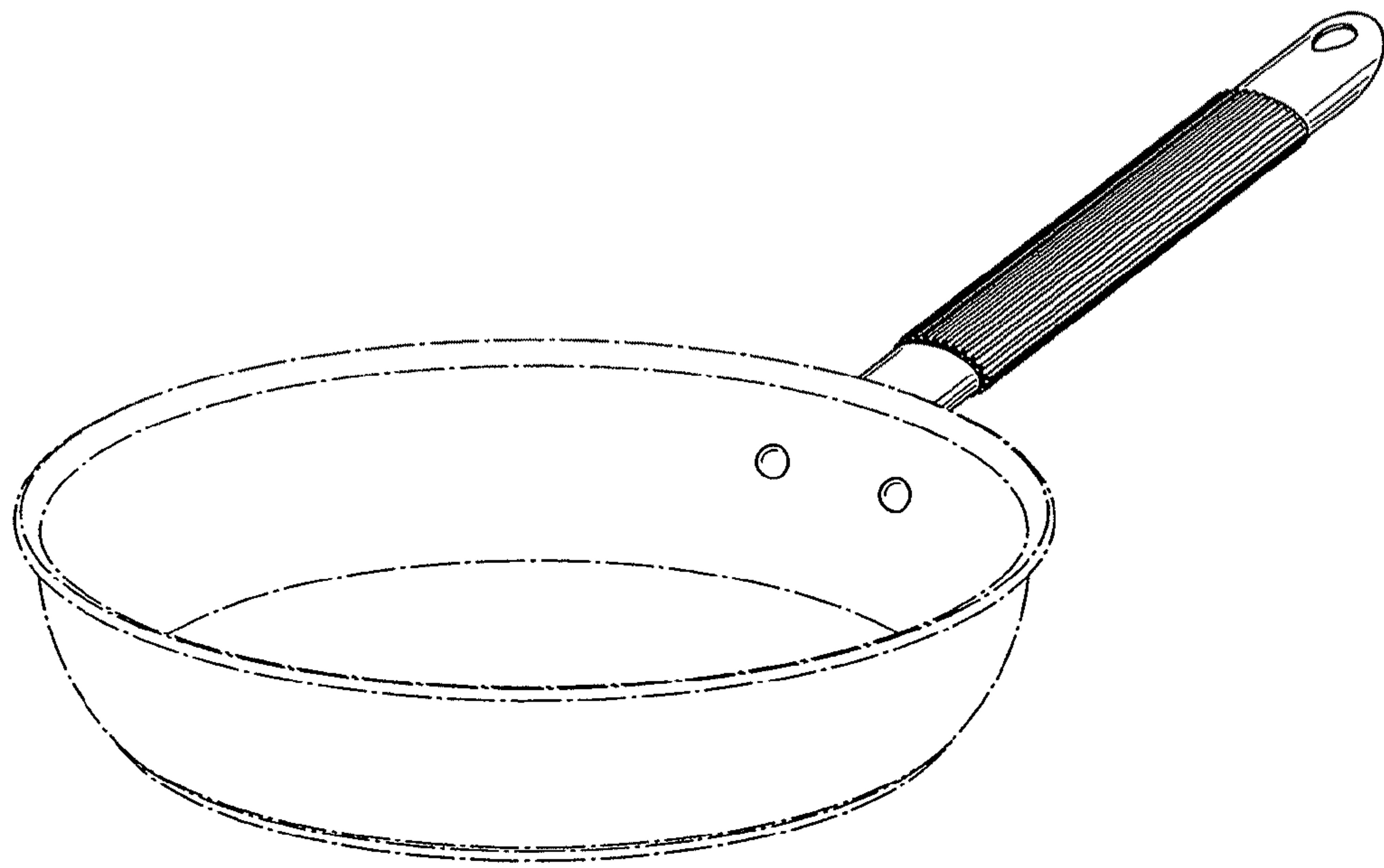


FIG. 1

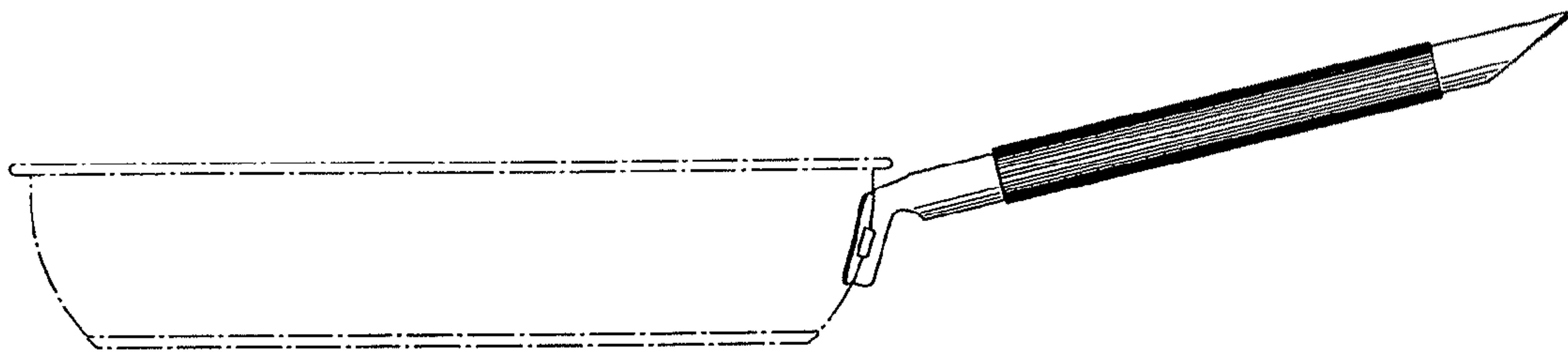


FIG. 2

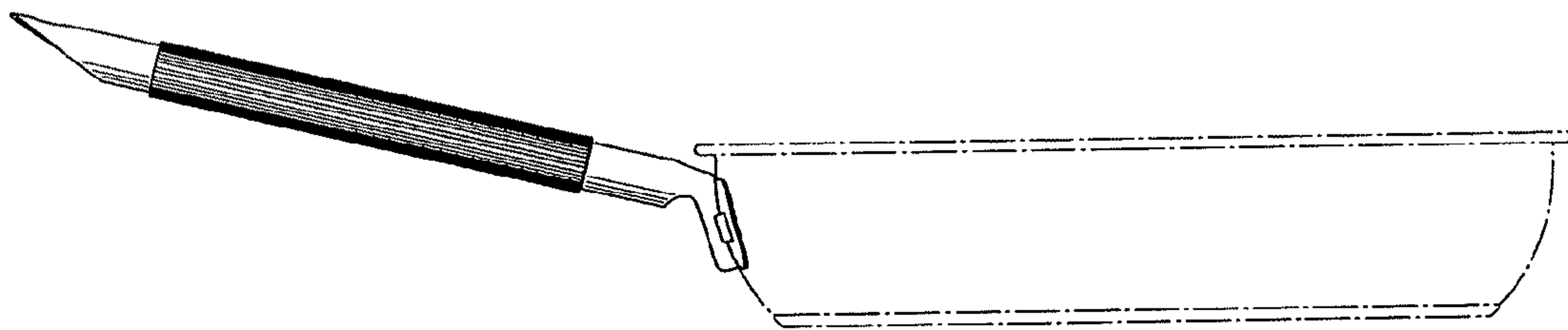


FIG. 3

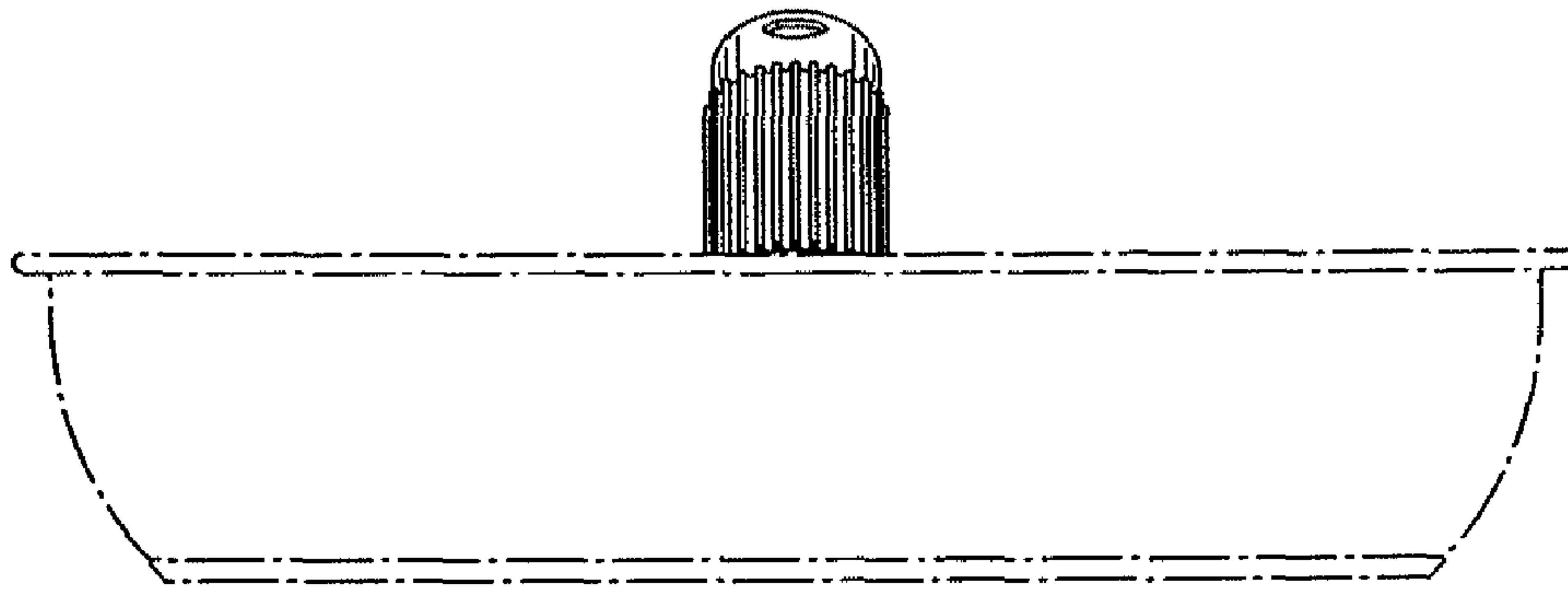


FIG. 4

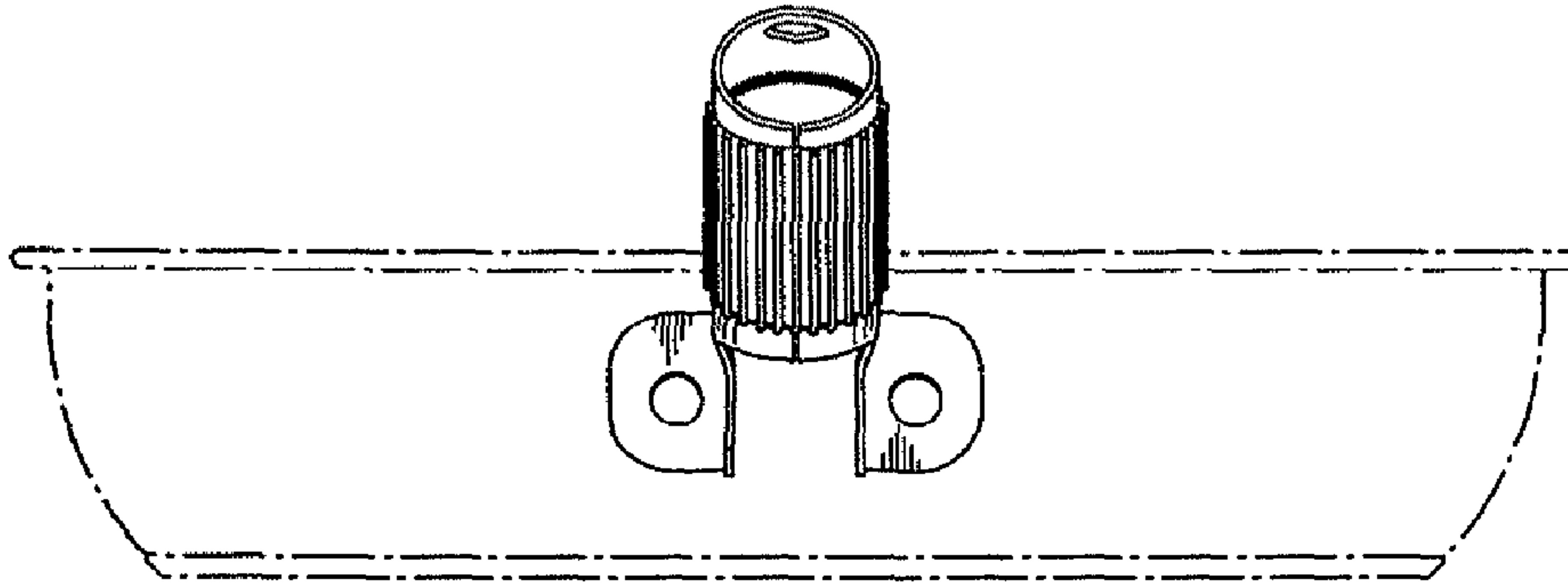


FIG. 5

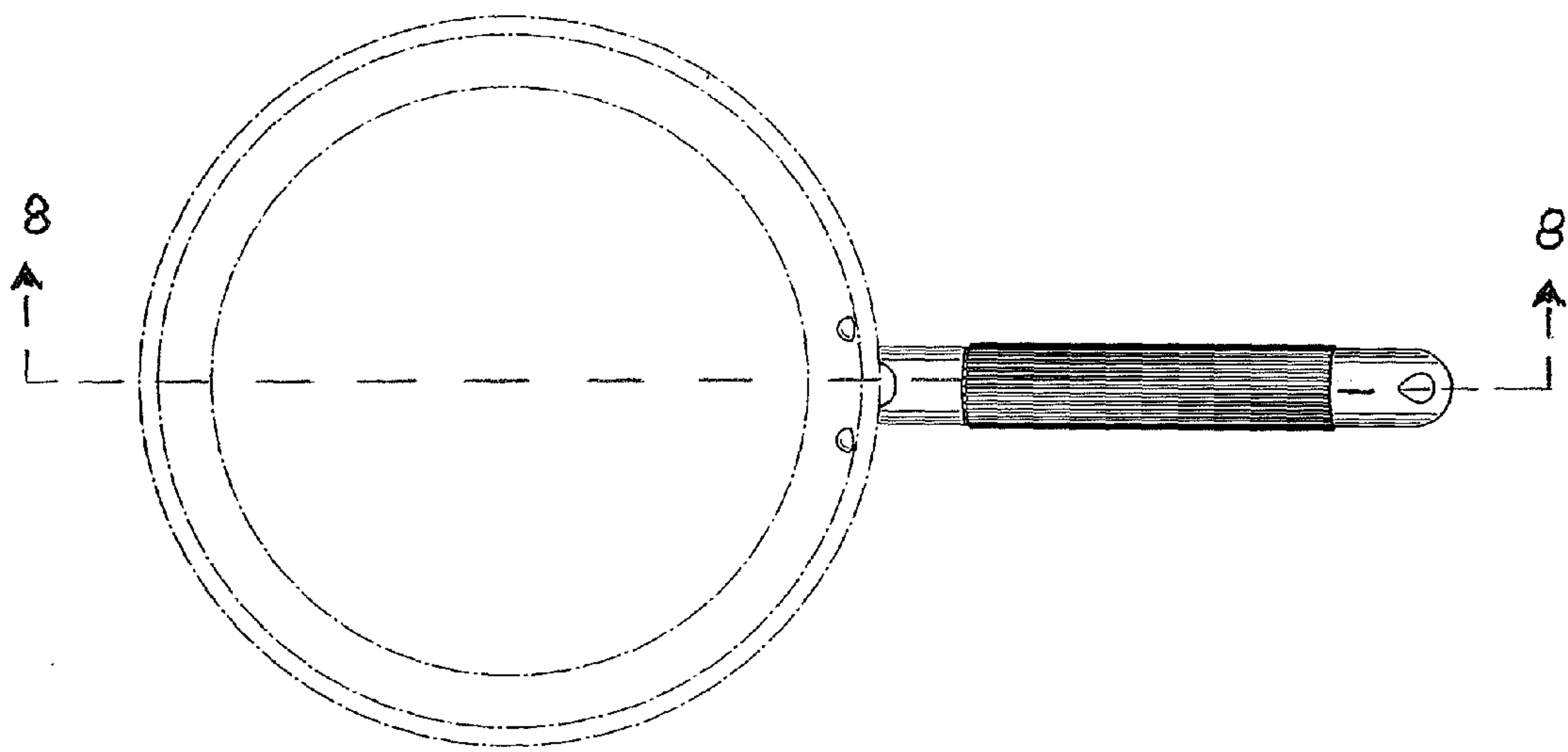


FIG. 6

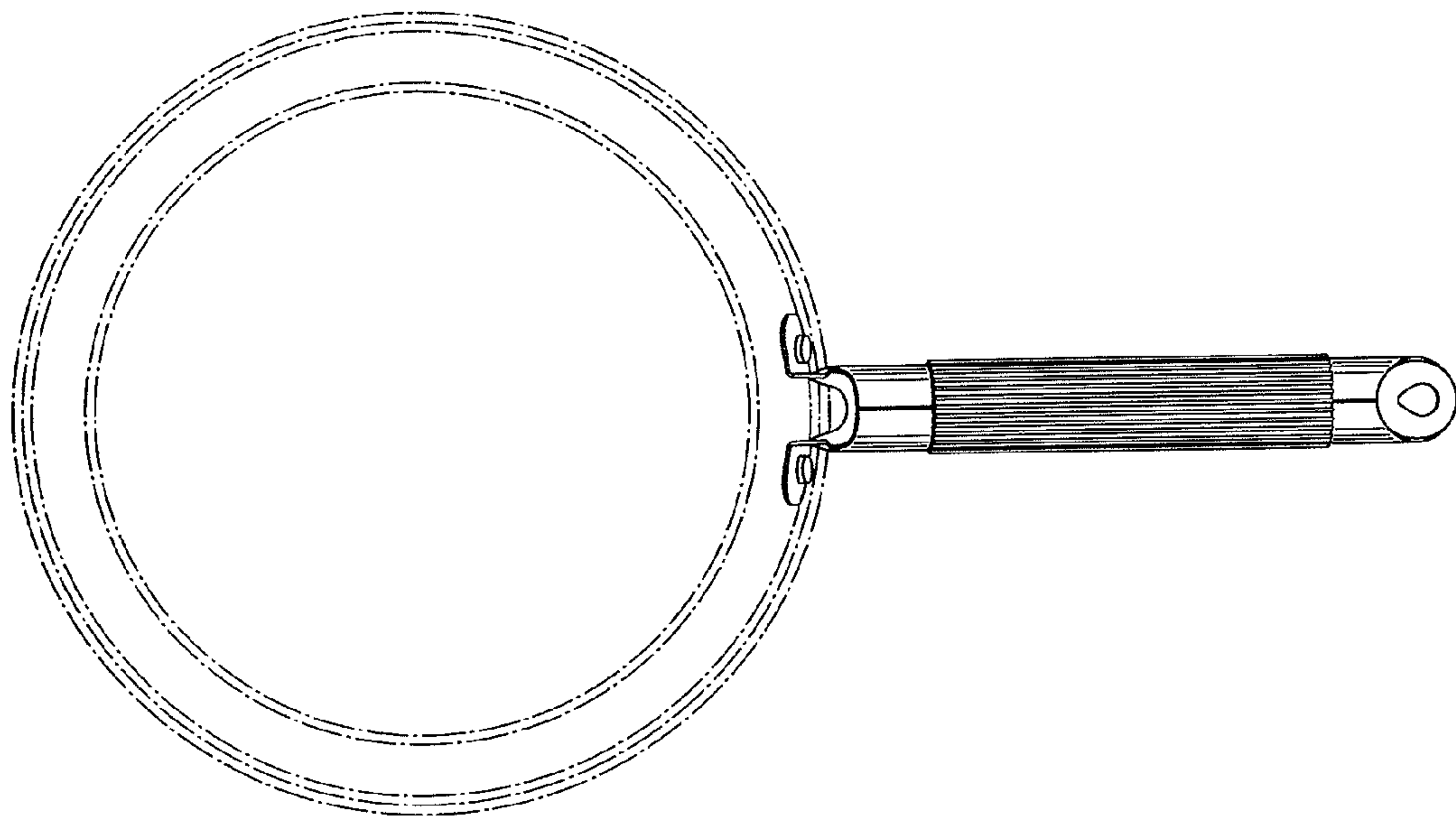


FIG. 7

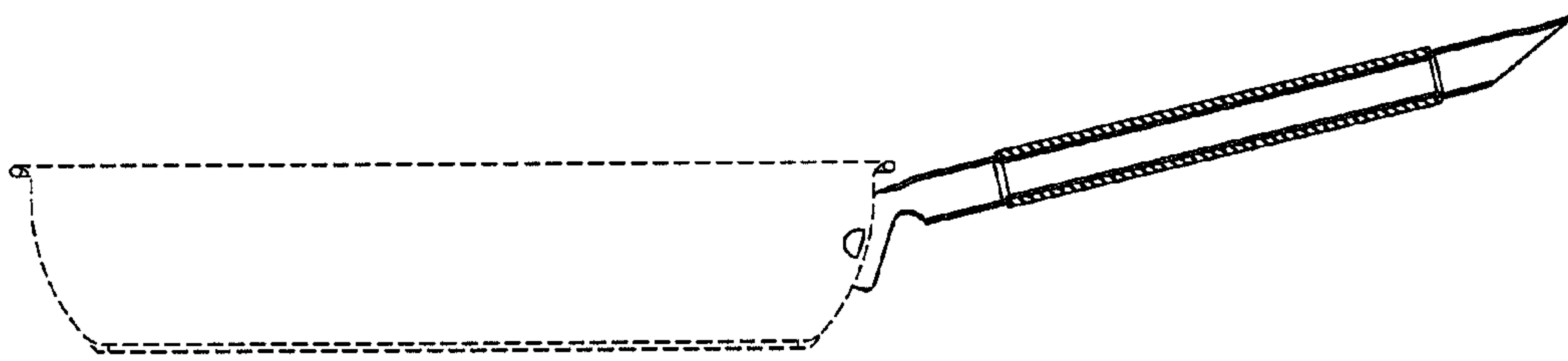


FIG. 8