



US00D643676S

(12) **United States Design Patent**  
**Lavy et al.**

(10) **Patent No.:** **US D643,676 S**

(45) **Date of Patent:** **\*\* Aug. 23, 2011**

(54) **COOKER**

(76) Inventors: **Danny Lavy**, Westmount (CA); **Shae Hong**, Los Angeles, CA (US)

(\*\*) Term: **14 Years**

(21) Appl. No.: **29/383,320**

(22) Filed: **Jan. 14, 2011**

(51) **LOC (9) Cl.** ..... **07-02**

(52) **U.S. Cl.** ..... **D7/364; D7/352; D7/362**

(58) **Field of Classification Search** ..... D7/323,  
D7/328-332, 334-341, 347-348, 350.1, 351-363;  
99/324-325, 331, 339-340, 349, 353, 358,  
99/369, 372-377, 380-389, 392, 425, 444;  
219/386, 524-525, 620-622, 732-734; 425/293,  
425/346; 426/549

See application file for complete search history.

(56) **References Cited**

**U.S. PATENT DOCUMENTS**

D299,609 S *	1/1989	Madl .....	D7/352
D411,937 S *	7/1999	Siegler et al. ....	D7/352
D413,760 S *	9/1999	Tsai et al. ....	D7/352
D419,823 S *	2/2000	Choi .....	D7/352
D446,074 S *	8/2001	Barker .....	D7/352
D462,566 S *	9/2002	Wu .....	D7/352
D463,950 S *	10/2002	Wu .....	D7/352
D464,230 S *	10/2002	Wu .....	D7/352
D467,766 S *	12/2002	Wanat et al. ....	D7/352

D522,306 S *	6/2006	Wilgus et al. ....	D7/337
D543,410 S *	5/2007	Cohen et al. ....	D7/352
D594,693 S *	6/2009	Hsu .....	D7/354
D602,732 S *	10/2009	Busse et al. ....	D7/352

\* cited by examiner

*Primary Examiner* — Ricky Pham

(74) *Attorney, Agent, or Firm* — Husch Blackwell LLP

(57) **CLAIM**

The ornamental designs for a cooker, substantially as shown and described.

**DESCRIPTION**

FIG. 1 is a perspective view of the cooker in a closed position in accordance with the present invention;

FIG. 2 is a left side view of the cooker shown in FIG. 1;

FIG. 3 is a right side view of the cooker shown in FIG. 1;

FIG. 4 is a front view of the cooker shown in FIG. 1;

FIG. 5 is a rear view of the cooker shown in FIG. 1.

FIG. 6 is a top view of the cooker shown in FIG. 1.

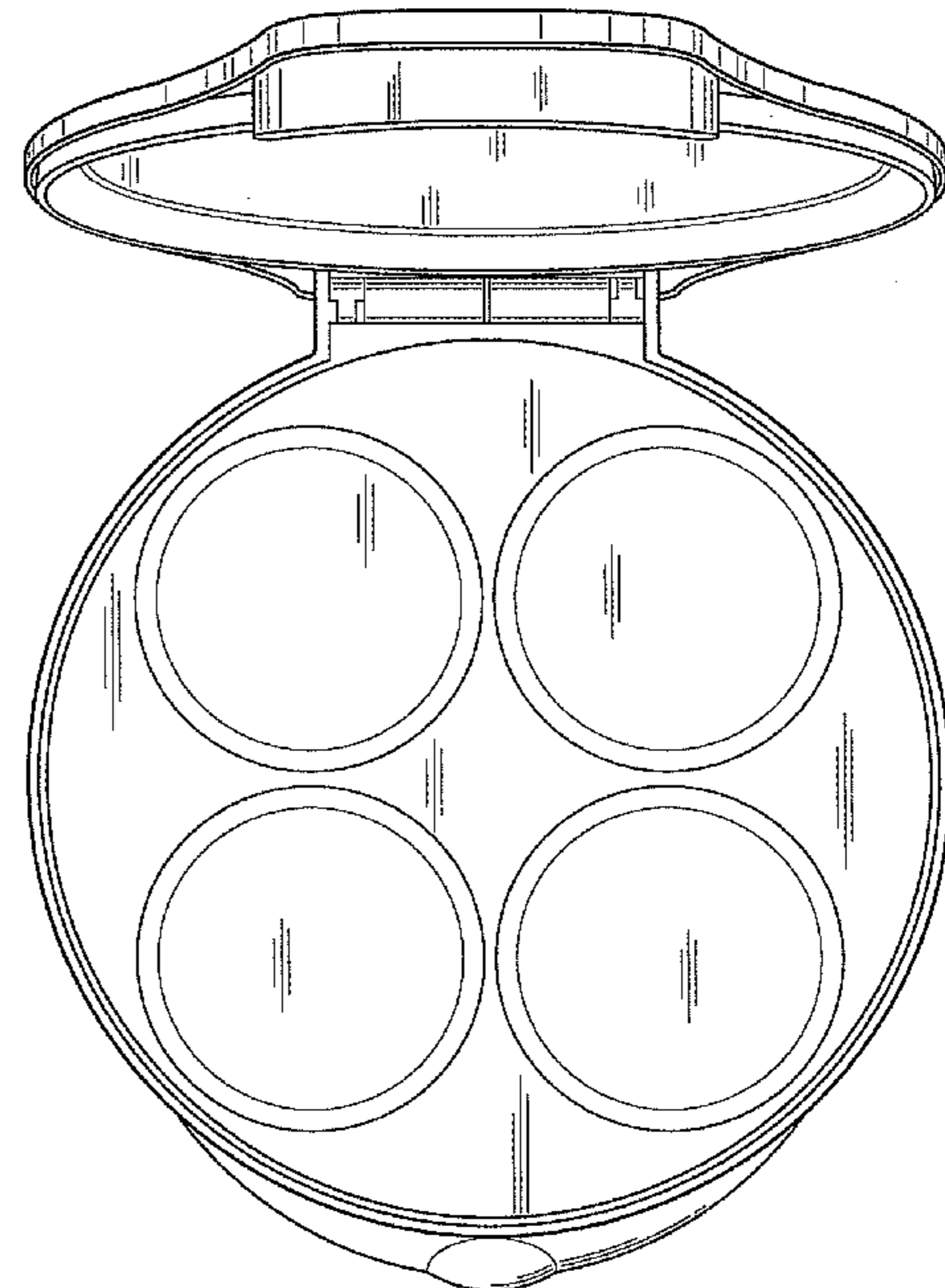
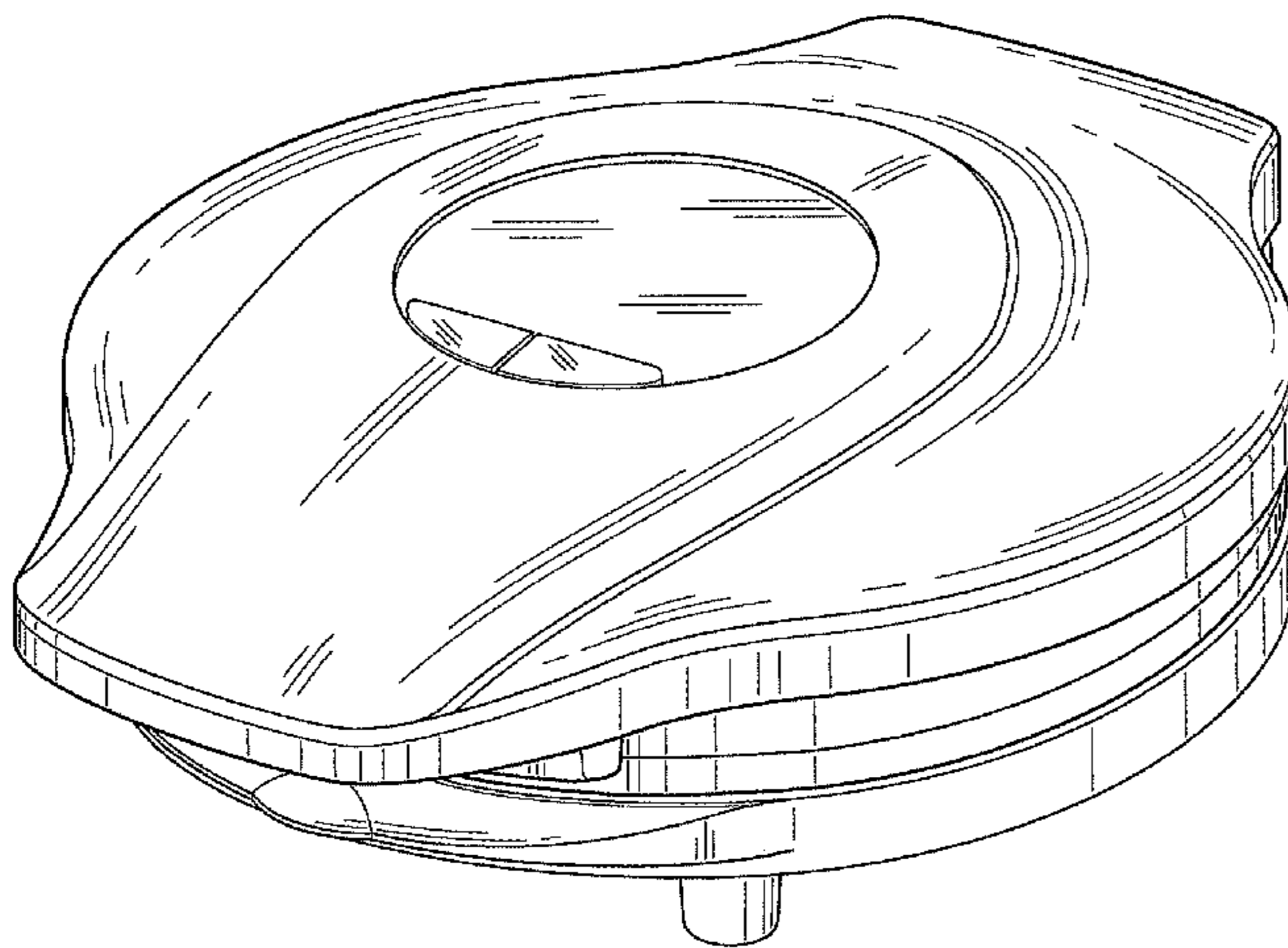
FIG. 7 is a bottom view of the cooker shown in FIG. 1.

FIG. 8 is a perspective view of the cooker shown in FIG. 1 in an open position.

FIG. 9 is a front view of the cooker shown in FIG. 1 in an open position; and,

FIG. 10 is a top view of the cooker shown in FIG. 1 in an open position.

**1 Claim, 7 Drawing Sheets**



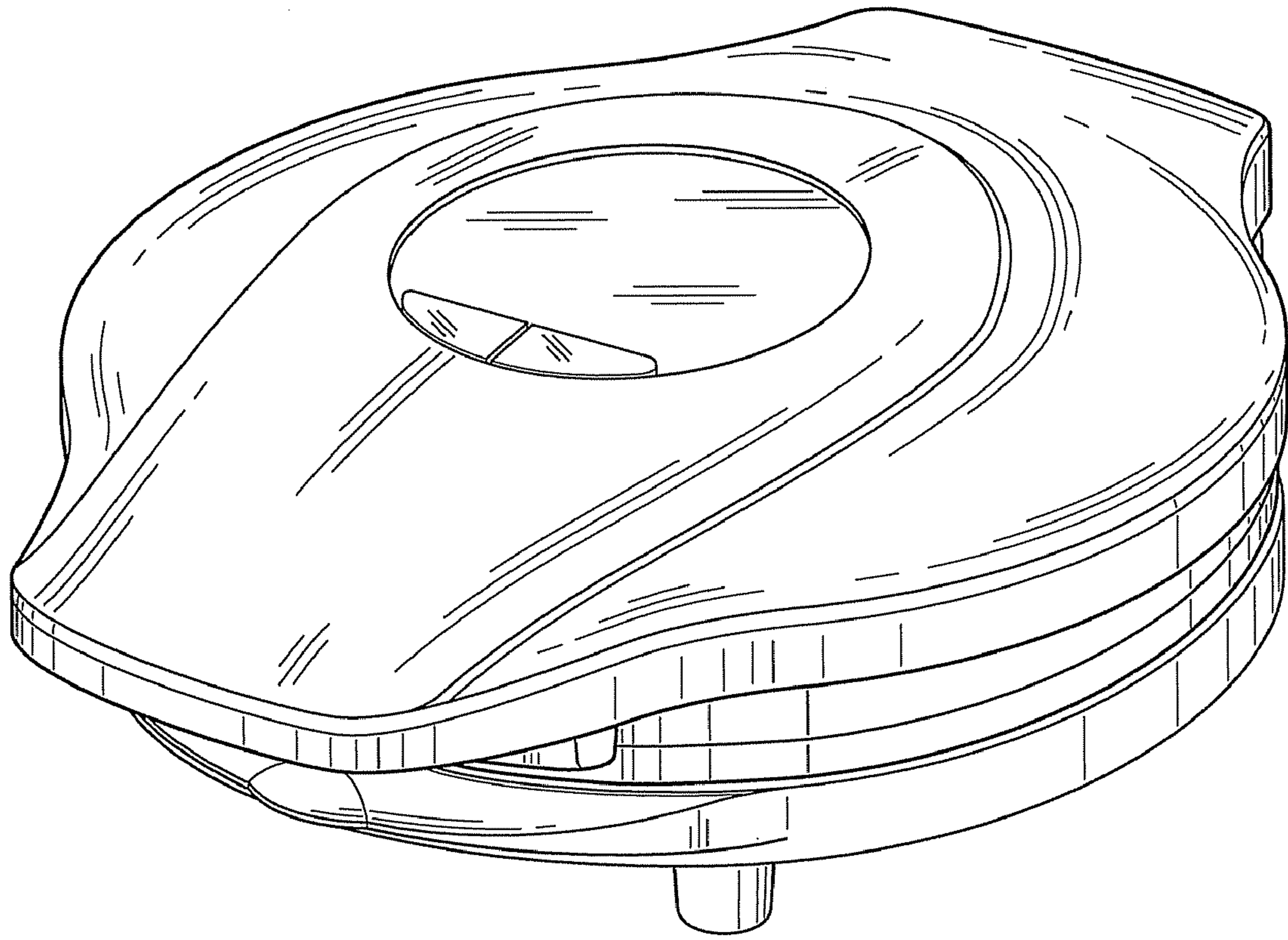


FIG. 1

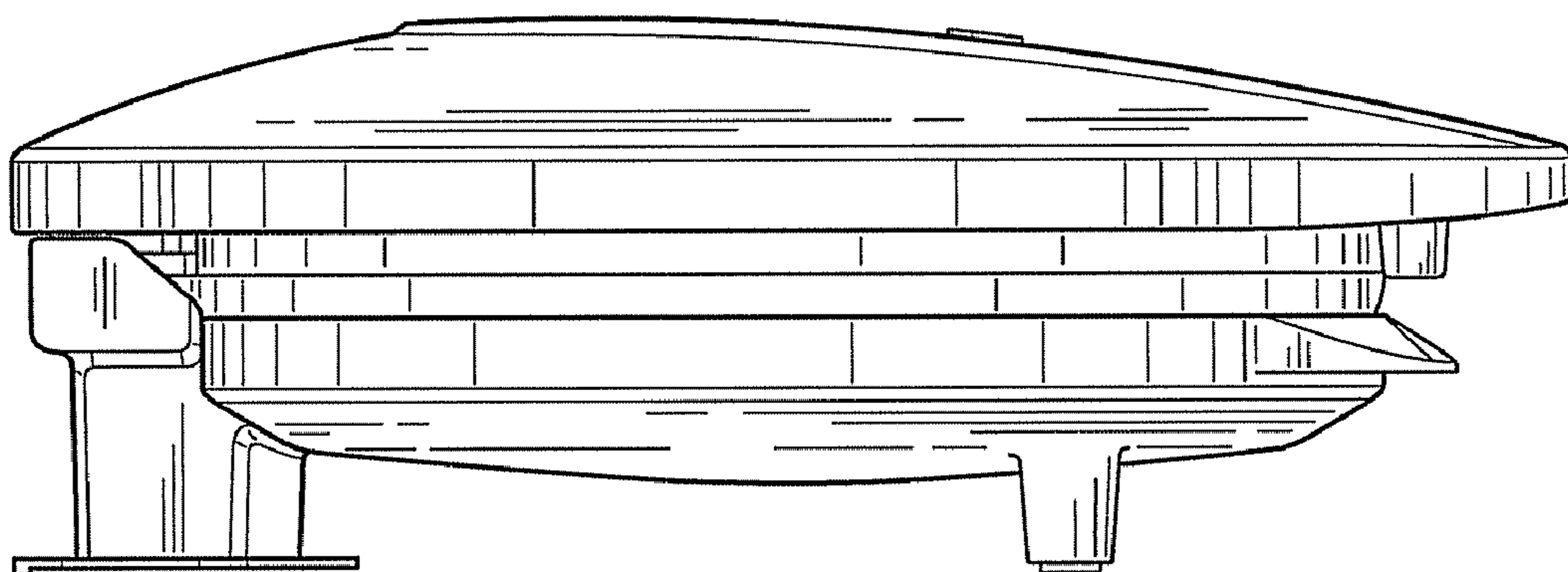


FIG. 2

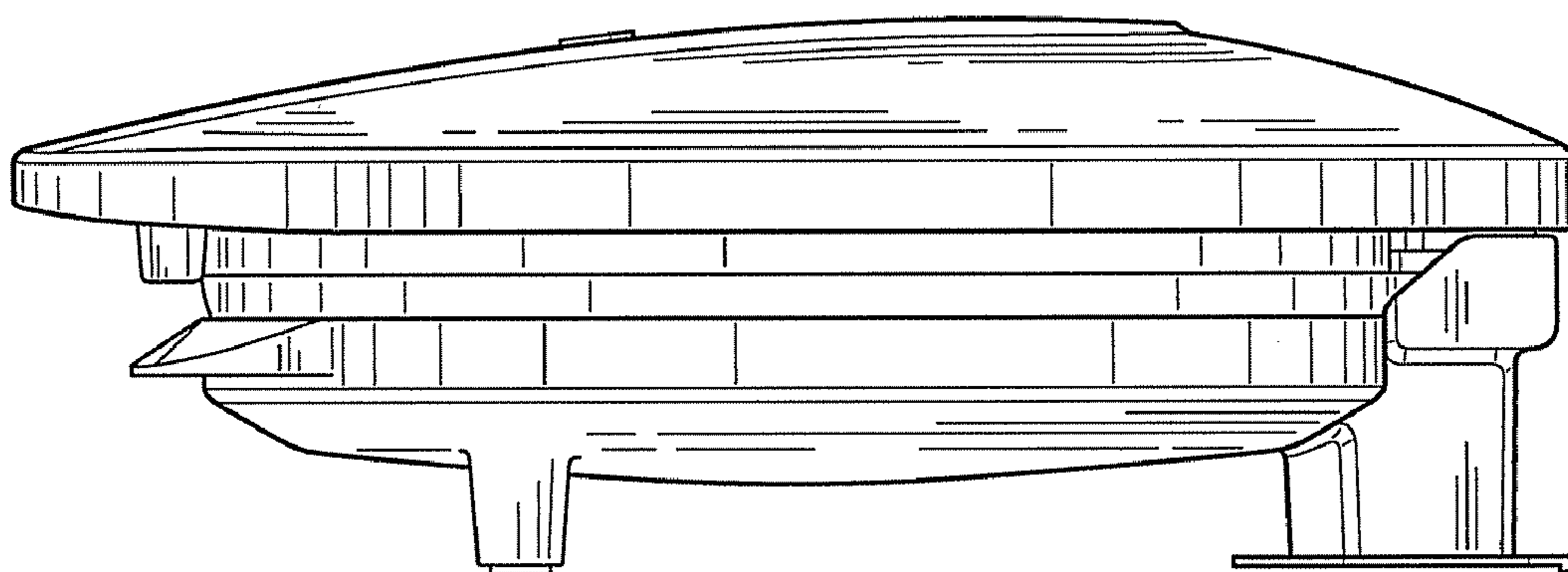


FIG. 3

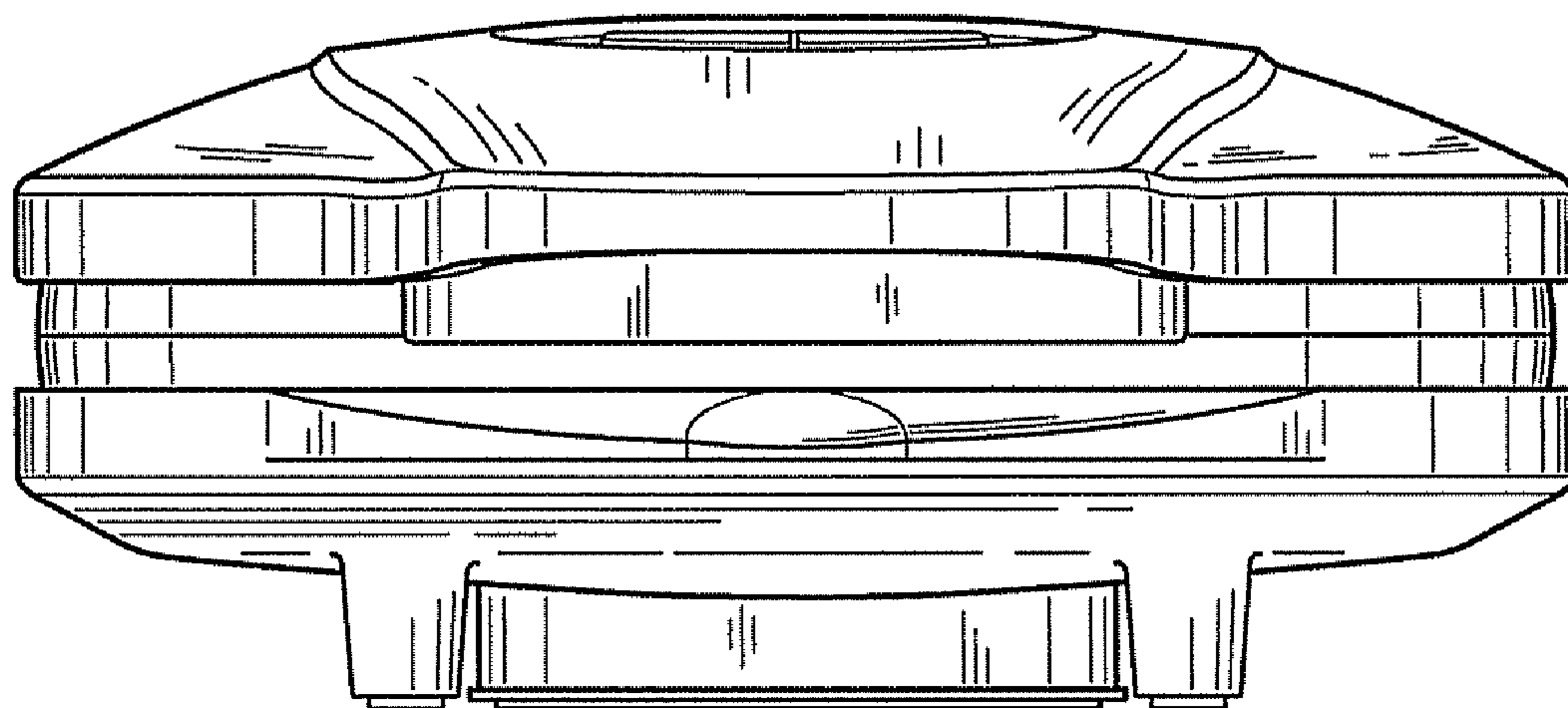


FIG. 4

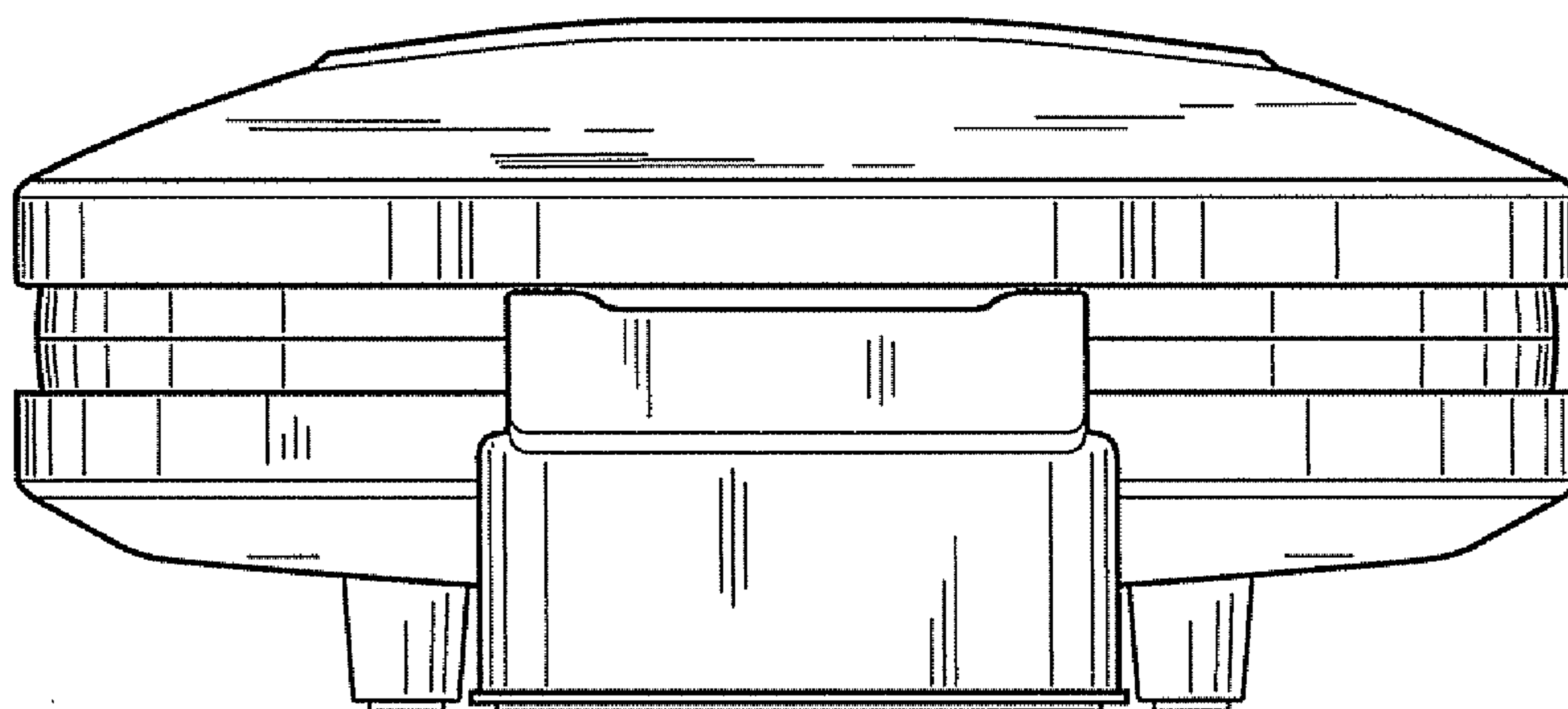


FIG. 5

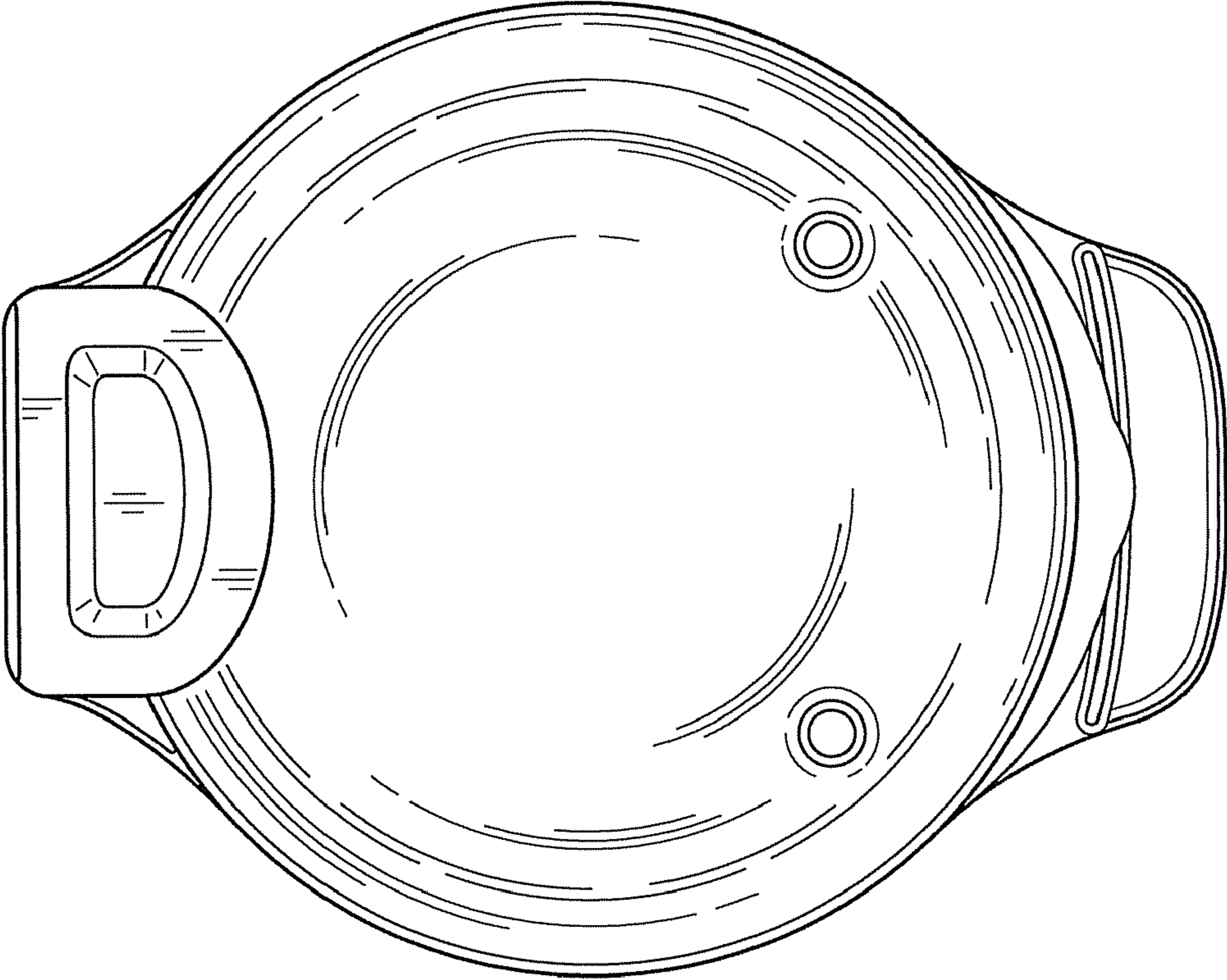


FIG. 7

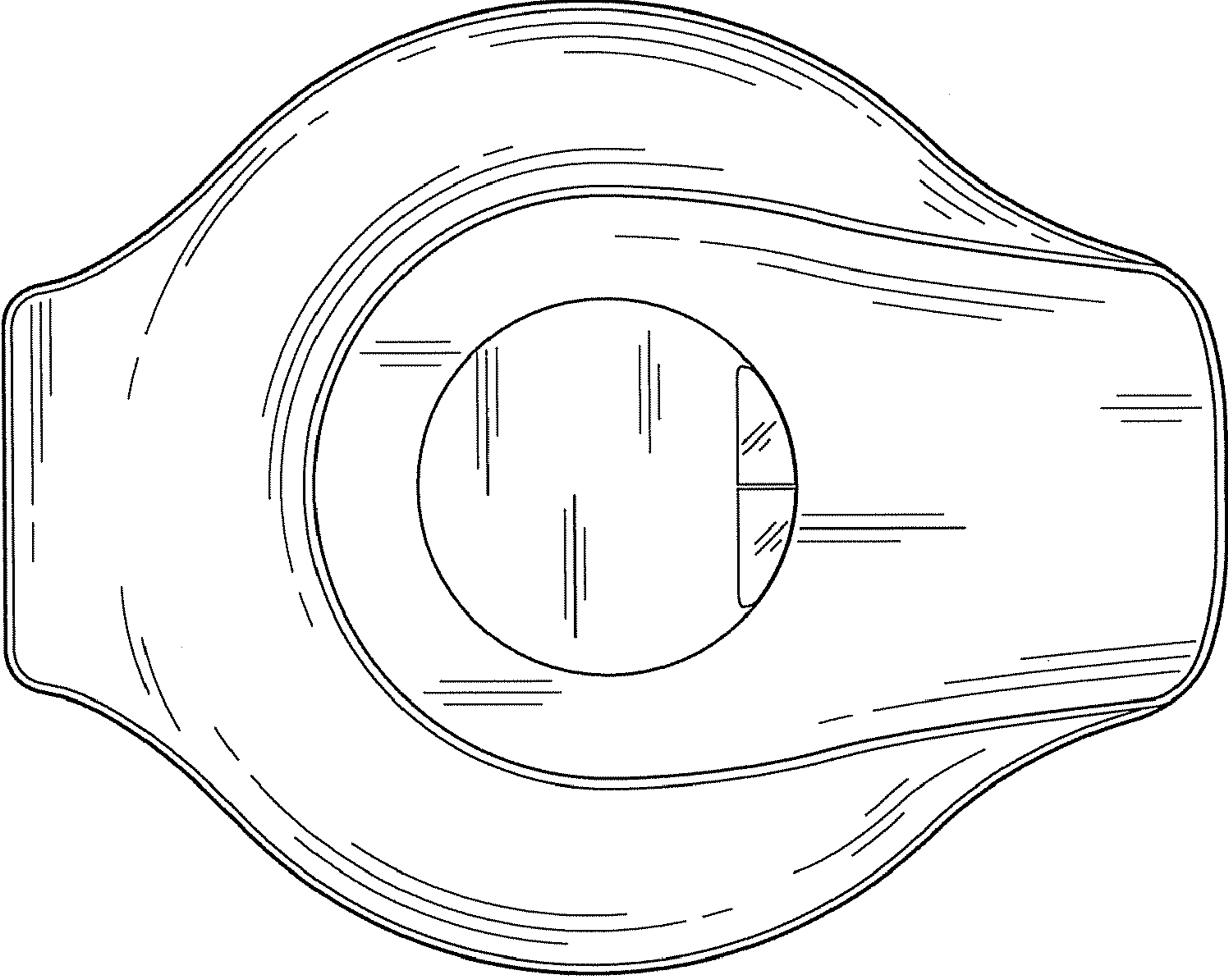


FIG. 6

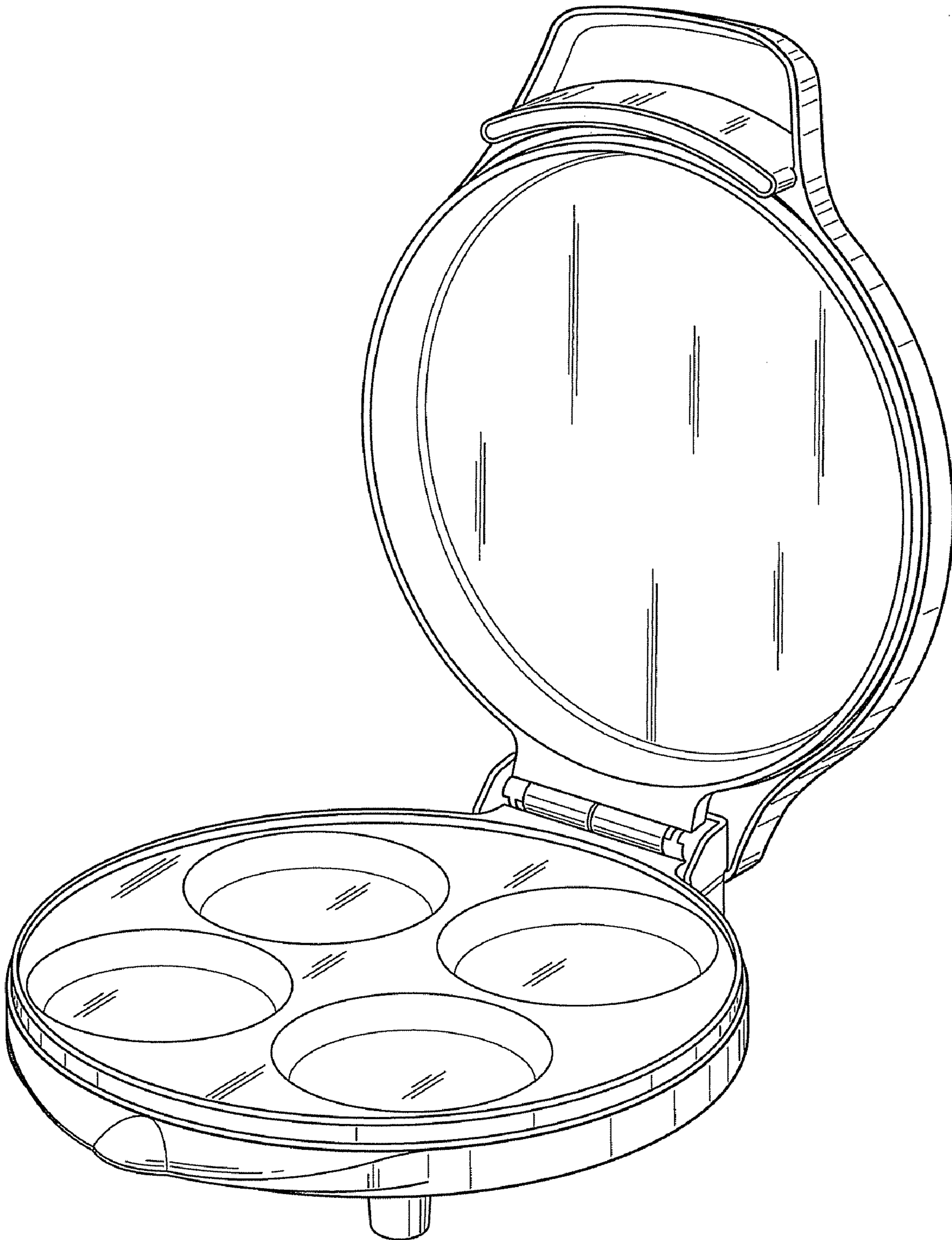


FIG. 8

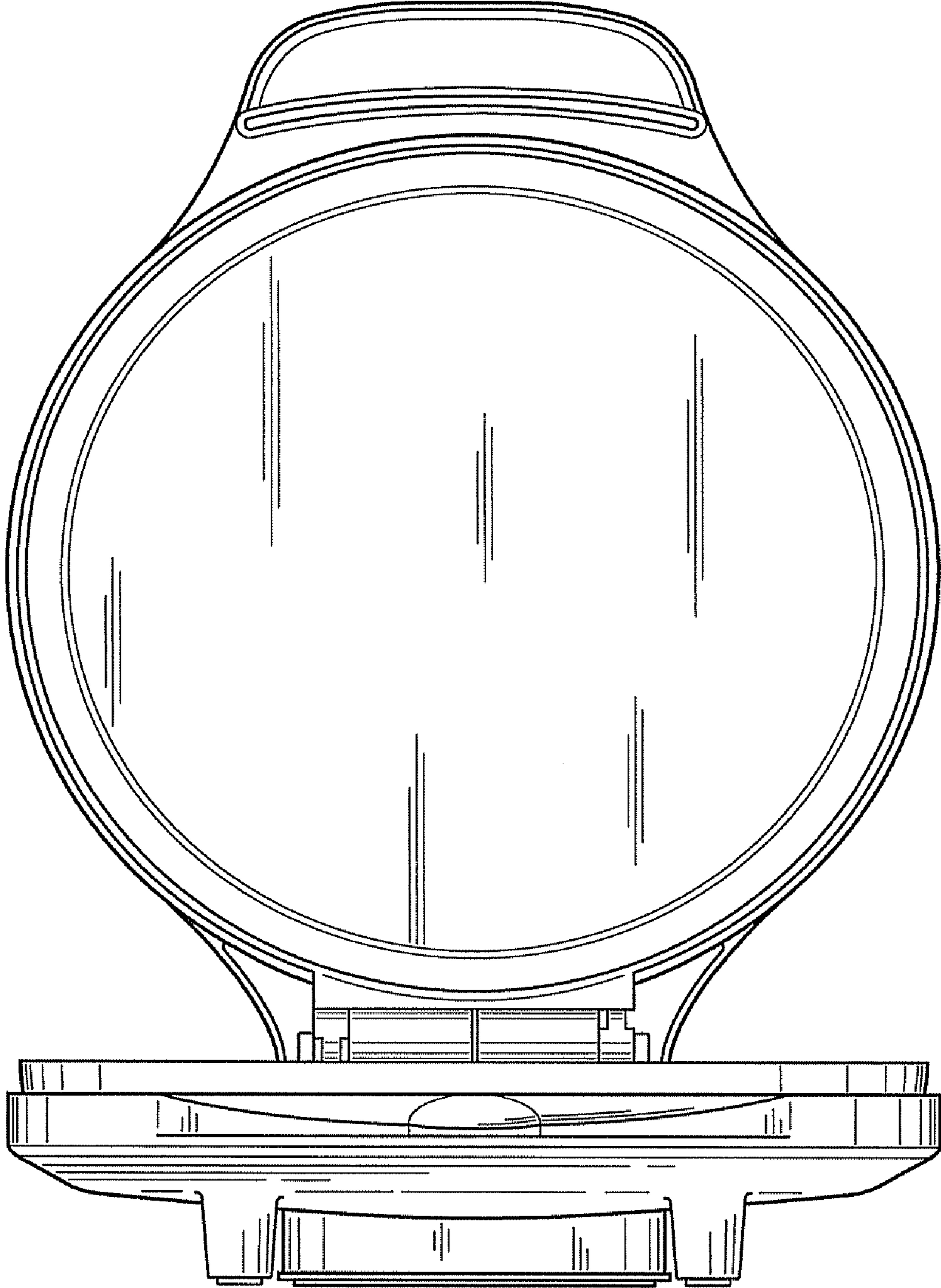


FIG. 9

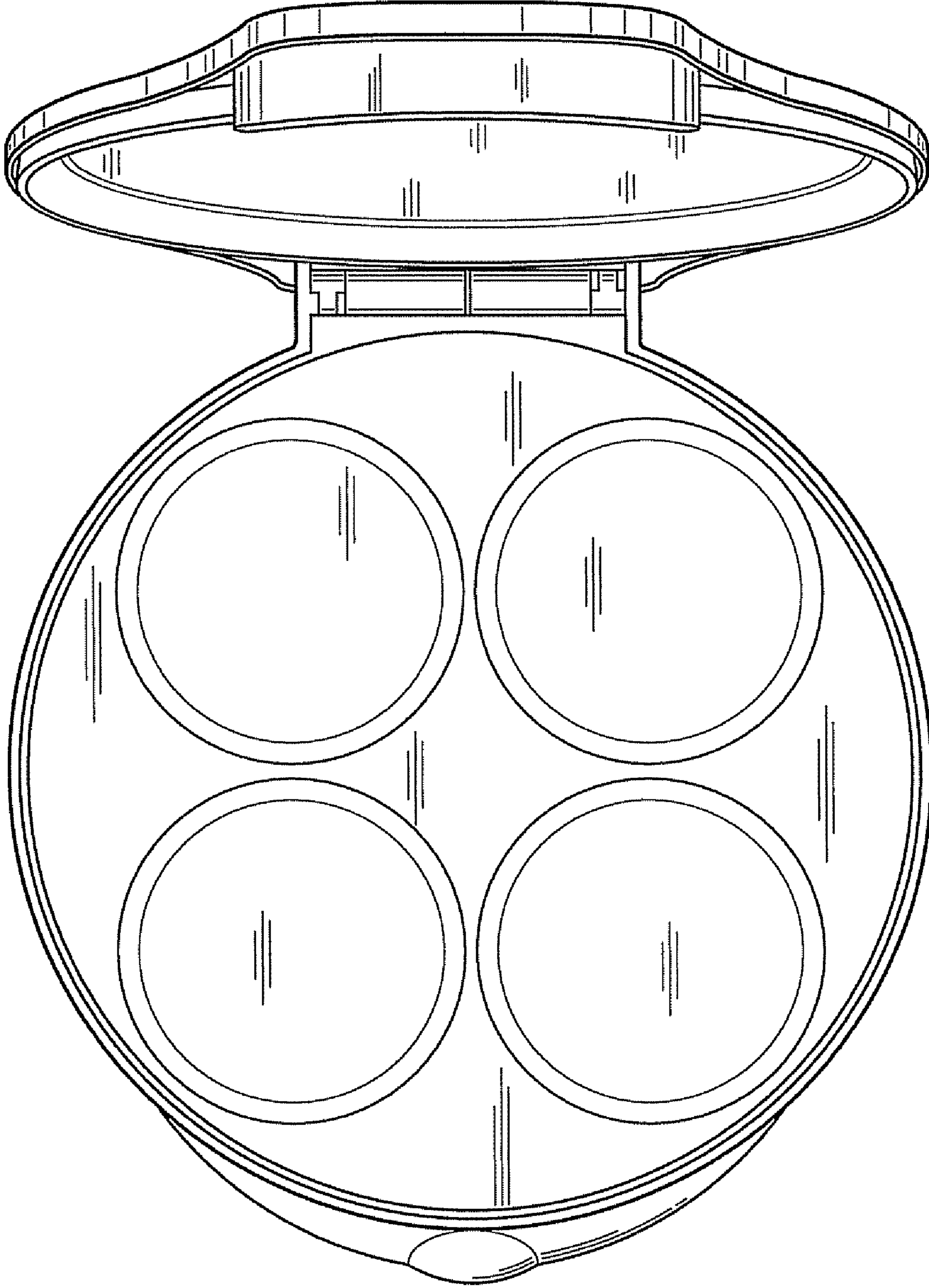


FIG. 10