



US00D643675S

(12) **United States Design Patent**
Seymour

(10) **Patent No.:** **US D643,675 S**

(45) **Date of Patent:** **** Aug. 23, 2011**

(54) **SKILLET WITH REMOVABLE HANDLES**

(75) Inventor: **Justun C. Seymour**, Eau Claire, WI (US)

(73) Assignee: **National Presto Industries, Inc.**, Eau Claire, WI (US)

(**) Term: **14 Years**

(21) Appl. No.: **29/384,297**

(22) Filed: **Jan. 28, 2011**

(51) **LOC (9) Cl.** **07-02**

(52) **U.S. Cl.** **D7/363; D7/354; D7/360**

(58) **Field of Classification Search** D7/323, D7/329-331, 339, 346-347, 350.1-350.4, D7/353-367, 391, 393, 395, 402, 406, 538, D7/542; 99/324-325, 331-332, 337-340, 99/369, 400-418, 422, 425, 444, 483; 126/37 R, 126/261, 378.1; 206/501-505, 507-508; 219/400, 405, 429-442, 620-624, 725, 730-735; 220/315, 573.1-573.5, 912; 426/438, 441
See application file for complete search history.

(56) **References Cited**

U.S. PATENT DOCUMENTS

| | | | | |
|--------------|---------|-----------------|-------|--------|
| D168,905 S * | 2/1953 | O'Connoell | | D7/355 |
| D190,212 S * | 4/1961 | Ernest | | D7/363 |
| 3,007,028 A | 10/1961 | Sorenson | | |
| D195,268 S * | 5/1963 | Reed et al. | | D7/360 |
| D197,243 S * | 12/1963 | Ernest | | D7/360 |
| D199,748 S * | 12/1964 | De Fano | | D7/360 |
| D205,150 S * | 6/1966 | Cornwell et al. | | D7/391 |
| D207,861 S * | 6/1967 | Felske | | D7/360 |
| 4,045,653 A | 8/1977 | Soper et al. | | |
| D250,448 S | 12/1978 | Boldt et al. | | |
| D261,594 S | 11/1981 | Boldt et al. | | |
| D321,625 S * | 11/1991 | Dobson et al. | | D7/360 |

(Continued)

OTHER PUBLICATIONS

Presto® 11-inch Electric Skillet User Manual, 4 pages.

(Continued)

Primary Examiner — Ricky Pham

(74) *Attorney, Agent, or Firm* — Patterson Thuent Christensen Pedersen, P.A.

(57) **CLAIM**

The ornamental design for a skillet with removable handles, as shown and described.

DESCRIPTION

FIG. 1 is a rear perspective view of a skillet with removable handles showing my new design

FIG. 2 is a front view of the skillet with removable handles of FIG. 1.

FIG. 3 is a rear view of the skillet with removable handles of FIG. 1.

FIG. 4 is a right side view of the skillet with removable handles of FIG. 1.

FIG. 5 is a left side view of the skillet with removable handles of FIG. 1.

FIG. 6 is a top view of the skillet with removable handles of FIG. 1.

FIG. 7 is a bottom view of the skillet with removable handles of FIG. 1.

FIG. 8 is an exploded front view of the skillet with removable handles of FIG. 1.

FIG. 9 is a rear perspective view of a skillet with removable handles according to a second embodiment of the invention.

FIG. 10 is a front view of the skillet with removable handles of FIG. 9.

FIG. 11 is a rear view of the skillet with removable handles of FIG. 9.

FIG. 12 is a right side view of the skillet with removable handles of FIG. 9.

FIG. 13 is a left side view of the skillet with removable handles of FIG. 9.

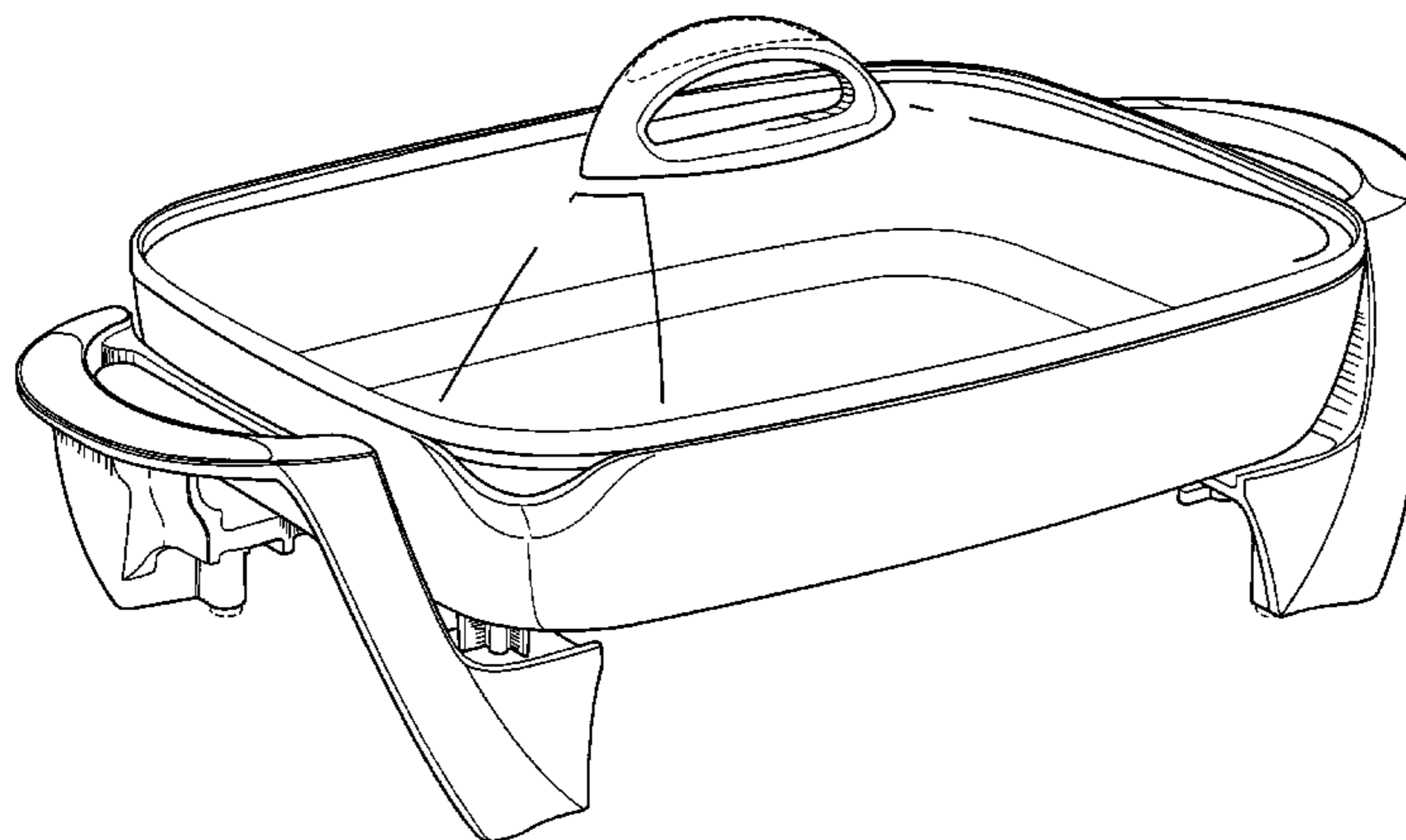
FIG. 14 is a top view of the skillet with removable handles of FIG. 9.

FIG. 15 is a bottom view of the skillet with removable handles of FIG. 9; and,

FIG. 16 is an exploded front view of the skillet with removable handles of FIG. 9.

Items shown in broken lines are for illustrative purposes only and form no part of the claimed invention.

1 Claim, 16 Drawing Sheets



US D643,675 S

Page 2

U.S. PATENT DOCUMENTS

5,467,696 A * 11/1995 Everhart 99/425
D369,272 S * 4/1996 Mendelson et al. D7/360
5,656,188 A * 8/1997 Janowiak et al. 219/438
D409,041 S * 5/1999 Barker D7/362
D414,982 S * 10/1999 Hopkins et al. D7/362
D437,182 S * 2/2001 Choi D7/360
D437,183 S * 2/2001 Wong et al. D7/362
D444,342 S * 7/2001 Kruepke et al. D7/360
D444,667 S * 7/2001 Wong et al. D7/362
6,516,709 B1 * 2/2003 Lin 99/331
D505,045 S * 5/2005 Assmann D7/367
D514,882 S * 2/2006 Marshall et al. D7/402
D525,076 S * 7/2006 Olsen et al. D7/353
D542,592 S * 5/2007 Lubowicki D7/362

7,228,792 B2 * 6/2007 Crawford et al. 99/400
D548,002 S * 8/2007 De'Longhi D7/362
D591,553 S * 5/2009 Garman et al. D7/363
D614,908 S 5/2010 Berge
D620,746 S * 8/2010 Hsiao et al. D7/362

OTHER PUBLICATIONS

Presto® 12-inch Stainless Steel Electric Skillet User Manual, 13 pages.
Presto® 16-inch Electric Skillet User Manual, 4 pages.
Presto® 16-inch Electric Skillet with Glass Cover User Manual, 4 pages.

* cited by examiner

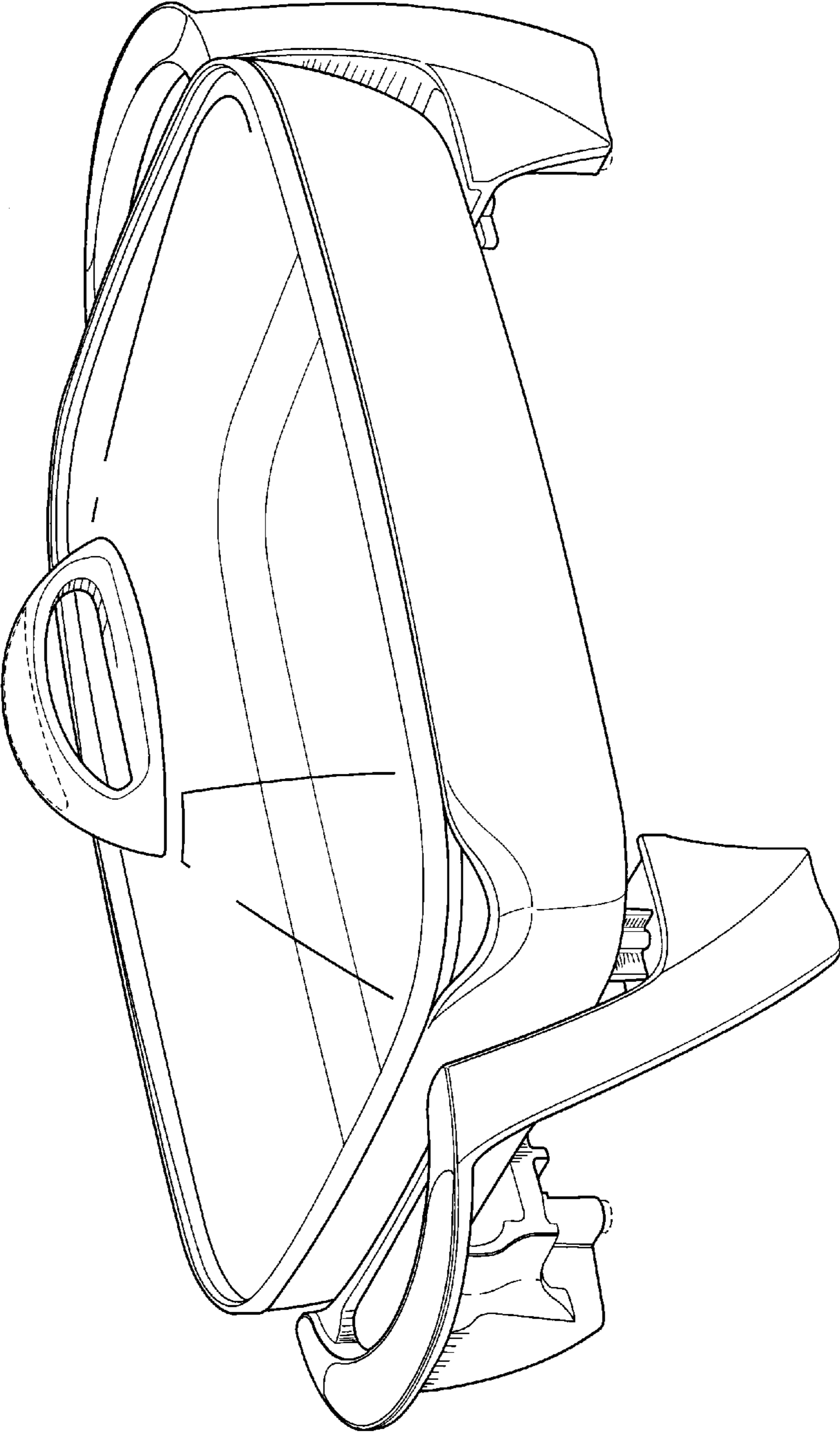


Fig. 1

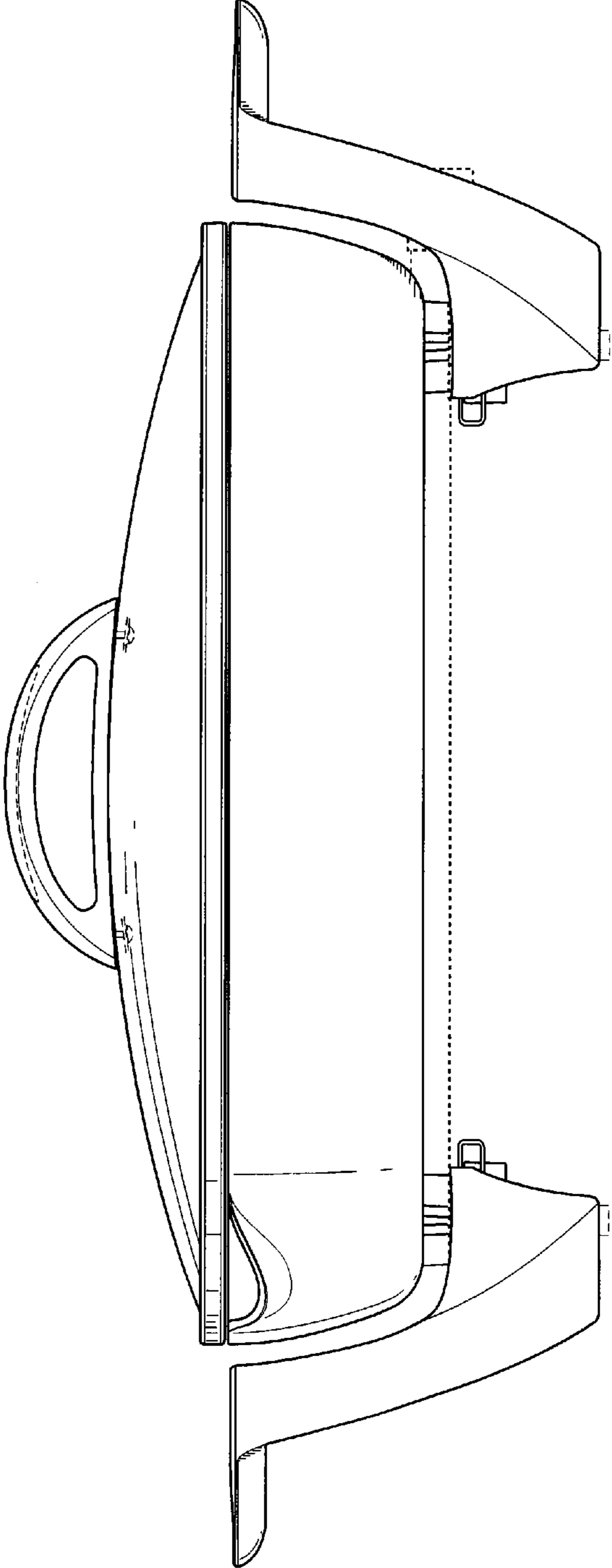


Fig. 2

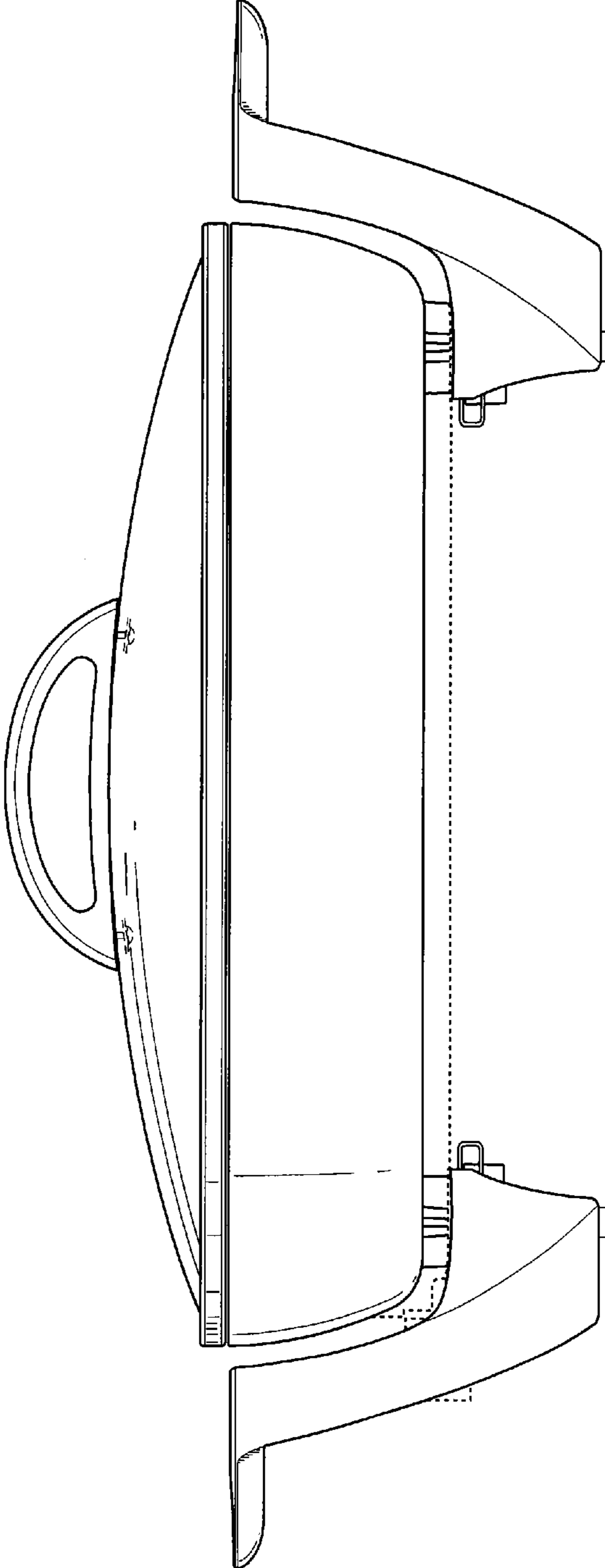


Fig. 3

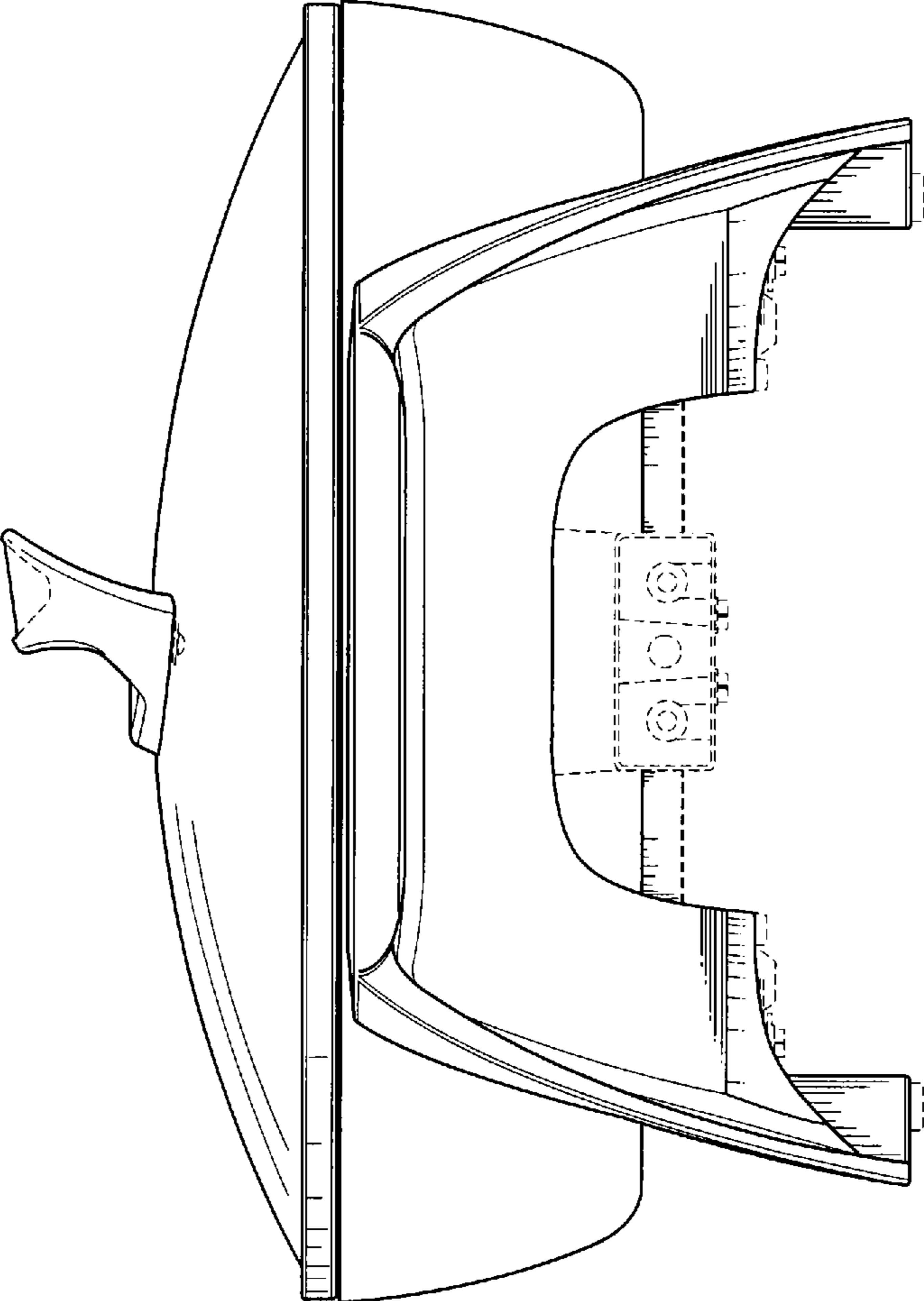


Fig. 4

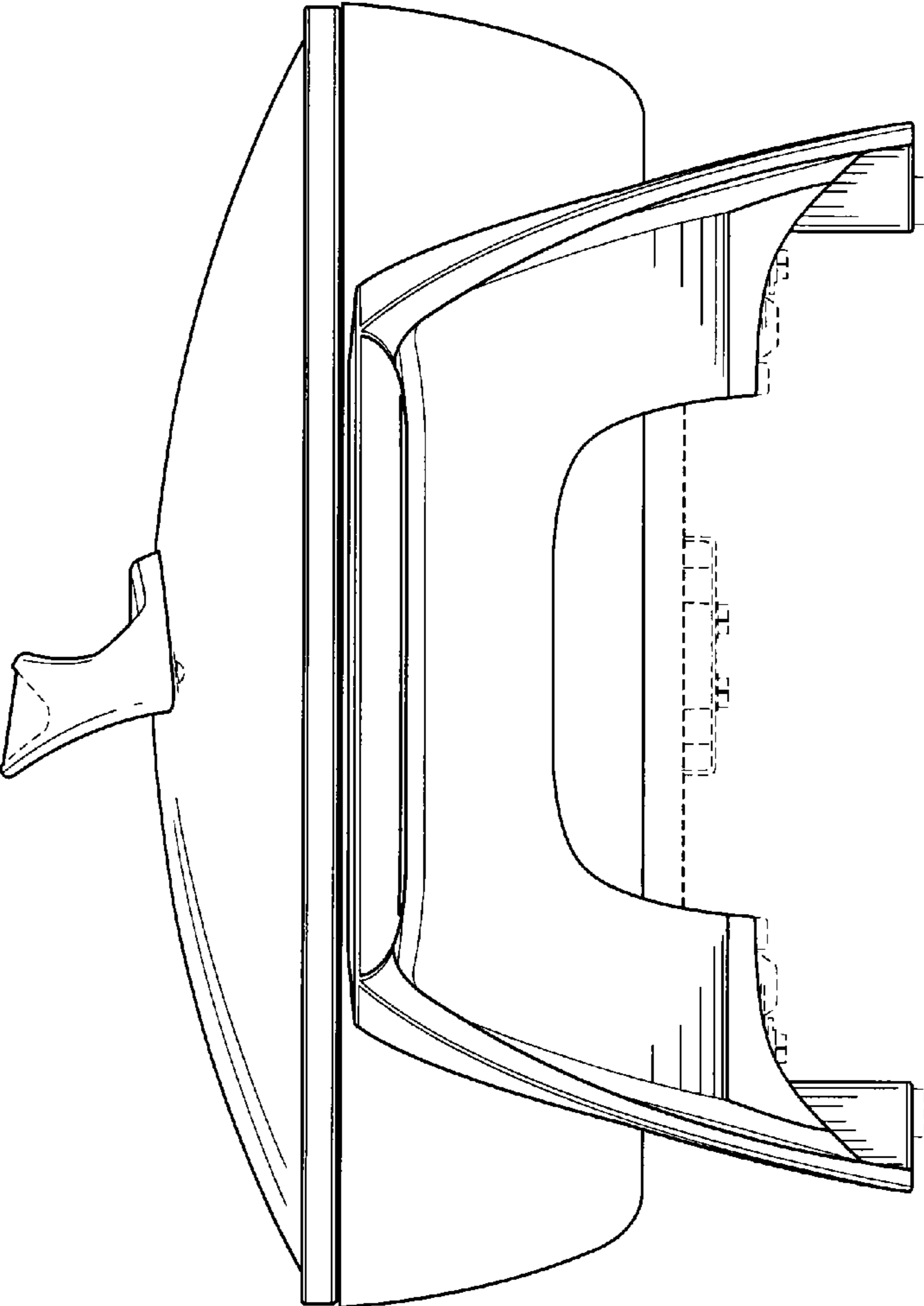


Fig. 5

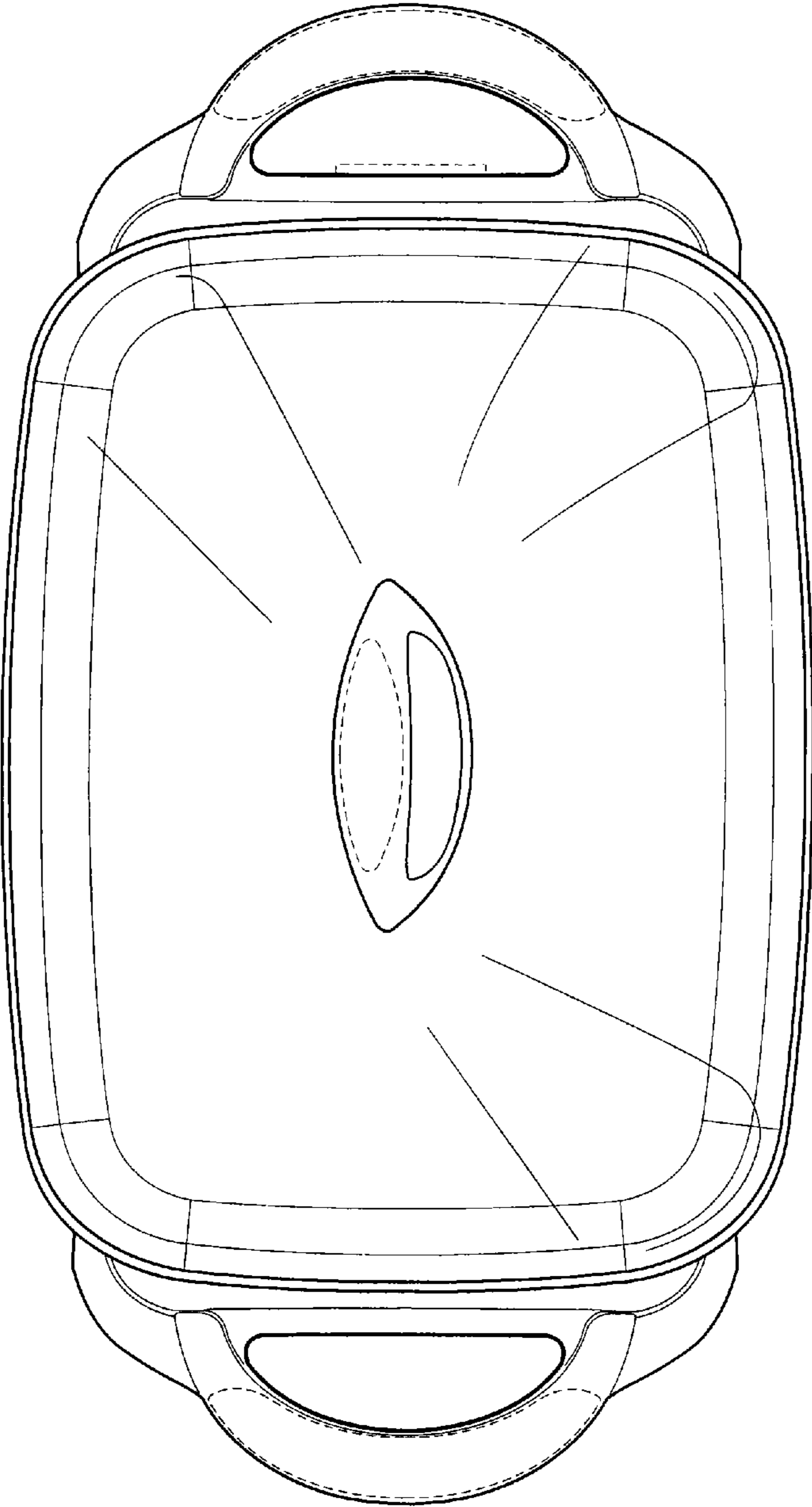


Fig. 6

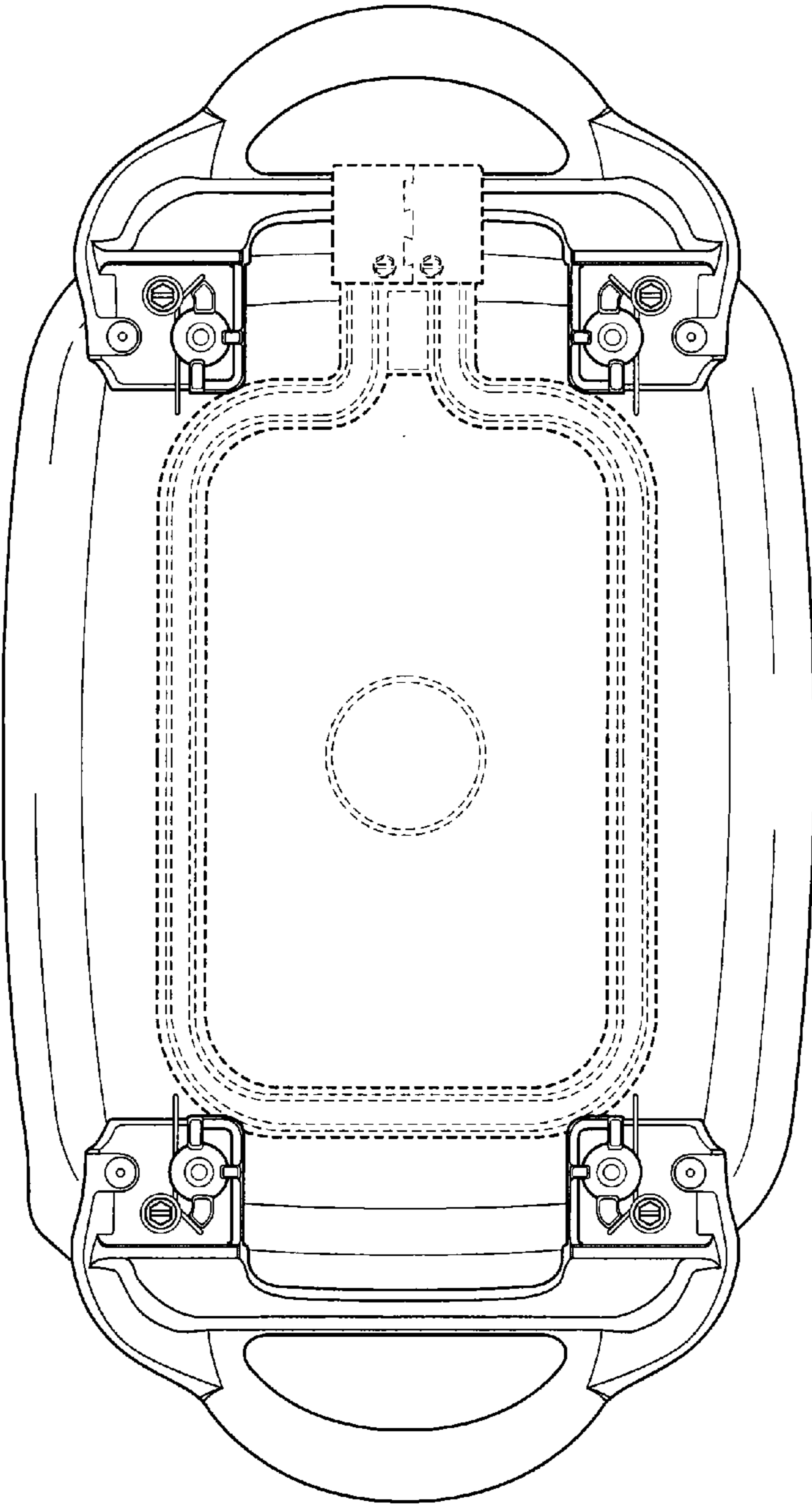


Fig. 7

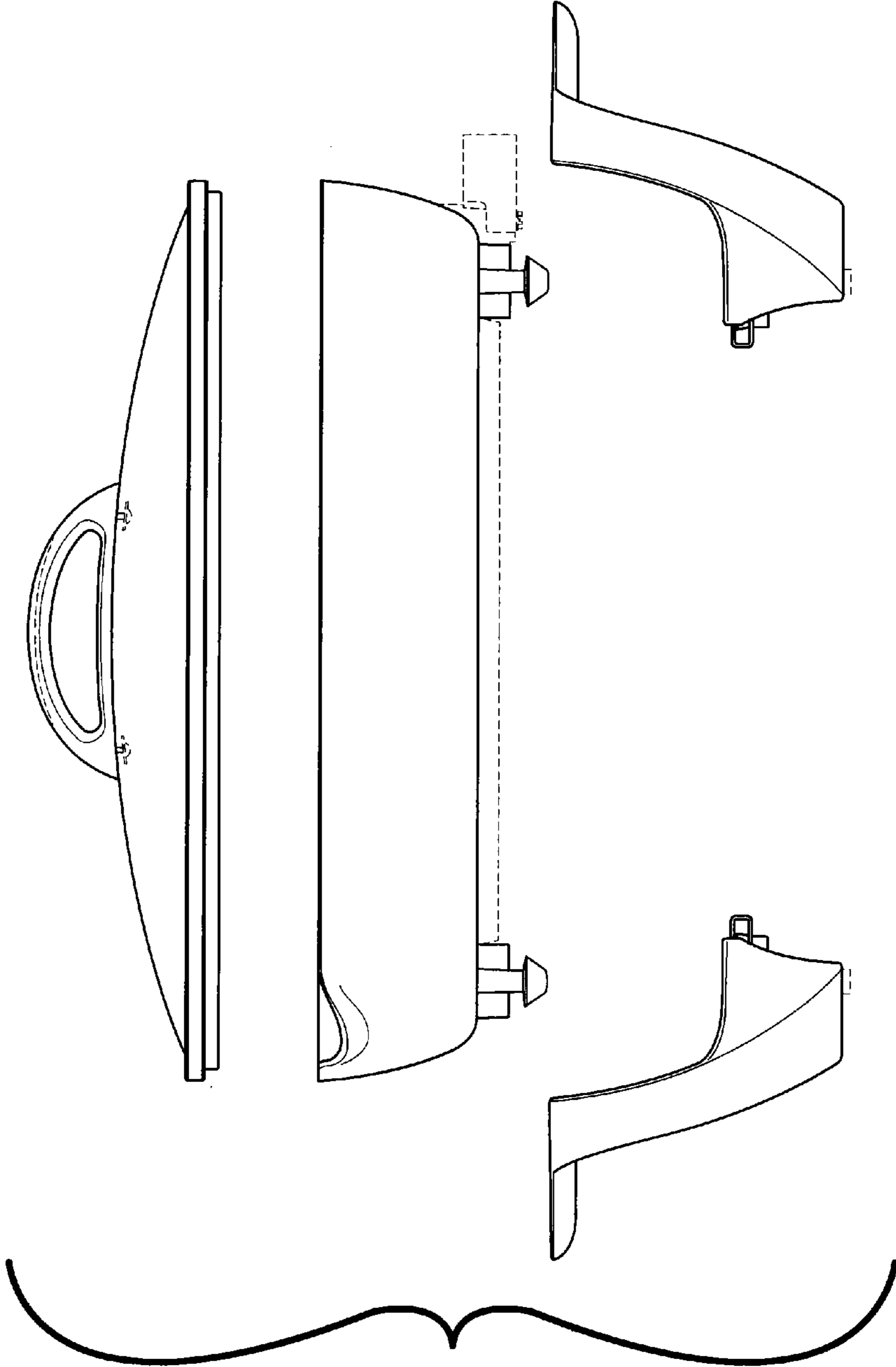


Fig. 8

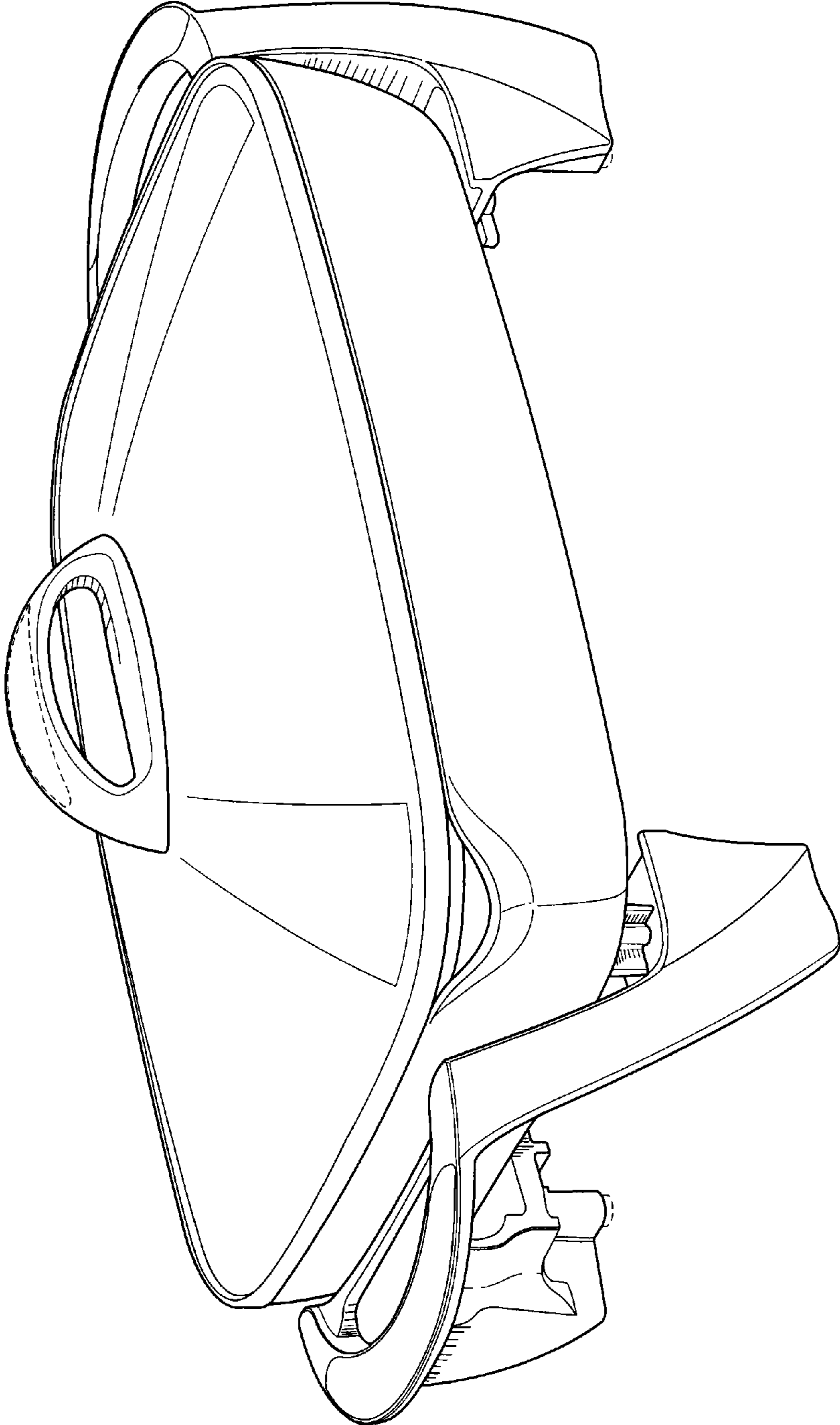


Fig. 9

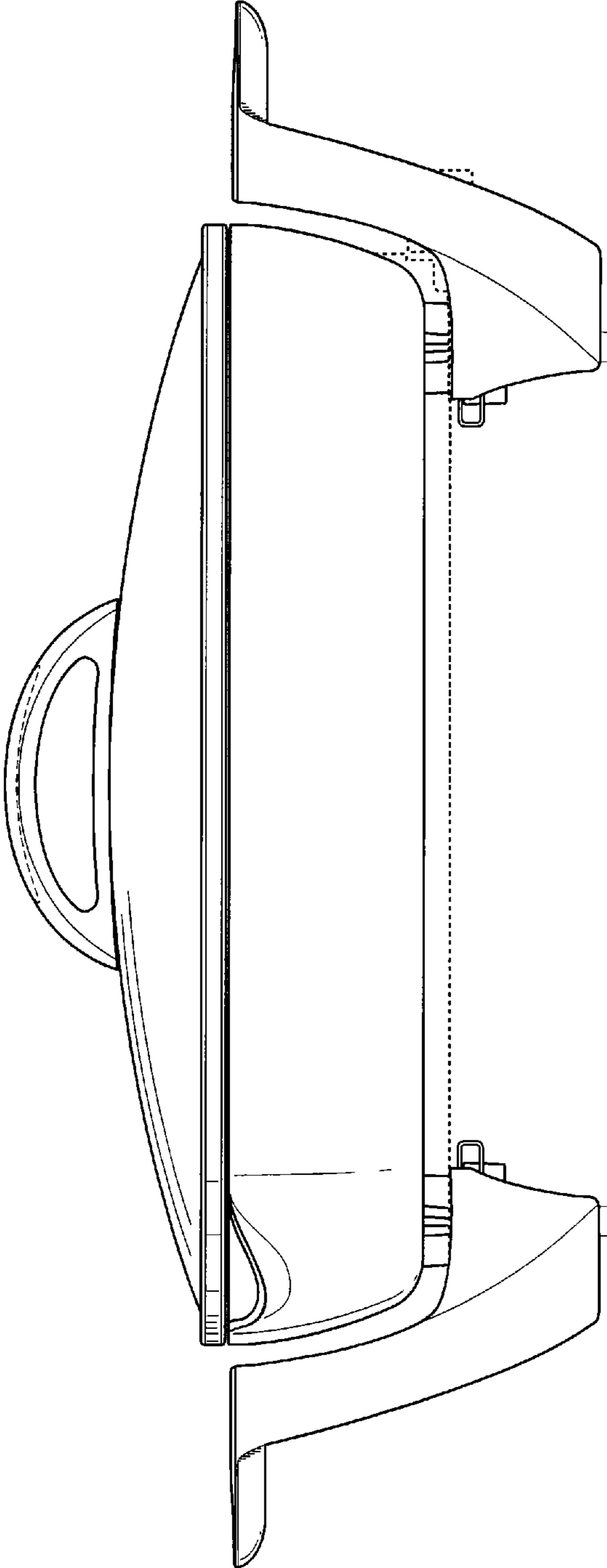


Fig. 10

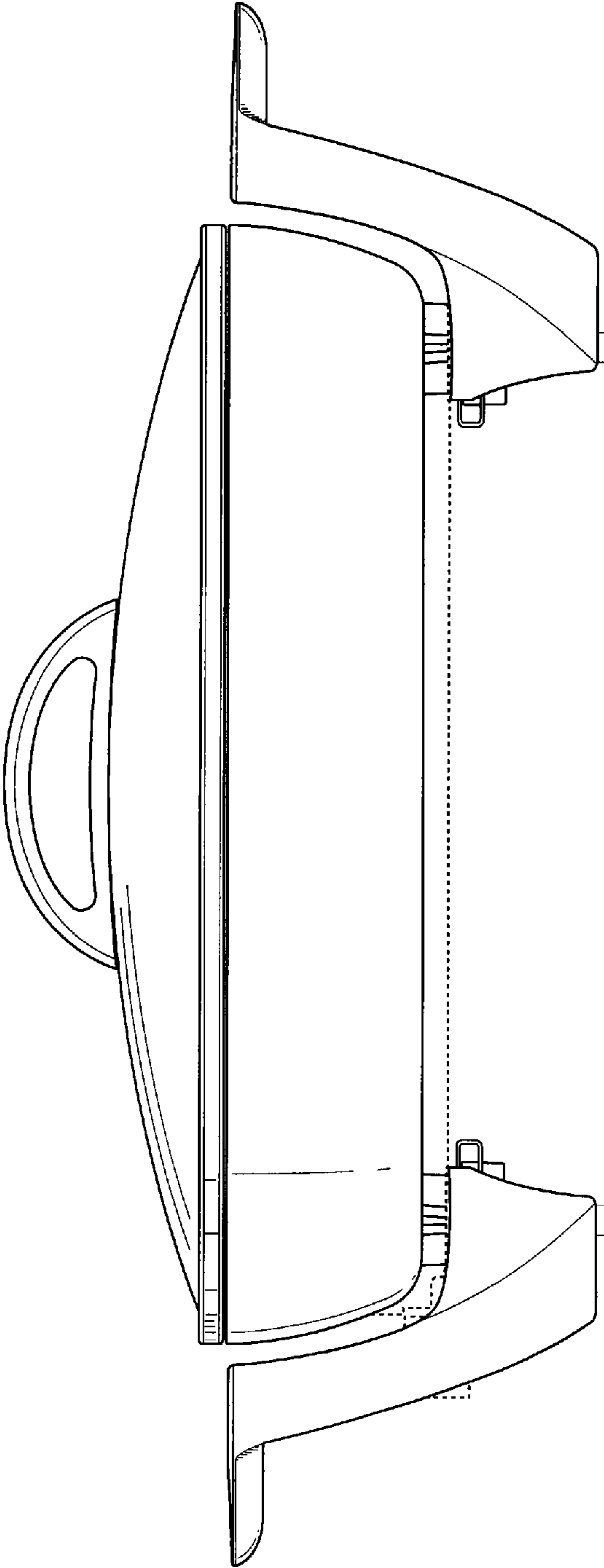


Fig. 11

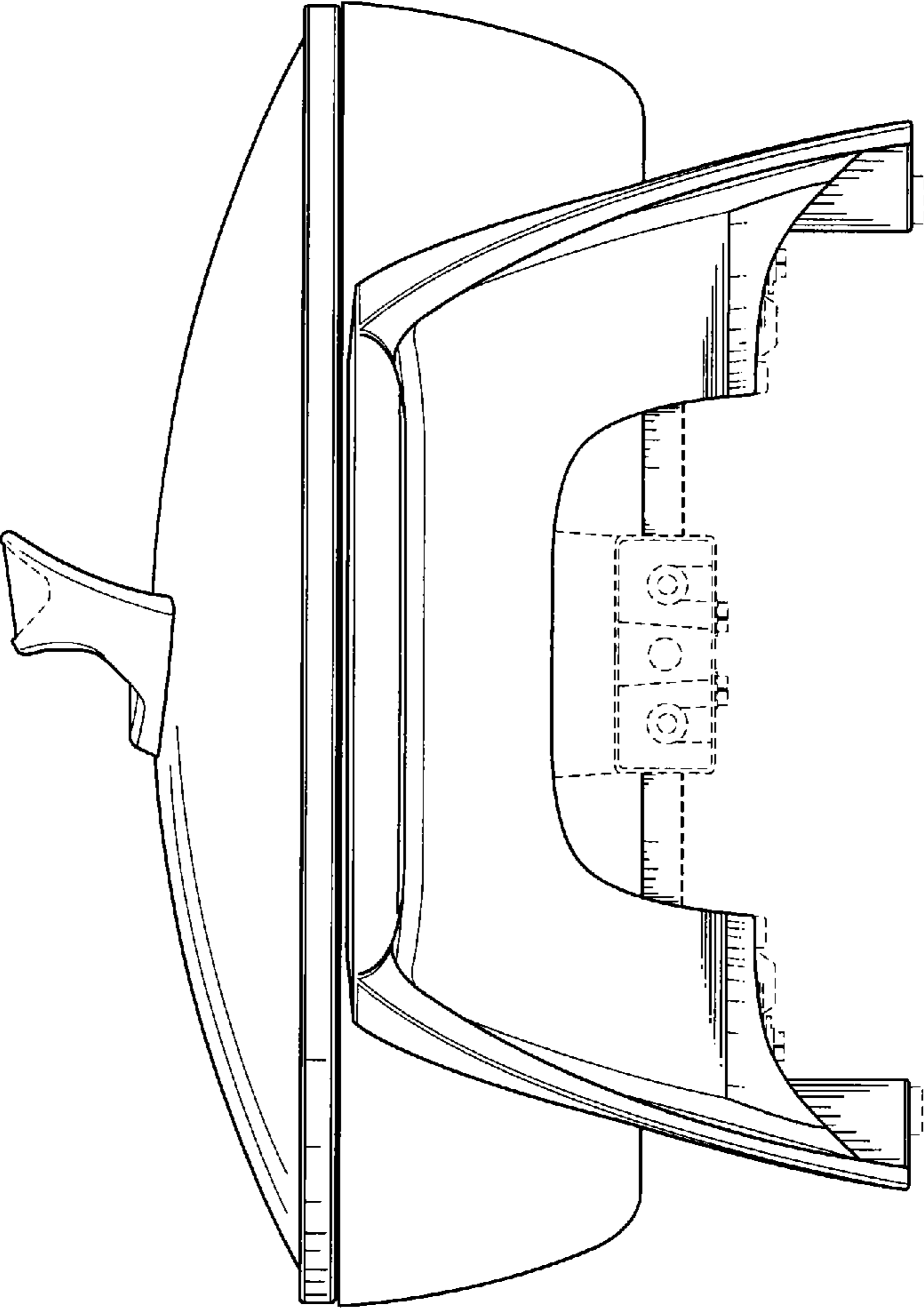


Fig. 12

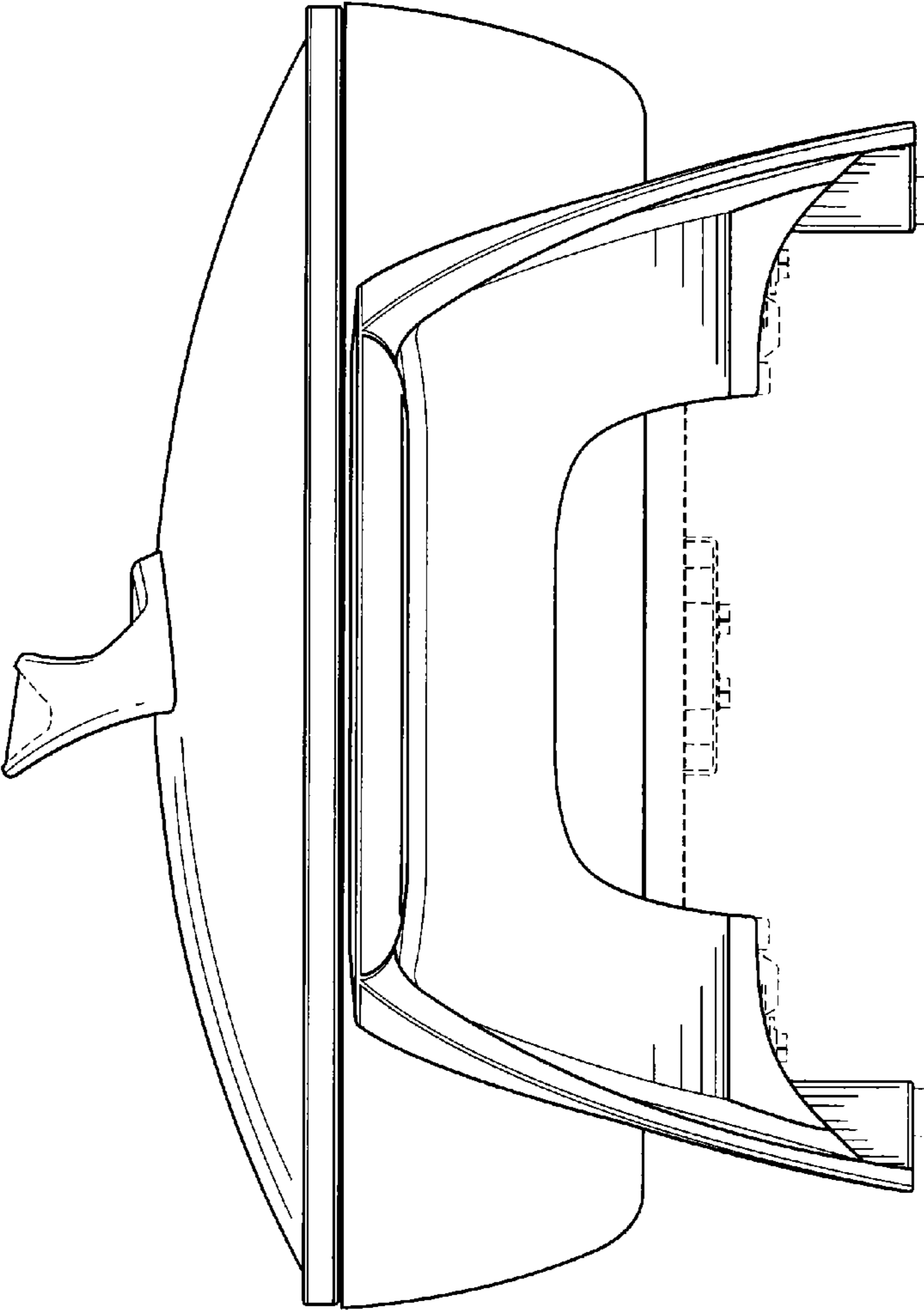


Fig. 13

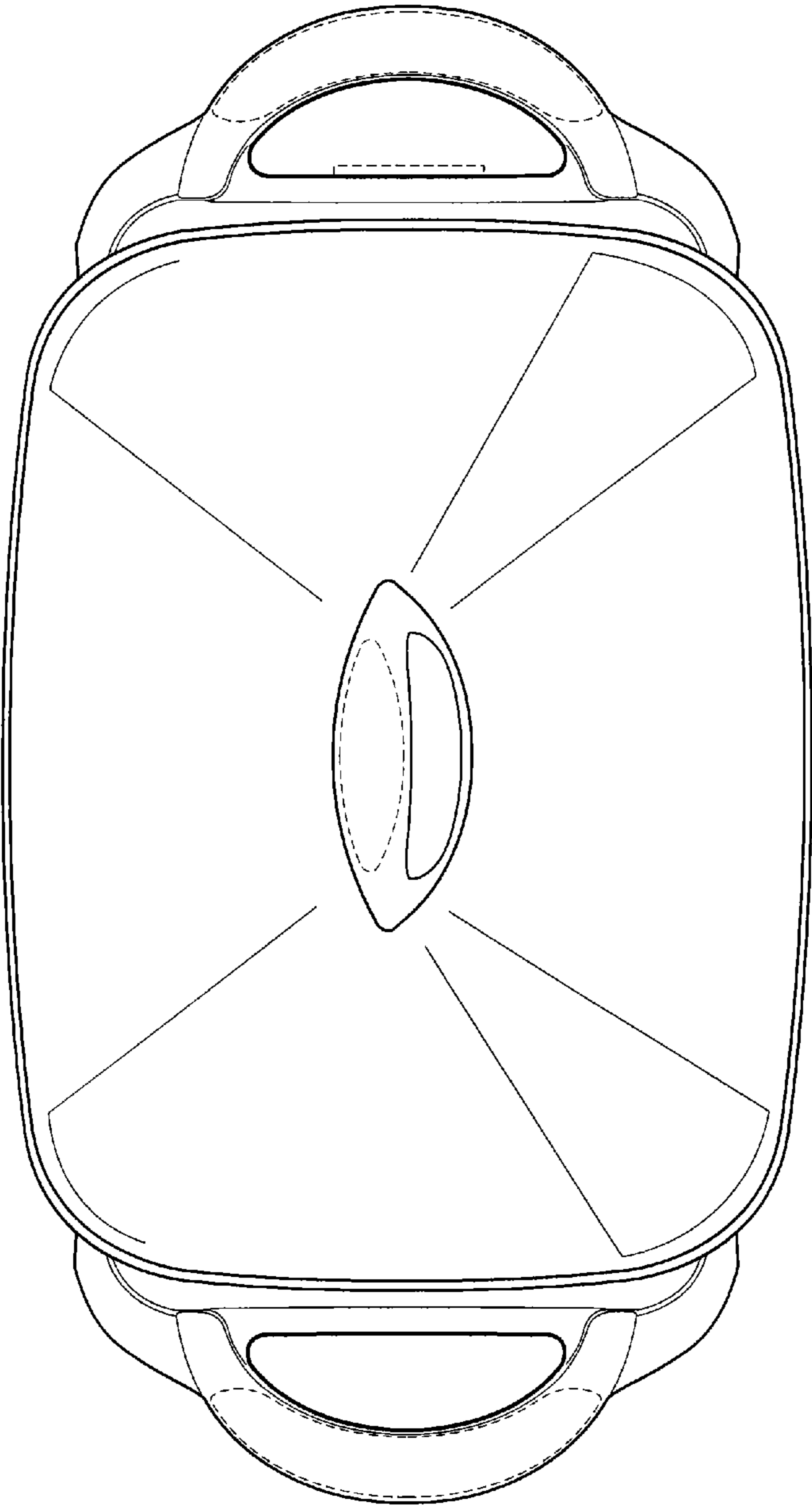


Fig. 14

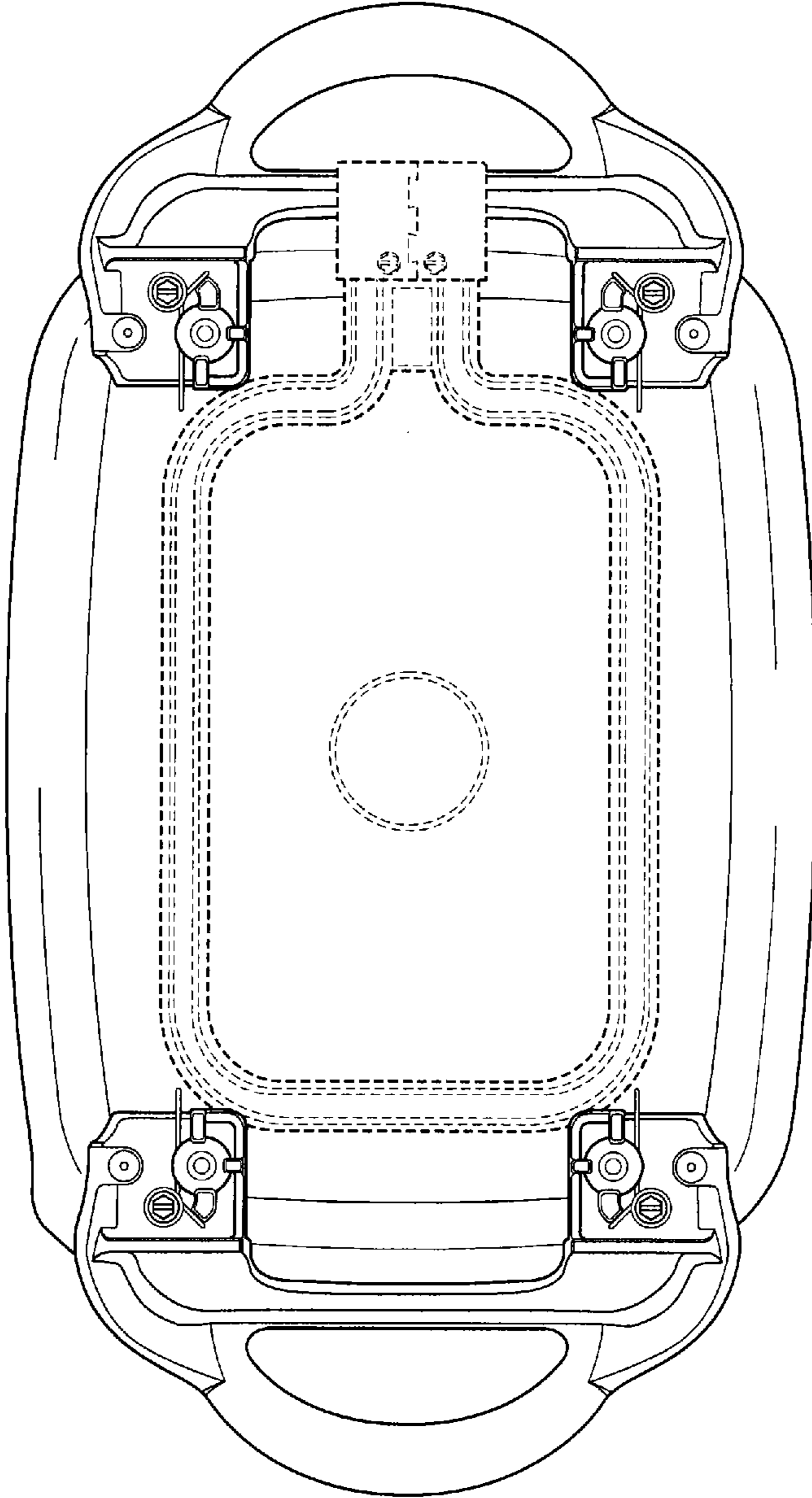


Fig. 15

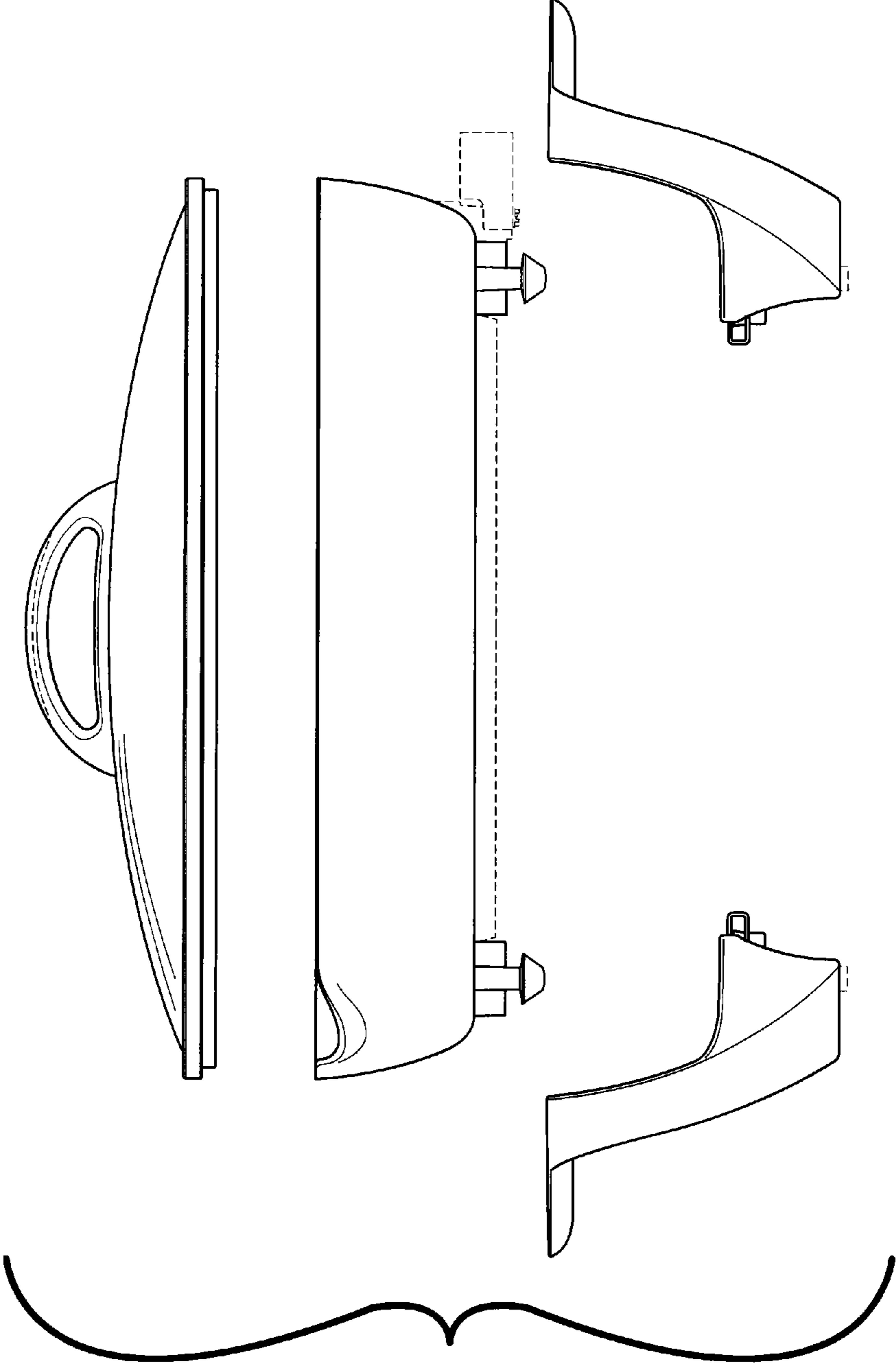


Fig. 16