

US00D643671S

(12) **United States Design Patent**  
**Kennedy**

(10) **Patent No.:** **US D643,671 S**

(45) **Date of Patent:** **\*\* Aug. 23, 2011**

(54) **MOBILE COOKER**

(76) Inventor: **Ross A. Kennedy**, Tylertown, MS (US)

(\*\*) Term: **14 Years**

(21) Appl. No.: **29/343,542**

(22) Filed: **Sep. 15, 2009**

(51) **LOC (9) Cl.** ..... **07-02**

(52) **U.S. Cl.** ..... **D7/334**

(58) **Field of Classification Search** ..... D7/332,  
D7/334-337, 402-404, 406-407; 126/37 R,  
126/25 R, 41 R, 41 C, 41 D, 41 E, 9 R, 44,  
126/50, 39 E, 91 A; 99/339, 340, 450, 444;  
431/354

See application file for complete search history.

(56) **References Cited**

**U.S. PATENT DOCUMENTS**

D218,654	S *	9/1970	Moncrief	.....	D7/334
4,108,055	A	8/1978	Simmons		
D250,317	S	11/1978	Simmons		
D251,230	S *	3/1979	Adams	.....	D7/334
D253,695	S *	12/1979	Simmons	.....	D7/334
D255,863	S *	7/1980	Futch	.....	D7/334
D265,374	S *	7/1982	Hamilton, Jr.	.....	D7/334
5,031,602	A *	7/1991	Vick	.....	126/25 R
D325,490	S *	4/1992	Dodgen	.....	D7/334
5,205,207	A	4/1993	McGuire		
5,421,318	A	6/1995	Unruh et al.		
5,481,964	A *	1/1996	Kitten	.....	99/339
D368,618	S *	4/1996	Van Hoogmoed	.....	D7/334
6,250,211	B1 *	6/2001	Gongwer	.....	99/340
6,557,547	B1 *	5/2003	MacIntosh	.....	126/41 R
D487,209	S *	3/2004	MacIntosh	.....	D7/334
6,736,050	B1 *	5/2004	Monn	.....	99/339
2005/0133017	A1 *	6/2005	Scialdone et al.	.....	126/25 R
2008/0011285	A1 *	1/2008	Milligan et al.	.....	126/25 R
2008/0083401	A1 *	4/2008	Cusack	.....	126/25 R

\* cited by examiner

*Primary Examiner* — Ruth McInroy

(74) *Attorney, Agent, or Firm* — Sturm & Fix LLP

(57) **CLAIM**

The ornamental design for a mobile cooker, as shown and described.

**DESCRIPTION**

A portion of the disclosure of this patent document, including appendices, may contain material which is subject to copyright protection. The copyright owner has no objection to the facsimile reproduction by anyone of the patent document or the patent disclosure, as it appears in the Patent and Trademark Office patent file or records, but otherwise reserves all copyright rights whatsoever.

FIG. 1 is a front, right side perspective view of a mobile cooker with the front access doors open, showing my new design, the broken line showing of associated components being for illustrative purposes only and forming no part of the claimed design;

FIG. 2 is a rear, right side perspective view of the mobile cooker, with the rear access doors open, the broken line showing of associated components being for illustrative purposes only and forming no part of the claimed design;

FIG. 3 is a front, and right-side perspective view thereof with the access doors in a closed position and the top right element in an alternate position;

FIG. 4 is a left side elevational view thereof;

FIG. 5 is a right side elevational view thereof;

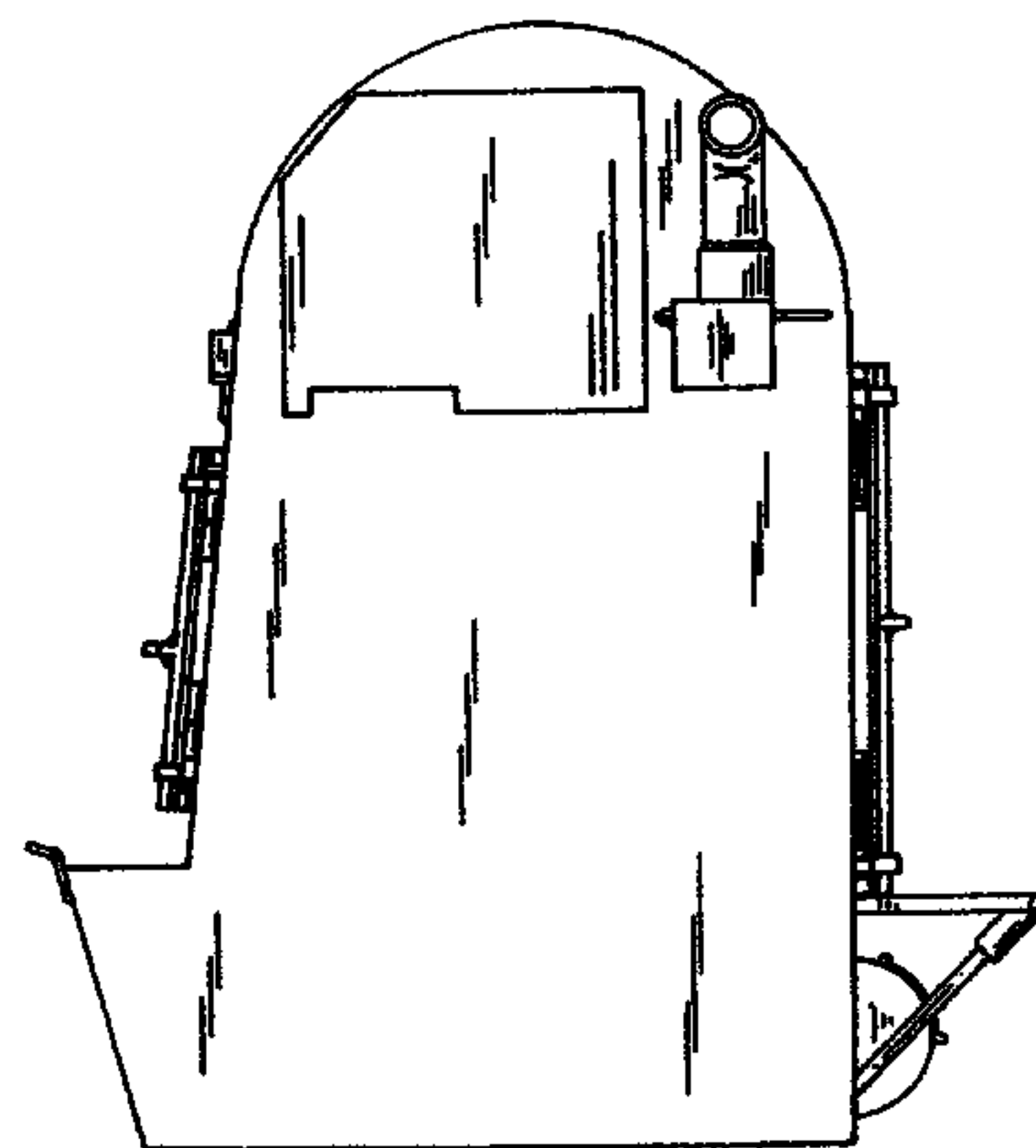
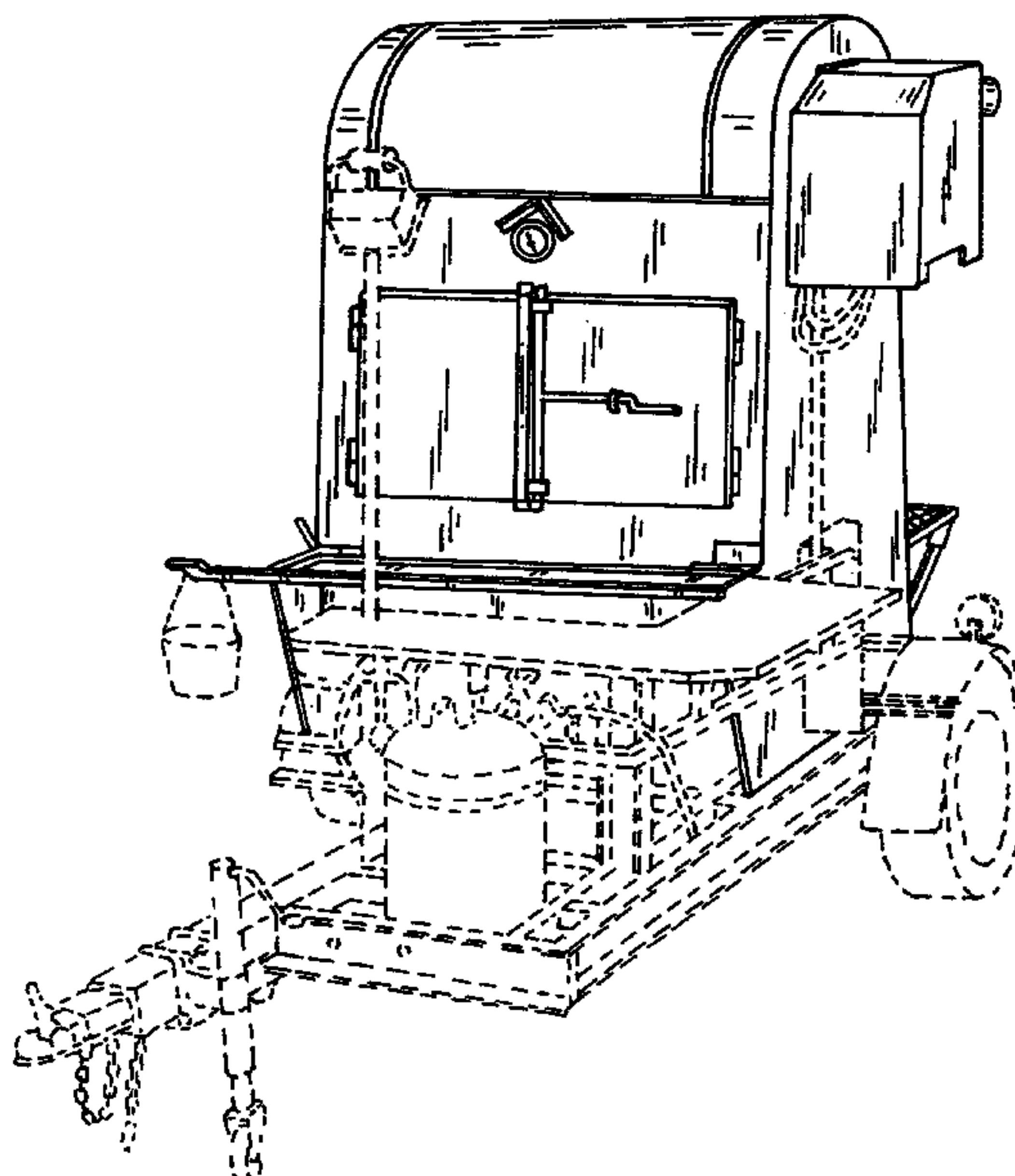
FIG. 6 is a front elevational view thereof;

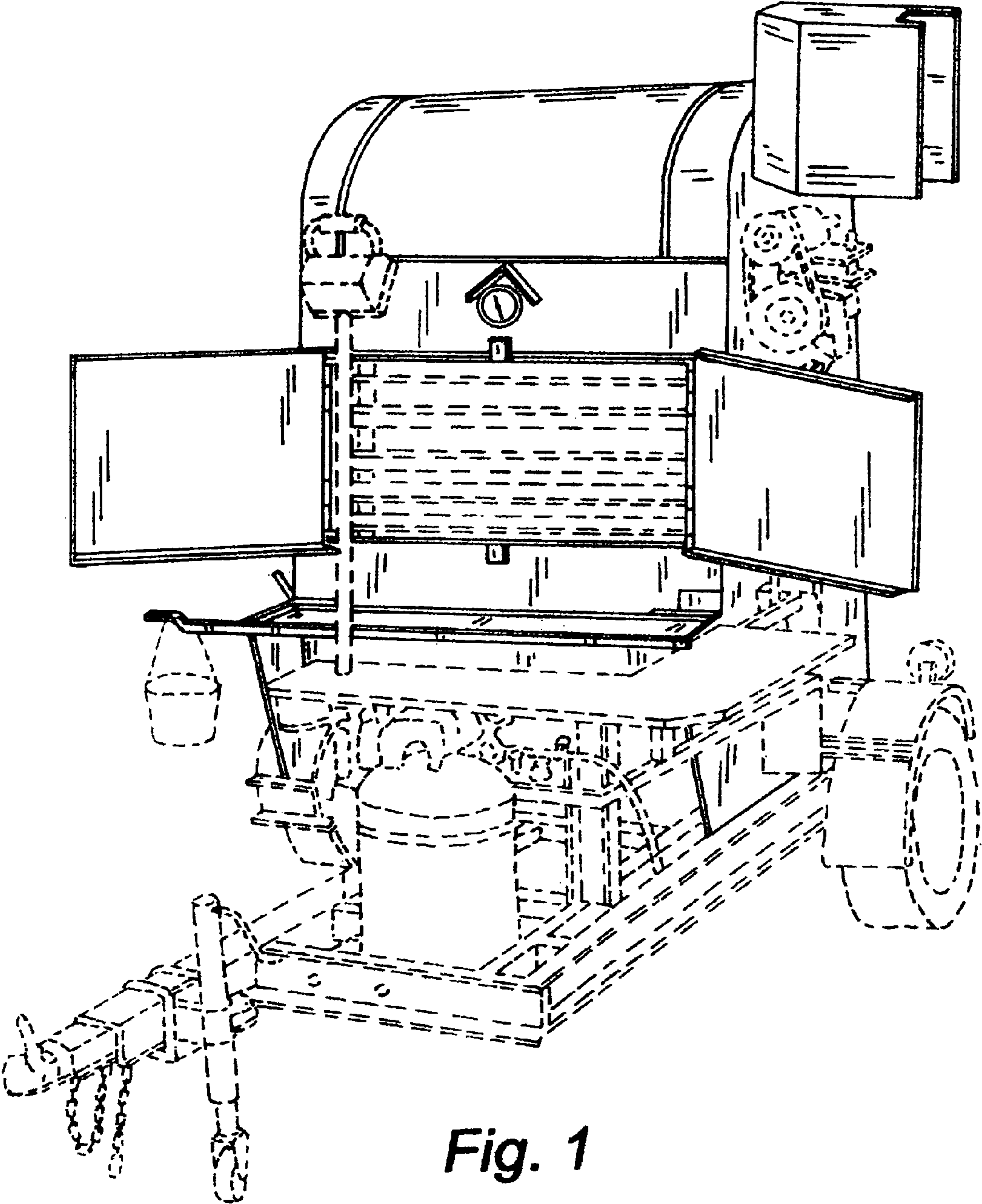
FIG. 7 is a rear elevational view thereof;

FIG. 8 is a top plan view thereof; and,

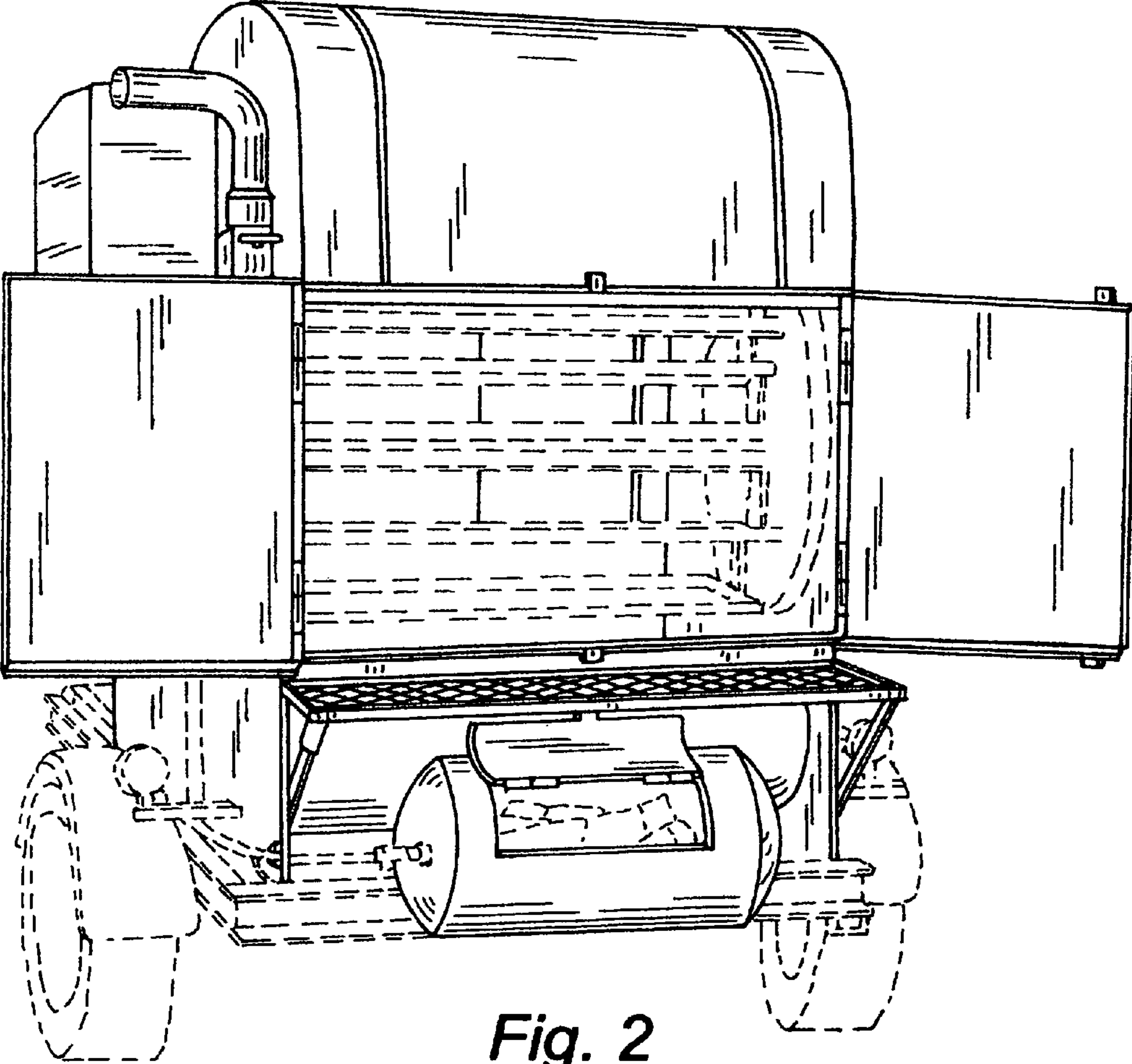
FIG. 9 is a bottom plan view thereof.

**1 Claim, 9 Drawing Sheets**





**Fig. 1**



*Fig. 2*



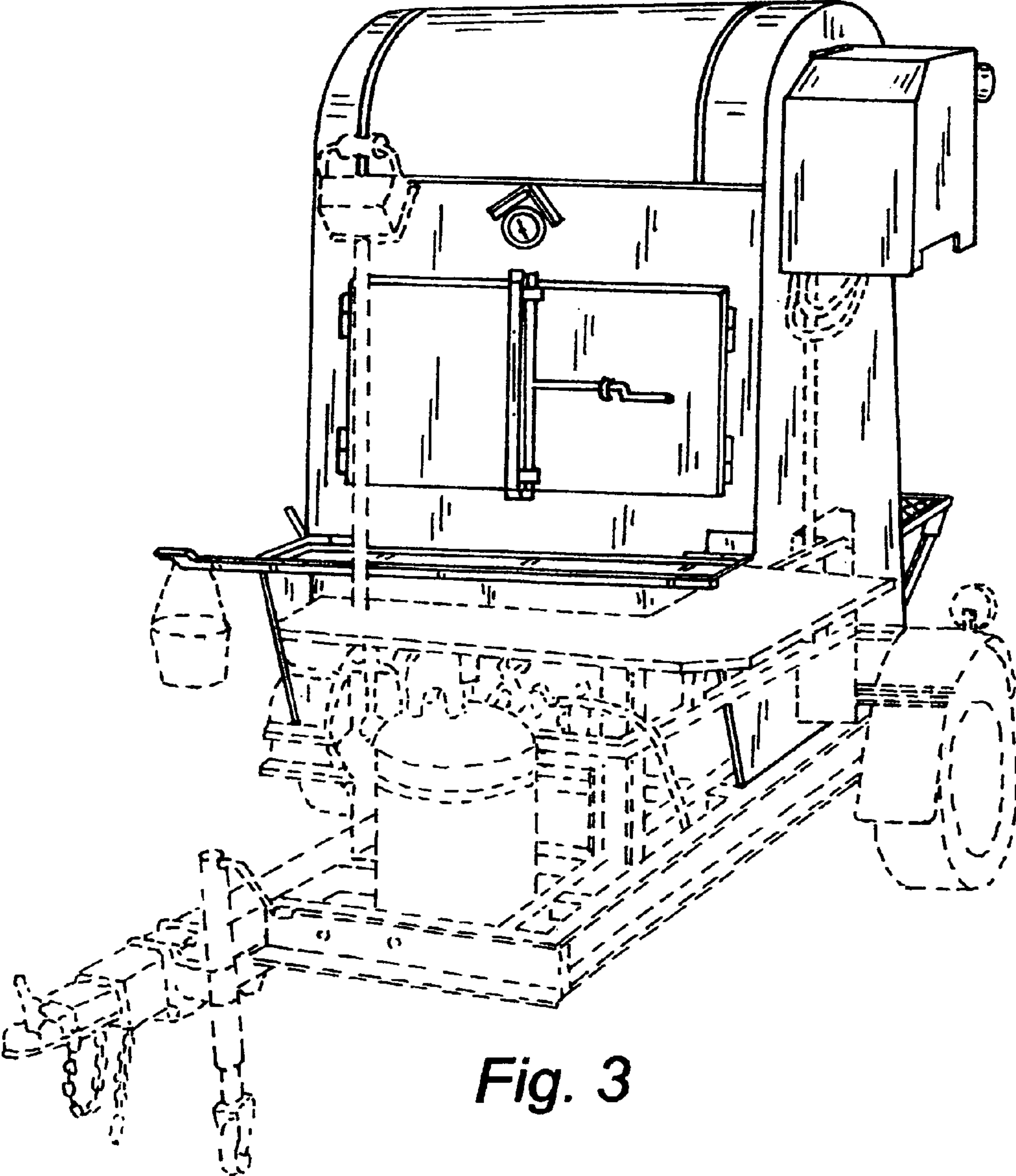
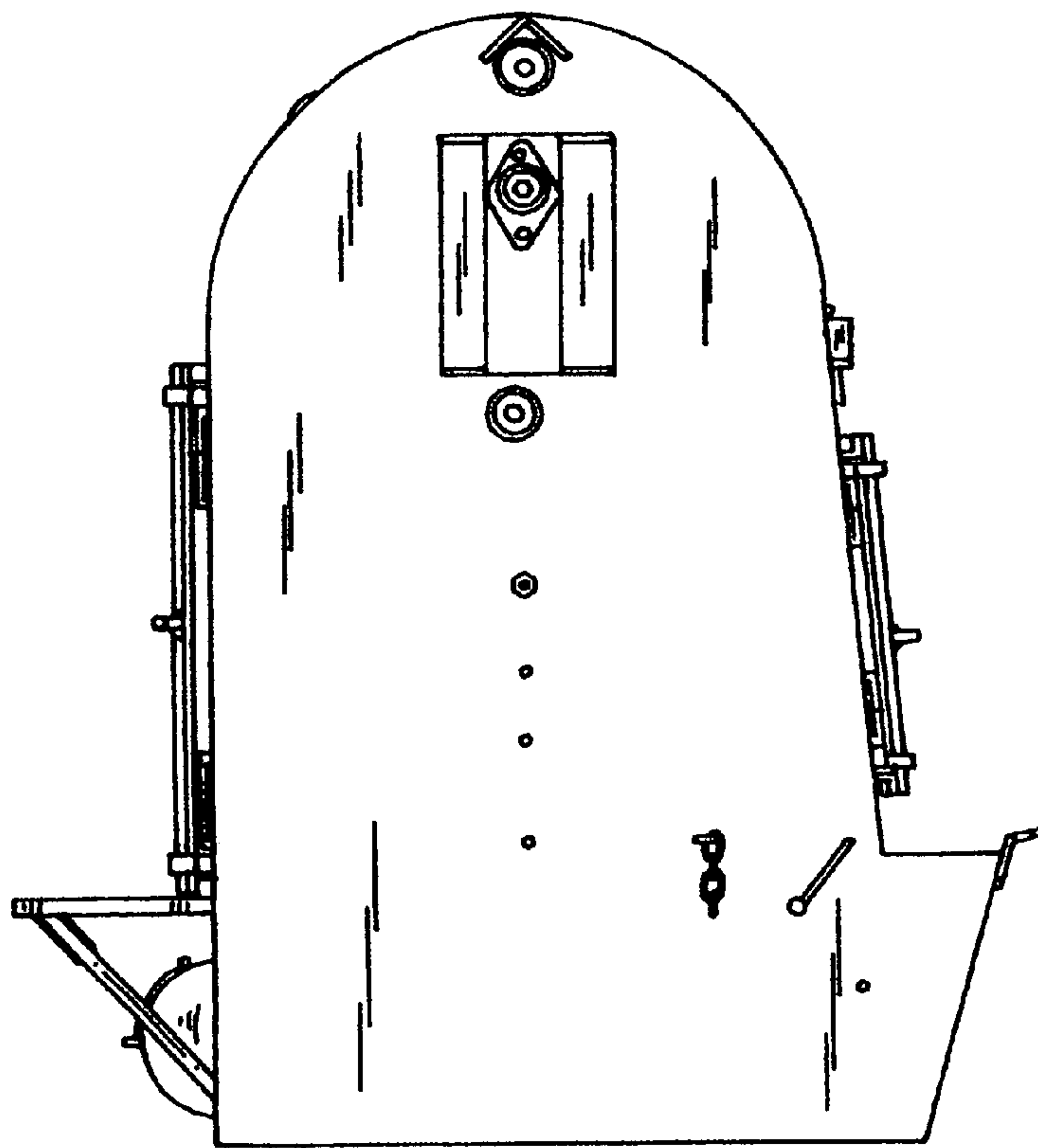
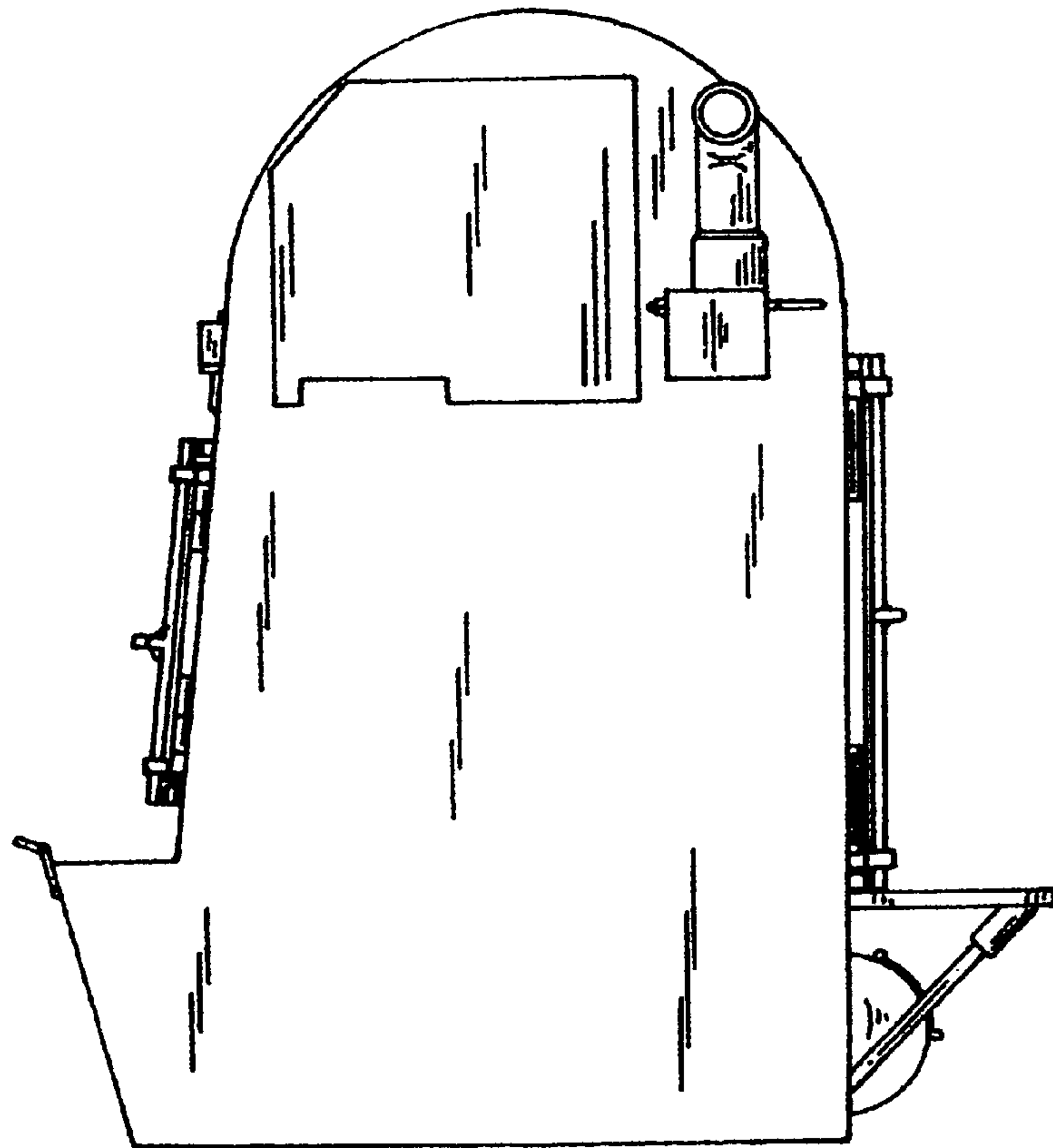


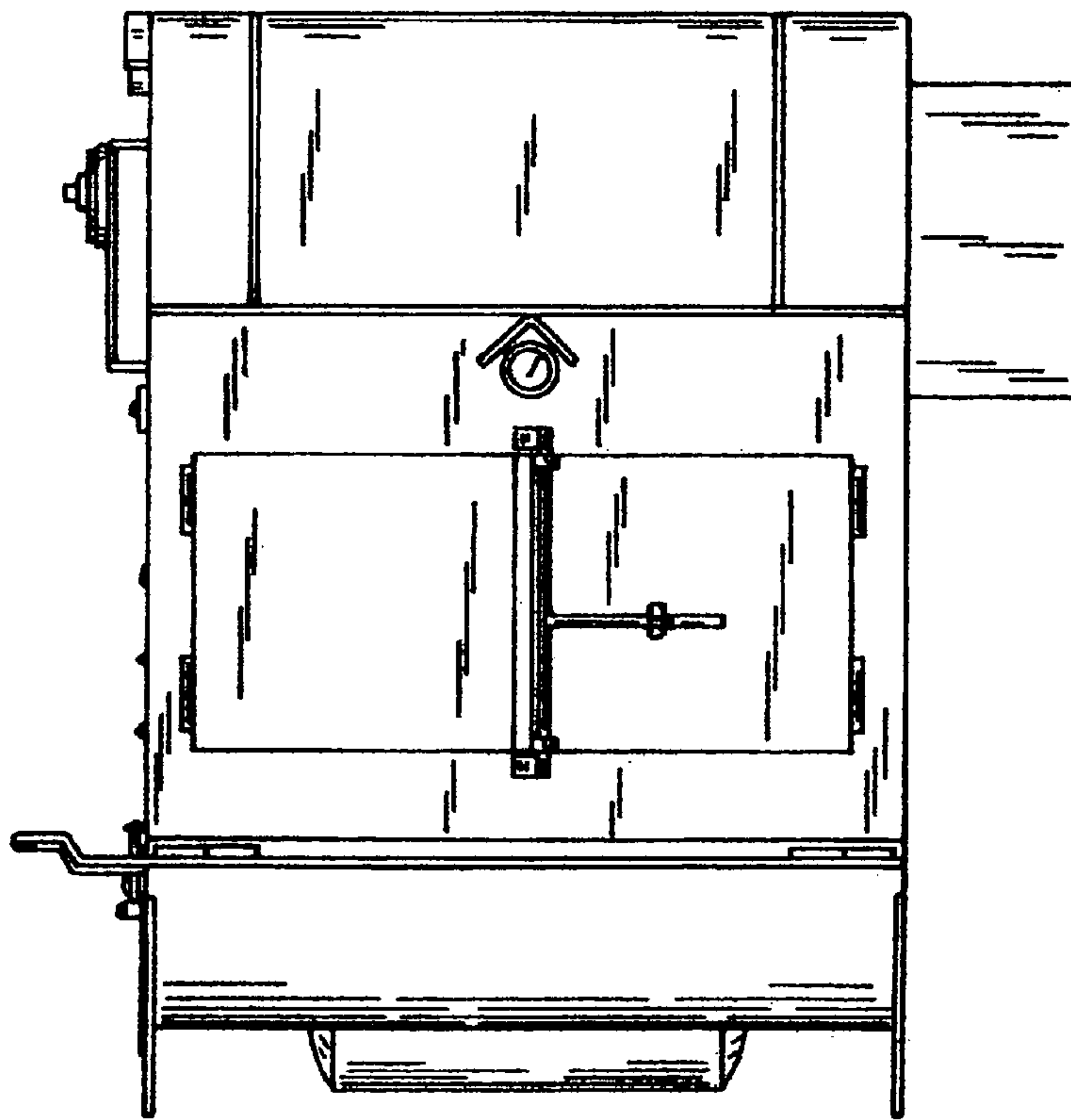
Fig. 3



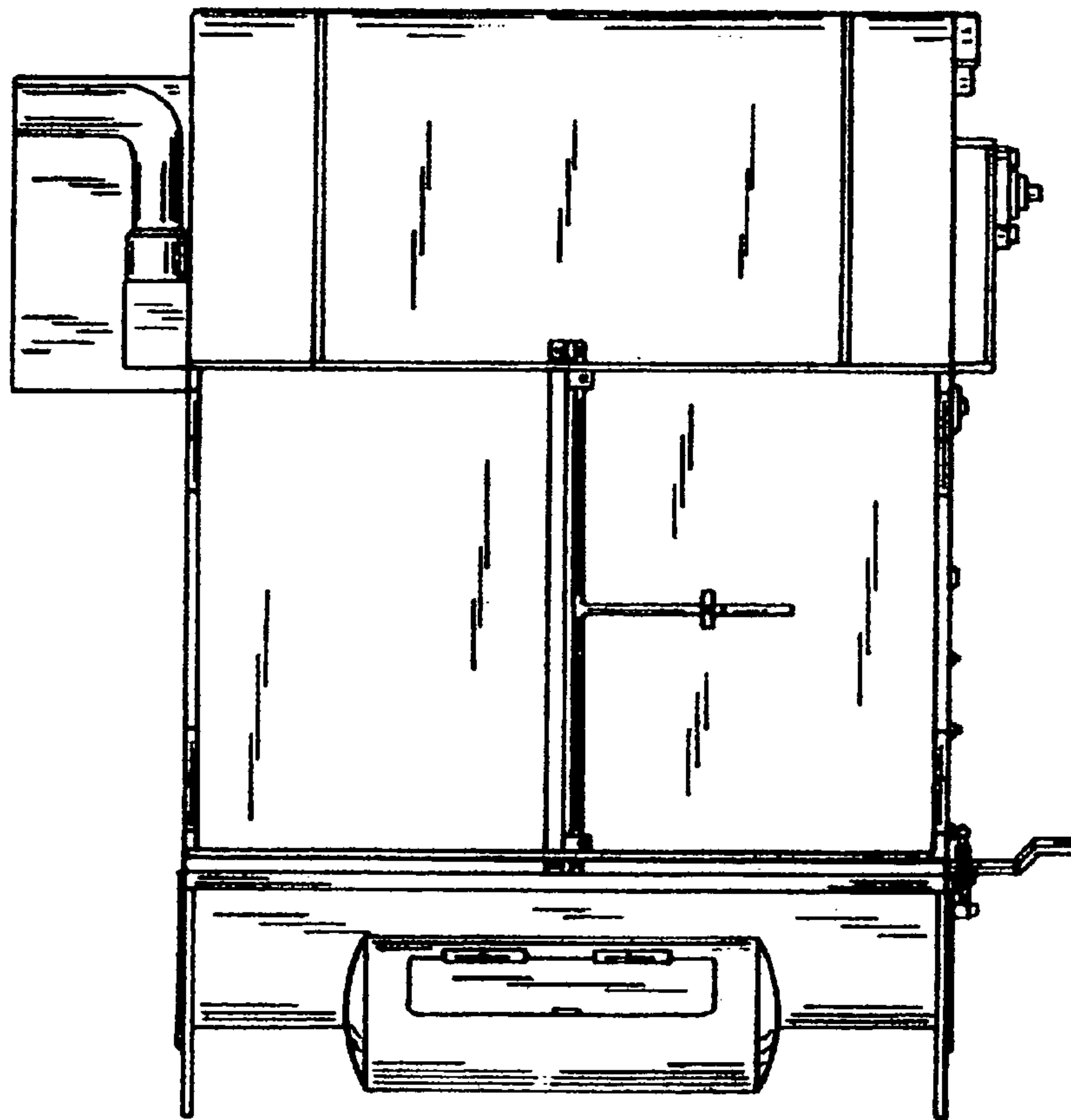
*Fig. 4*



*Fig. 5*

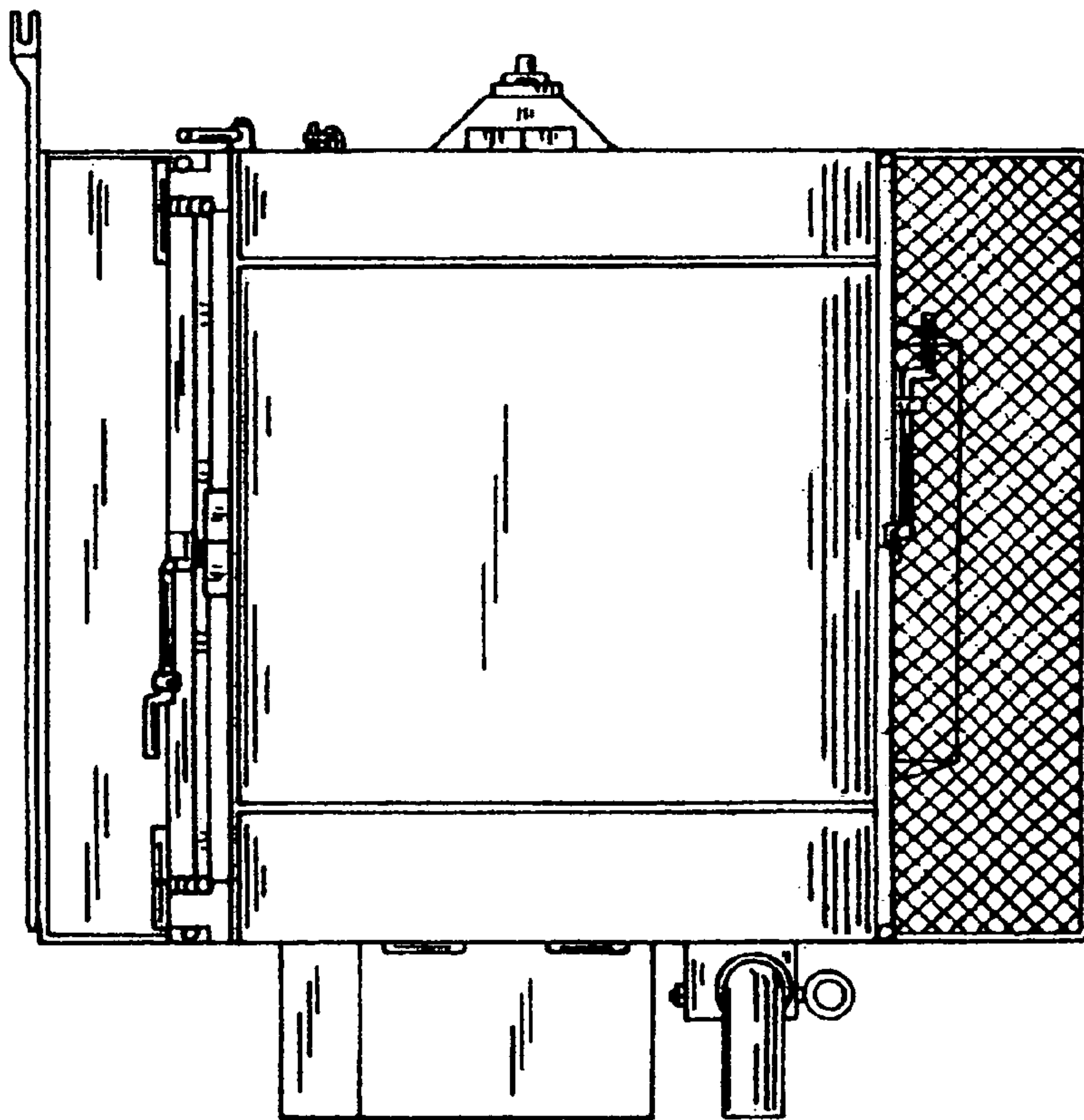


*Fig. 6*

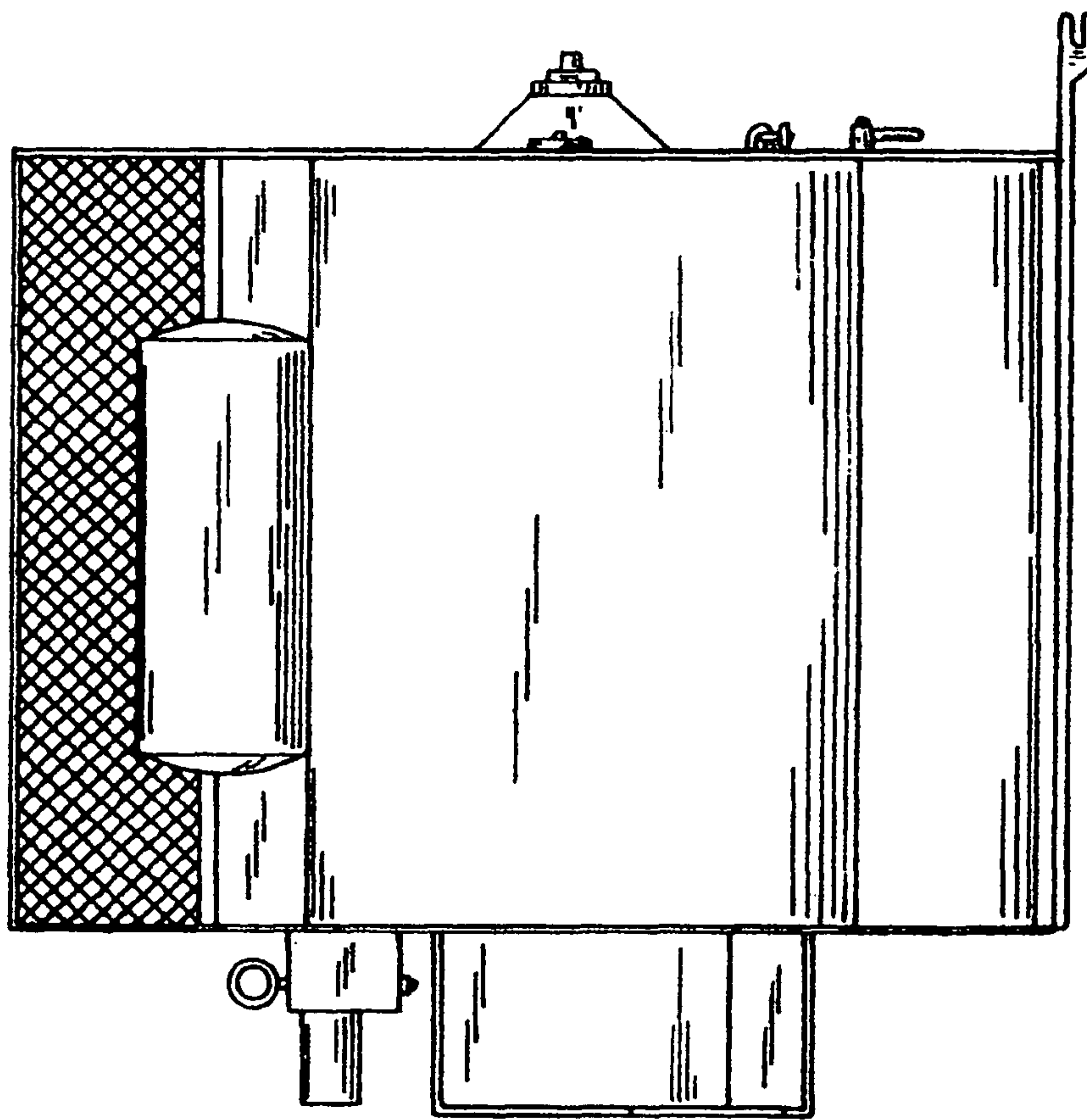


*Fig. 7*





*Fig. 8*



*Fig. 9*