



US00D643669S

(12) **United States Design Patent**
Burgess et al.

(10) **Patent No.:** **US D643,669 S**

(45) **Date of Patent:** **** *Aug. 23, 2011**

(54) **COOLER**

(75) Inventors: **Roddy Burgess**, Charlotte, NC (US);
Ian Cunningham, Huntersville, NC
(US); **Thomas E. Hanna**, Huntersville,
NC (US); **Robert J. Warner, Jr.**,
Charlotte, NC (US)

(73) Assignee: **Rubbermaid Incorporated**,
Huntersville, NC (US)

(*) Notice: This patent is subject to a terminal dis-
claimer.

(**) Term: **14 Years**

(21) Appl. No.: **29/361,330**

(22) Filed: **May 10, 2010**

Related U.S. Application Data

(63) Continuation of application No. 29/351,819, filed on
Dec. 11, 2009, now abandoned.

(51) **LOC (9) Cl.** **07-01**

(52) **U.S. Cl.** **D7/313; D7/306; D7/608**

(58) **Field of Classification Search** D7/313,
D7/306-311, 312, 300, 603-608; 99/291,
99/316; 222/153.03, 146.1, 146.6, 129.1;
215/12.1, 13.1; 220/592.2, 592.16, 23.88
See application file for complete search history.

(56) **References Cited**

U.S. PATENT DOCUMENTS

D210,307 S *	2/1968	Branscom	D7/313
D321,457 S	11/1991	Kahl		
D324,154 S	2/1992	Embree		
D325,323 S	4/1992	Kahl		
D325,324 S	4/1992	Kahl		
D325,853 S	5/1992	Kahl		
D337,232 S	7/1993	Kahl		
D340,167 S	10/1993	Kahl		
D344,657 S *	3/1994	Knopp	D7/313
D349,628 S	8/1994	Kahl et al.		
D352,208 S	11/1994	Brookshire		

D354,419 S	1/1995	Kahl et al.		
D366,599 S	1/1996	Brown et al.		
D370,159 S	5/1996	Fenton et al.		
D385,158 S	10/1997	Rausch		
D391,450 S *	3/1998	Rausch	D7/605
D397,585 S	9/1998	Rausch et al.		
D399,706 S	10/1998	Paletti et al.		
D407,609 S	4/1999	Rausch		
D419,822 S *	2/2000	Woodyard	D7/313
D420,860 S	2/2000	Golichowski et al.		
D489,932 S *	5/2004	Picozza et al.	D7/313
D518,335 S *	4/2006	Naft et al.	D7/608

(Continued)

OTHER PUBLICATIONS

http://www.rubbermaid.com/Category/Pages/ProductDetail.aspx?CatName=Coolers&SubcatId=WaterCoolers&Prod_ID=RP091235.

(Continued)

Primary Examiner — Marianne Pandozzi

(74) *Attorney, Agent, or Firm* — Dennis J. Williamson;
Moore & Van Allen, PLLC

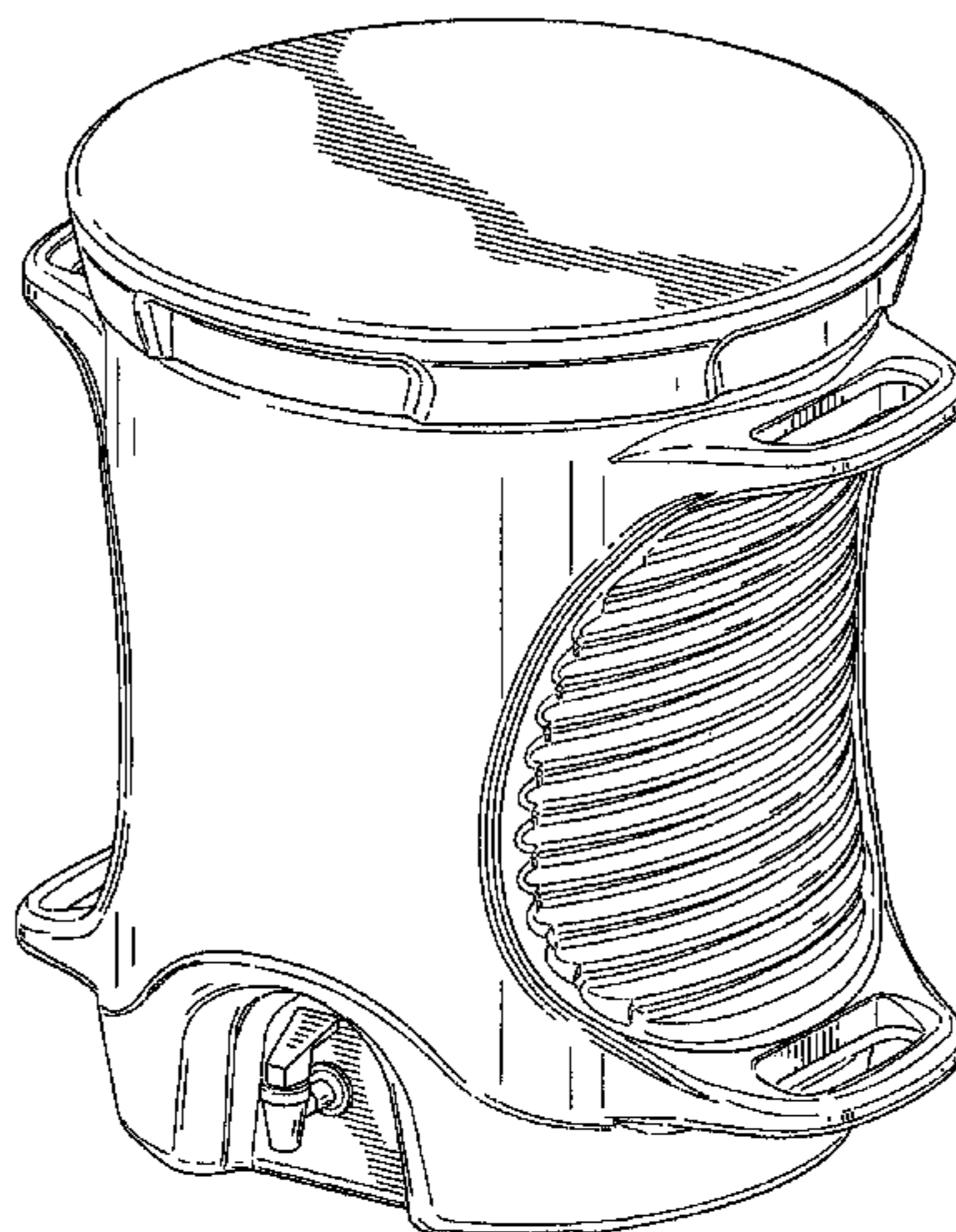
(57) **CLAIM**

The ornamental design for a cooler, as shown and described.

DESCRIPTION

FIG. 1 is a front perspective view showing our new design for a cooler;
FIG. 2 is a front view showing our new design shown in FIG. 1;
FIG. 3 is a right side view showing our new design shown in FIG. 1, the left side view being a mirror image thereof;
FIG. 4 is a back view showing our new design shown in FIG. 1;
FIG. 5 is a back perspective view showing our new design shown in FIG. 1;
FIG. 6 is a top view showing our new design shown in FIG. 1; and,
FIG. 7 is a bottom plan view showing our new design shown in FIG. 1.

1 Claim, 7 Drawing Sheets



U.S. PATENT DOCUMENTS

D530,141 S * 10/2006 Wilgus et al. D7/313
D570,148 S * 6/2008 Garman D7/306
D593,354 S * 6/2009 Romandy D7/306
D602,301 S * 10/2009 Romandy D7/306
D609,521 S * 2/2010 Holsinger D7/313
D613,561 S 4/2010 Burgess et al.
D613,562 S 4/2010 Burgess et al.
D613,563 S 4/2010 Burgess et al.

OTHER PUBLICATIONS

Rubbermaid; 3 Gal Water Cooler; [http://www.rubbermaid.com/rubbermaid/product/product.jhtml? prodId=HPProd150113](http://www.rubbermaid.com/rubbermaid/product/product.jhtml?prodId=HPProd150113); 1 page.
Rubbermaid; 5 Gal Water Cooler; [http://www.rubbermaid.com/rubbermaid/product/product.jhtml? prodId=HPProd150114](http://www.rubbermaid.com/rubbermaid/product/product.jhtml?prodId=HPProd150114); 2 pages.
Rubbermaid; 7 Gal Water Cooler; [http://www.rubbermaid.com/rubbermaid/product/product.jhtml? prodId=HPProd150116](http://www.rubbermaid.com/rubbermaid/product/product.jhtml?prodId=HPProd150116); 1 page.
Rubbermaid; 10 Gal Water Cooler; [http://www.rubbermaid.com/rubbermaid/product/product.jhtml? prodId=HPProd150117](http://www.rubbermaid.com/rubbermaid/product/product.jhtml?prodId=HPProd150117); 2 pages.

Rubbermaid; 1 Gal Victory TM Jug; [http://www.rubbermaid.com/rubbermaid/product/product.jhtml? prodId=HPProd150111](http://www.rubbermaid.com/rubbermaid/product/product.jhtml?prodId=HPProd150111); 2 pages.

Rubbermaid; 2 Gal Victory TM Jug; [http://www.rubbermaid.com/rubbermaid/product/product.jhtml? prodId=HPProd150112](http://www.rubbermaid.com/rubbermaid/product/product.jhtml?prodId=HPProd150112); 2 pages.

Rubbermaid; .5 Gal Victory TM Jug; [http://www.rubbermaid.com/rubbermaid/product/product.jhtml? prodId=HPProd150110](http://www.rubbermaid.com/rubbermaid/product/product.jhtml?prodId=HPProd150110); 1 page.
[http://www.rubbermaid.com/Category/Pages/ProductDetail.aspx? CatName=Coolers&SubcatId=WaterCoolers&Prod_ID=RP091235](http://www.rubbermaid.com/Category/Pages/ProductDetail.aspx?CatName=Coolers&SubcatId=WaterCoolers&Prod_ID=RP091235).

Rubbermaid; 3 Gal Water Cooler; [http://www.rubbermaid.com/rubbermaid/product/product.jhtml? prodId=HPProd150113](http://www.rubbermaid.com/rubbermaid/product/product.jhtml?prodId=HPProd150113); 1 page.

Rubbermaid; 5 Gal Water Cooler; [http://www.rubbermaid.com/rubbermaid/product/product.jhtml? prodId=HPProd150114](http://www.rubbermaid.com/rubbermaid/product/product.jhtml?prodId=HPProd150114); 2 pages.

Rubbermaid; 7 Gal Water Cooler; [http://www.rubbermaid.com/rubbermaid/product/product.jhtml? prodId=HPProd150116](http://www.rubbermaid.com/rubbermaid/product/product.jhtml?prodId=HPProd150116); 1 page.

Rubbermaid; 10 Gal Water Cooler; [http://www.rubbermaid.com/rubbermaid/product/product.jhtml? prodId=HPProd150117](http://www.rubbermaid.com/rubbermaid/product/product.jhtml?prodId=HPProd150117); 2 pages.

* cited by examiner

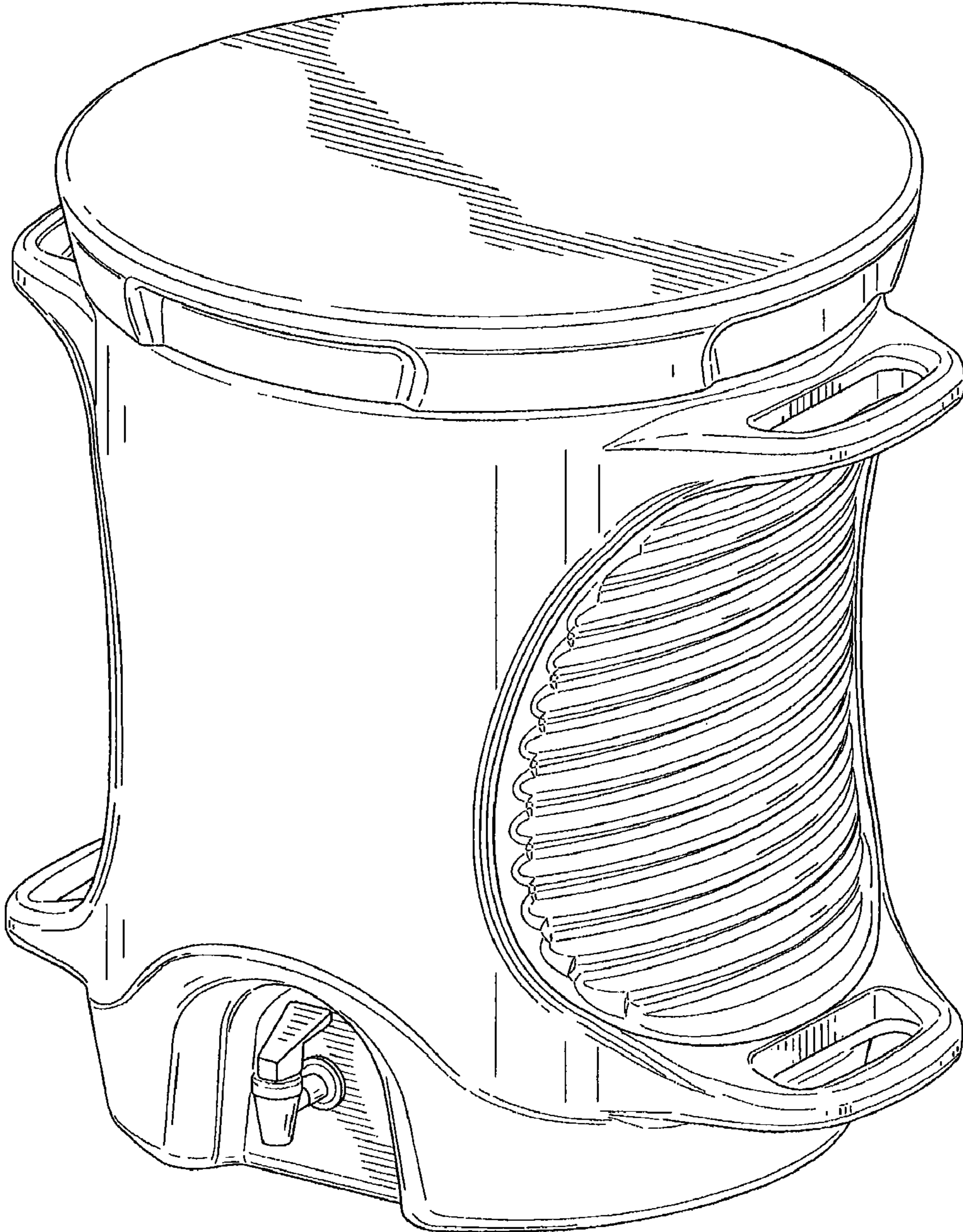


FIG. 1

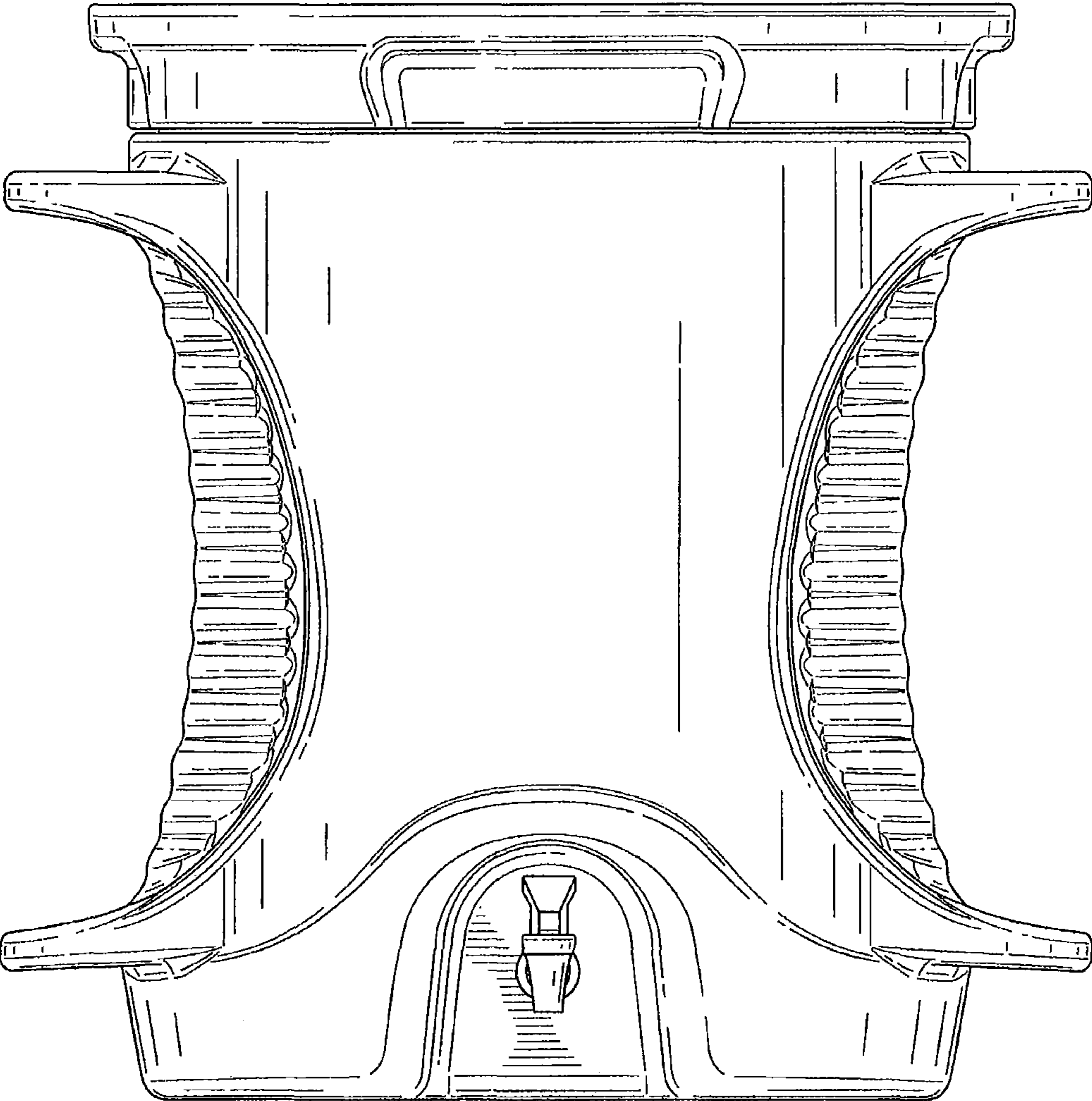


FIG. 2

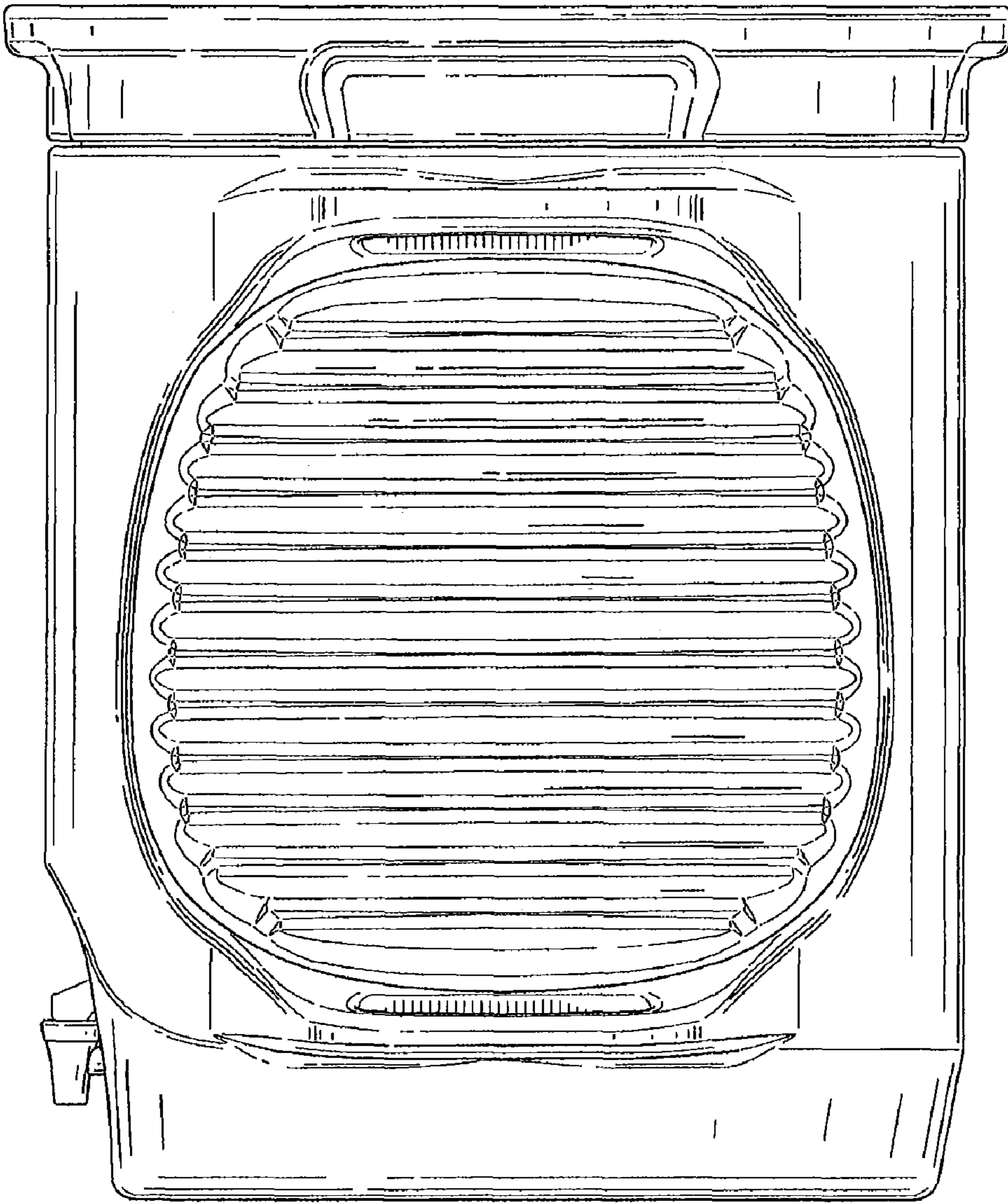


FIG. 3

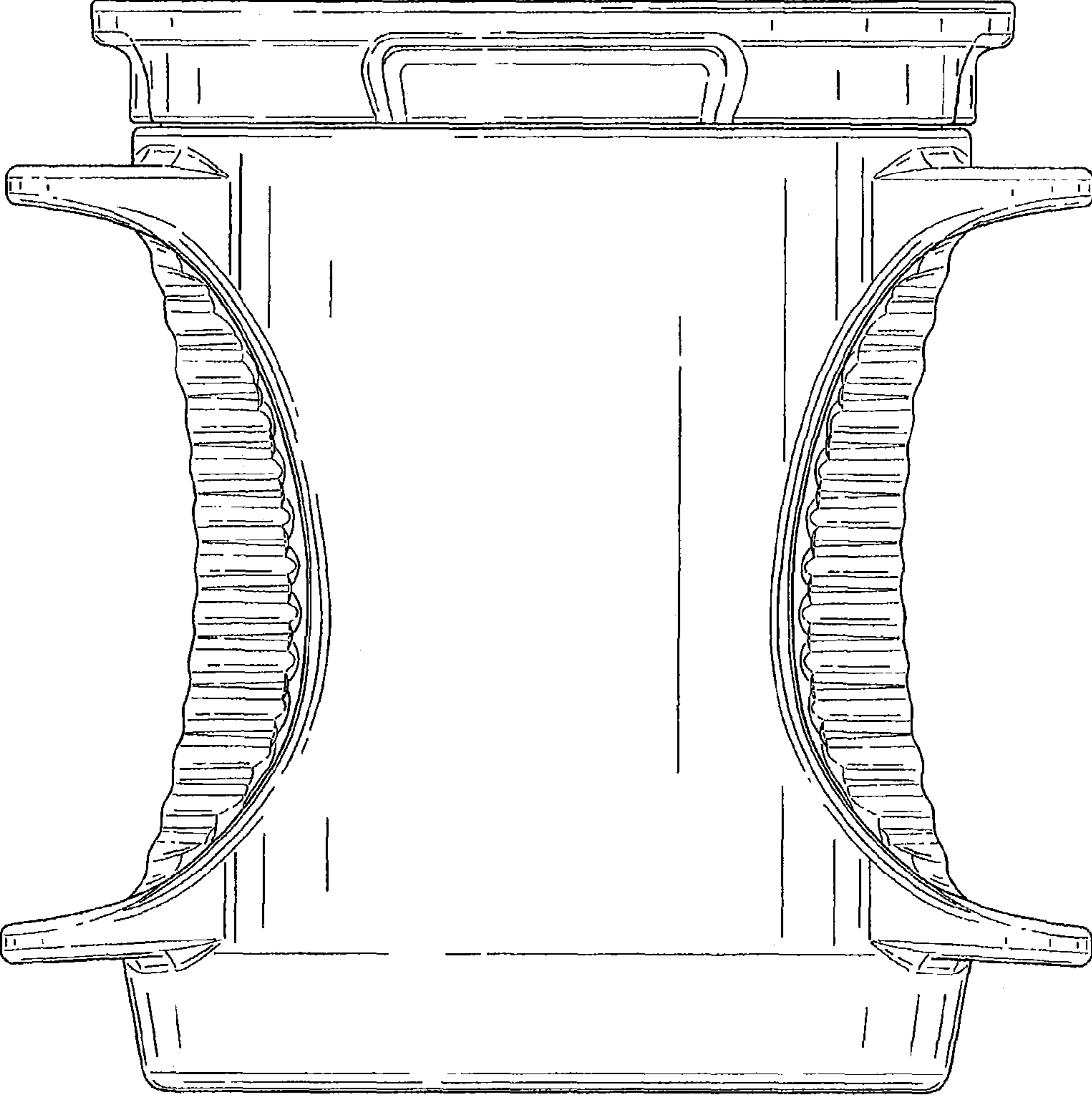


FIG. 4

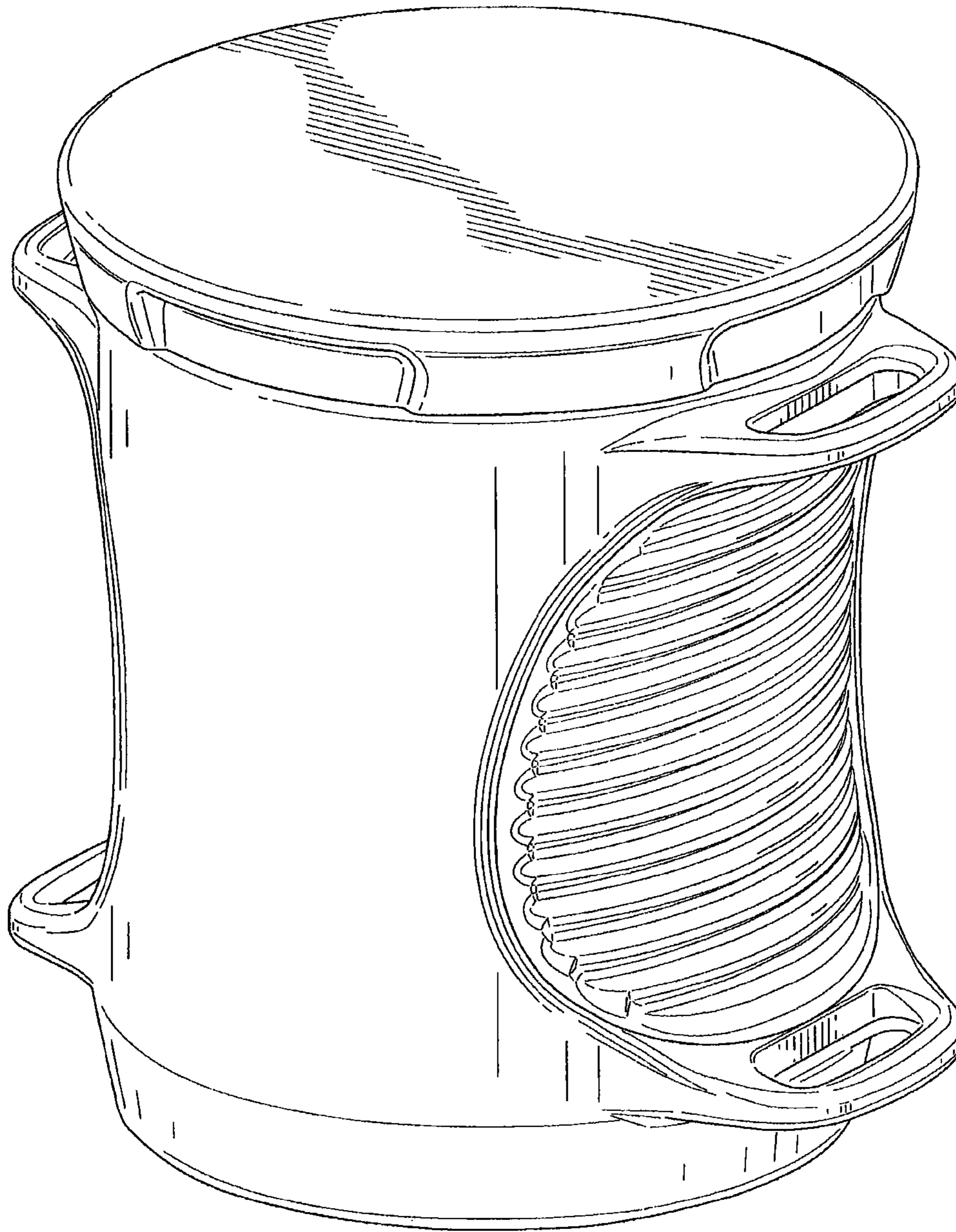


FIG. 5

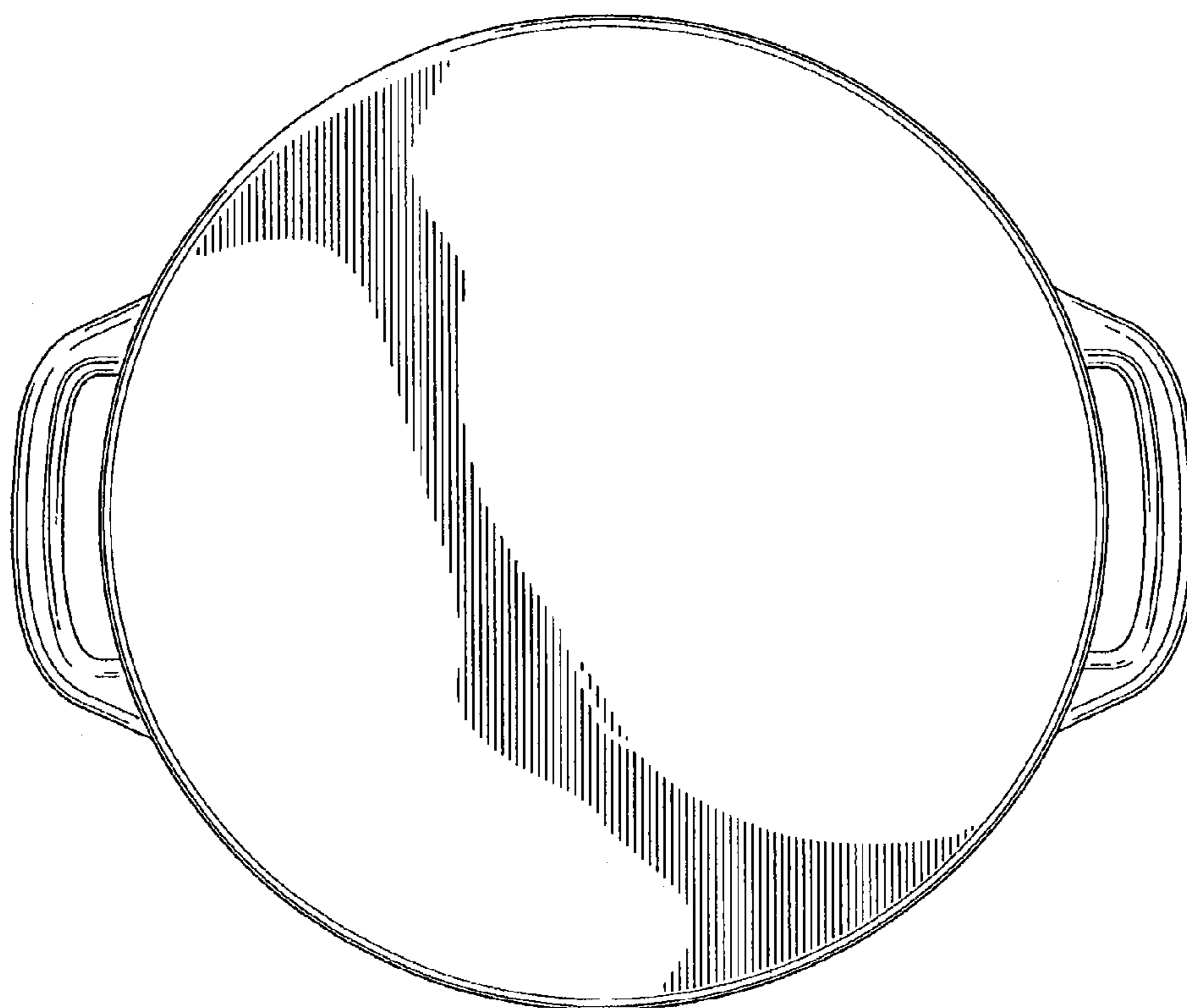


FIG. 6

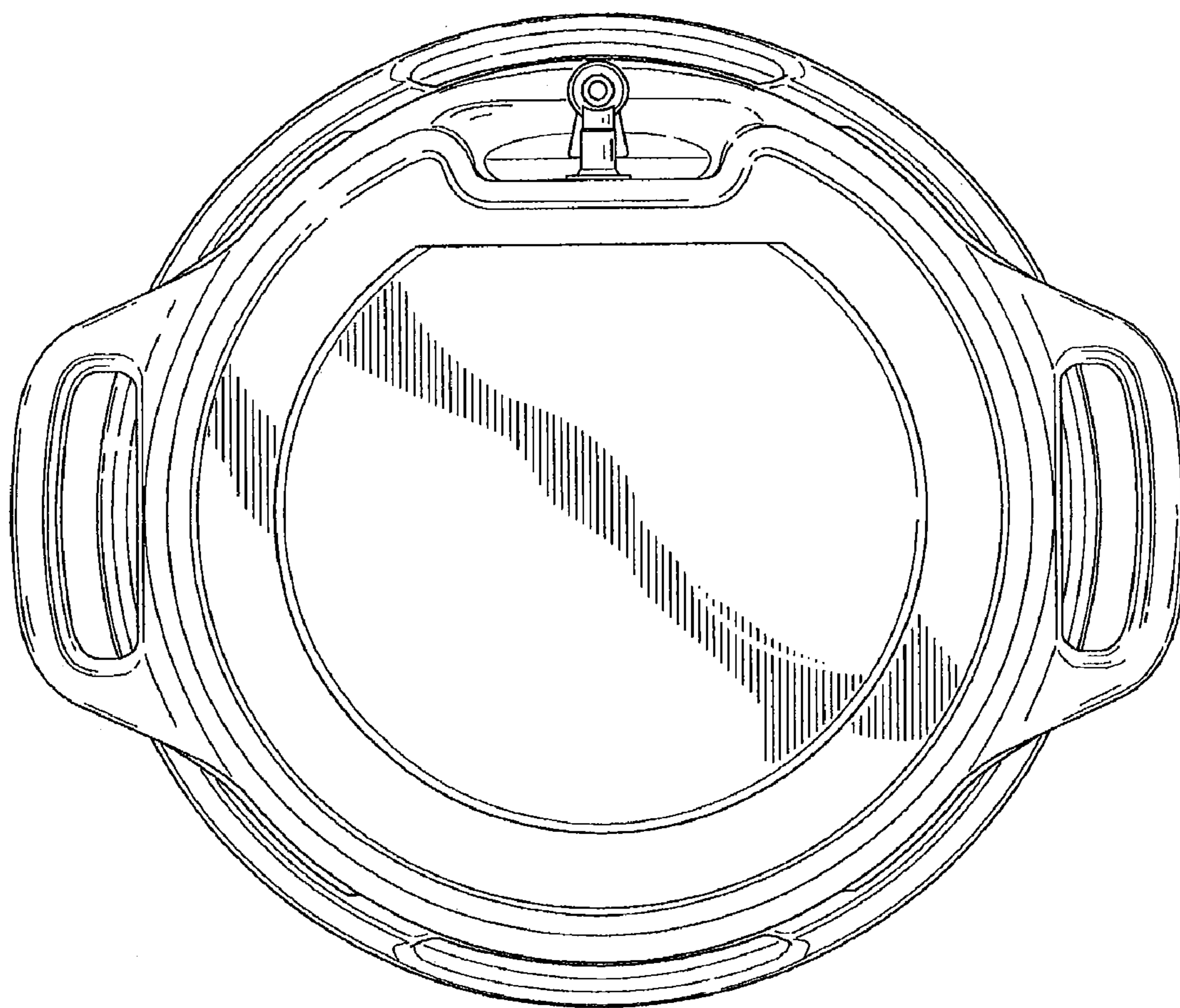


FIG. 7