



US00D643666S

(12) **United States Design Patent**
Yui

(10) **Patent No.:** **US D643,666 S**

(45) **Date of Patent:** **** Aug. 23, 2011**

(54) **BOTTLED WATER DISPENSER**

(76) Inventor: **George Yui**, Toronto (CA)

(**) Term: **14 Years**

(21) Appl. No.: **29/376,524**

(22) Filed: **Oct. 8, 2010**

Related U.S. Application Data

(63) Continuation of application No. 29/334,746, filed on Mar. 31, 2009, now abandoned.

(51) **LOC (9) Cl.** **07-01**

(52) **U.S. Cl.** **D7/307; D7/308; D7/313; D7/311**

(58) **Field of Classification Search** **D7/300, D7/306, 307, 308, 311, 313; 62/390; D20/5; 222/146.6, 146.1**

See application file for complete search history.

(56) **References Cited**

U.S. PATENT DOCUMENTS

| | | | | | | |
|-----------|---|---|---------|----------------|-------|-----------|
| D172,708 | S | * | 7/1954 | Freitag et al. | | D7/306 |
| 4,779,426 | A | * | 10/1988 | Desrosiers | | 62/390 |
| 4,881,380 | A | * | 11/1989 | Mrugala et al. | | 62/389 |
| D313,330 | S | * | 1/1991 | Brusa | | D7/307 |
| 4,991,635 | A | * | 2/1991 | Ulm | | 141/346 |
| D317,544 | S | * | 6/1991 | Birmingham | | D7/307 |
| D350,453 | S | * | 9/1994 | Chaney | | D7/306 |
| D359,649 | S | * | 6/1995 | Salkeld et al. | | D7/307 |
| D366,179 | S | * | 1/1996 | Hauser et al. | | D7/307 |
| D366,803 | S | * | 2/1996 | Hauser et al. | | D7/307 |
| D367,797 | S | * | 3/1996 | Hauser et al. | | D7/307 |
| D394,185 | S | * | 5/1998 | Eddy et al. | | D7/392 |
| D399,088 | S | * | 10/1998 | Chaney | | D7/307 |
| 5,848,735 | A | * | 12/1998 | Eddy et al. | | 222/185.1 |
| D408,207 | S | * | 4/1999 | Bourke | | D7/306 |

| | | | | | | |
|-----------|----|---|---------|------------------|-------|-----------|
| 5,927,557 | A | * | 7/1999 | Busick et al. | | 222/185.1 |
| 6,029,860 | A | * | 2/2000 | Donselman et al. | | 222/185.1 |
| D440,255 | S | * | 4/2001 | Dickson | | D20/5 |
| 6,619,511 | B2 | * | 9/2003 | Hydak et al. | | 222/185.1 |
| 6,793,099 | B1 | * | 9/2004 | Sleiman | | 222/67 |
| D498,969 | S | * | 11/2004 | Nicol | | D7/306 |
| 6,912,867 | B2 | * | 7/2005 | Busick | | 62/338 |
| D539,588 | S | * | 4/2007 | Picache | | D6/610 |
| 7,287,392 | B2 | * | 10/2007 | Brand et al. | | 62/132 |
| D554,930 | S | * | 11/2007 | Lavy | | D7/307 |
| D571,141 | S | * | 6/2008 | Roosmalen et al. | | D7/307 |
| D582,194 | S | * | 12/2008 | Wang | | D7/313 |
| D585,690 | S | * | 2/2009 | Dammkoehler | | D7/307 |
| D604,554 | S | * | 11/2009 | Lippert et al. | | D7/306 |
| D608,130 | S | * | 1/2010 | Moon et al. | | D7/306 |
| D623,885 | S | * | 9/2010 | Wang | | D7/306 |

* cited by examiner

Primary Examiner — Marianne Pandozzi

(57) **CLAIM**

I claim the ornamental design for a bottled water dispenser, as shown and described.

DESCRIPTION

FIG. 1 is a front view of a bottled water dispenser of the present invention;

FIG. 2 is a left side view of the bottled water dispenser of FIG. 1;

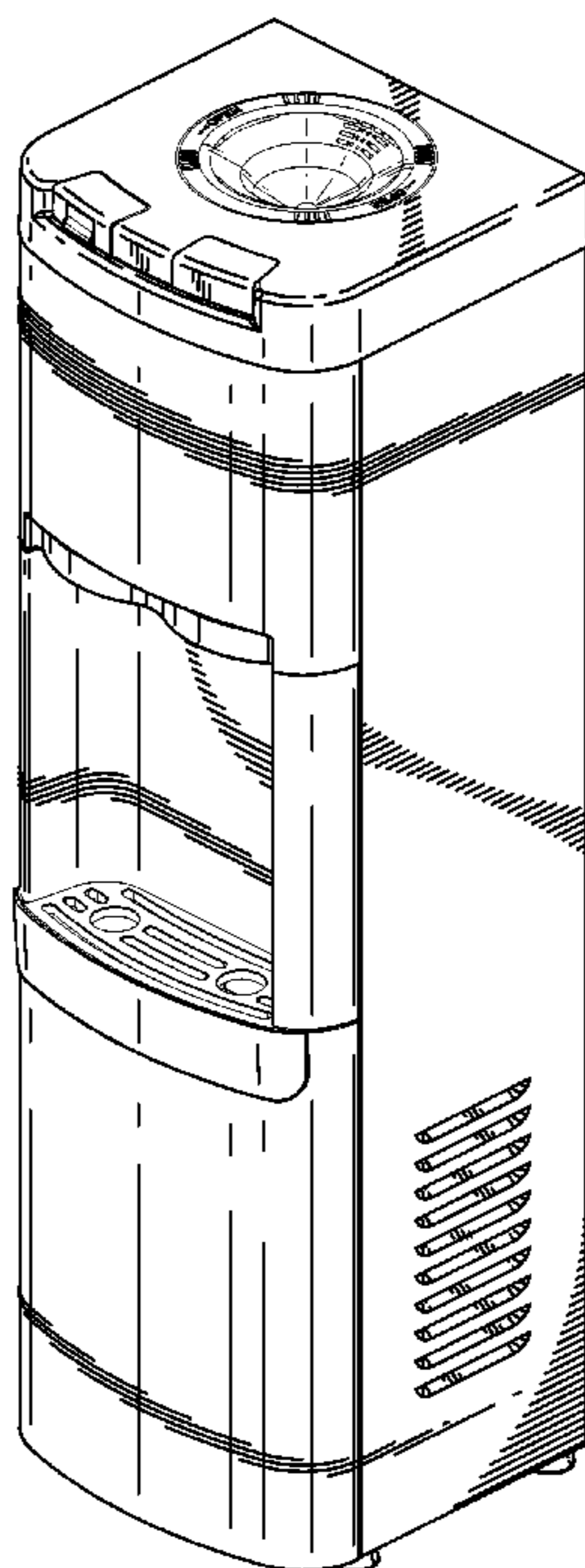
FIG. 3 is a right side view of the bottled water dispenser of FIG. 1;

FIG. 4 is a top plan view thereof; and,

FIG. 5 is a perspective view of the bottled water dispenser of FIG. 1.

The broken lines in the drawings are included for the purpose of illustration and form no part of the claimed design.

1 Claim, 5 Drawing Sheets



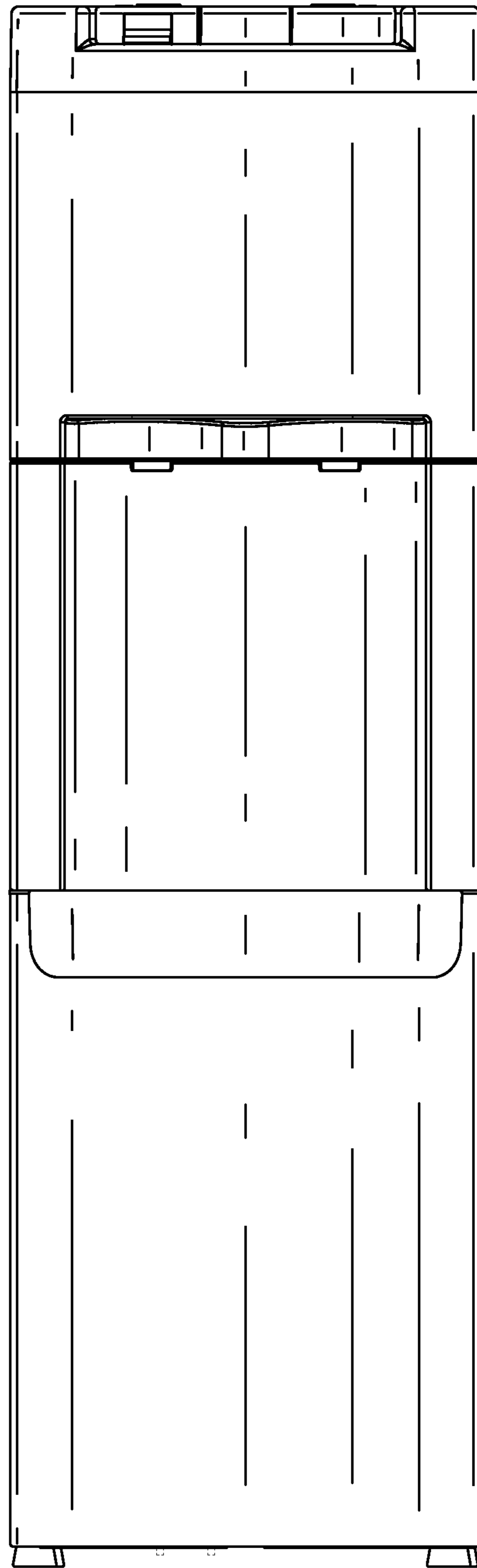


FIG. 1

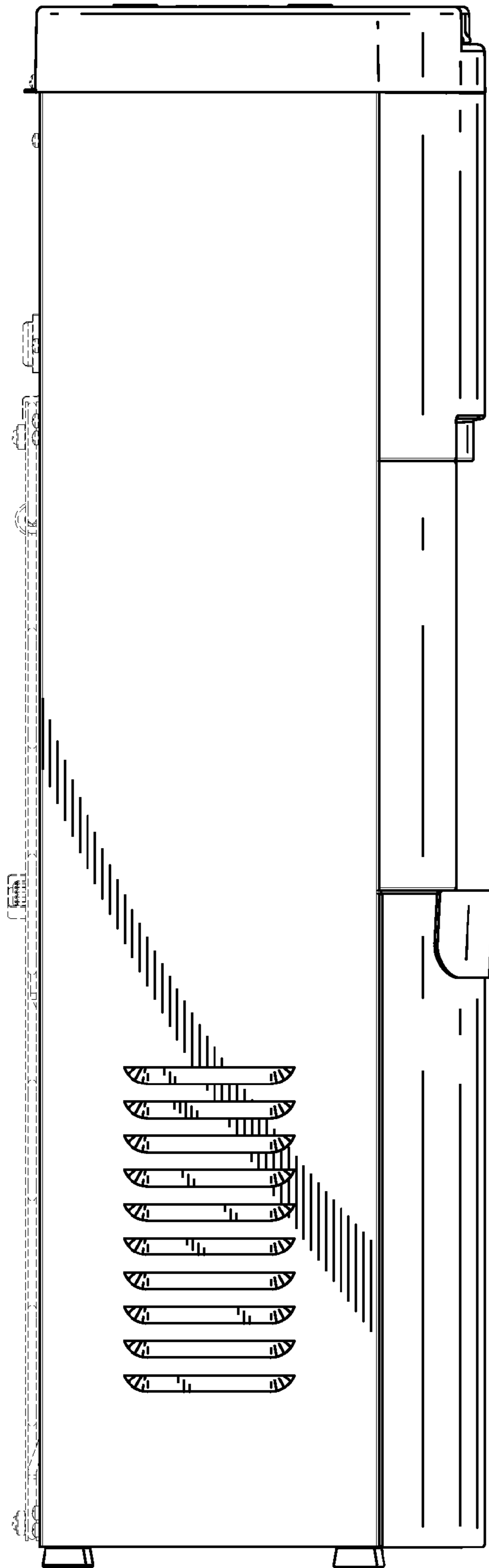


FIG. 2

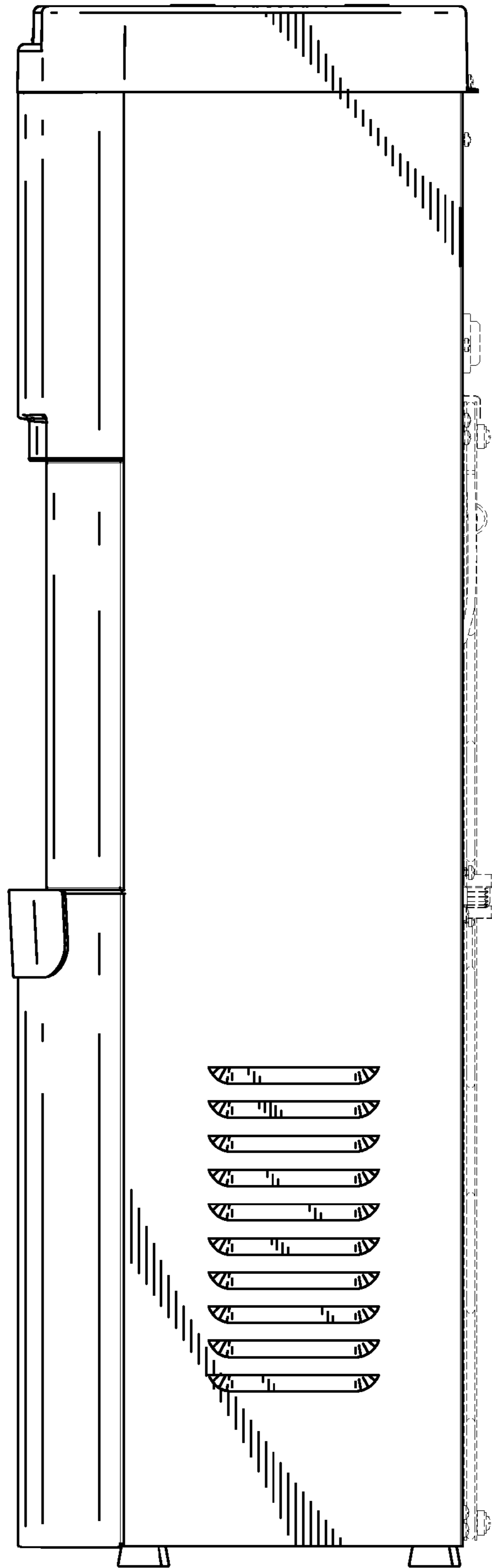


FIG. 3

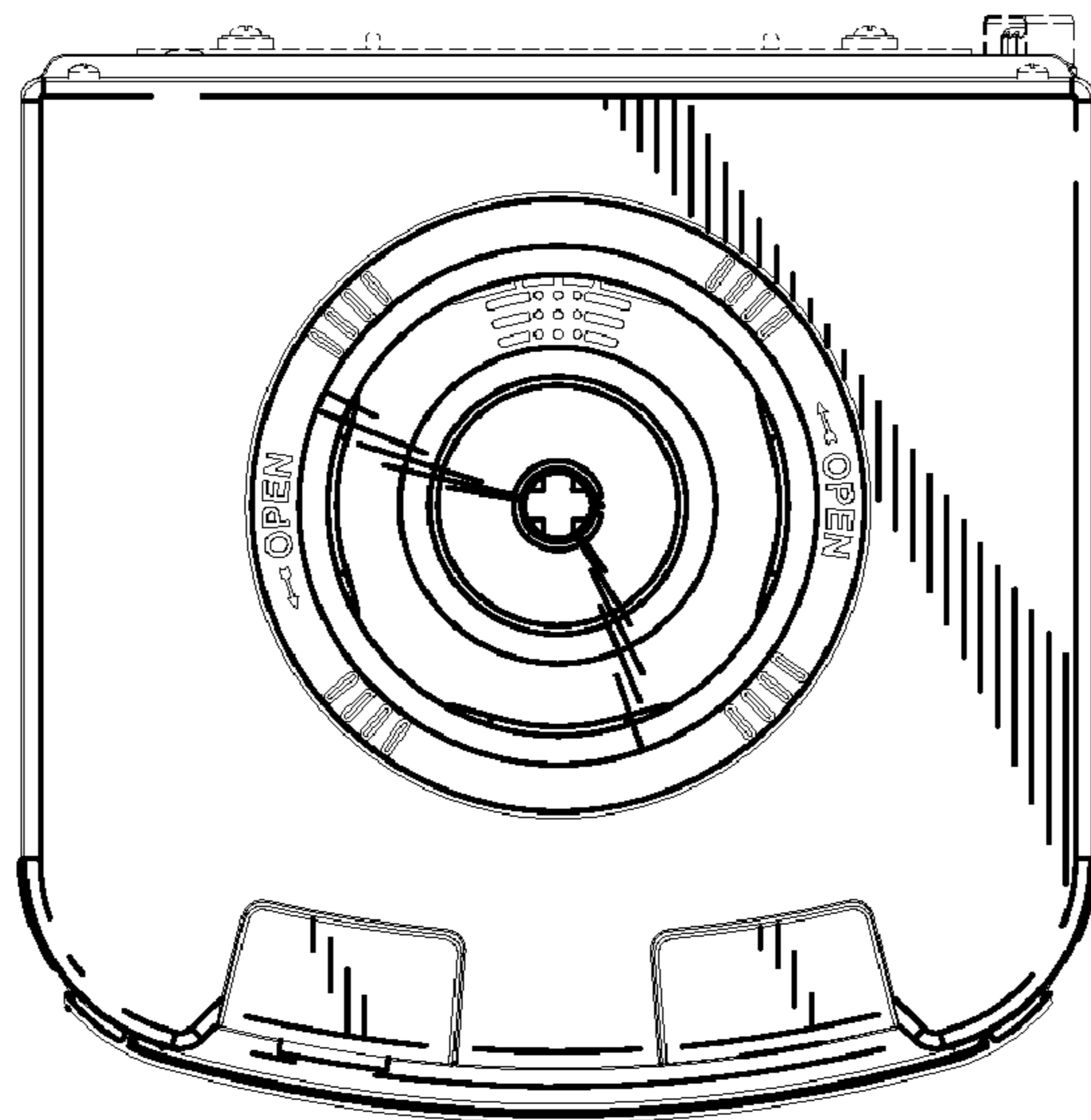


FIG. 4

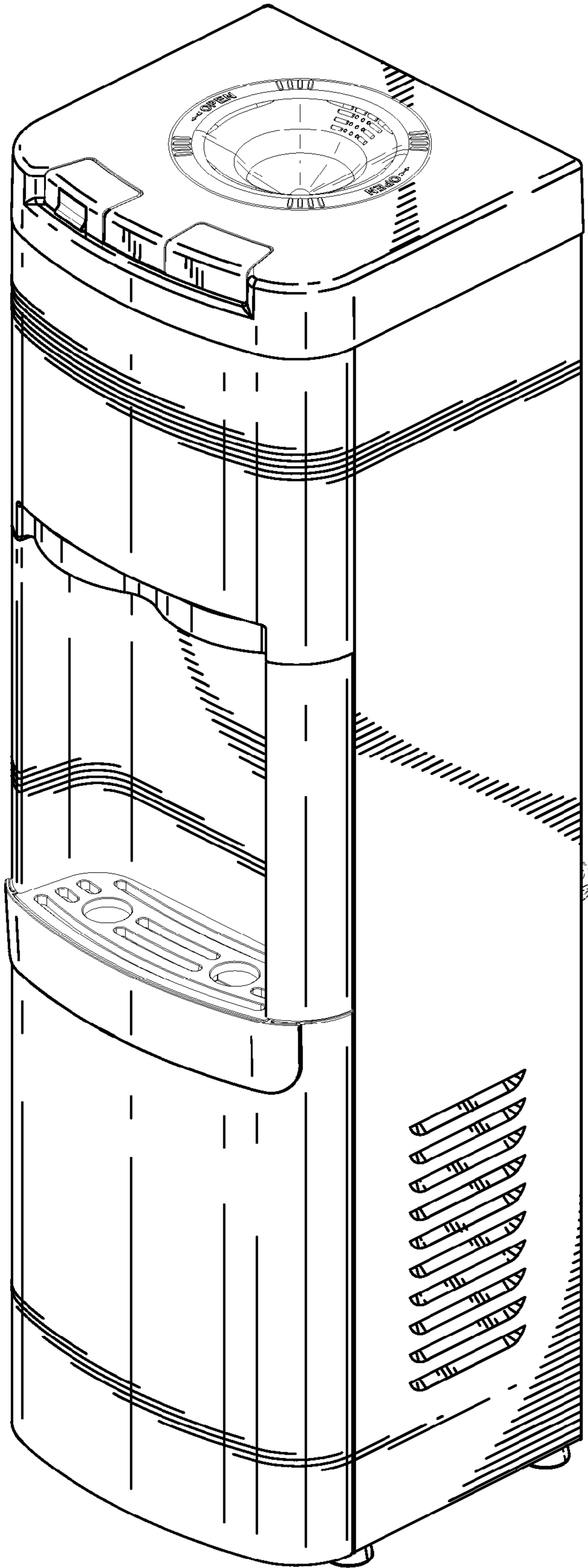


FIG. 5