



US00D643664S

(12) **United States Design Patent**  
**Goodman et al.**

(10) **Patent No.:** **US D643,664 S**  
(45) **Date of Patent:** **\*\* Aug. 23, 2011**

(54) **WALL-MOUNT JEWELRY RACK**  
(75) Inventors: **Sheldon H. Goodman**, Solon, OH (US);  
**Omer I. Sazir**, Cleveland, OH (US)

(73) Assignee: **Spectrum Diversified Designs, Inc.**,  
Streetsboro, OH (US)

(\*\*) Term: **14 Years**

(21) Appl. No.: **29/368,095**

(22) Filed: **Aug. 18, 2010**

(51) **LOC (9) Cl.** ..... **06-04**

(52) **U.S. Cl.** ..... **D6/566**

(58) **Field of Classification Search** ..... D6/512-514,  
D6/553, 566, 567, 569, 315, 320, 327; D8/349,  
D8/354, 367, 372; 248/301-304, 309.1,  
248/309.2; 211/13.1, 30, 32, 70.6, 56.01,  
211/87.01, 181.1

See application file for complete search history.

(56) **References Cited**

U.S. PATENT DOCUMENTS

D466,396 S \* 12/2002 Snell ..... D6/513  
D540,091 S \* 4/2007 Snell ..... D6/566  
D553,890 S \* 10/2007 Goodman et al. .... D6/566

D567,561 S \* 4/2008 Rodriguez et al. .... D6/566  
D568,651 S \* 5/2008 Goodman et al. .... D6/566  
D568,652 S \* 5/2008 Goodman et al. .... D6/566  
D575,973 S \* 9/2008 Goodman et al. .... D6/566

\* cited by examiner

*Primary Examiner* — Brian N Vinson

(74) *Attorney, Agent, or Firm* — Pearne & Gordon LLP

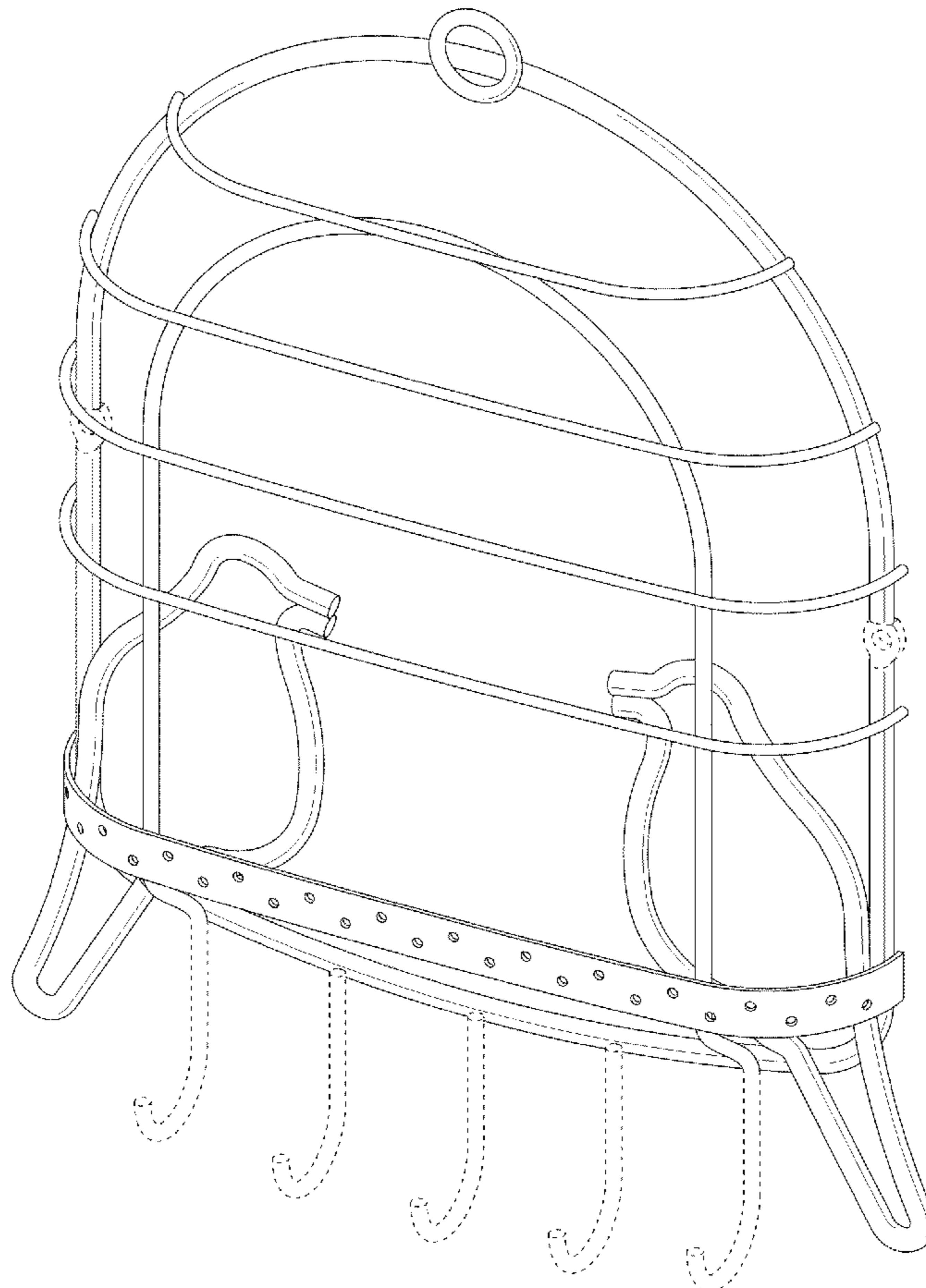
(57) **CLAIM**

The ornamental design for a wall-mount jewelry rack, as shown and described.

**DESCRIPTION**

FIG. 1 is a perspective view of a wall-mount jewelry rack showing our new design;  
FIG. 2 is a top plan view thereof;  
FIG. 3 is a front elevational view thereof;  
FIG. 4 is a bottom plan view thereof;  
FIG. 5 is a right side elevational view thereof, the left side elevational view being a mirror image; and,  
FIG. 6 is a rear elevational view thereof.  
The broken-line disclosure is understood to represent a portion of the article in which the claimed design is embodied, but which forms no part of the claimed design.

**1 Claim, 3 Drawing Sheets**



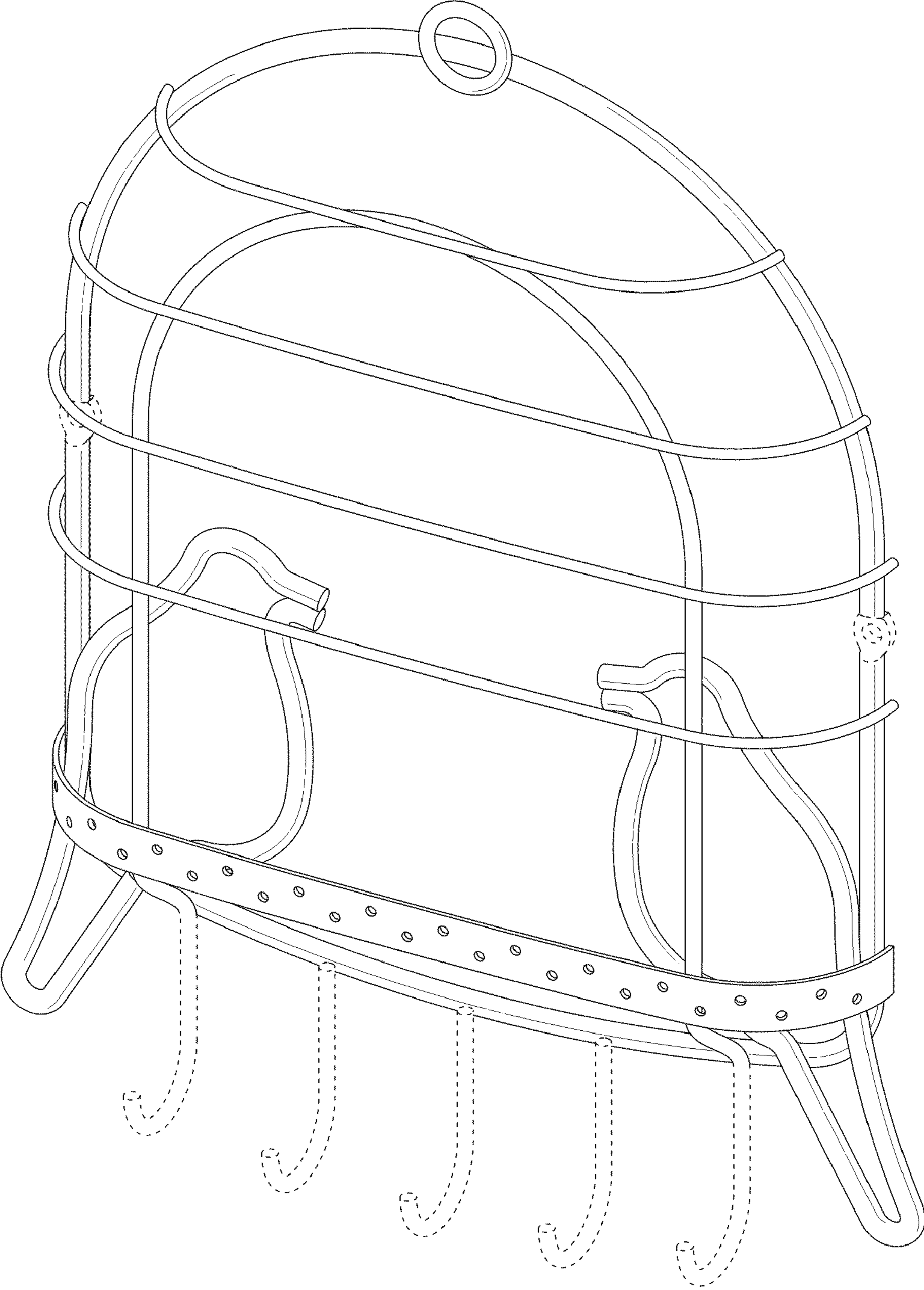
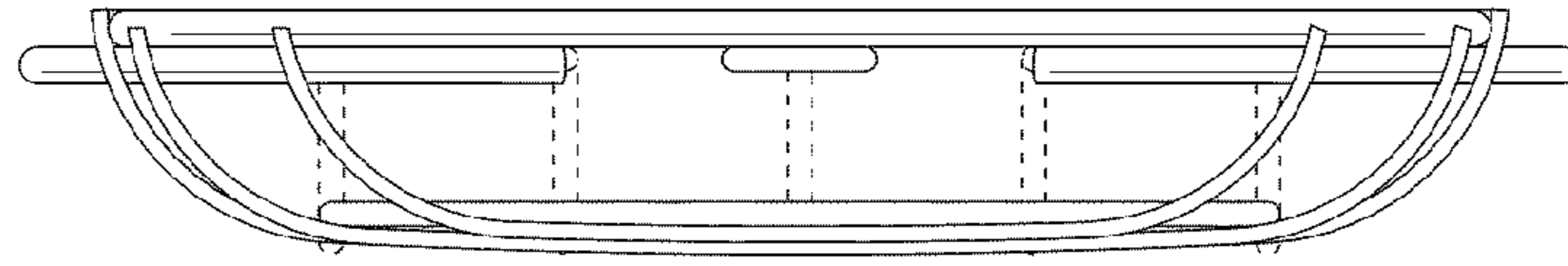
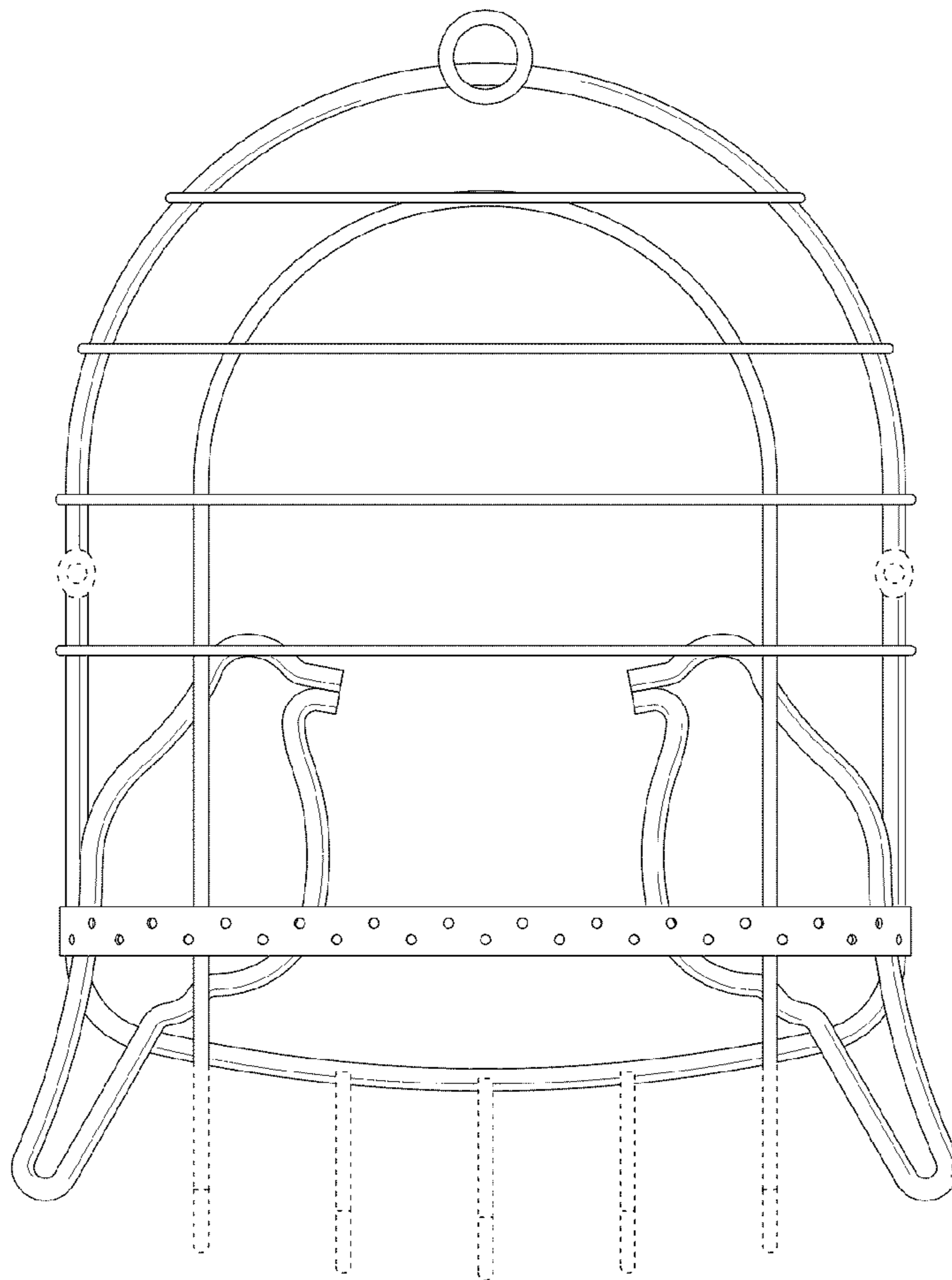


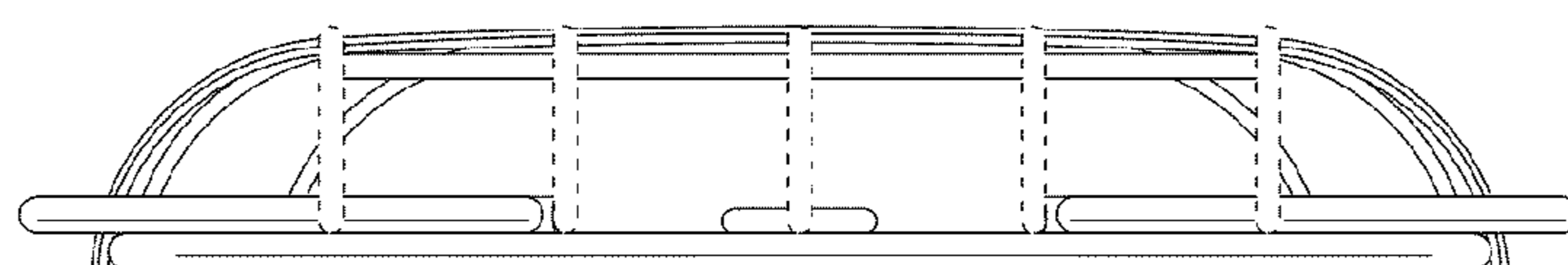
FIG. 1



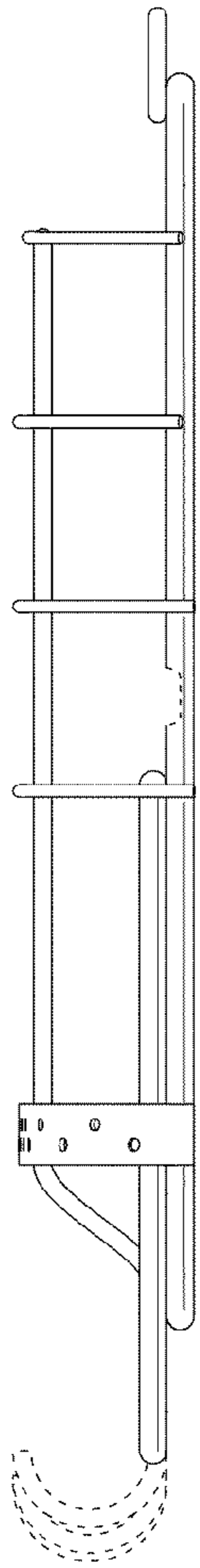
**FIG. 2**



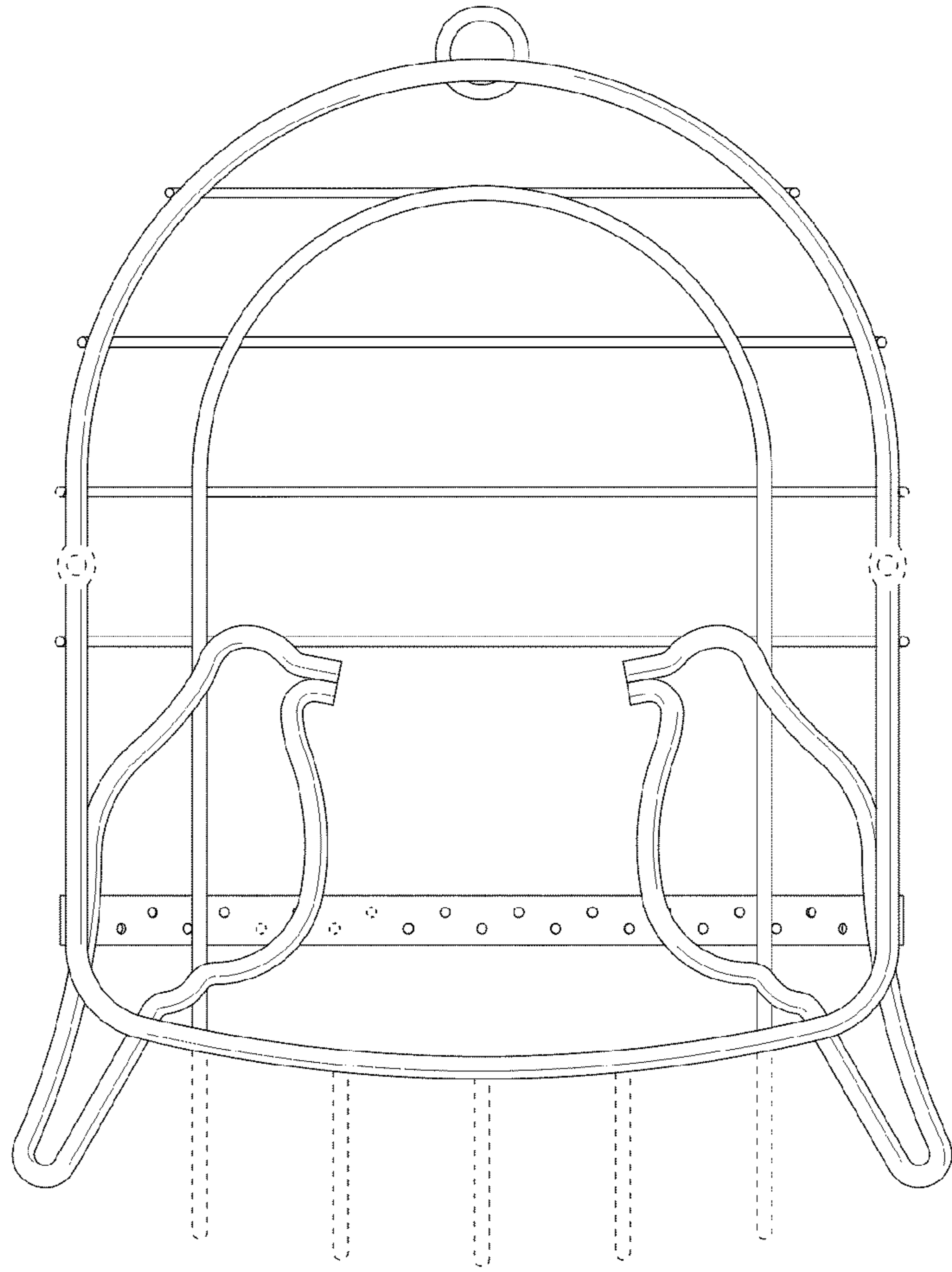
**FIG. 3**



**FIG. 4**



**FIG. 5**



**FIG. 6**