



US00D643662S

(12) **United States Design Patent**  
**Goodman et al.**

(10) **Patent No.:** **US D643,662 S**  
(45) **Date of Patent:** **\*\* Aug. 23, 2011**

(54) **RACK**

**DESCRIPTION**

(75) Inventors: **Sheldon H. Goodman**, Solon, OH (US);  
**Omer I. Sazir**, Cleveland, OH (US);  
**Elizabeth A. Cho**, Strongsville, OH (US)

(73) Assignee: **Spectrum Diversified Designs, Inc.**,  
Streetsboro, OH (US)

(\*\*) Term: **14 Years**

(21) Appl. No.: **29/367,890**

(22) Filed: **Aug. 14, 2010**

(51) **LOC (9) Cl.** ..... **06-04**

(52) **U.S. Cl.** ..... **D6/566**

(58) **Field of Classification Search** ..... D6/512-514,  
D6/553, 566, 567, 569, 315, 320, 327; D8/349,  
D8/354, 367, 372; 248/301-304, 309.1,  
248/309.2; 211/13.1, 30, 32, 70.6, 56.01,  
211/87.01, 181.1; D25/38; D26/51

See application file for complete search history.

(56) **References Cited**

U.S. PATENT DOCUMENTS

D436,839	S	*	1/2001	Goodman et al.	.....	D8/372
D452,533	S	*	12/2001	Goodman et al.	.....	D6/566
D466,396	S	*	12/2002	Snell	.....	D8/372
D484,345	S	*	12/2003	Clucas	.....	D6/572
D535,405	S	*	1/2007	Stein et al.	.....	D25/38
D568,652	S	*	5/2008	Goodman et al.	.....	D6/514
D575,973	S	*	9/2008	Goodman et al.	.....	D6/572
D578,816	S	*	10/2008	Goodman et al.	.....	D6/566
D584,091	S	*	1/2009	Goodman et al.	.....	D6/566
D594,585	S	*	6/2009	Chef	.....	D26/51
D616,232	S	*	5/2010	Guindi	.....	D6/514
D628,842	S	*	12/2010	Guindi	.....	D6/566

\* cited by examiner

*Primary Examiner* — Brian N Vinson

(74) *Attorney, Agent, or Firm* — Pearne & Gordon LLP

(57) **CLAIM**

The ornamental design for a rack, as shown and described.

FIG. 1 is a top, front, and right side perspective view of a rack showing a first embodiment of our new design which is embodied in a wall-mount hook rack;  
 FIG. 2 is a top plan view thereof;  
 FIG. 3 is a front elevational view thereof;  
 FIG. 4 is a bottom plan view thereof;  
 FIG. 5 is a right side elevational view thereof, the left side elevational view being a mirror image of that shown;  
 FIG. 6 is a rear elevational view thereof;  
 FIG. 7 is a top, front, and right side perspective view of a rack showing a second embodiment of our new design which is embodied in an over-the-drawer hook rack;  
 FIG. 8 is a top, front, and right side perspective view of a rack showing a third embodiment of our new design which is embodied in a wall-mount hook rack;  
 FIG. 9 is a top plan view thereof;  
 FIG. 10 is a front elevational view thereof;  
 FIG. 11 is a bottom plan view thereof;  
 FIG. 12 is a right side elevational view thereof, the left side elevational view being a mirror image of that shown;  
 FIG. 13 is a rear elevational view thereof;  
 FIG. 14 is a top, front, and right side perspective view of a rack showing a fourth embodiment of our new design which is embodied in an over-the-drawer hook rack;  
 FIG. 15 is a top, front, and right side perspective view of a rack showing a fifth embodiment of our new design which is embodied in an over-the-drawer hook rack;  
 FIG. 16 is a top plan view thereof;  
 FIG. 17 is a front elevational view thereof;  
 FIG. 18 is a bottom plan view thereof;  
 FIG. 19 is a right side elevational view thereof, the left side elevational view being a mirror image of that shown;  
 FIG. 20 is a rear elevational view thereof;  
 FIG. 21 is a top, front, and right side perspective view of a rack showing a sixth embodiment of our new design which is embodied in an over-the-drawer hook rack;  
 FIG. 22 is a top, front, and right side perspective view of a rack showing a seventh embodiment of our new design which is embodied in an over-the-drawer towel bar;  
 FIG. 23 is a top plan view thereof;  
 FIG. 24 is a front elevational view thereof;  
 FIG. 25 is a bottom plan view thereof;

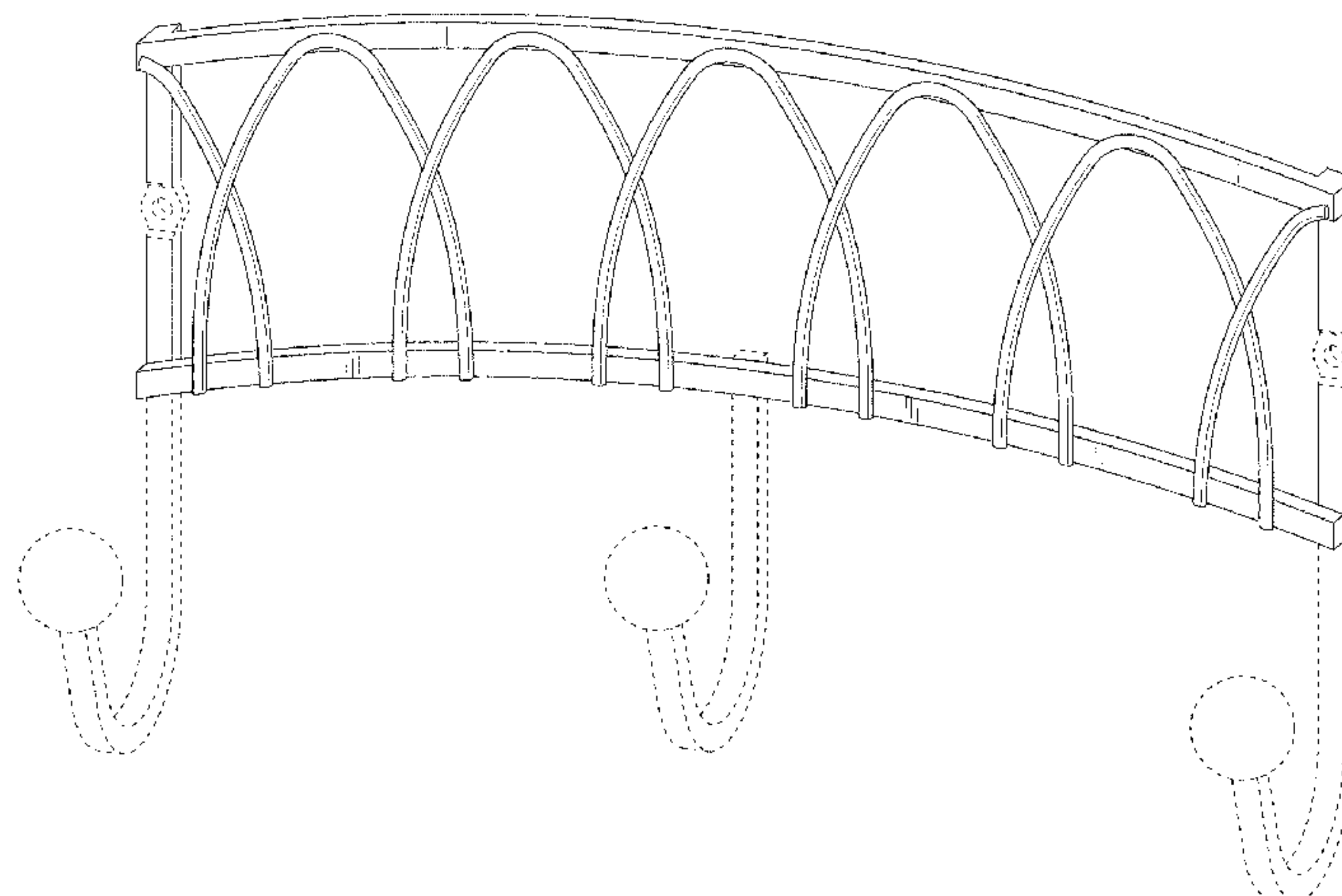


FIG. 26 is a right side elevational view thereof, the left side elevational view being a mirror image of that shown;  
FIG. 27 is a rear elevational view thereof;  
FIG. 28 is a top, front, and right side perspective view of a rack showing an eighth embodiment of our new design which is embodied in a wall-mount towel bar;  
FIG. 29 is a top, front, and right side perspective view of a rack showing a ninth embodiment of our new design which is embodied in an over-the-drawer paper towel holder;  
FIG. 30 is a top plan view thereof;  
FIG. 31 is a left side elevational view thereof;  
FIG. 32 is a right side elevational view thereof;  
FIG. 33 is a top, front, and right side perspective view of a rack showing a tenth embodiment of our new design which is embodied in a wall-mount paper towel holder;

FIG. 34 is a top, front, and right side perspective view of a rack showing an eleventh embodiment of our new design which is embodied in an over-the-drawer toilet tissue or towel holder;  
FIG. 35 is a top plan view thereof;  
FIG. 36 is a left side elevational view thereof;  
FIG. 37 is a right side elevational view thereof; and,  
FIG. 38 is a top, front, and right side perspective view of a rack showing a twelfth embodiment of our new design which is embodied in a wall-mount toilet tissue or towel holder.  
The broken-line disclosure in the views is understood to represent portions of the article in which the claimed design is embodied, but which forms no part of the claimed design.

**1 Claim, 22 Drawing Sheets**

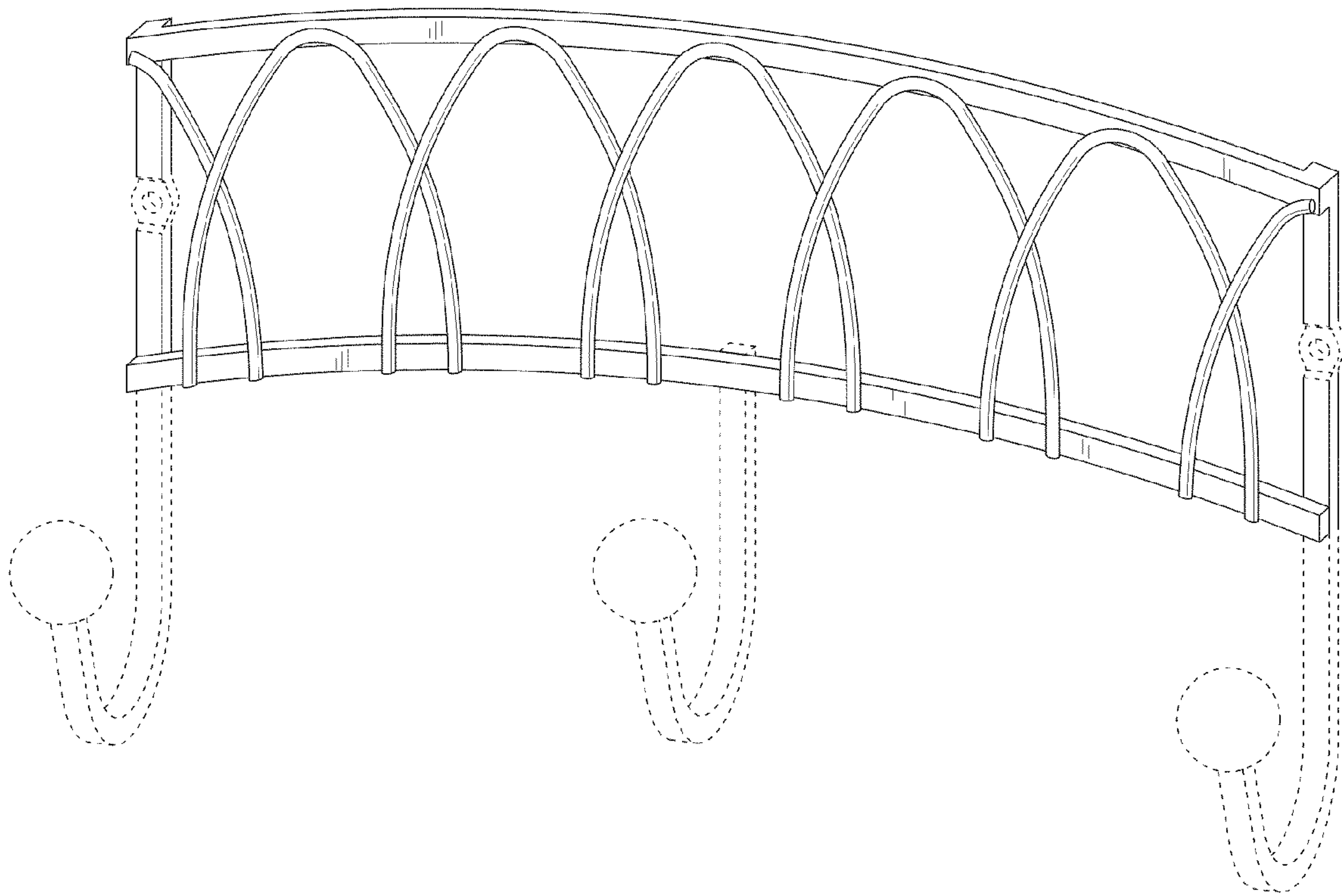
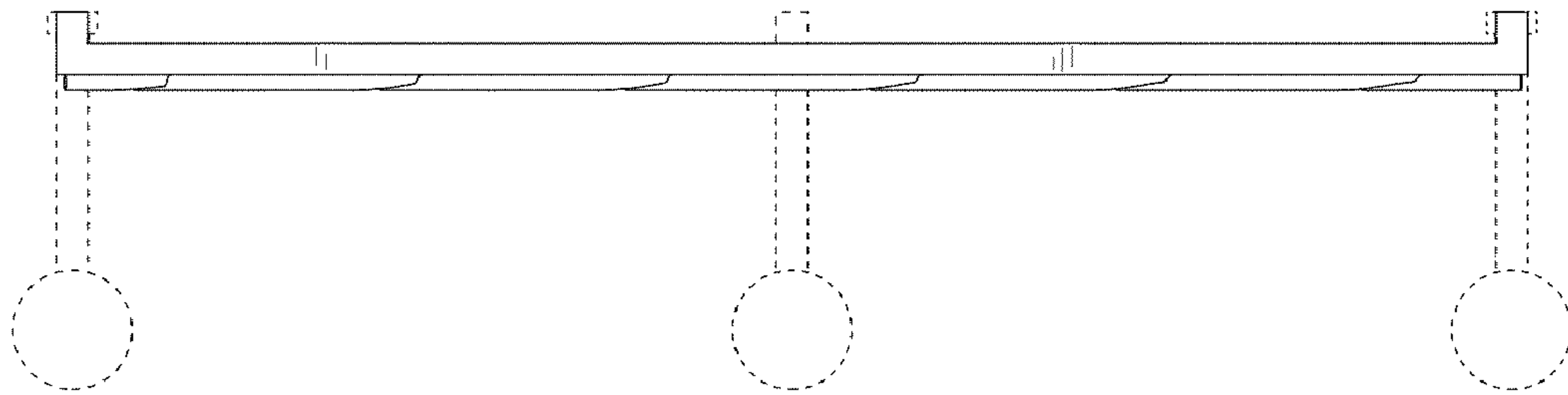
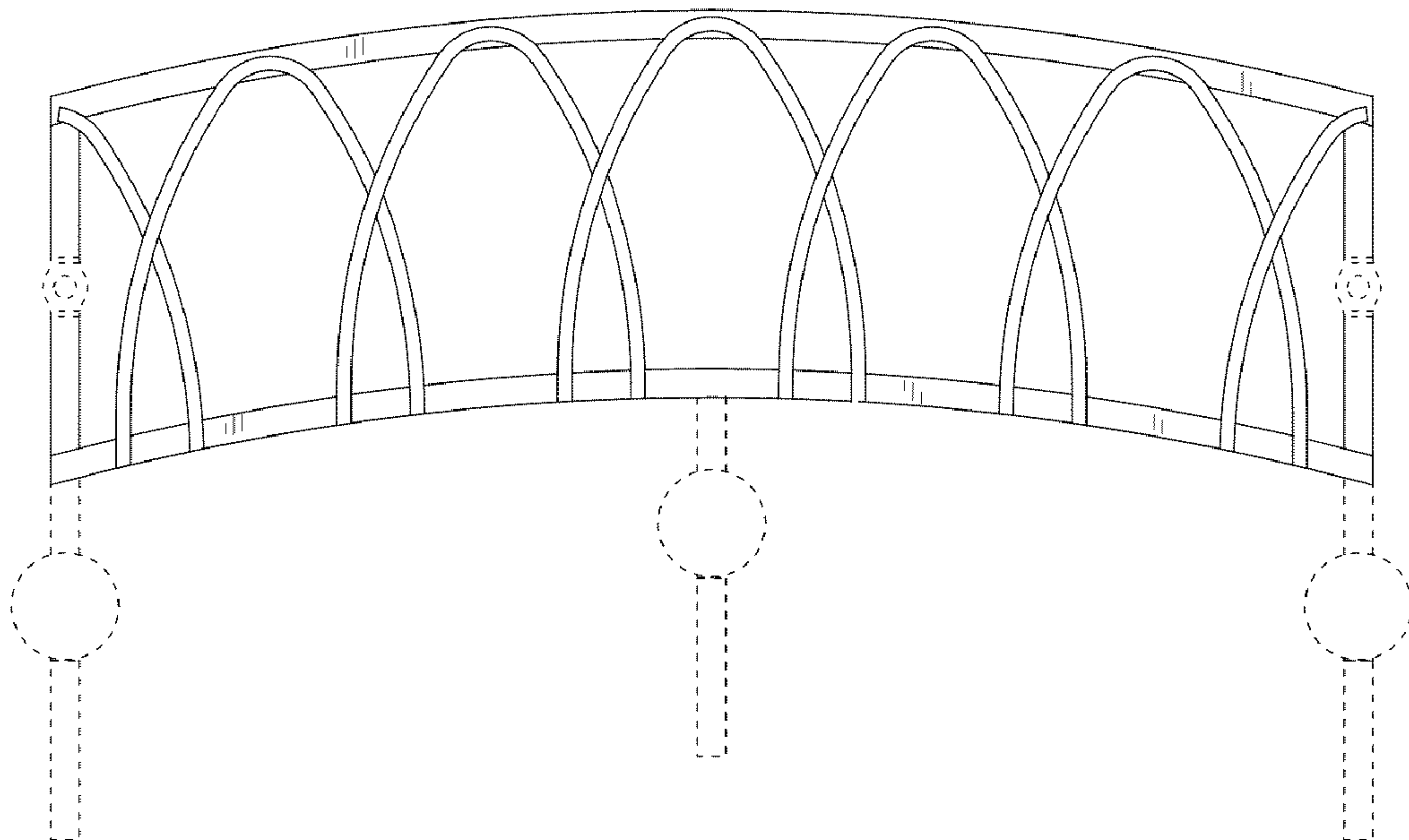


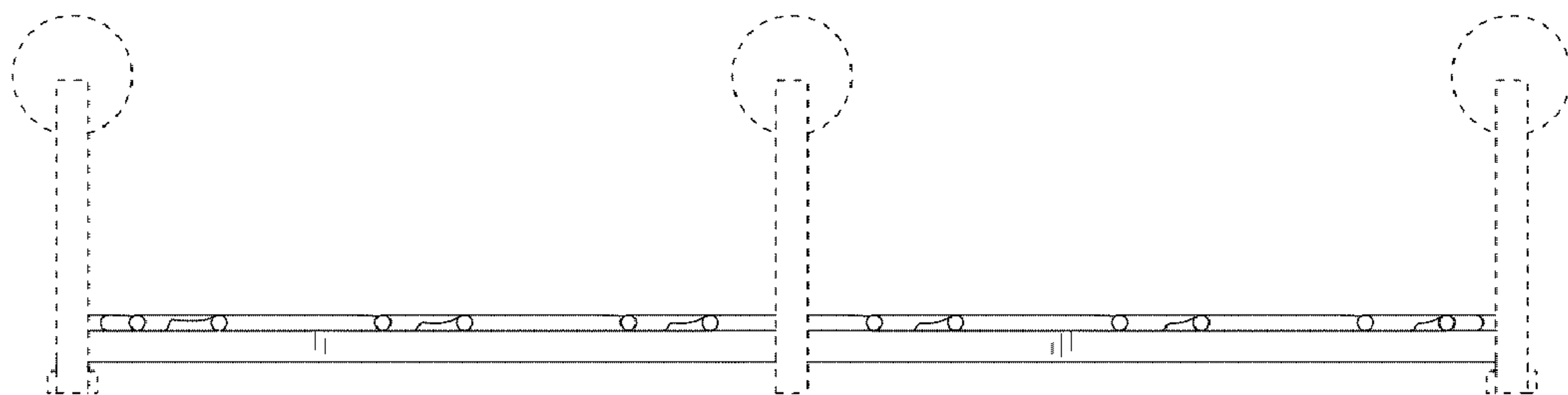
FIG. 1



**FIG. 2**

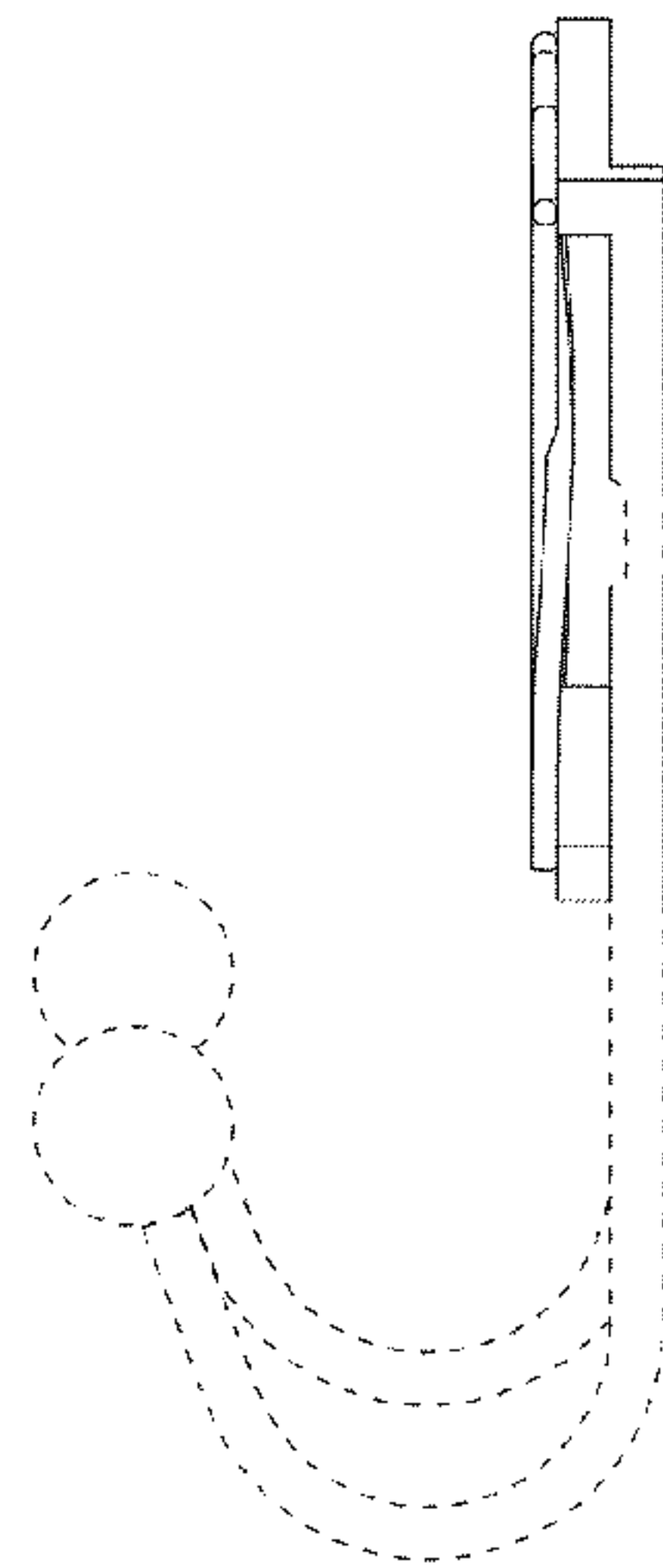


**FIG. 3**

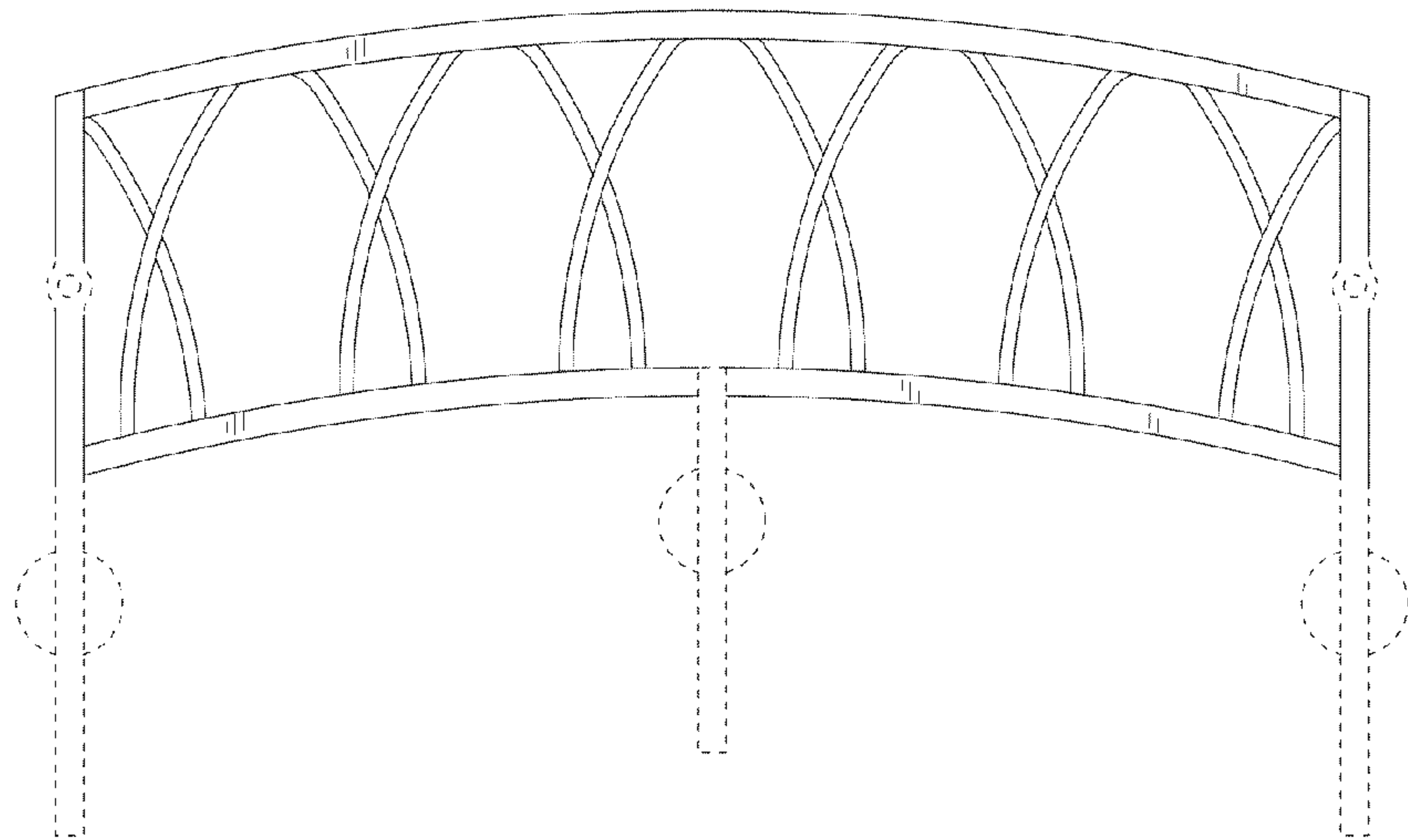


**FIG. 4**

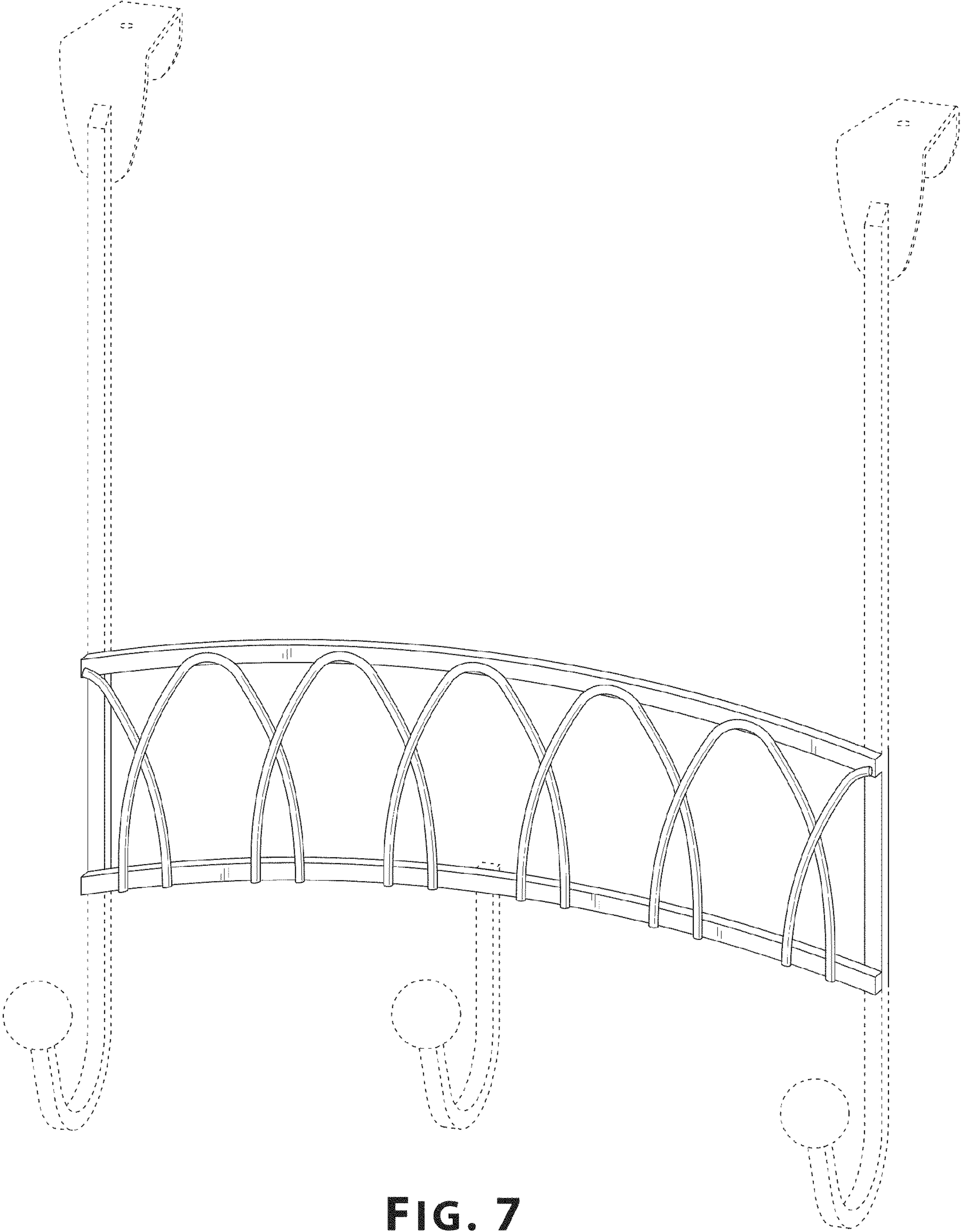




**FIG. 5**



**FIG. 6**



**FIG. 7**

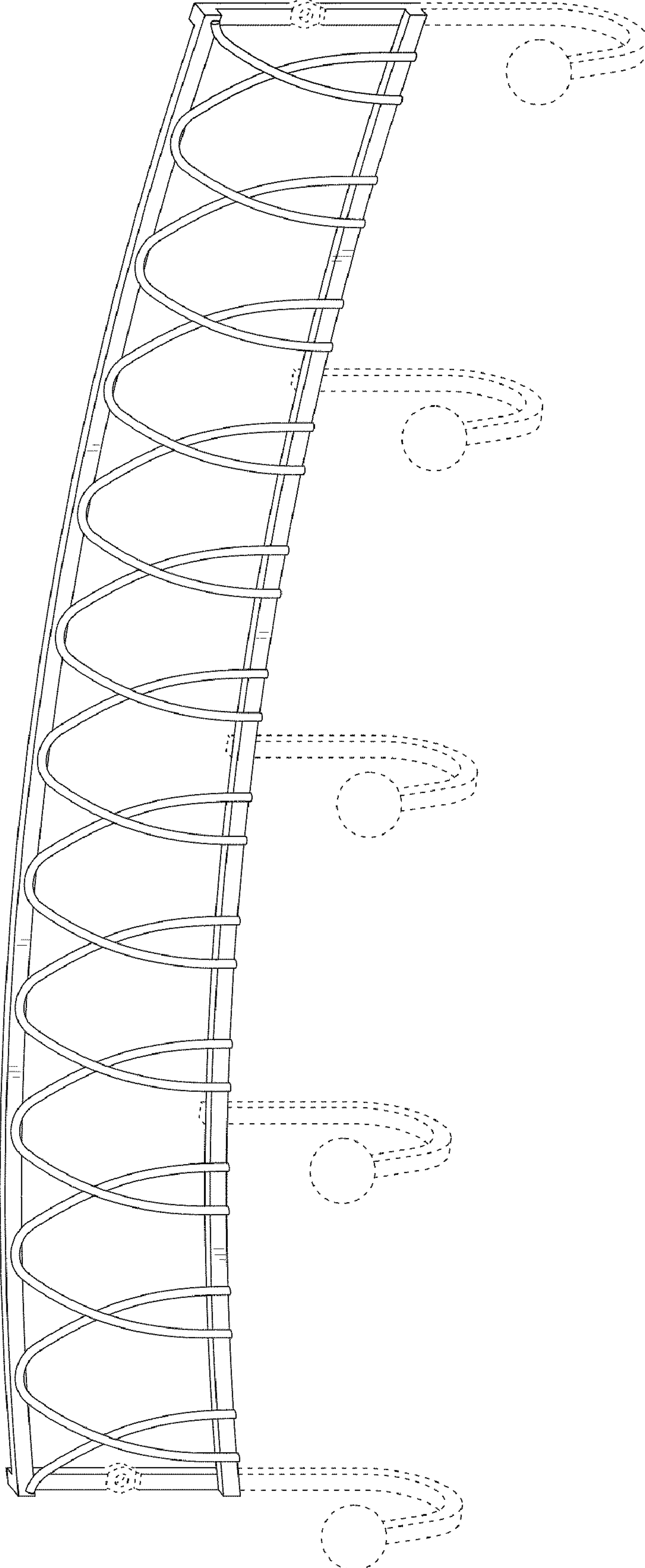
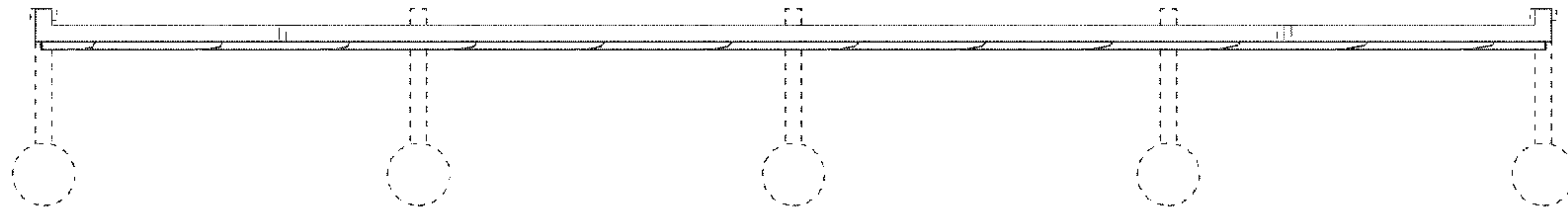
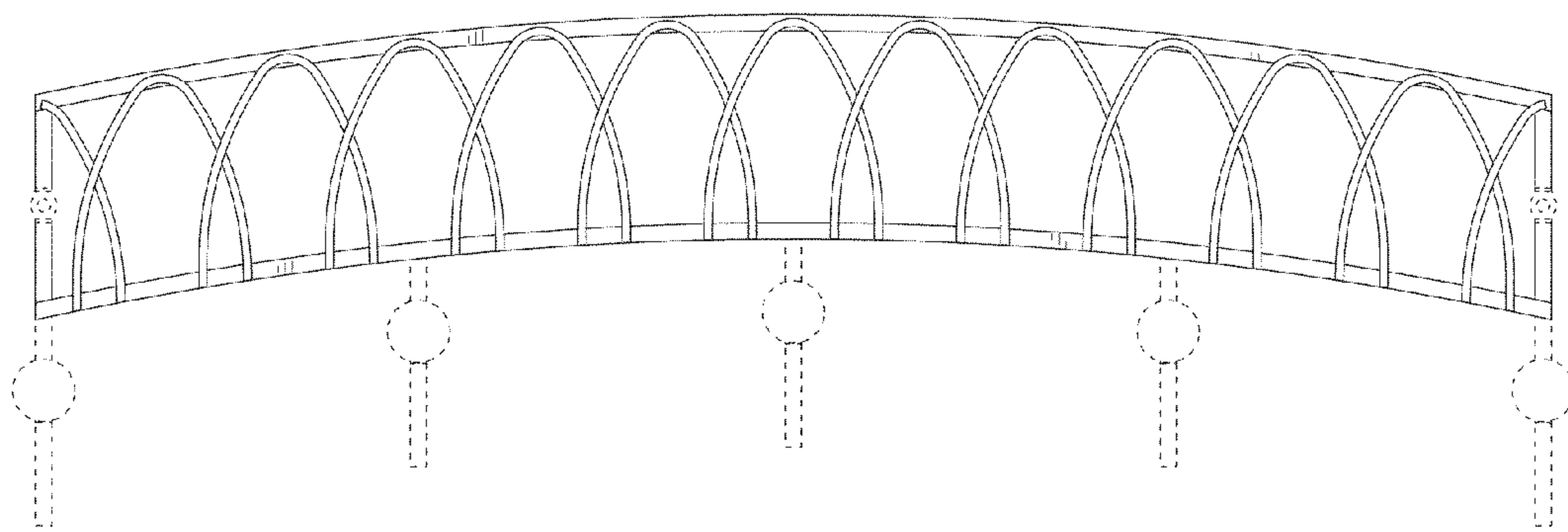


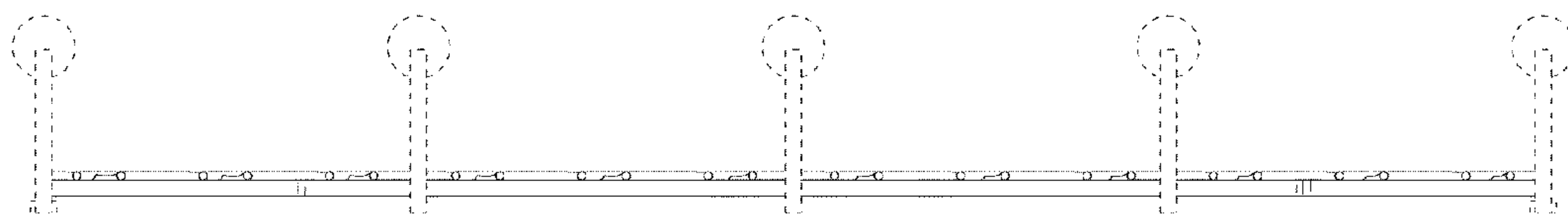
FIG. 8



**FIG. 9**

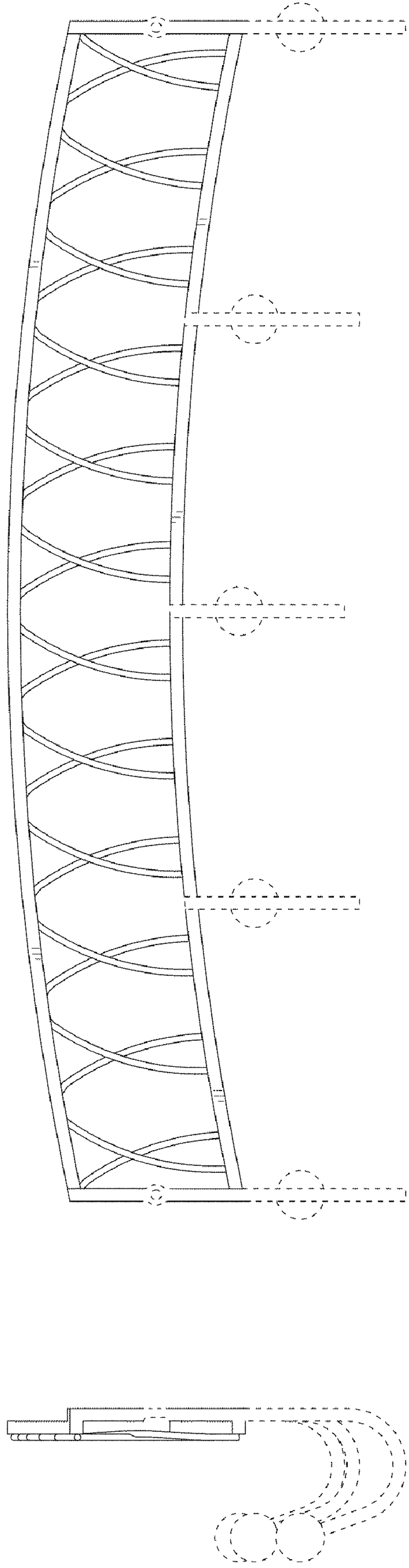


**FIG. 10**



**FIG. 11**





**FIG. 12**

**FIG. 13**

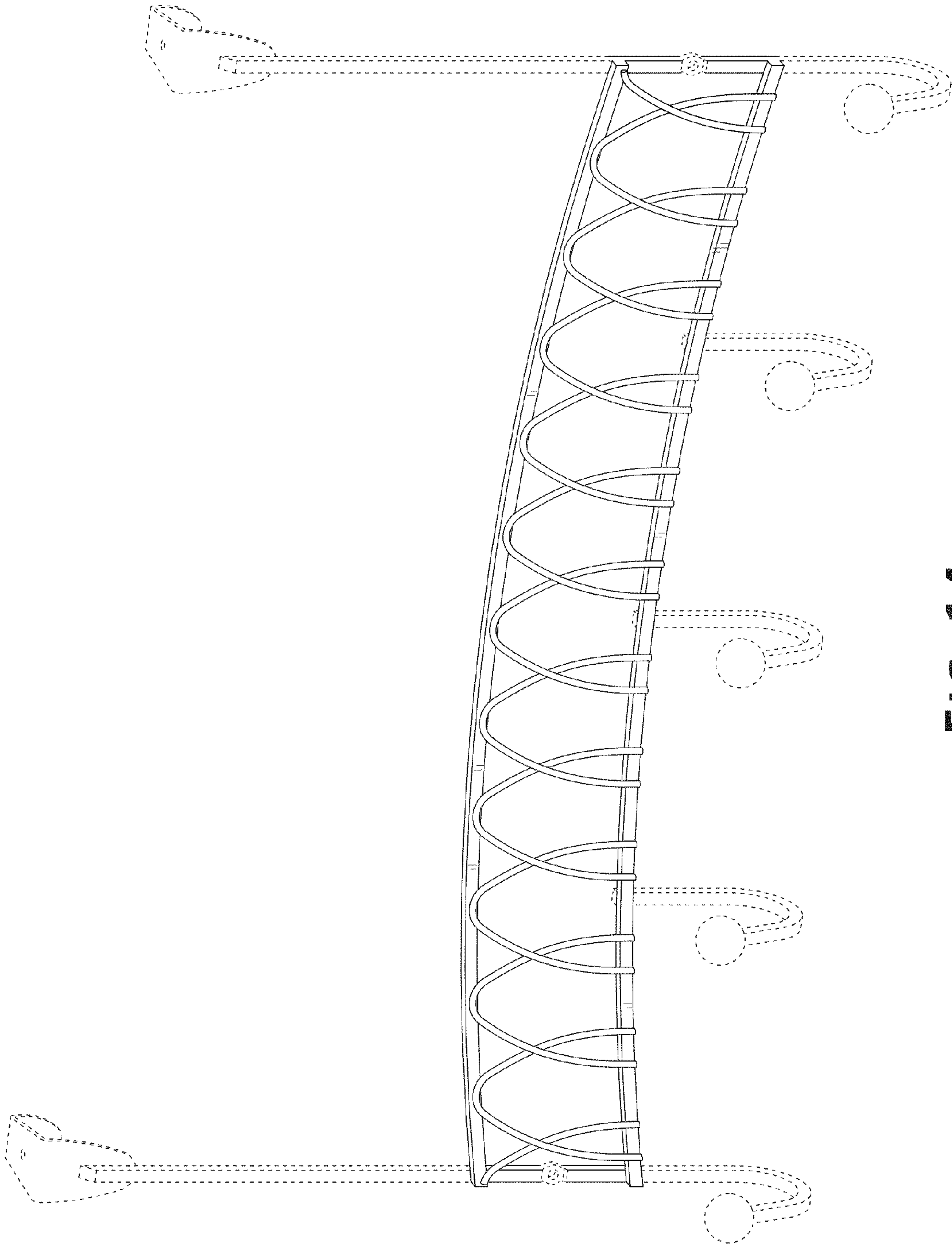
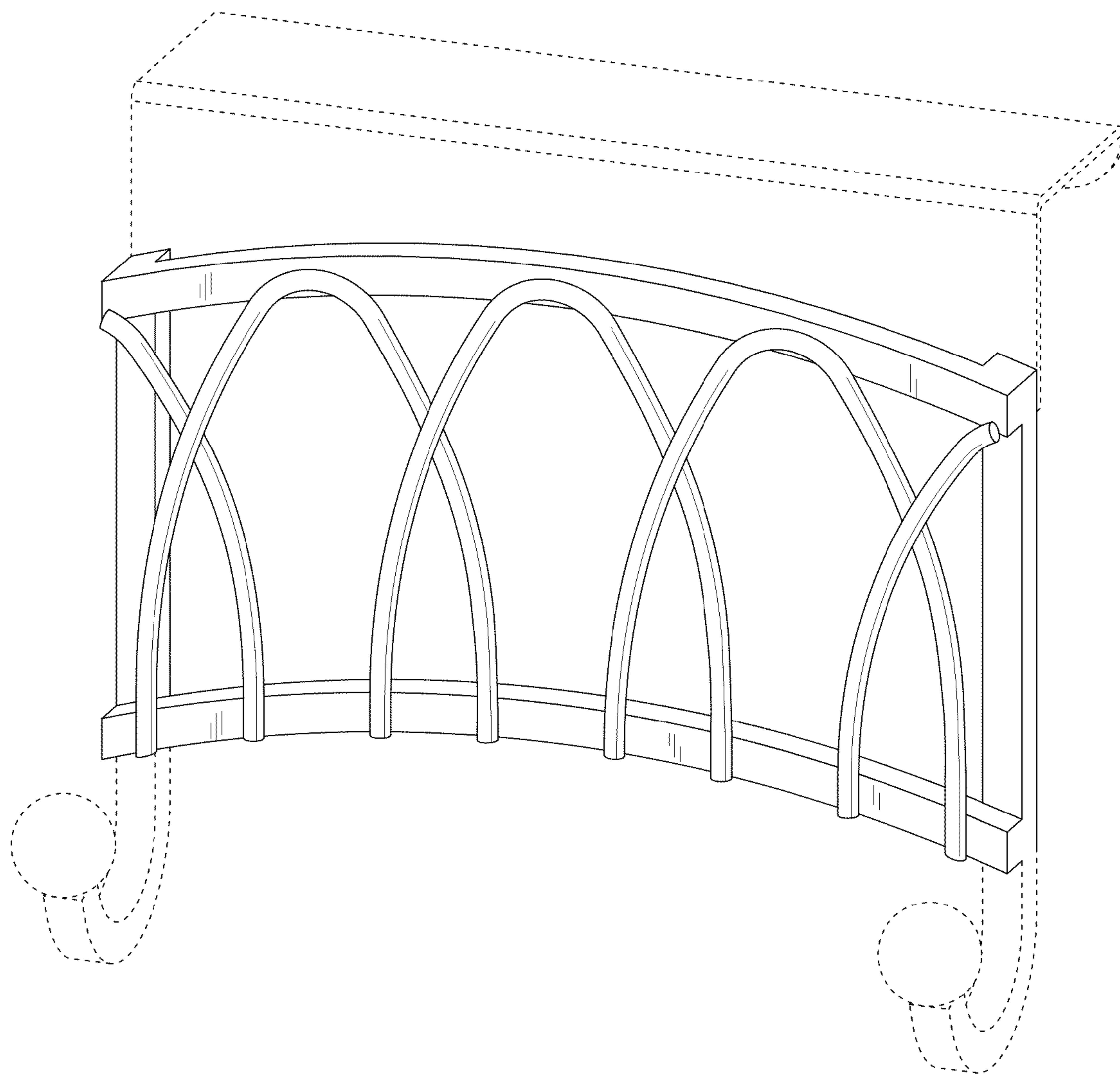
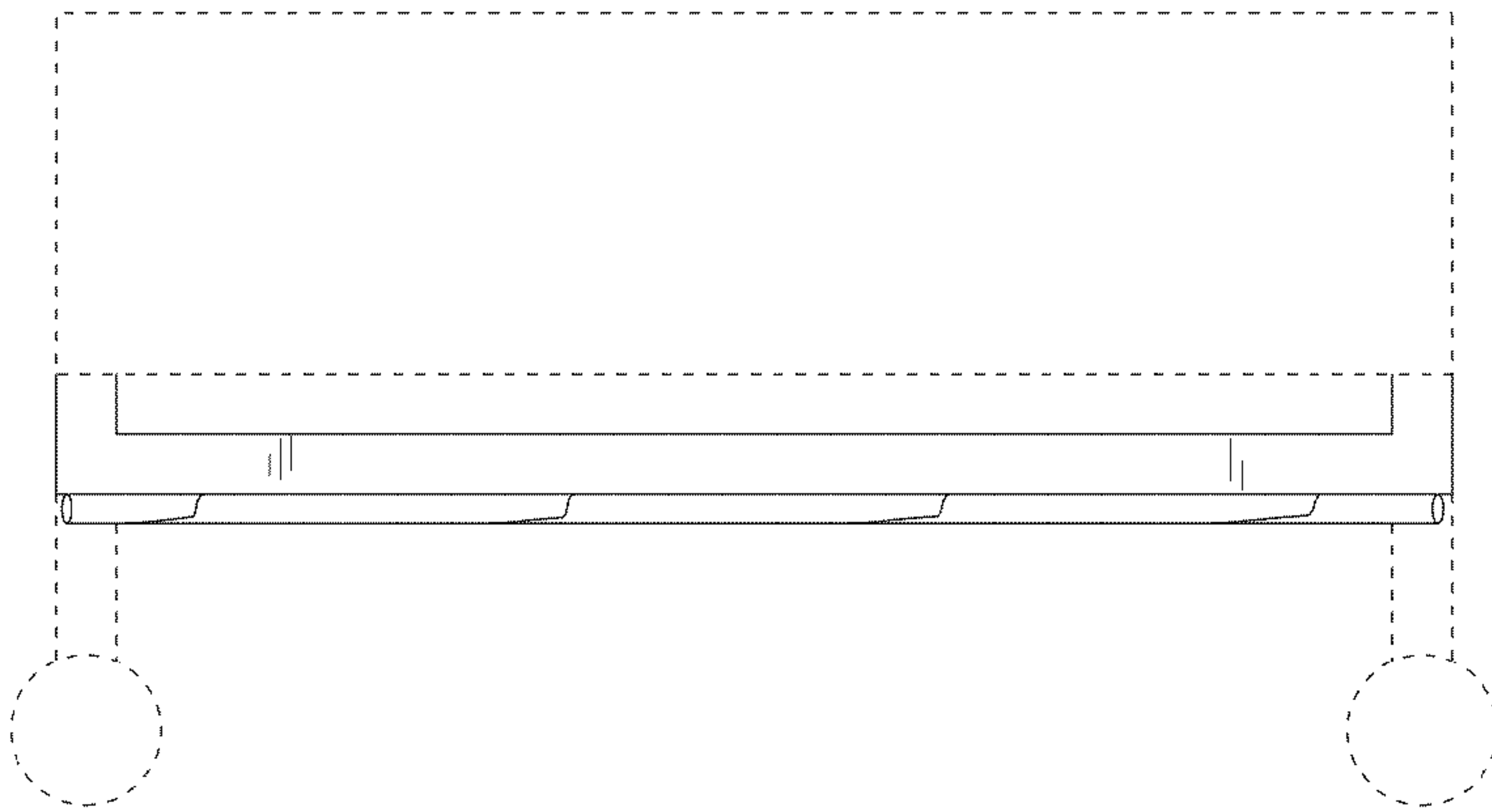


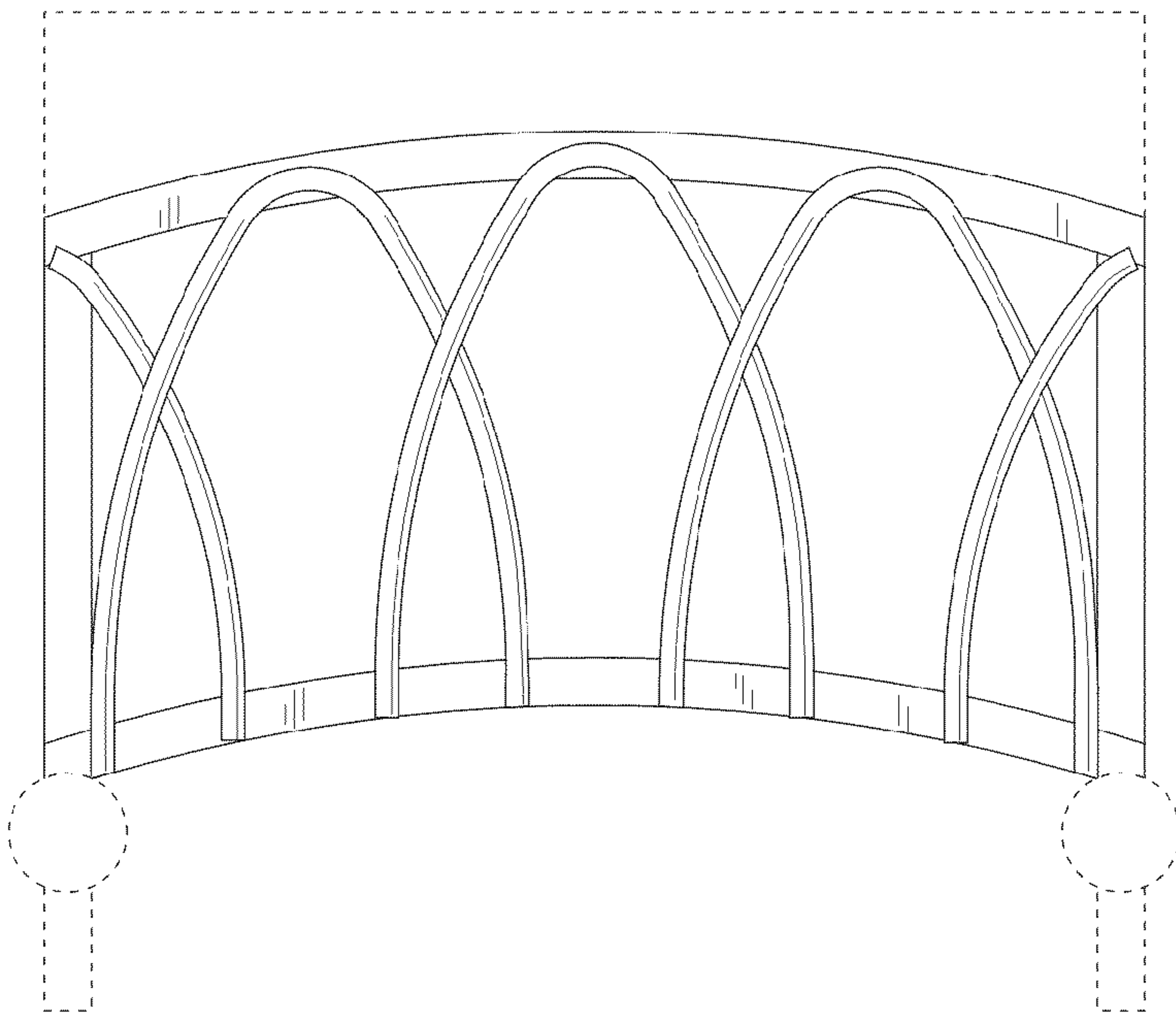
FIG. 14



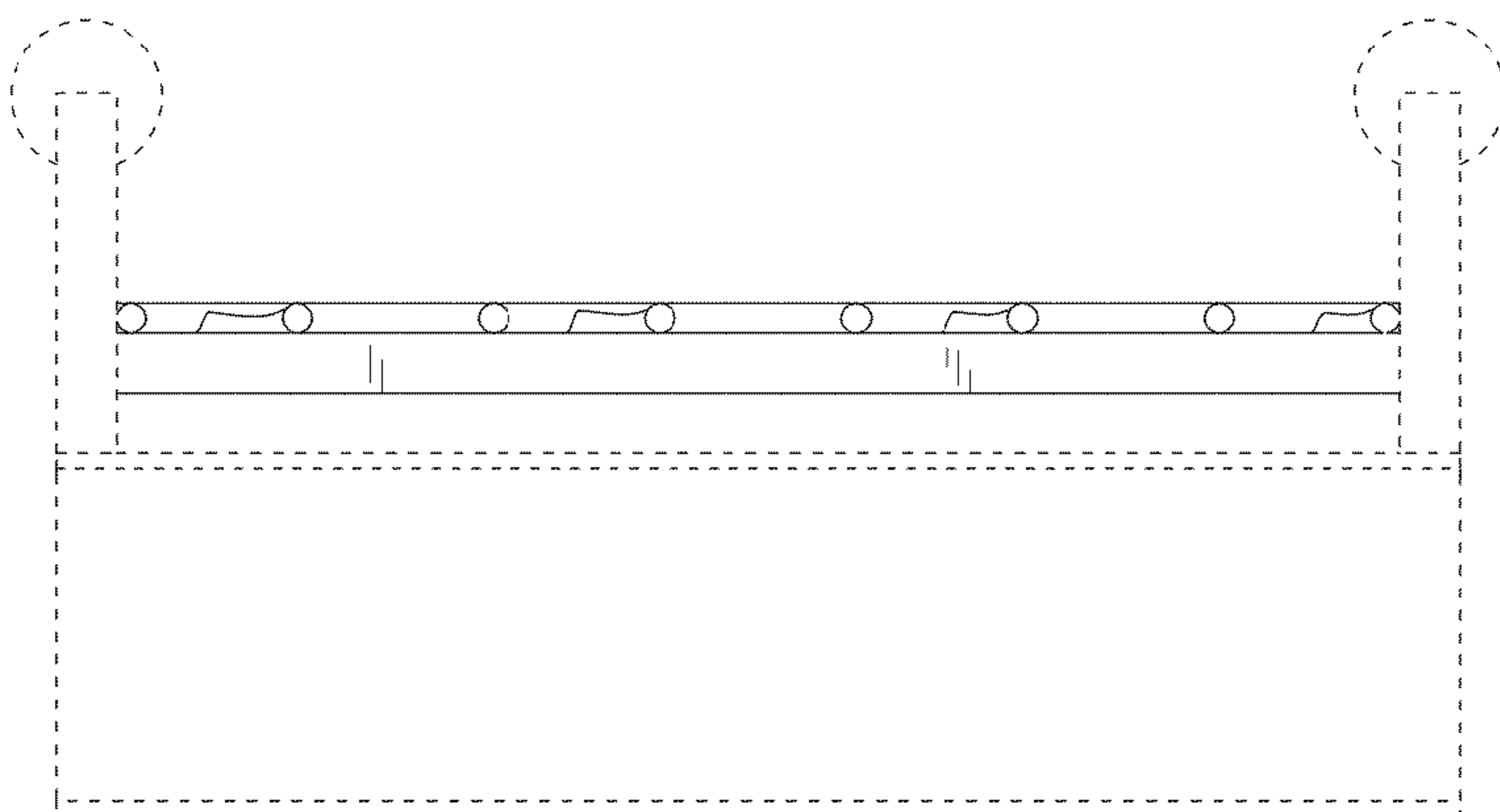
**FIG. 15**



**FIG. 16**

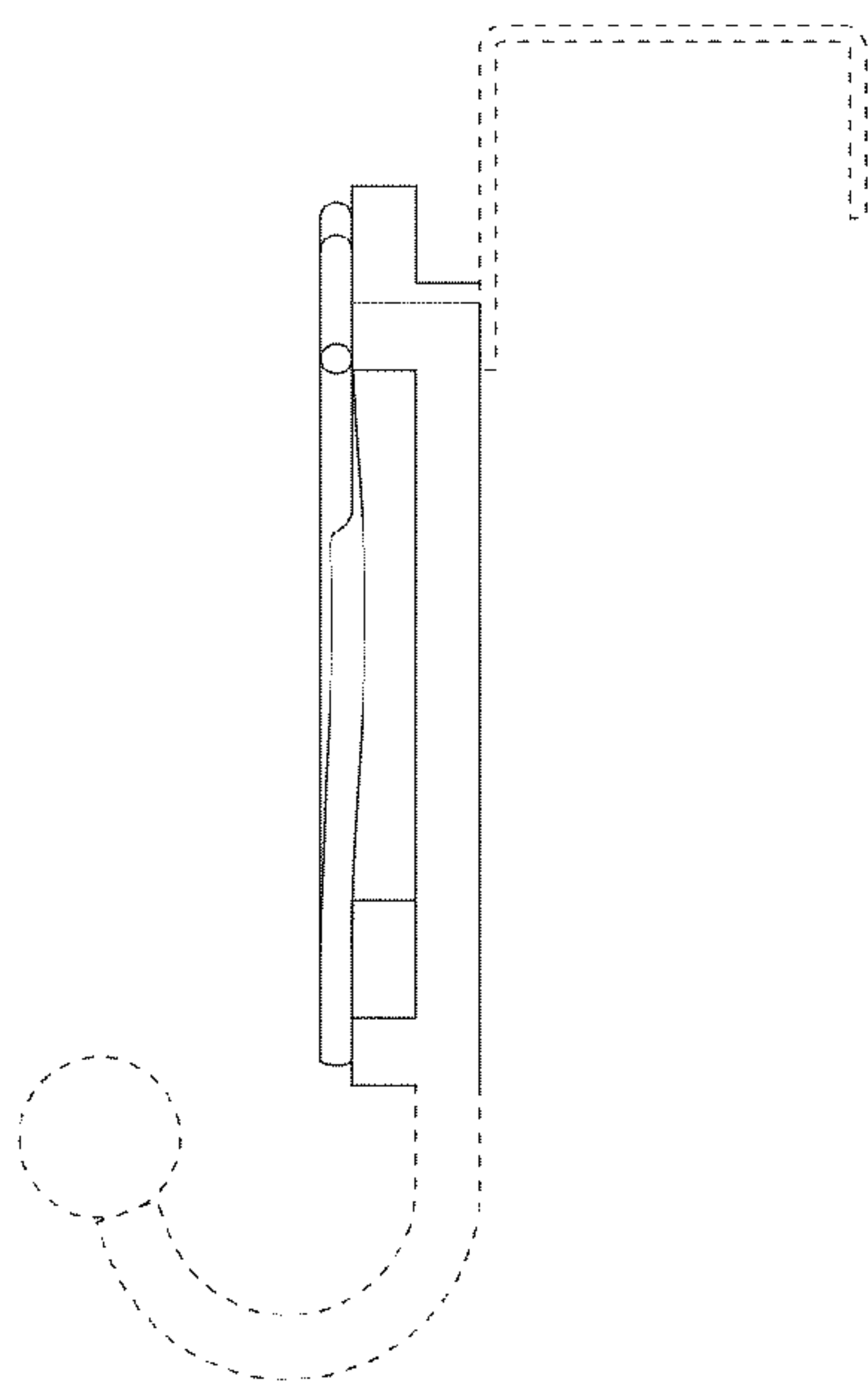


**FIG. 17**

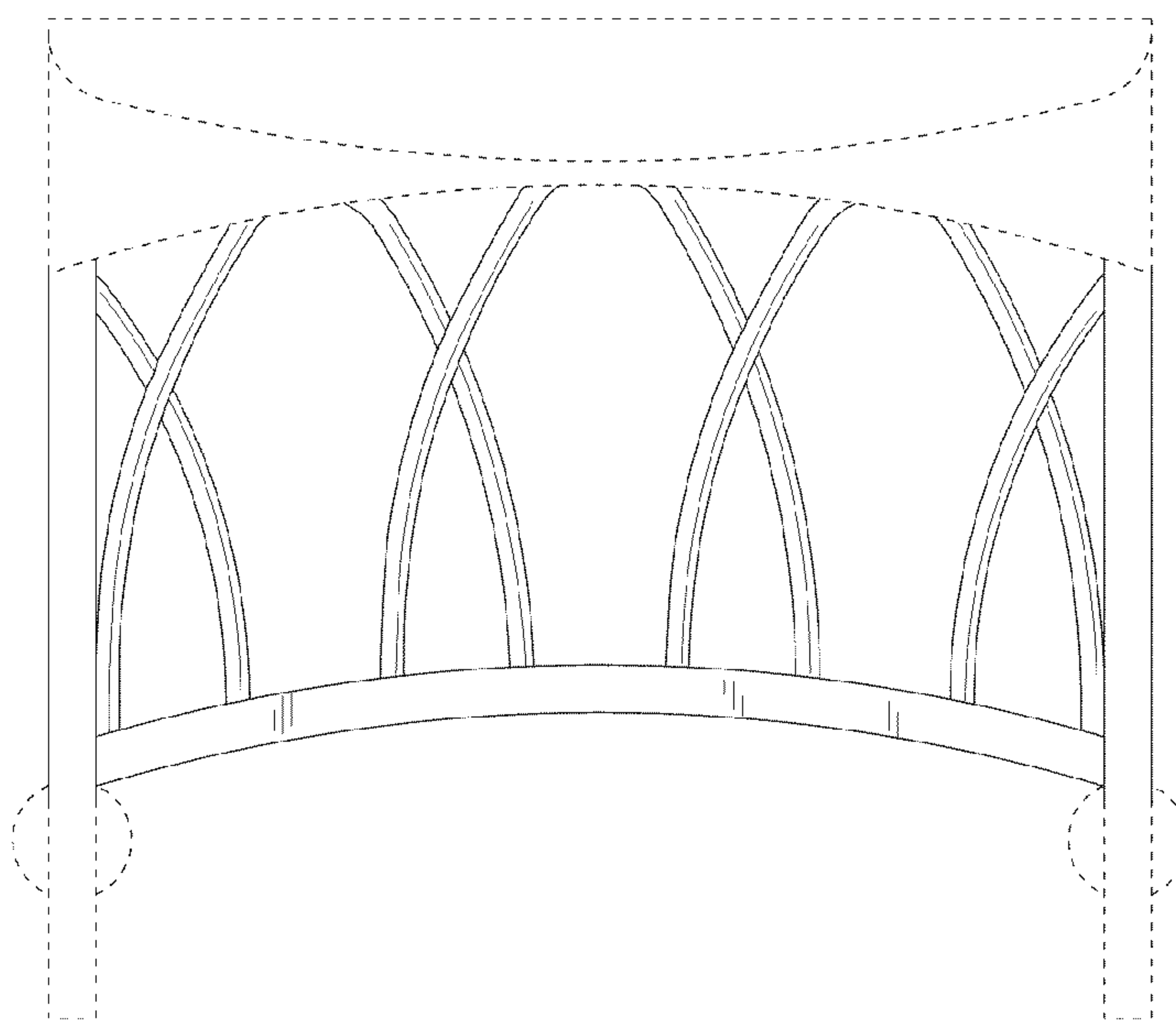


**FIG. 18**

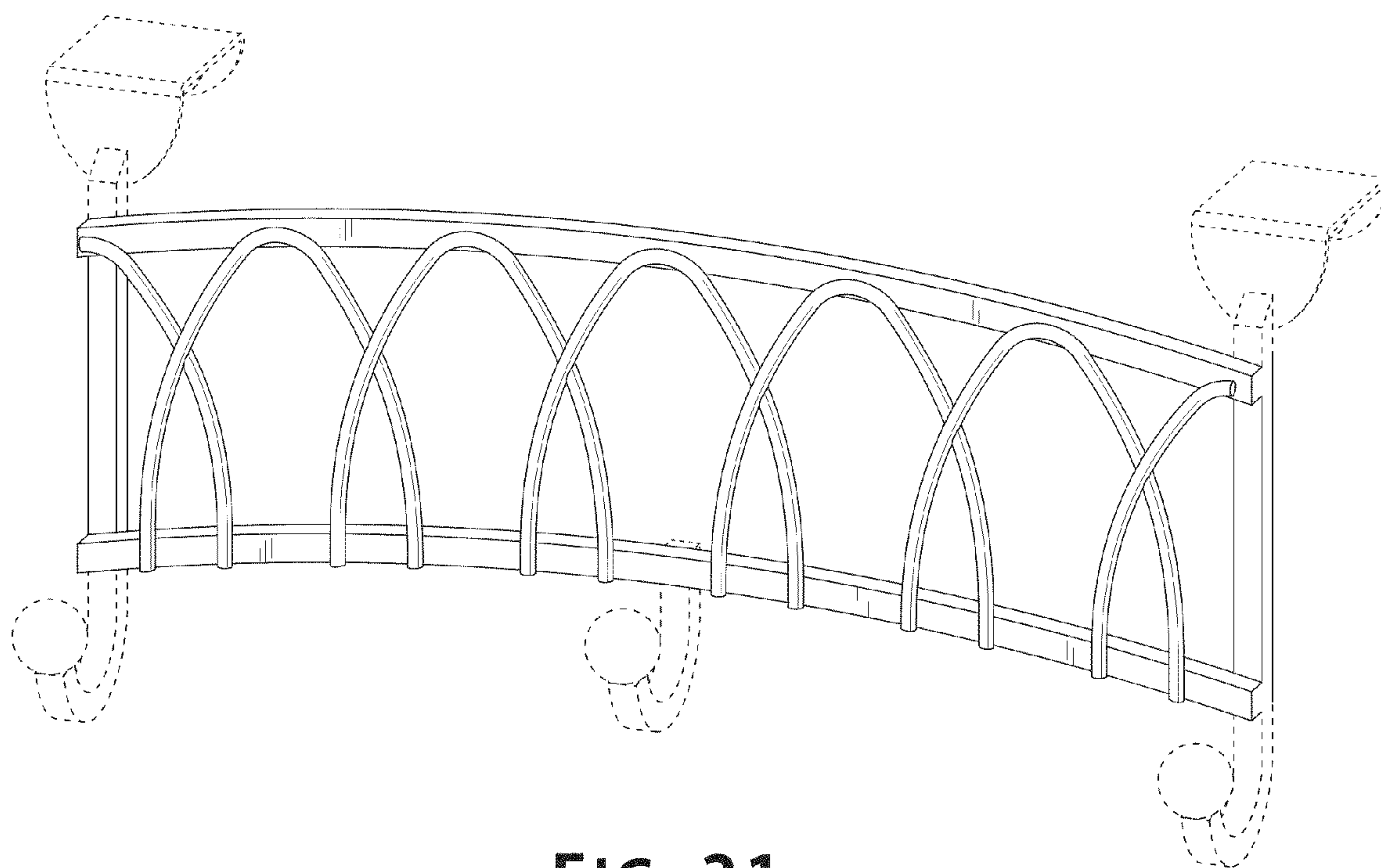




**FIG. 19**



**FIG. 20**



**FIG. 21**

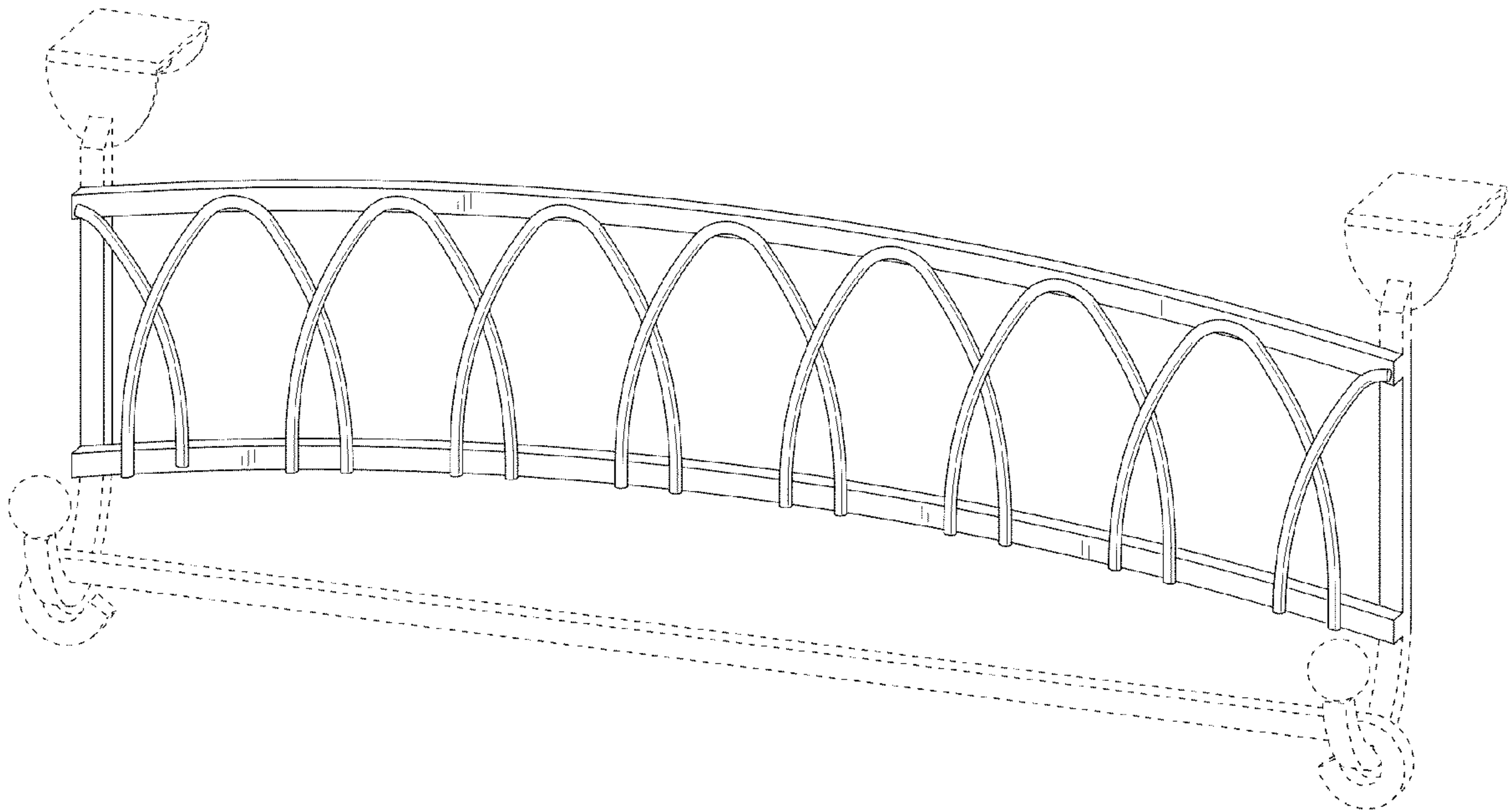
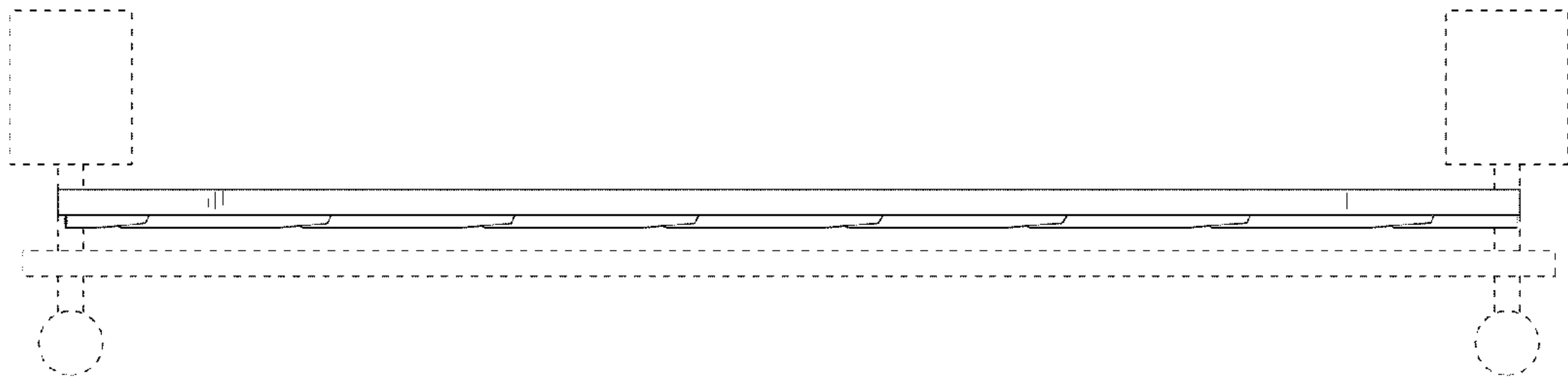
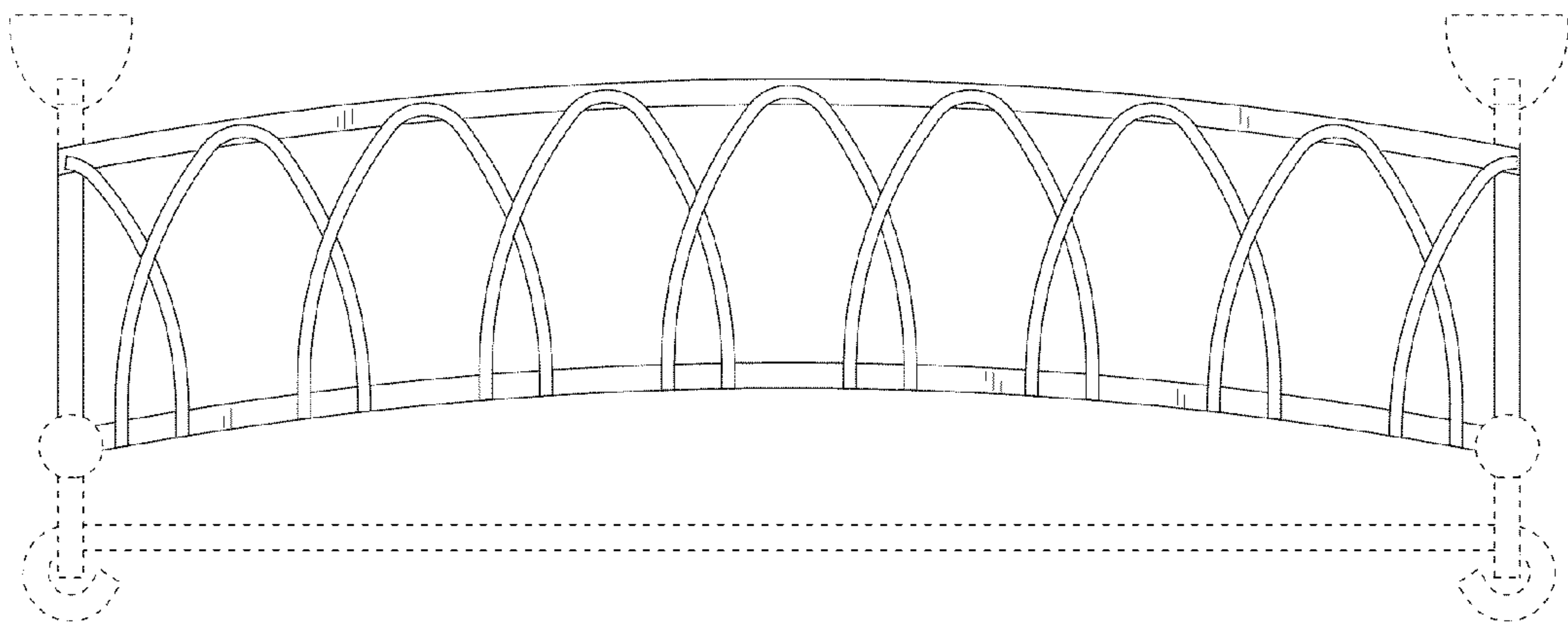


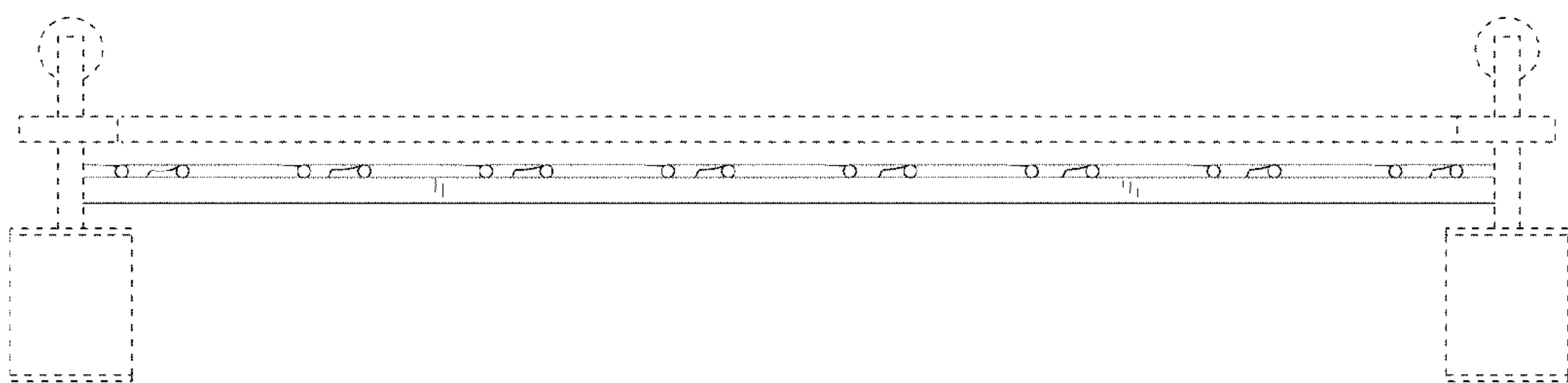
FIG. 22



**FIG. 23**



**FIG. 24**



**FIG. 25**



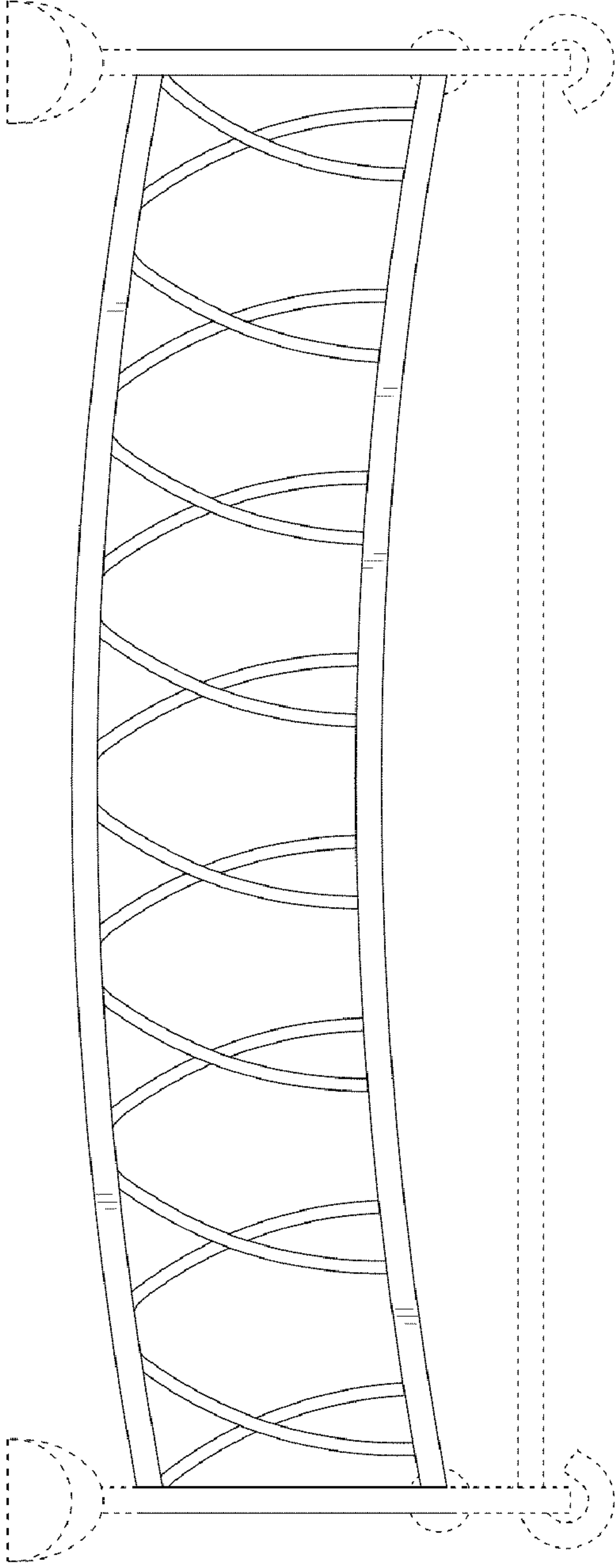


FIG. 27

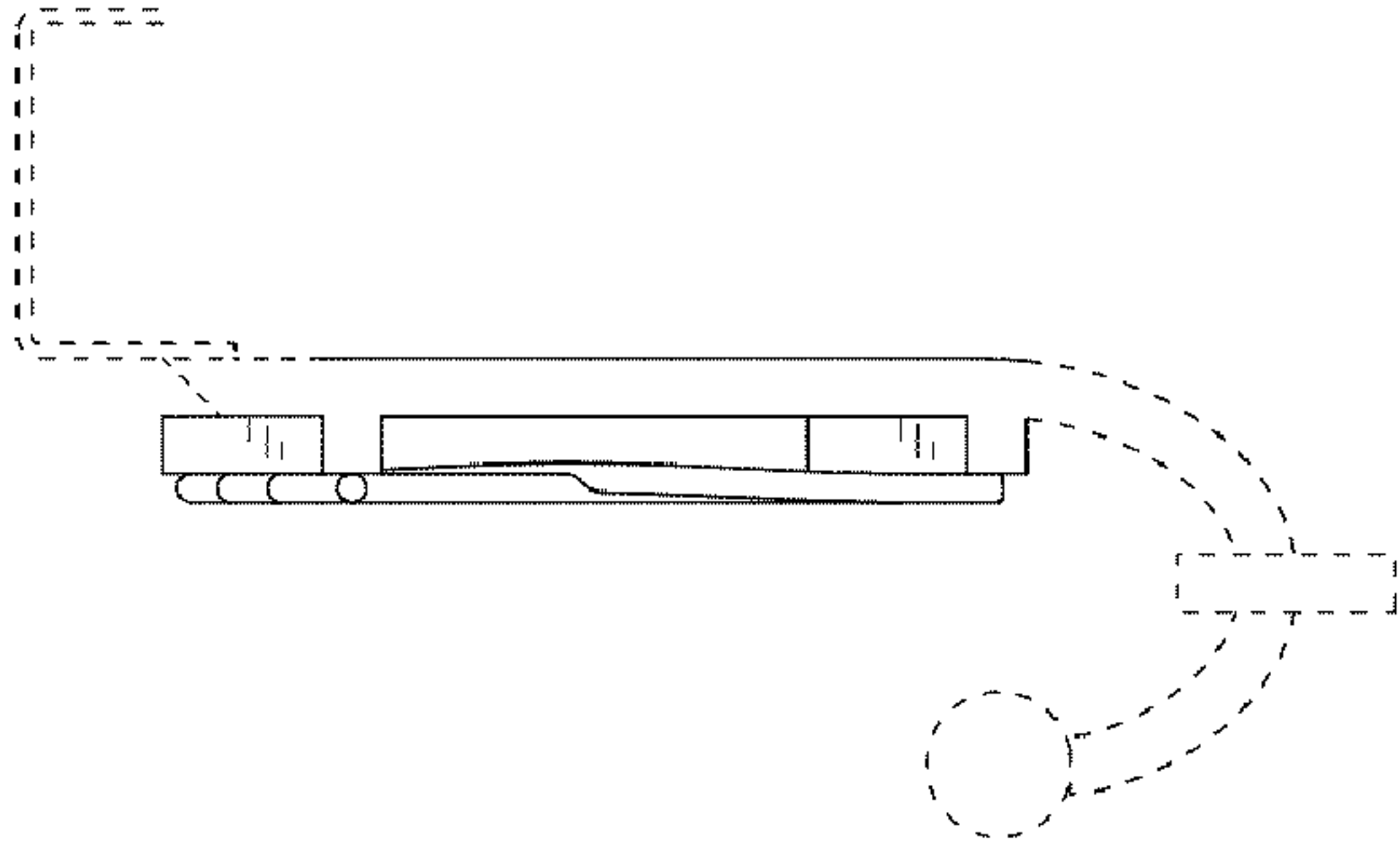
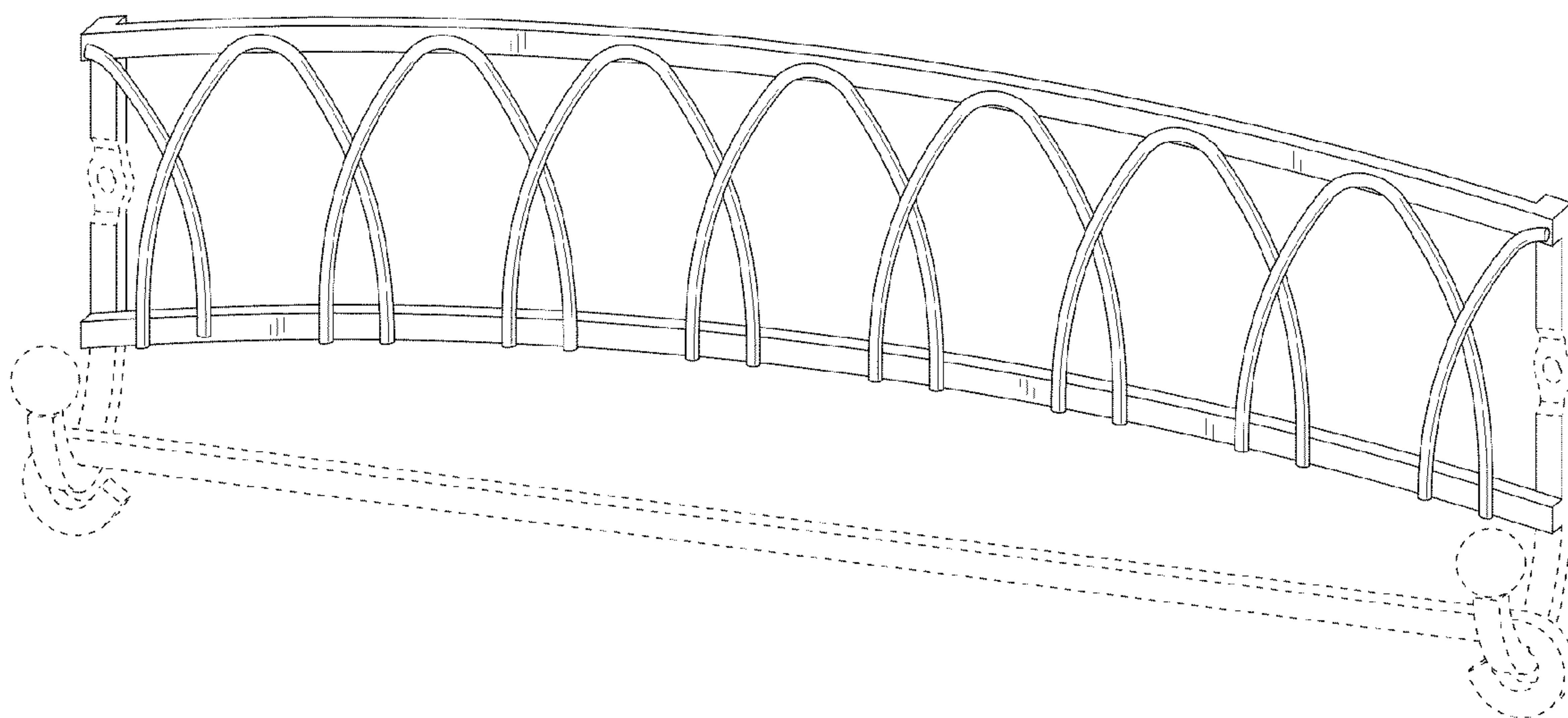


FIG. 26



**FIG. 28**

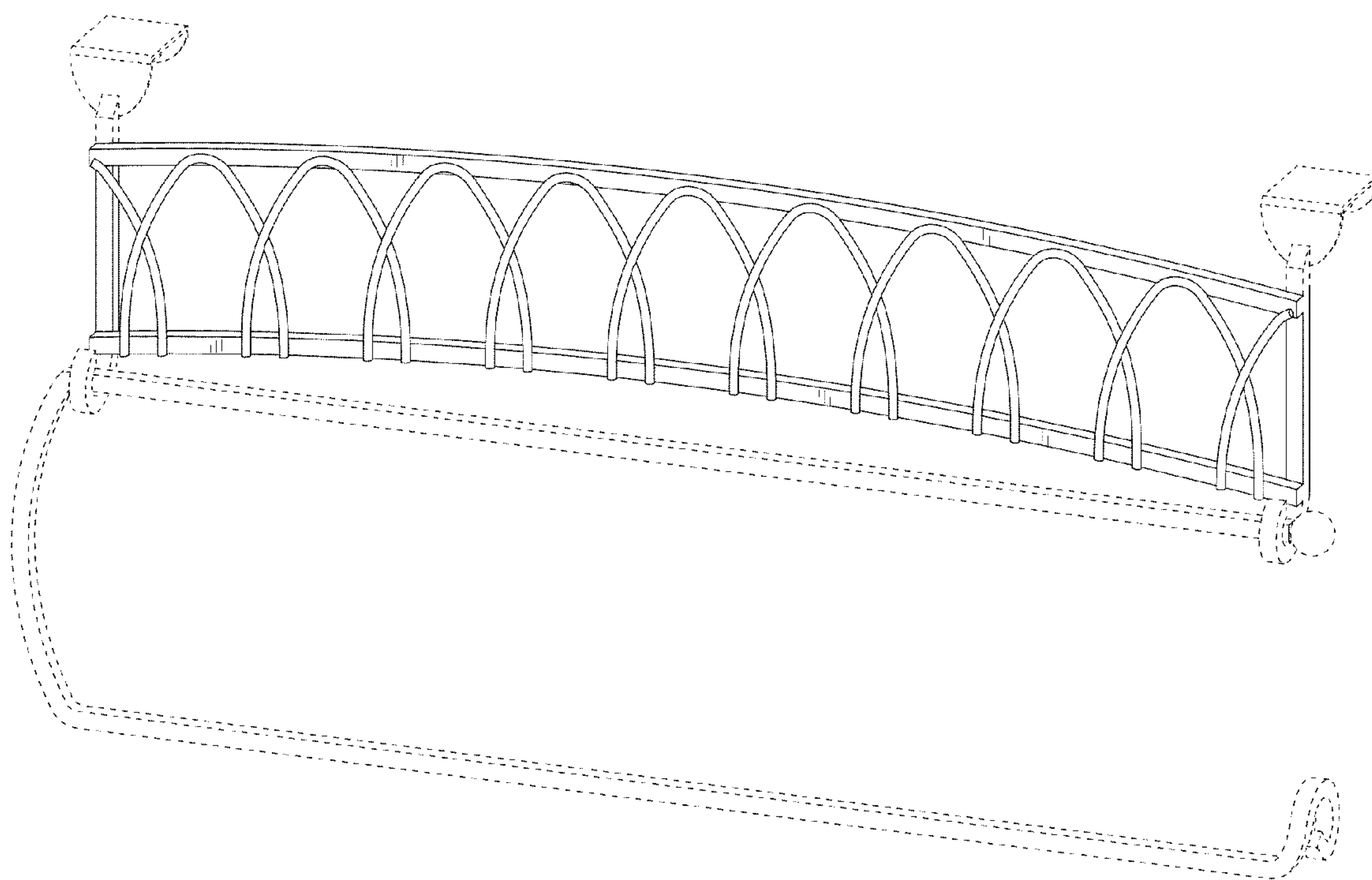
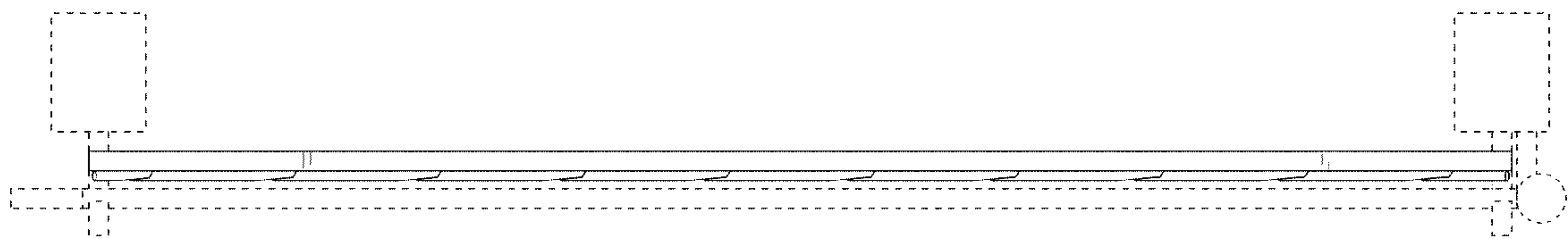
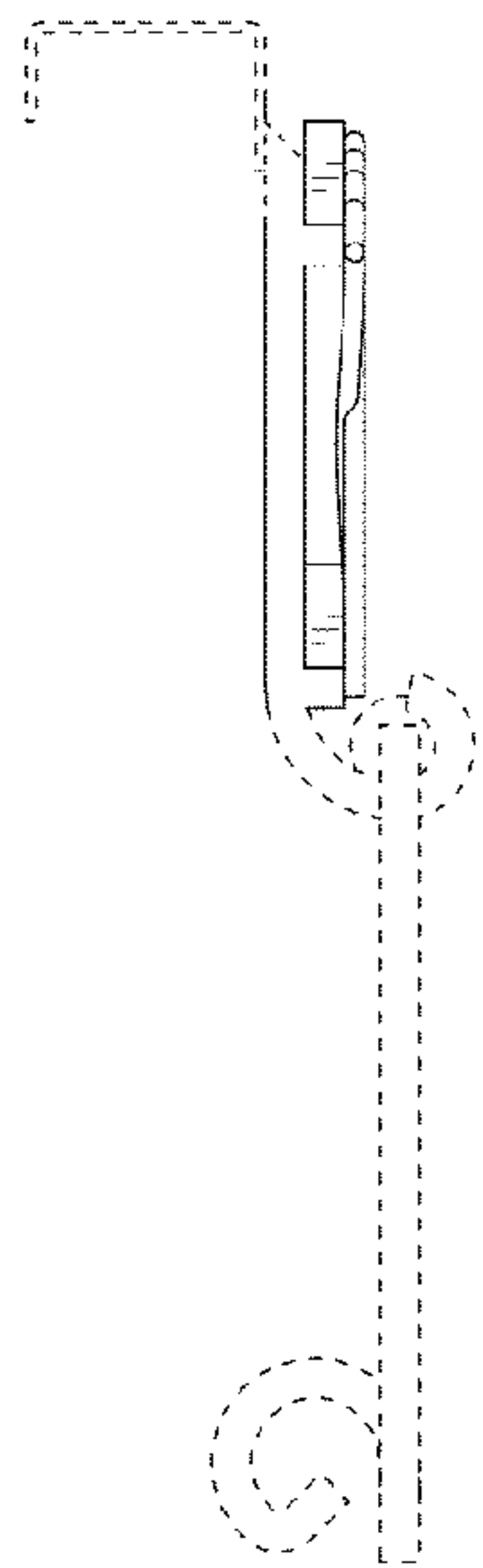


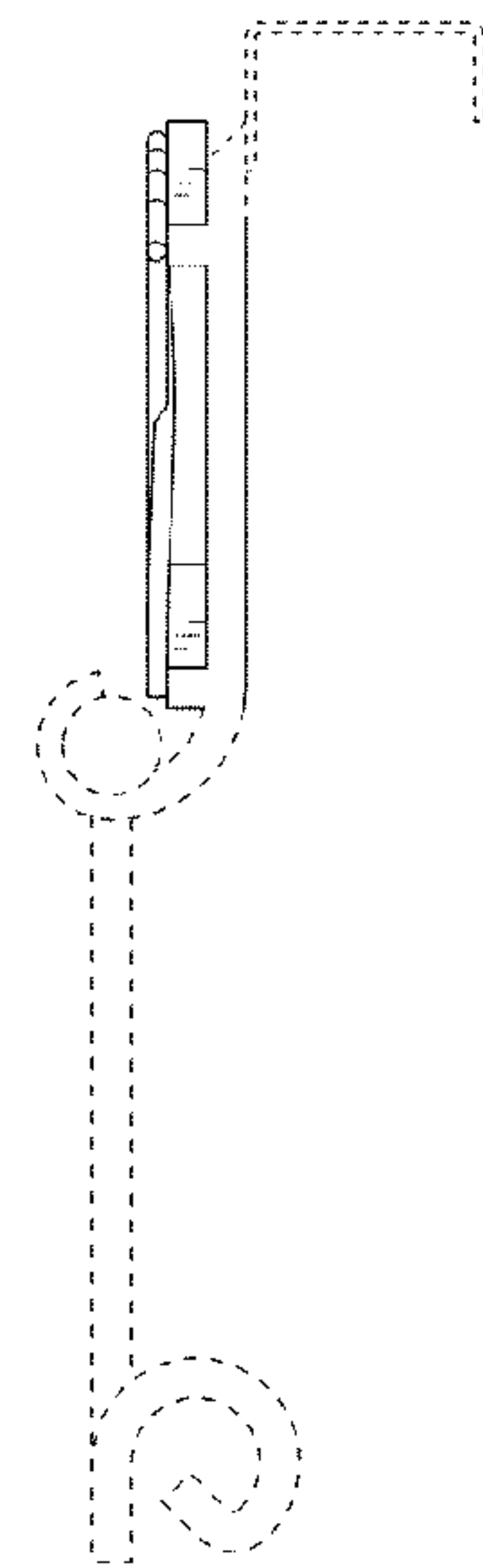
FIG. 29



**FIG. 30**

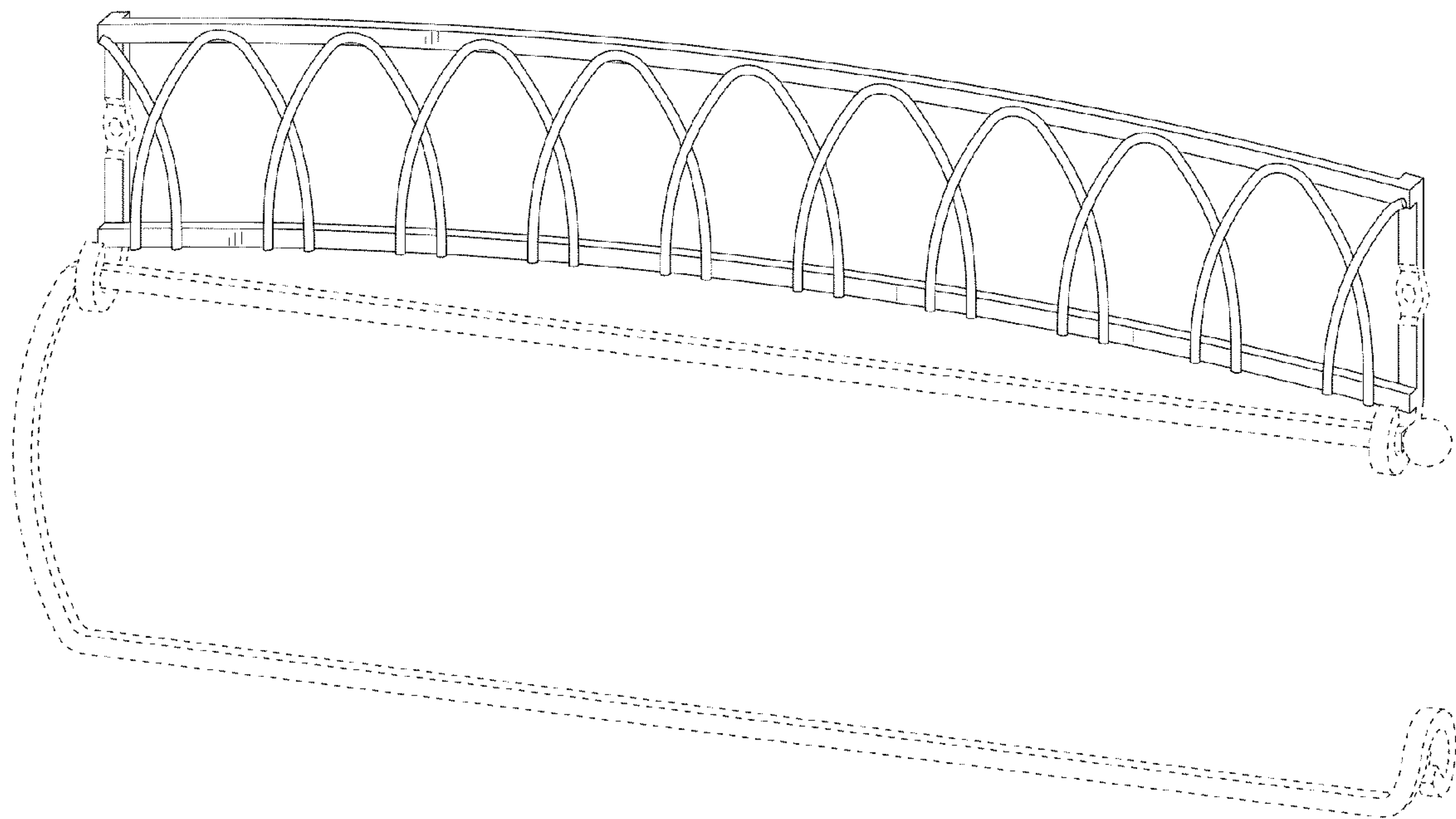


**FIG. 31**

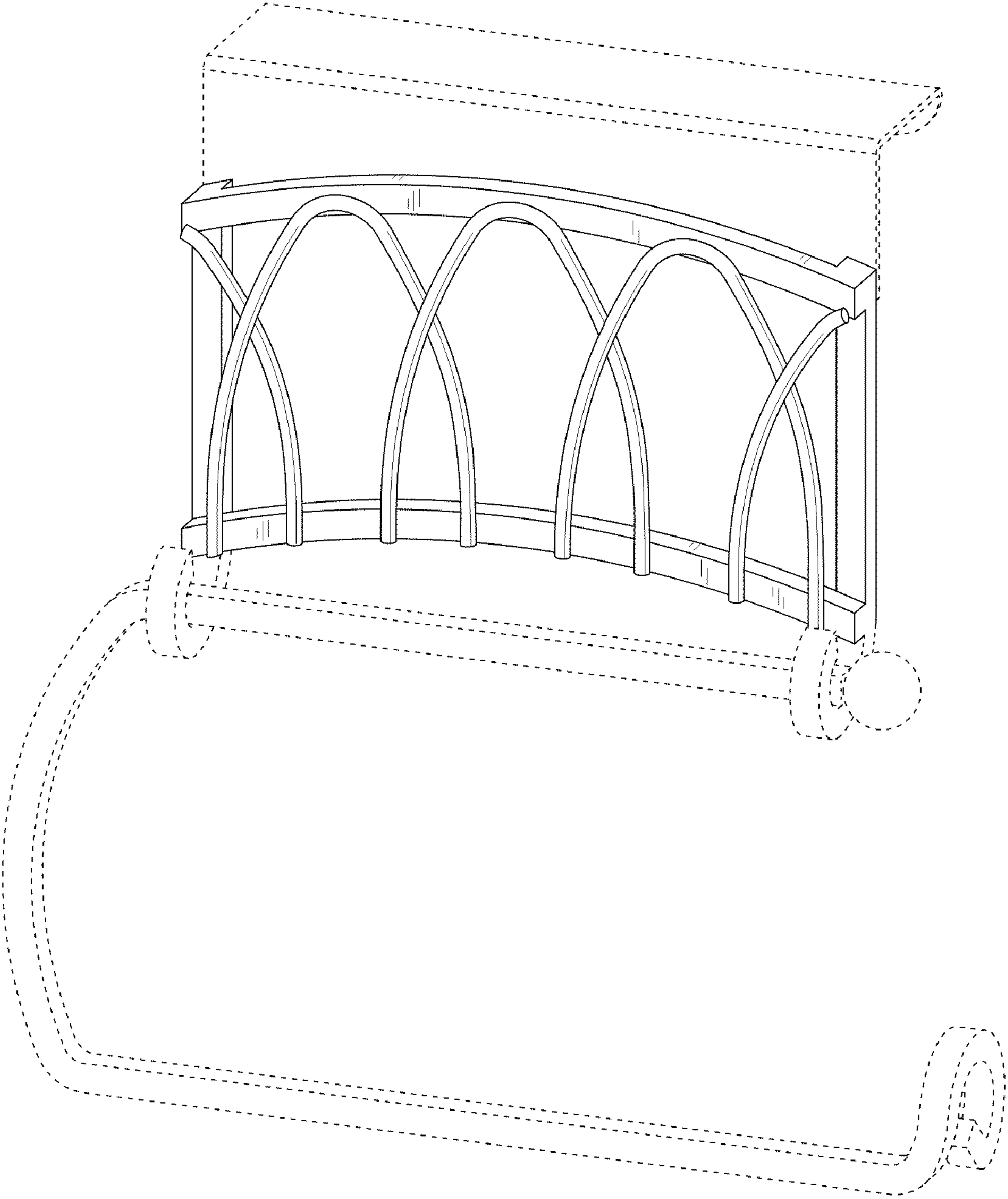


**FIG. 32**

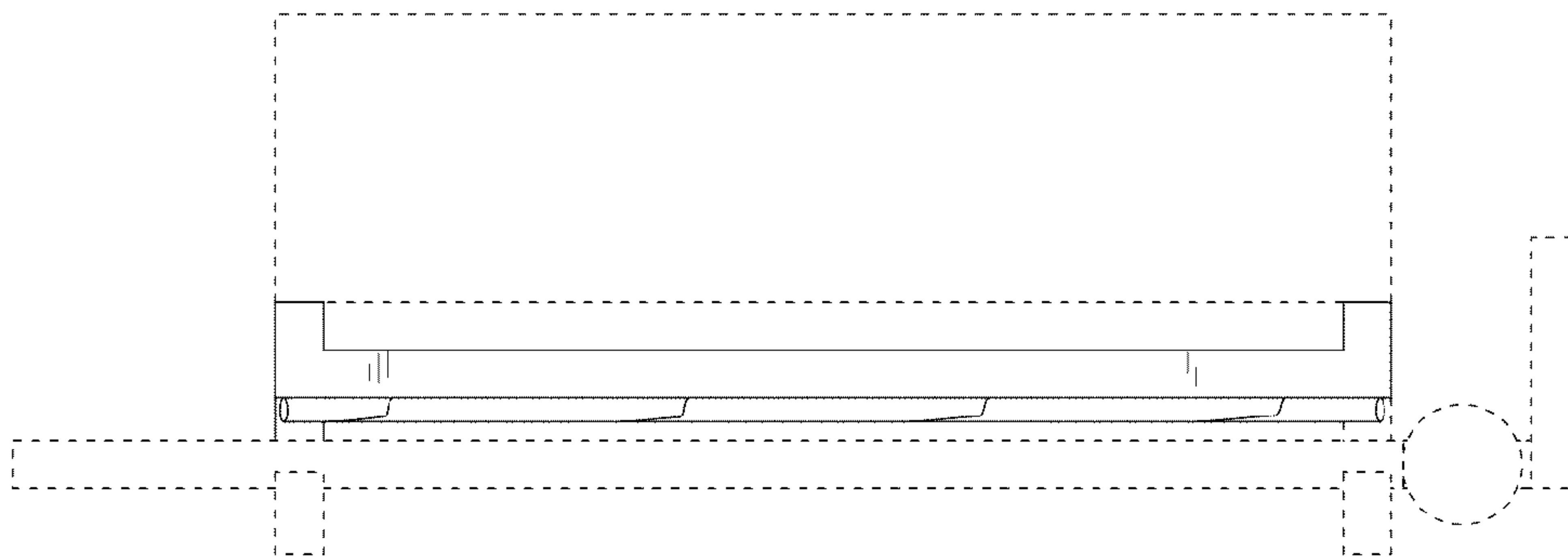




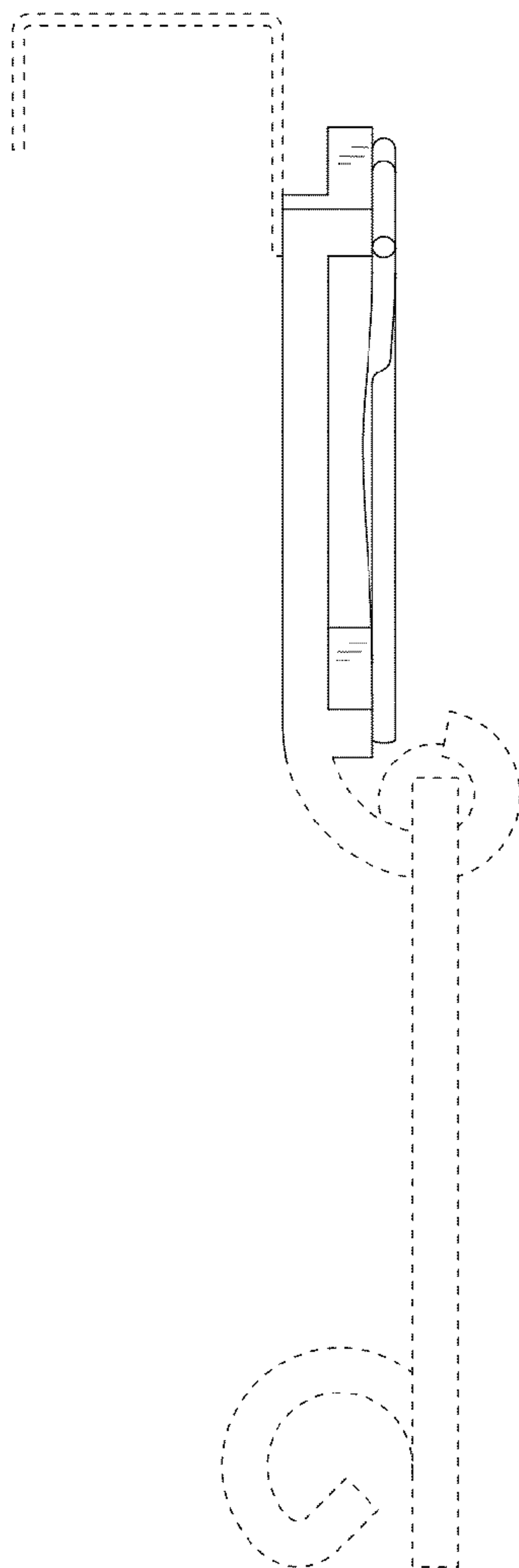
**FIG. 33**



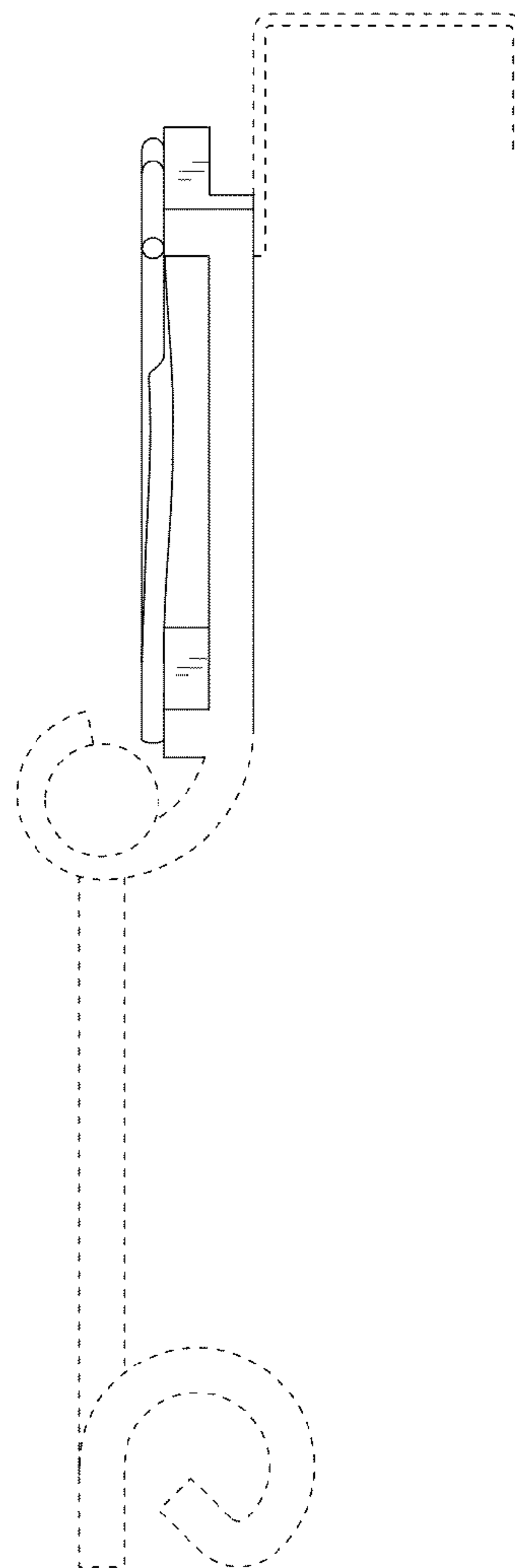
**FIG. 34**



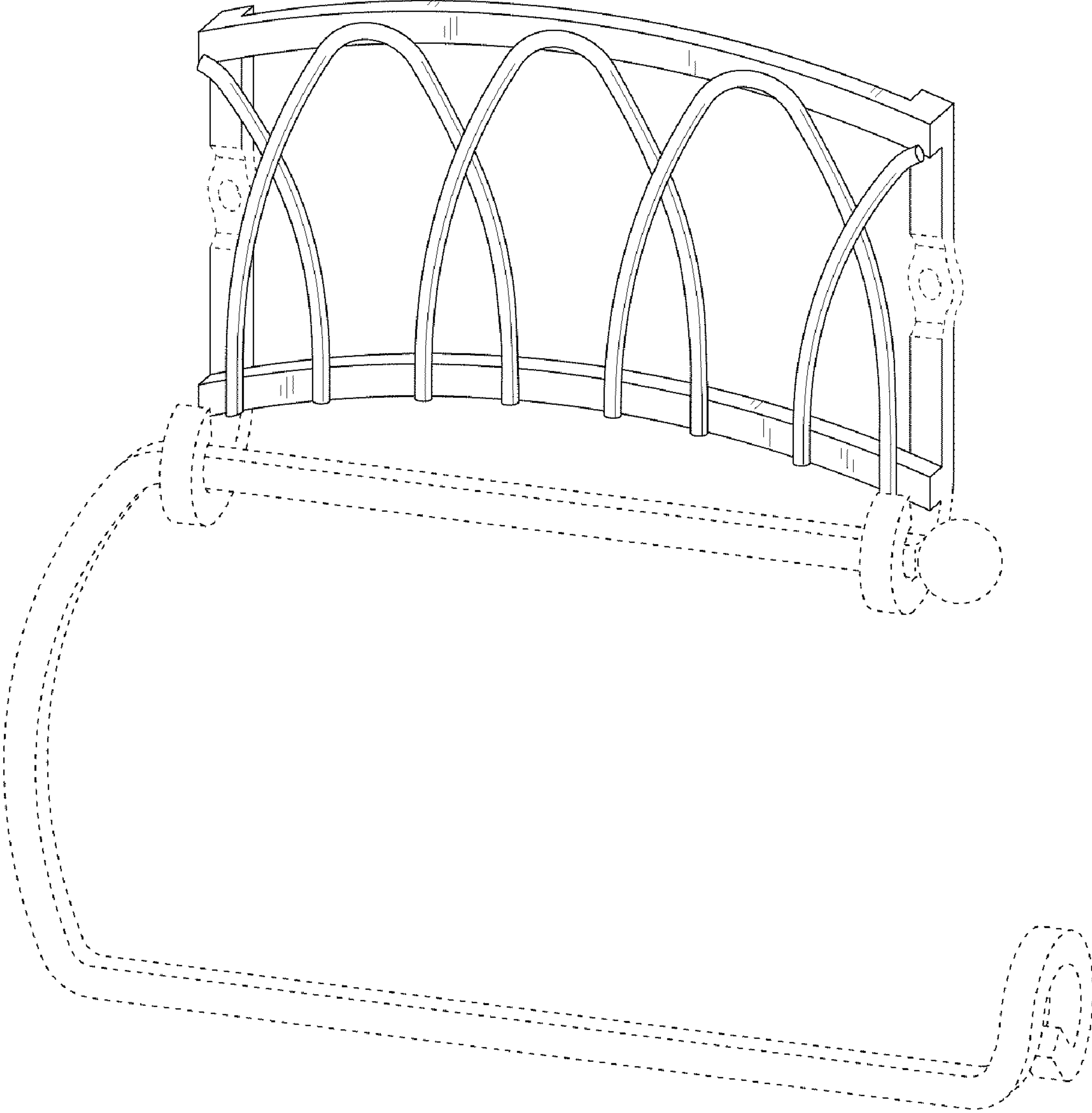
**FIG. 35**



**FIG. 36**



**FIG. 37**



**FIG. 38**