



US00D643661S

(12) **United States Design Patent**
Ferrer

(10) **Patent No.:** **US D643,661 S**

(45) **Date of Patent:** **** Aug. 23, 2011**

(54) **FLOWER POT HOLDER**

(76) Inventor: **Richard Ferrer**, Bay City, MI (US)

(**) Term: **14 Years**

(21) Appl. No.: **29/376,576**

(22) Filed: **Oct. 8, 2010**

(51) **LOC (9) Cl.** **06-04**

(52) **U.S. Cl.** **D6/556**

(58) **Field of Classification Search** D6/556,
D6/512, 513, 514, 567; D8/354, 373; 248/312.1,
248/313

See application file for complete search history.

(56) **References Cited**

U.S. PATENT DOCUMENTS

D230,827	S	*	3/1974	Brown	D8/354
D248,910	S	*	8/1978	DeFilippo	D6/556
D249,765	S	*	10/1978	Wilson	D6/556
4,283,038	A		8/1981	Kurtz		
4,422,610	A		12/1983	Hunt		
4,452,415	A	*	6/1984	Arnold	248/312.1
D288,282	S	*	2/1987	Sheets	D8/373
D296,760	S	*	7/1988	McGrath	D8/373

D394,576	S	*	5/1998	Gualandri	D6/556
D401,496	S		11/1998	Lambert et al.		
D409,077	S	*	5/1999	Brooks	D8/354

* cited by examiner

Primary Examiner — Brian N Vinson

(74) *Attorney, Agent, or Firm* — Crossley Patent Law; Mark A. Crossley

(57) **CLAIM**

The ornamental design for a flower pot holder, as shown and described.

DESCRIPTION

FIG. 1 is a front elevational view of a flower pot holder showing my new design;
FIG. 2 is a rear elevational view thereof;
FIG. 3 is a left side elevational view thereof, the opposite side being a mirror image of the shown;
FIG. 4 is a top plan view thereof; and,
FIG. 5 is a top, front, and right side perspective view thereof, with the broken-line disclosure of a fragment of a wall and a flower pot being shown for illustrative purposes only and forming no part of the claimed design.

1 Claim, 3 Drawing Sheets

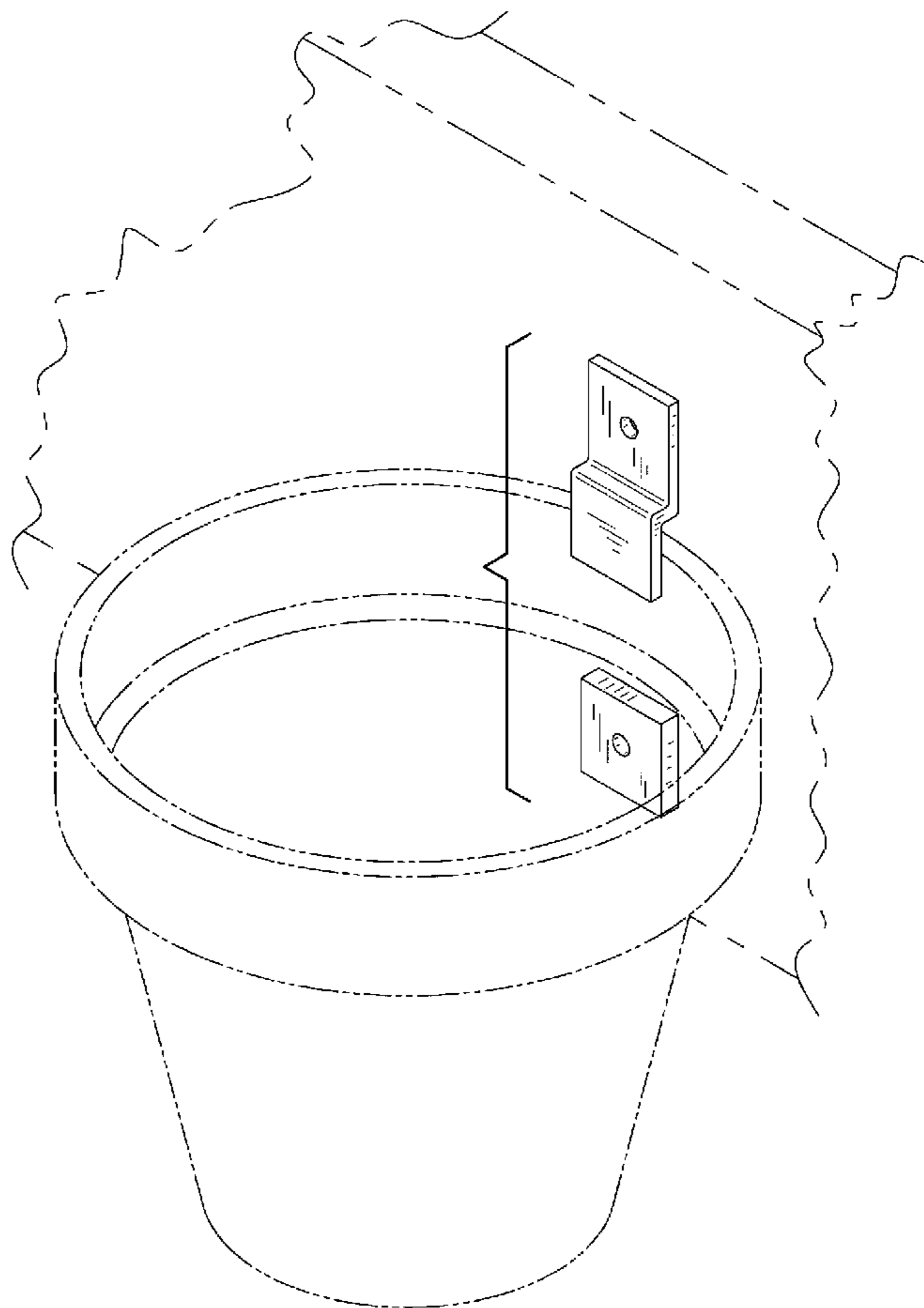


FIG. 1

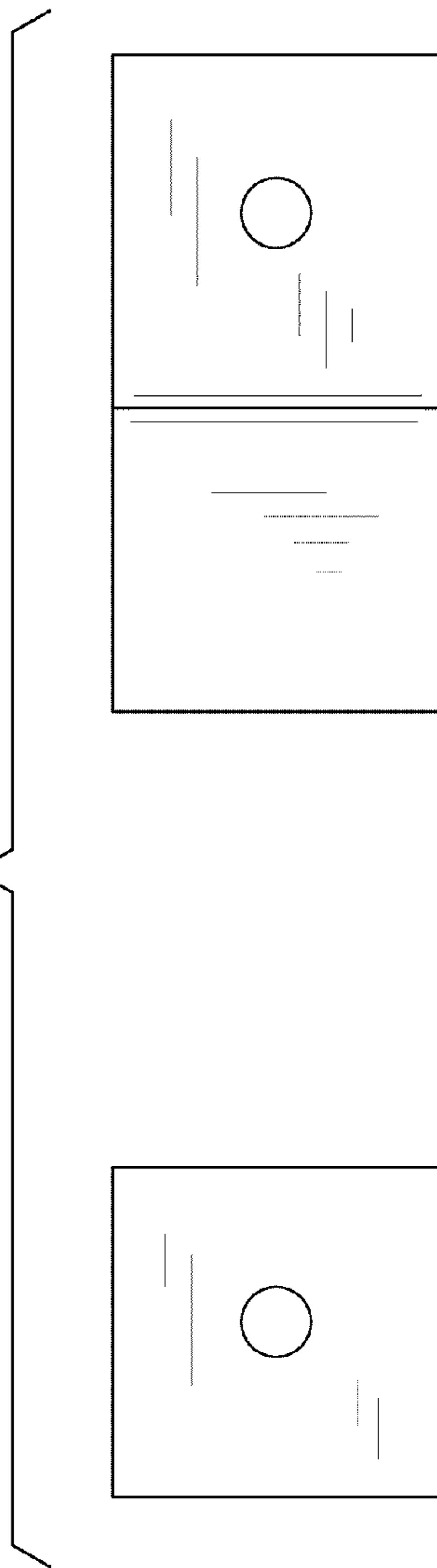


FIG. 2

