

US00D643660S

(12) **United States Design Patent**
Hashimoto

(10) **Patent No.:** **US D643,660 S**

(45) **Date of Patent:** **** Aug. 23, 2011**

(54) **WALL-MOUNTED DECORATIVE ARTICLE HOLDER**

D533,108 S * 12/2006 Nass D11/155
D623,983 S * 9/2010 Hashimoto D11/131
D624,335 S * 9/2010 Lutz et al. D6/403

(75) Inventor: **Masaki Hashimoto**, Ibaraki (JP)

FOREIGN PATENT DOCUMENTS

(73) Assignee: **Suntory Holdings Limited**, Osaka (JP)

JP 3146317 10/2008

(**) Term: **14 Years**

OTHER PUBLICATIONS

(21) Appl. No.: **29/361,142**

U.S. Appl. No. 29/350,579 to Hashimoto, filed Nov. 19, 2009.
U.S. Appl. No. 29/361,152 to Hashimoto, filed May 6, 2010.

(22) Filed: **May 6, 2010**

* cited by examiner

(30) **Foreign Application Priority Data**

Nov. 10, 2009 (JP) 2009-026251

Primary Examiner — Garth Rademaker

(51) **LOC (9) Cl.** **11-02**

(74) *Attorney, Agent, or Firm* — Greenblum & Bernstein P.L.C.

(52) **U.S. Cl.** **D6/556**

(57) **CLAIM**

(58) **Field of Classification Search** D6/403–405,
D6/556–558; D8/1; D11/143–156, 164;
D19/77, 80, 81, 84; D25/100; D26/9–11,
D26/16, 19; D34/1, 2, 4–6; D99/5, 19; 47/17,
47/32.4, 32.5, 32.7, 33, 39, 41.01, 41.1, 41.11–41.15,
47/44–47, 65, 65.5, 65.9, 66.1, 66.2, 66.6,
47/66.7, 67–71
See application file for complete search history.

The ornamental design for a wall-mounted decorative article holder, as shown and described.

DESCRIPTION

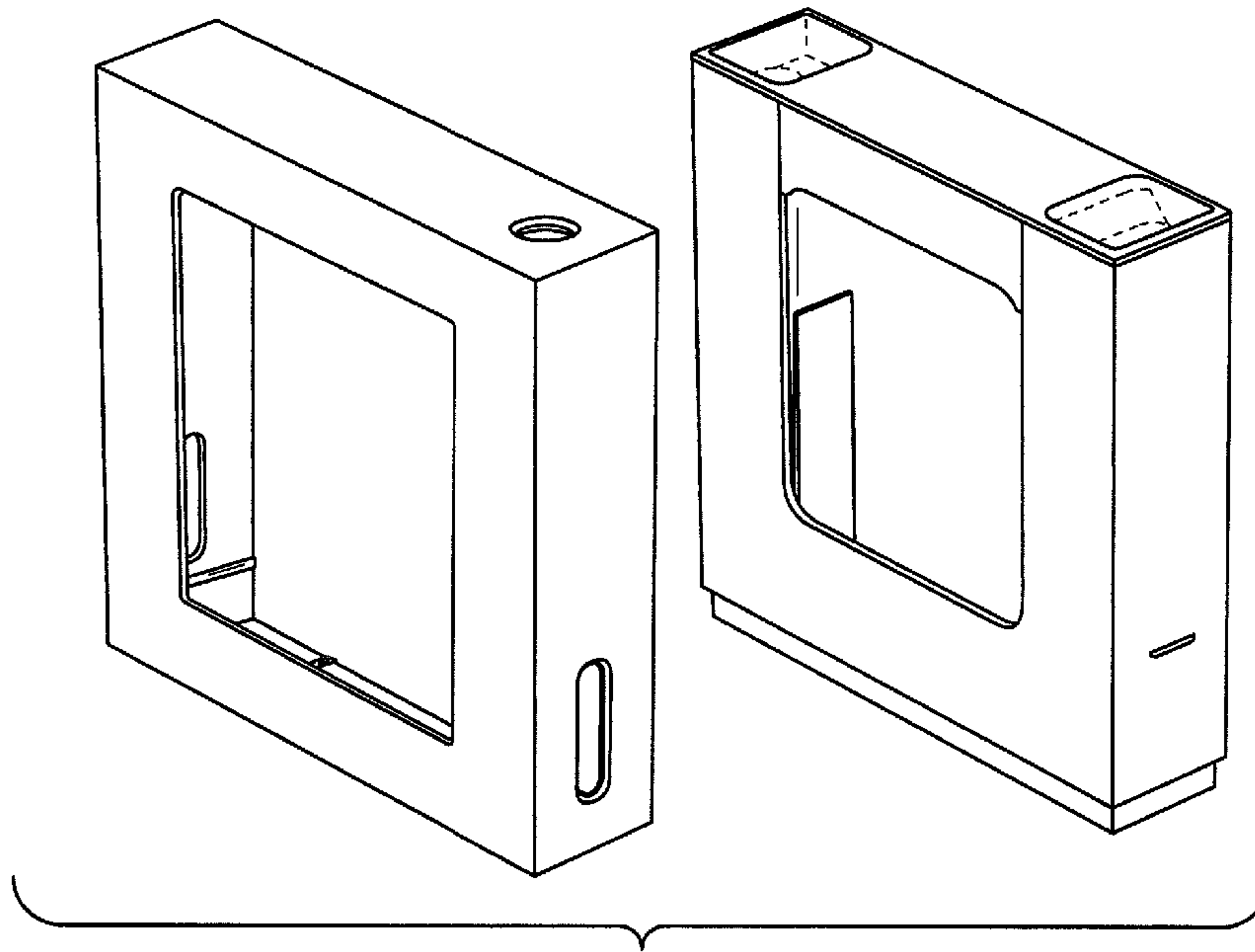
(56) **References Cited**

U.S. PATENT DOCUMENTS

1,096,927 A * 5/1914 Kuhn D11/155
2,830,405 A * 4/1958 Nydegger D11/155
D320,952 S * 10/1991 Lang D11/145
D350,418 S * 9/1994 Ross D11/145
D357,210 S * 4/1995 Tomlinson et al. D11/156
D371,088 S * 6/1996 Vollick D11/145
D388,361 S * 12/1997 Krieger D11/131
D397,523 S * 8/1998 Ray D11/145

FIG. 1 is a front elevation view of a wall-mounted decorative article holder showing my new design;
FIG. 2 is a rear elevation view thereof;
FIG. 3 is a left side elevation view thereof, the right side elevation view being a mirror image thereof;
FIG. 4 is a top plan view thereof;
FIG. 5 is a bottom view thereof;
FIG. 6 is a perspective view thereof; and,
FIG. 7 is an exploded perspective view thereof.
The wall-mounted plant holder is for use in decoration of an indoor or outdoor wall surface with a foliage plant, a natural flower or an artificial flower being exposed to the outside through an opening in the front portion of the frame.
The broken lines shown in FIGS. 4 and 7 form no part of the claimed design.

1 Claim, 7 Drawing Sheets



F i g . 1

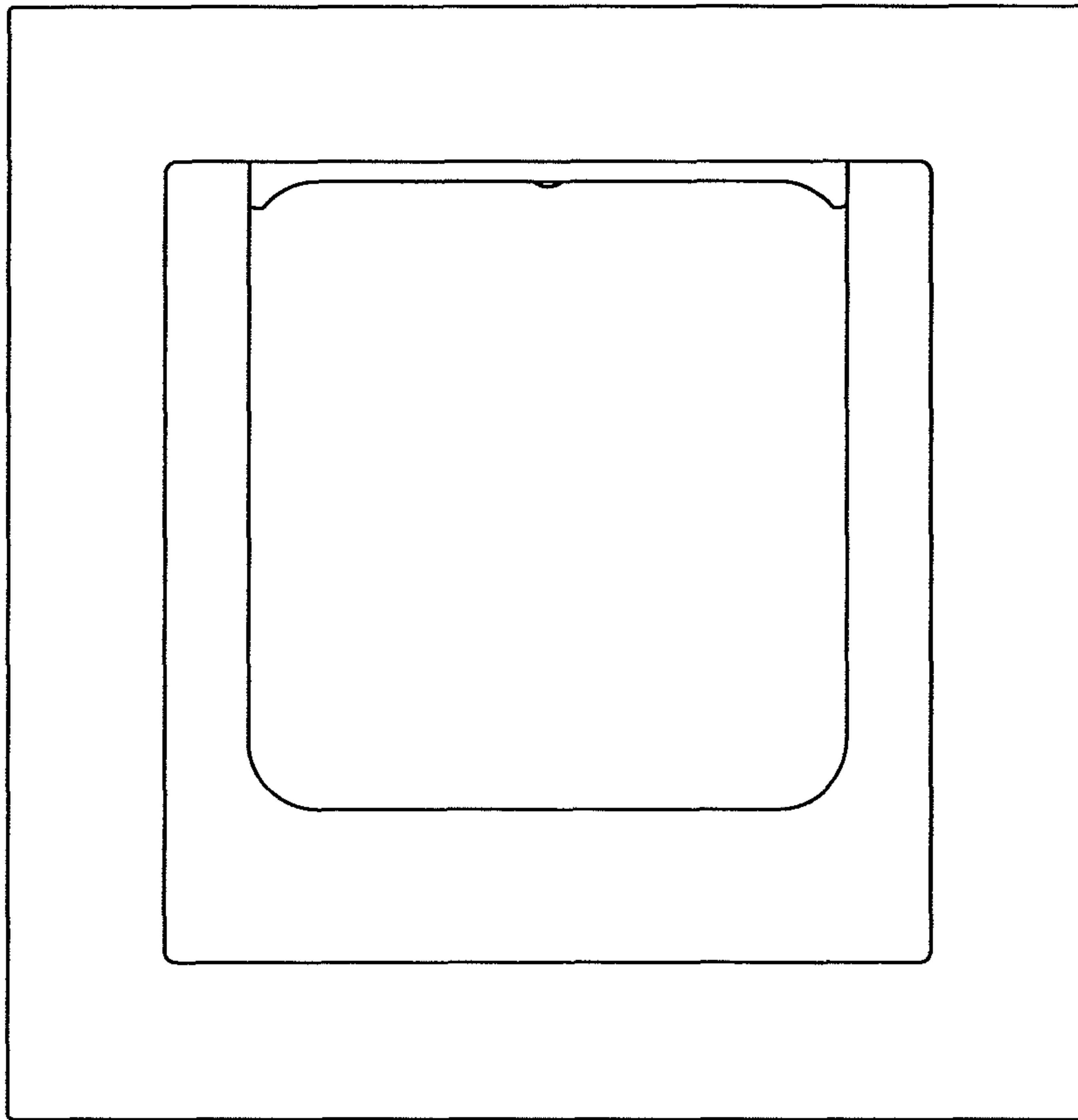
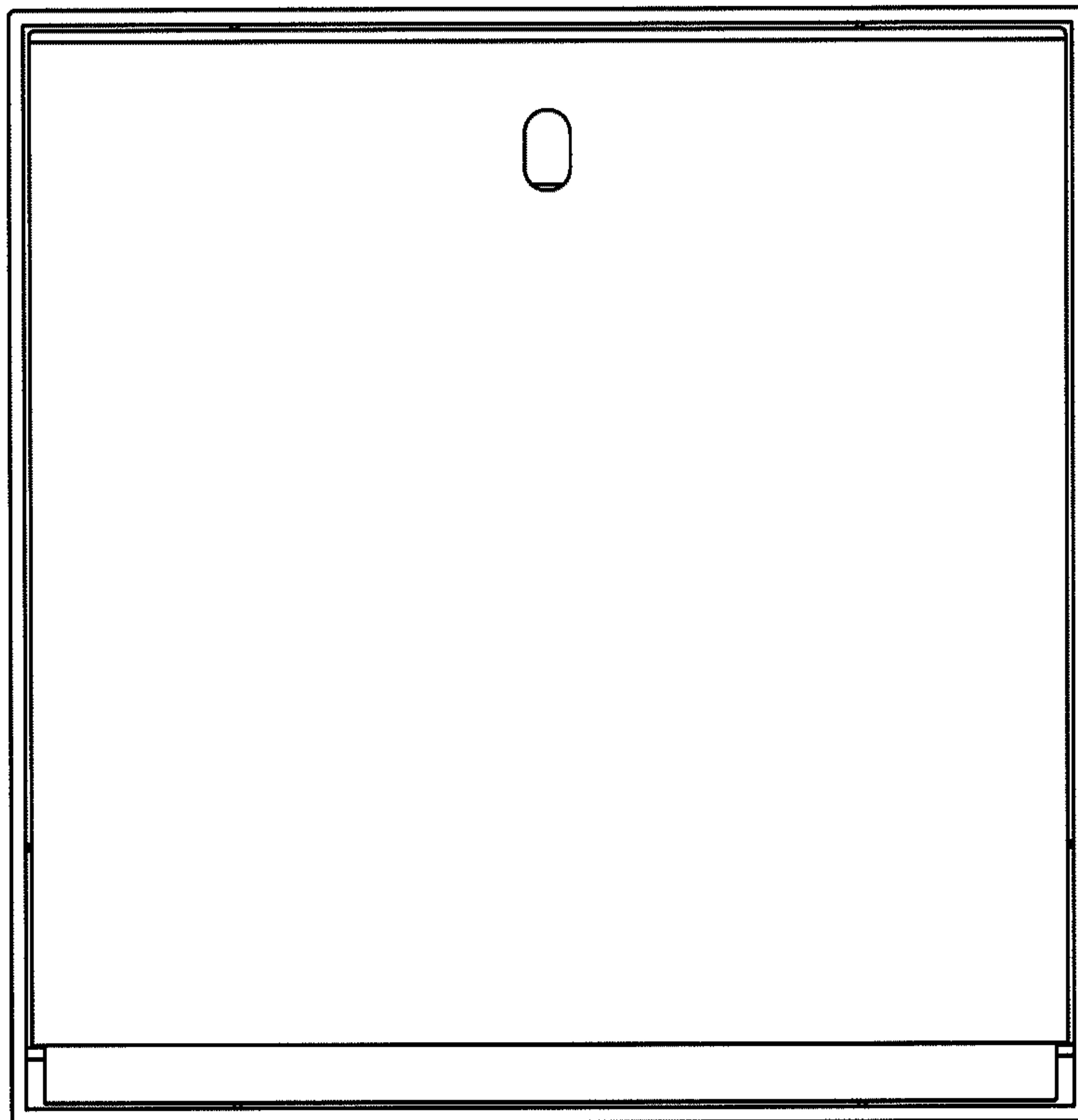
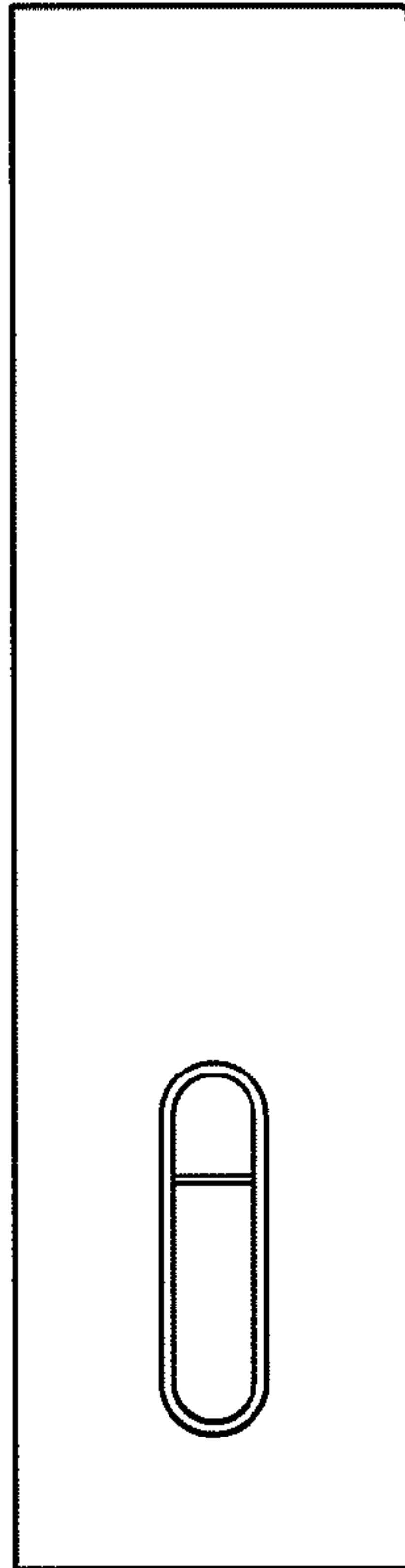


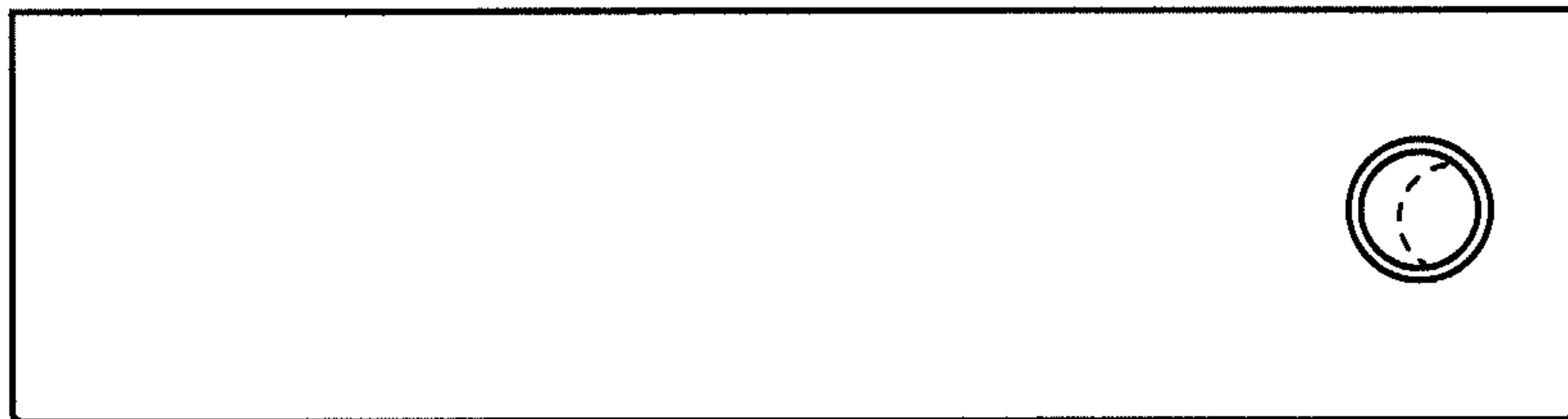
Fig. 2



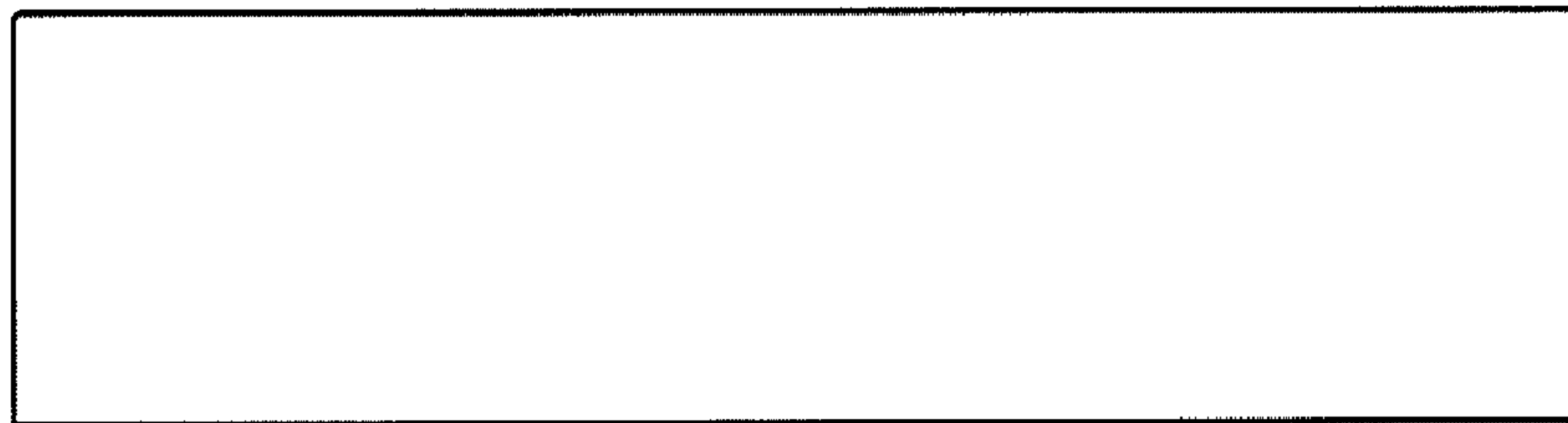
F i g . 3



F i g . 4



F i g . 5



F i g . 6

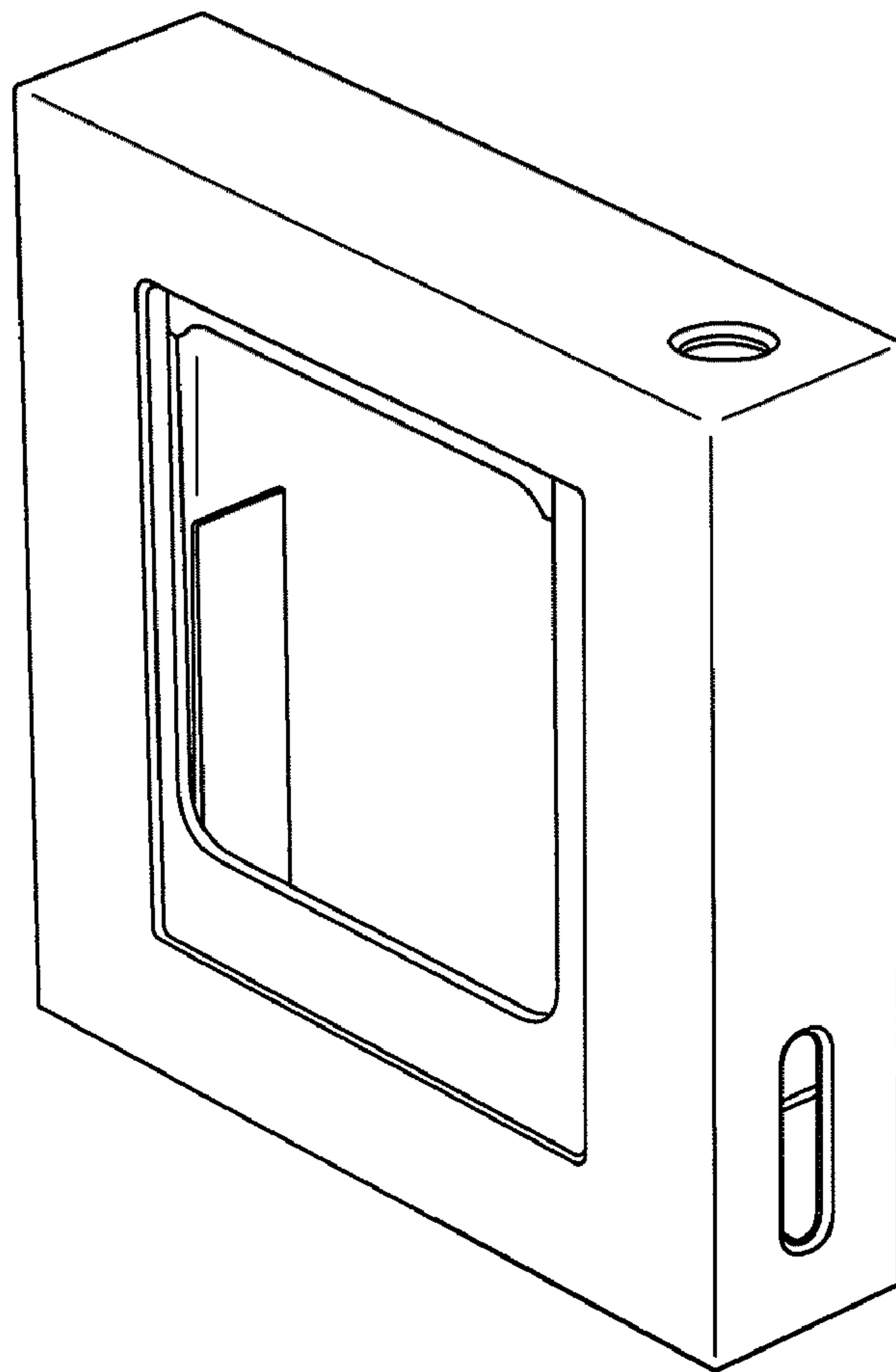


Fig. 7

