



US00D643658S

(12) **United States Design Patent**
Vining

(10) **Patent No.:** **US D643,658 S**

(45) **Date of Patent:** **** Aug. 23, 2011**

(54) **HANDGUN STORAGE RACK HAVING VAPOR CORROSION INHIBITOR STRIPS**

Primary Examiner — Brian N Vinson

(74) *Attorney, Agent, or Firm* — Gulf Coast Intellectual Property Group

(76) Inventor: **Rick Vining**, Brandon, FL (US)

(**) Term: **14 Years**

(57) **CLAIM**

The ornamental design for a handgun storage rack having vapor corrosion inhibitor strips, as shown and described.

(21) Appl. No.: **29/386,411**

(22) Filed: **Feb. 28, 2011**

(51) **LOC (9) Cl.** **08-08**

(52) **U.S. Cl.** **D6/552**

(58) **Field of Classification Search** D6/552,
D6/553, 567; D22/109; 211/13.1, 60.1,
211/64, 70.2, 70.6, 70.8

See application file for complete search history.

DESCRIPTION

FIG. 1 is a rear perspective view thereof; and FIG. 2 is a left side view thereof; and FIG. 3 is a right side view thereof; and FIG. 4 is a rear side view thereof; and FIG. 5 is a front side view thereof; and FIG. 6 is a top view thereof; and, FIG. 7 is a frontal perspective view thereof.

The broken lines showing of parts of the drawings is included for the purpose of illustrating use and environment and forms no part of the claimed design.

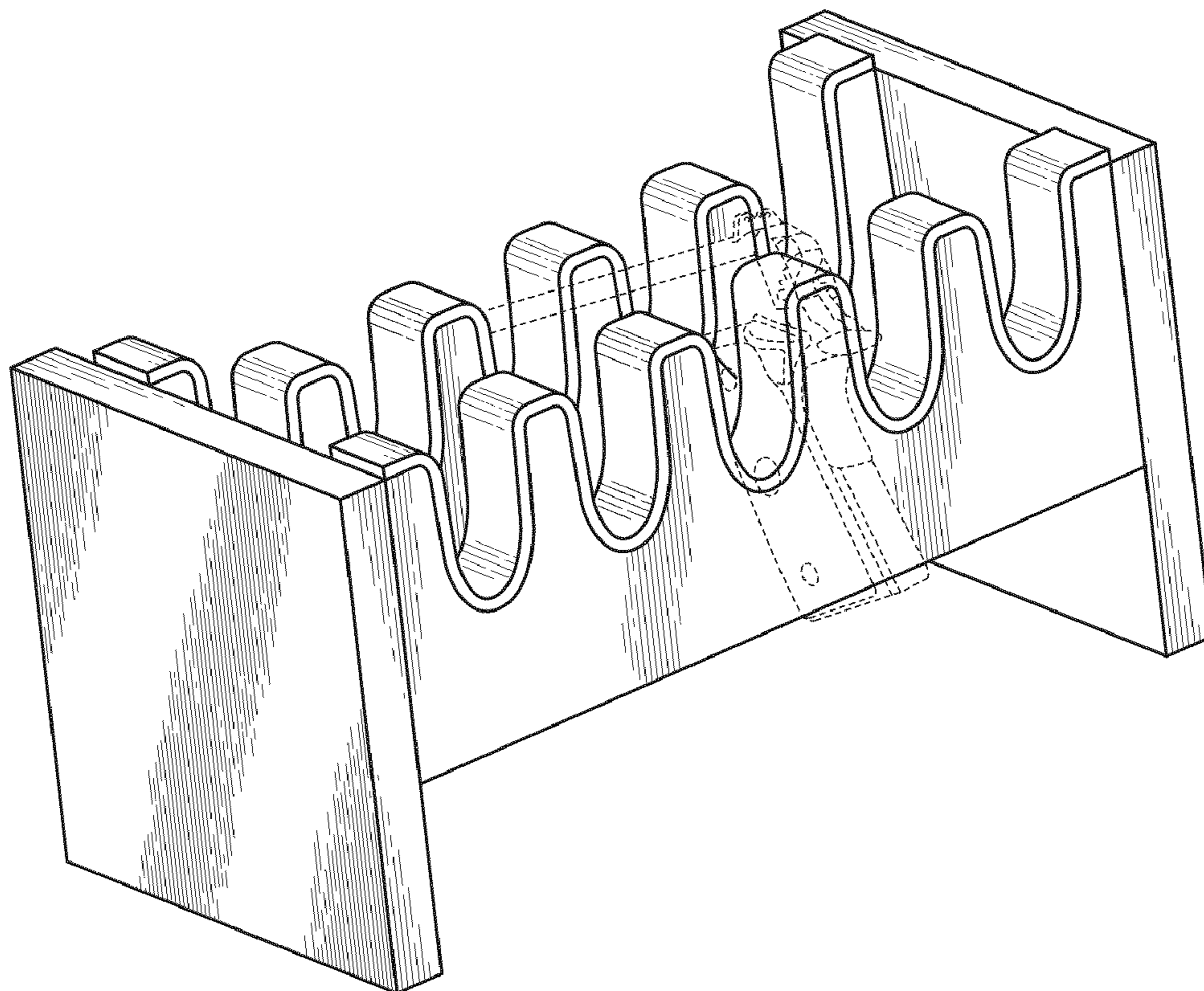
(56) **References Cited**

U.S. PATENT DOCUMENTS

D461,085 S *	8/2002	Chen	D6/552
D587,051 S *	2/2009	Vining	D6/552
D609,516 S *	2/2010	Vining	D6/552

* cited by examiner

1 Claim, 3 Drawing Sheets



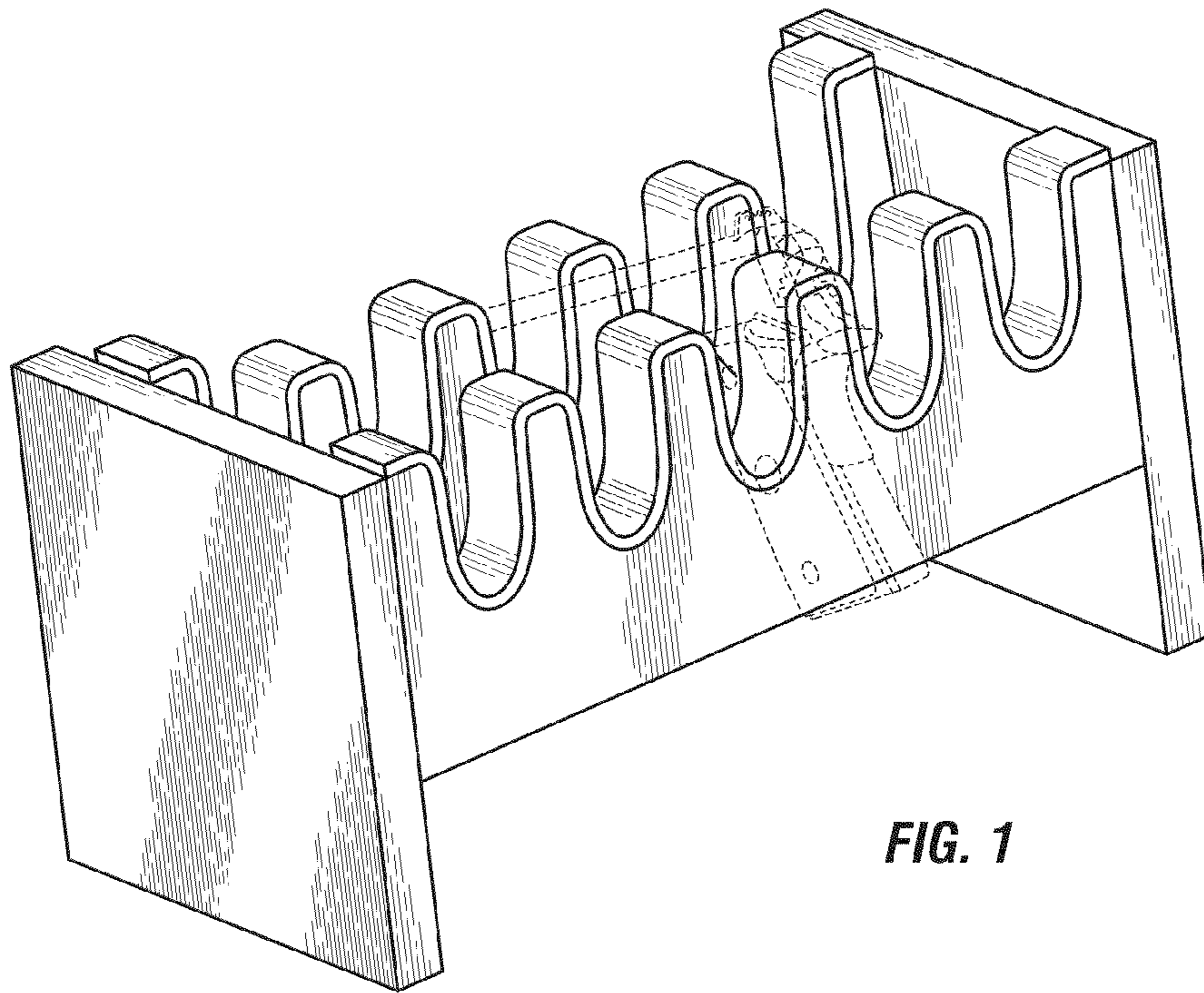


FIG. 1

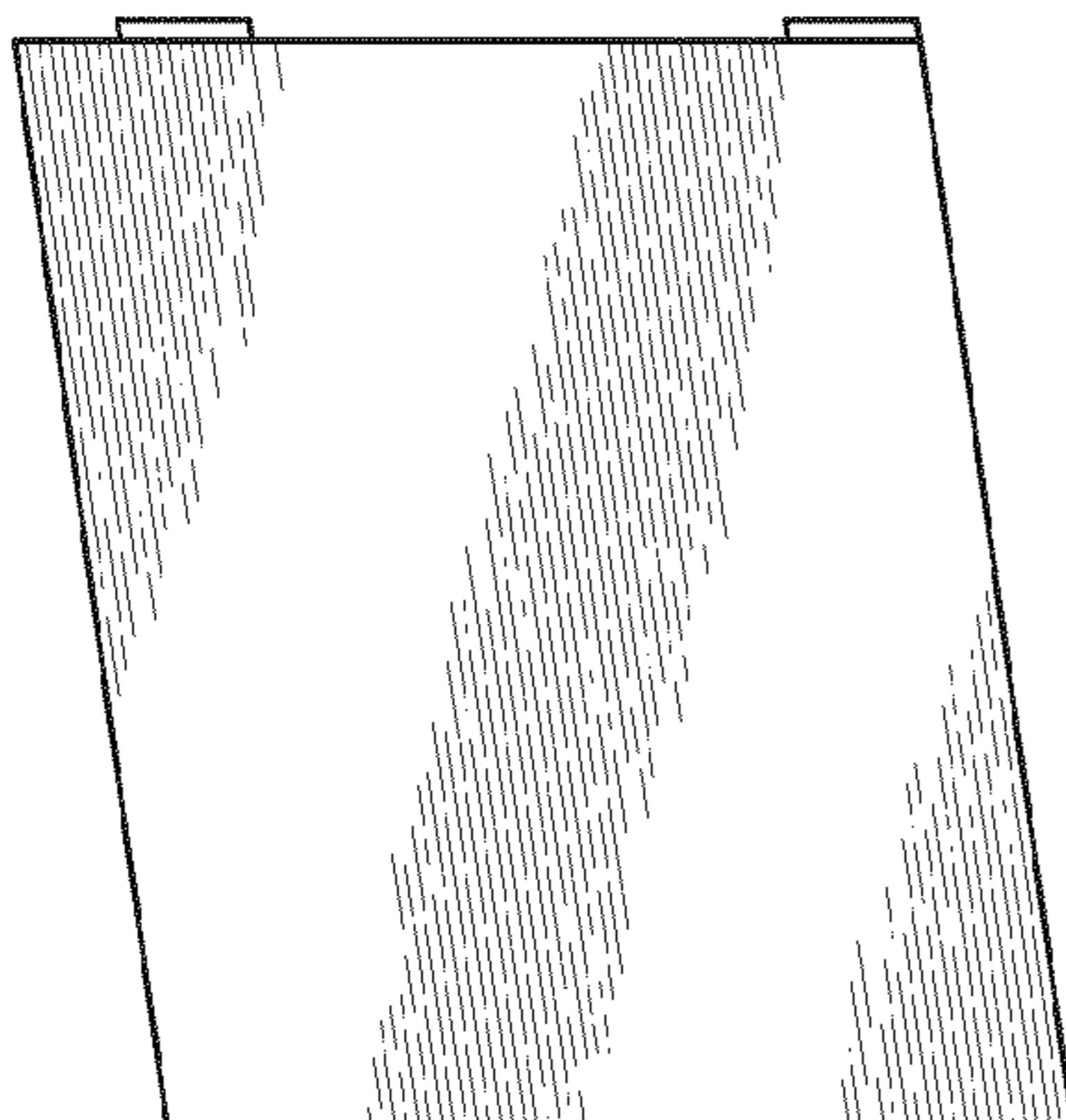


FIG. 2

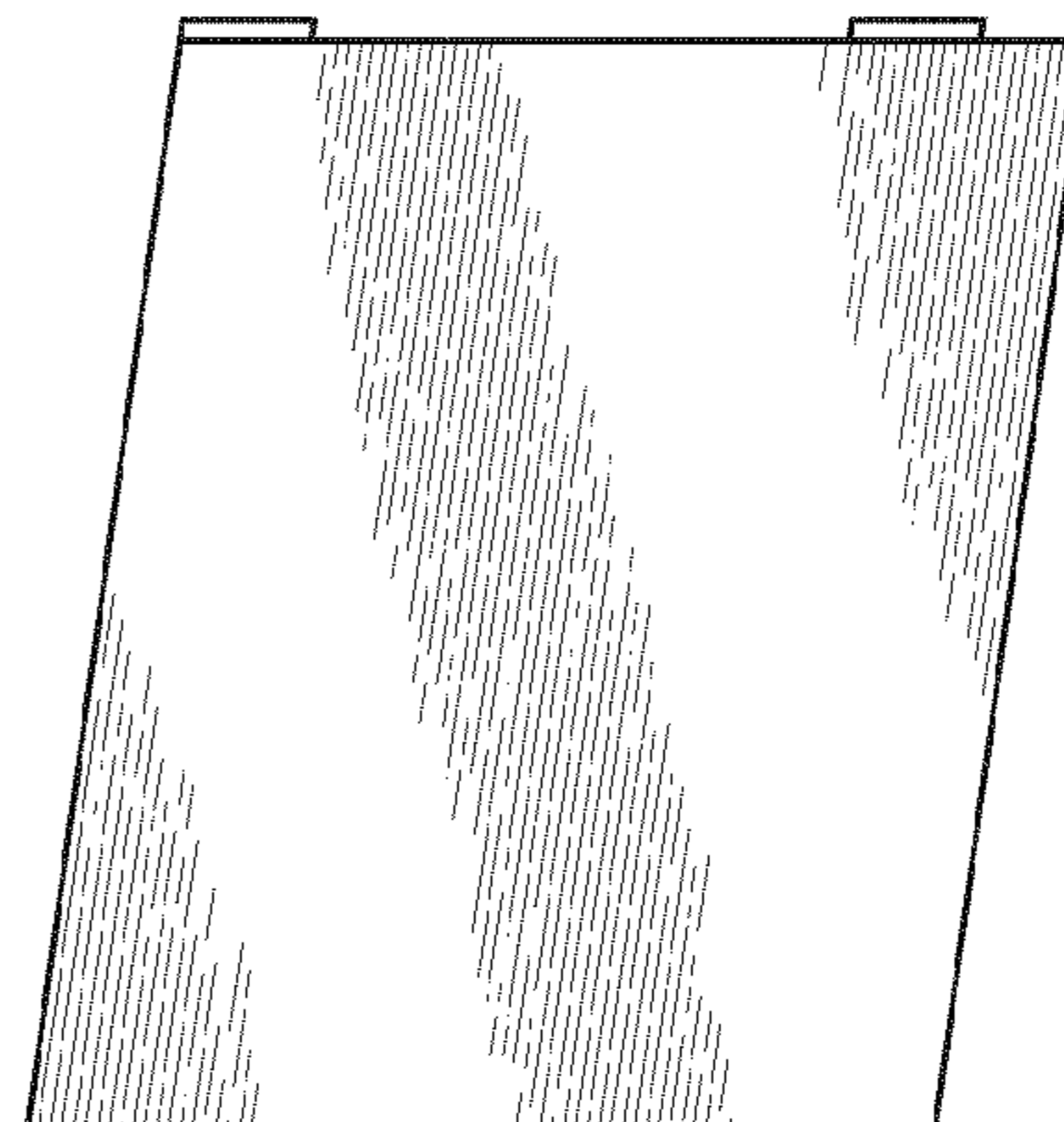


FIG. 3

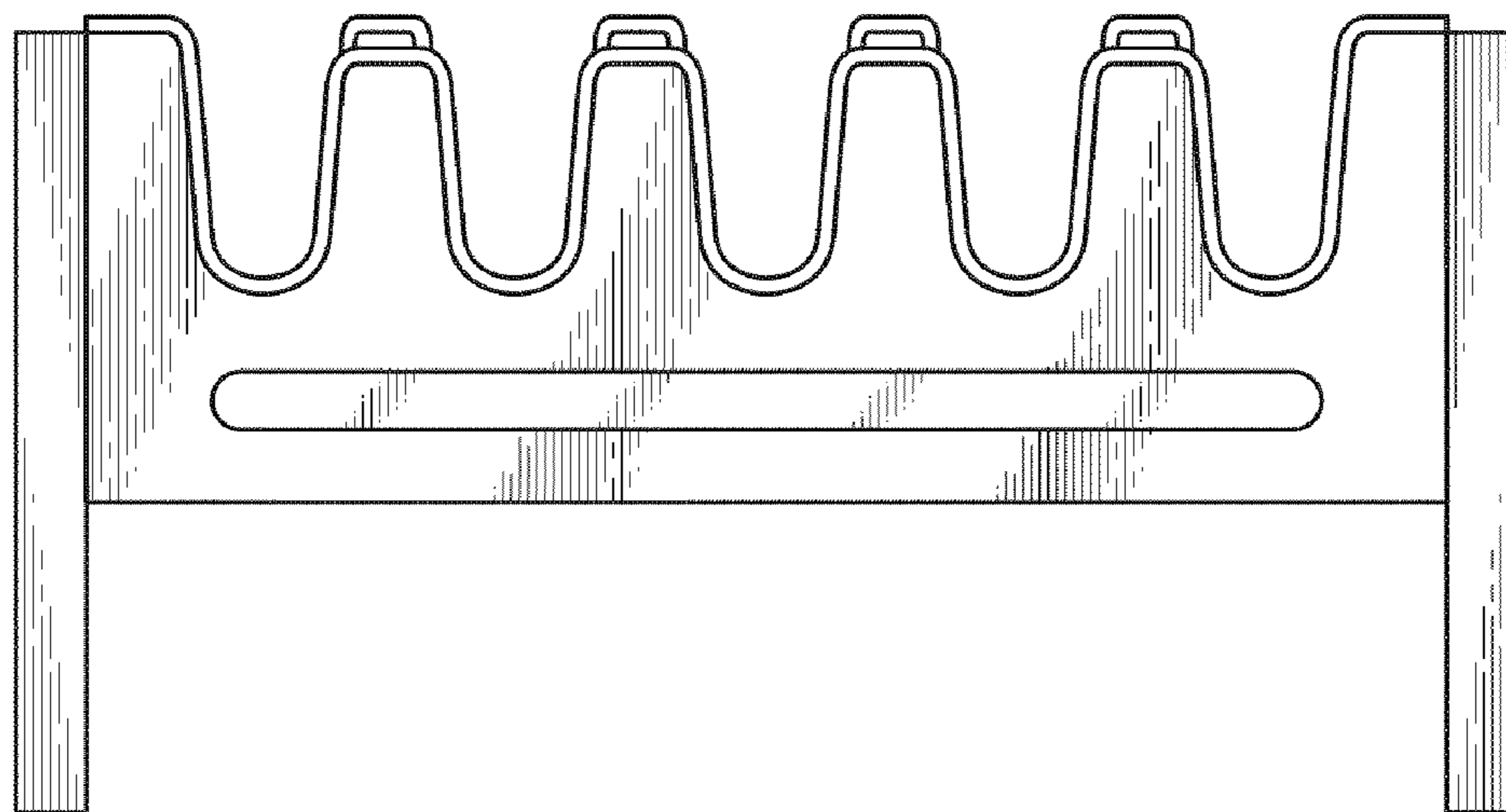


FIG. 4

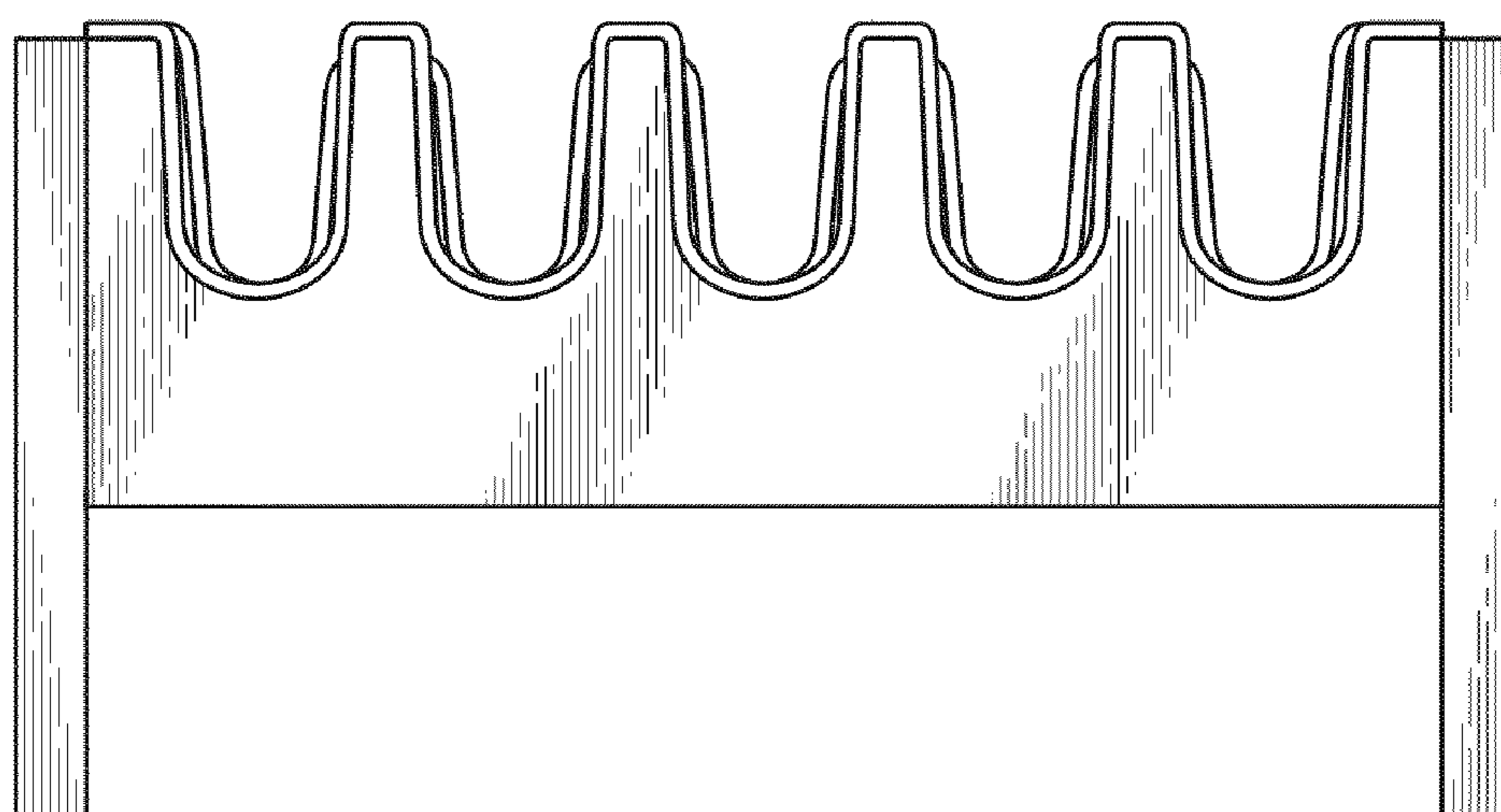


FIG. 5

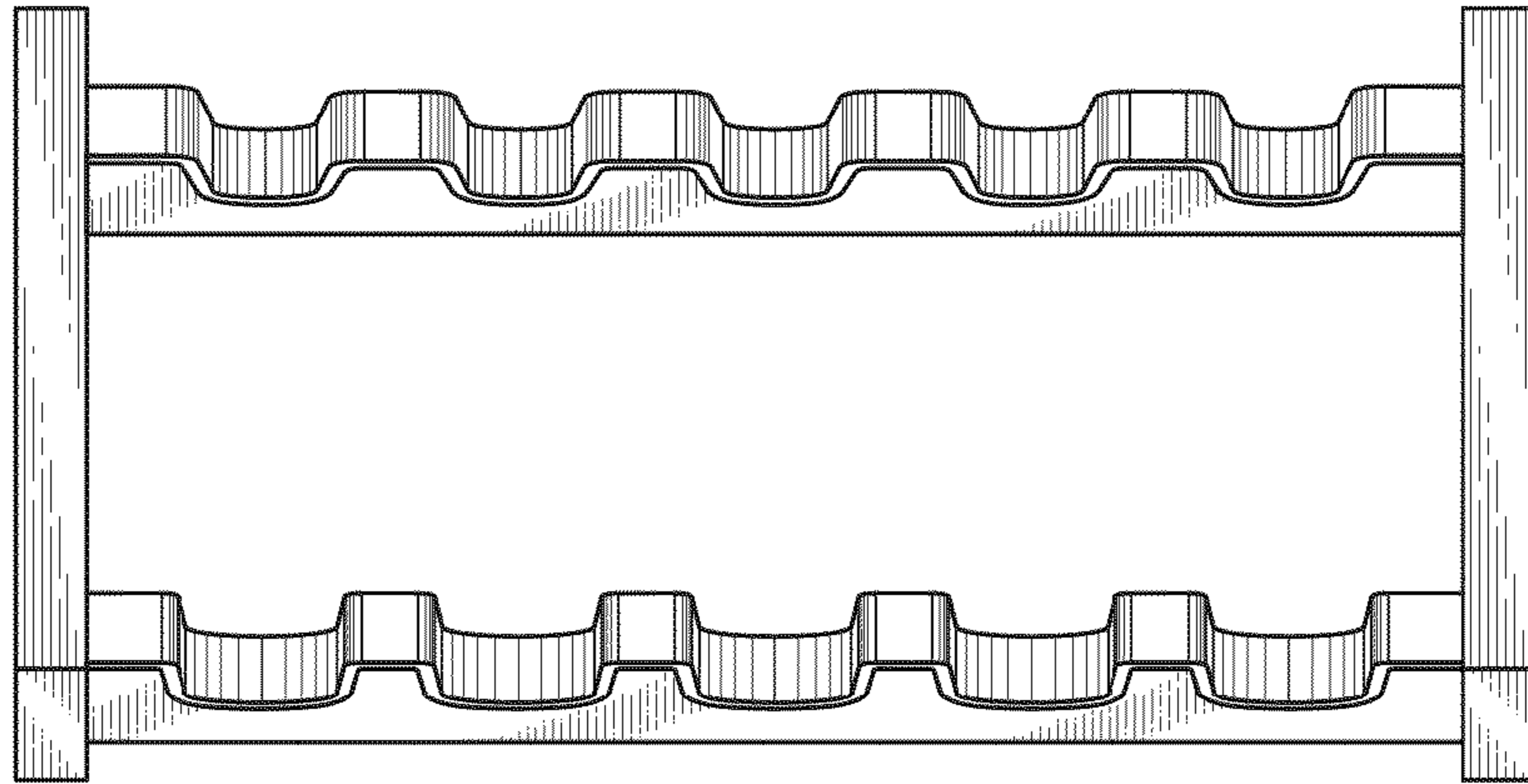


FIG. 6

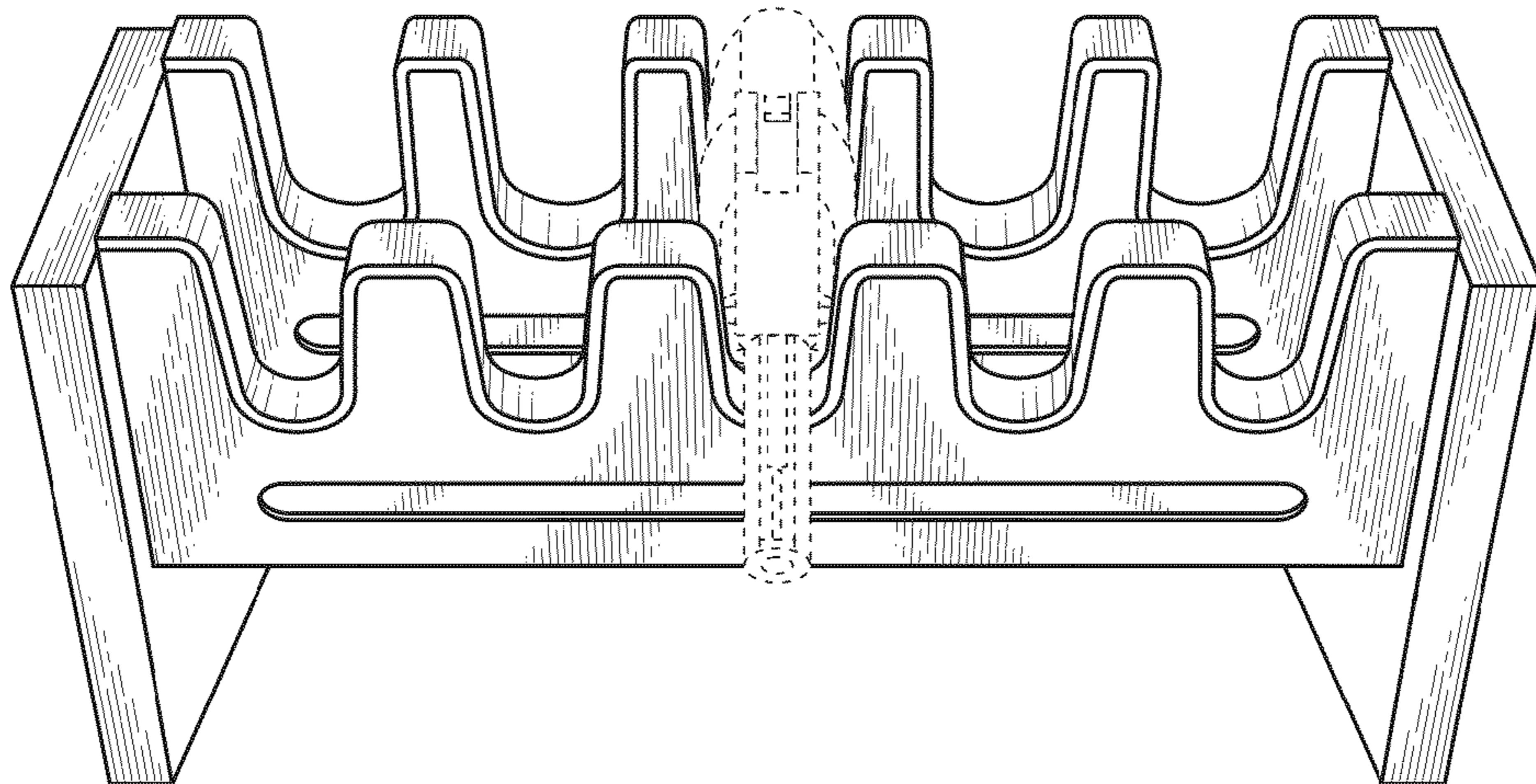


FIG. 7