



US00D643656S

(12) **United States Design Patent**
Golias, Sr. et al.

(10) **Patent No.:** **US D643,656 S**
(45) **Date of Patent:** **** Aug. 23, 2011**

- (54) **FRONT WALL OF A CABINET SHELF**
 - (75) Inventors: **Bernard J. Golias, Sr.**, Hinckley, OH (US); **Bernard J. Golias, Jr.**, Twinsburg, OH (US); **Robert J. Golias**, Solon, OH (US); **Gary W. James**, Parma Heights, OH (US)
 - (73) Assignee: **Metal Fabricating Corporation**, Cleveland, OH (US)
 - (**) Term: **14 Years**
 - (21) Appl. No.: **29/338,305**
 - (22) Filed: **Jun. 9, 2009**
 - (51) **LOC (9) Cl.** **06-06**
 - (52) **U.S. Cl.** **D6/511**
 - (58) **Field of Classification Search** D6/491-492, D6/509-511, 406.3-406.4; D14/447; 108/27, 108/59, 180; 211/59.2, 135, 153, 186; 312/140.1, 312/140.4
- See application file for complete search history.

4,295,693 A	10/1981	Viklund	
D285,047 S *	8/1986	Dean et al.	D8/382
4,681,381 A	7/1987	Sevey	
D297,111 S	8/1988	Thompson et al.	
D300,147 S	3/1989	Meyer et al.	
D309,540 S	7/1990	Suttles et al.	
D311,285 S	10/1990	Mastrodicasa	
D314,114 S	1/1991	Steinman	
D323,091 S	1/1992	Boschetto	
D330,649 S *	11/1992	Lemire	D6/466
D331,010 S *	11/1992	Garner	D8/403
D333,394 S	2/1993	Warrington	
D334,494 S	4/1993	Stein	
5,209,452 A	5/1993	Goldberg	
5,267,383 A	12/1993	Sawdon	
D345,480 S *	3/1994	Sandegren	D6/511
5,329,835 A	7/1994	Timp et al.	
5,470,143 A	11/1995	Gill	
5,613,449 A	3/1997	Pullman	
D384,106 S *	9/1997	Shinya	D19/65

(Continued)

Primary Examiner — Elizabeth Albert
Assistant Examiner — Kelley Donnelly
(74) *Attorney, Agent, or Firm* — Fay Sharpe LLP

(57) **CLAIM**
The ornamental design for a front wall of a cabinet shelf, as shown and described.

(56) **References Cited**

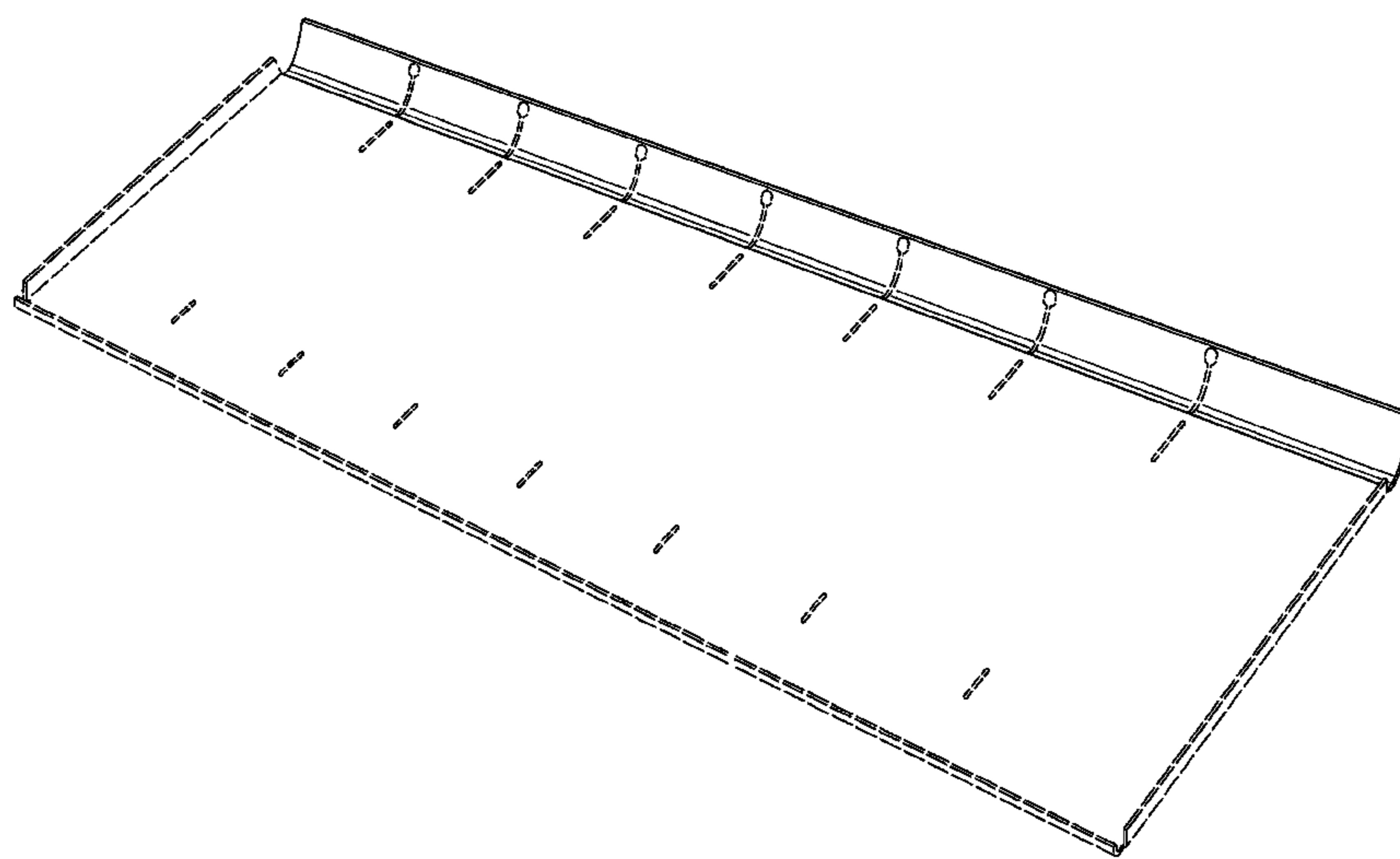
U.S. PATENT DOCUMENTS

1,523,653 A	1/1925	Larson et al.	
1,840,485 A	1/1932	Butler	
D116,600 S	9/1939	Thorn et al.	
D141,059 S *	5/1945	Siegel	D6/314
2,761,640 A	9/1956	Frater	
3,086,658 A *	4/1963	Palmer	211/50
D211,139 S	5/1968	Nowak	
3,389,949 A	6/1968	Studinski et al.	
3,548,505 A	12/1970	Candilo	
3,572,874 A	3/1971	Hassel	
3,809,352 A	5/1974	Mathias	
4,029,282 A	6/1977	Dauth	
4,067,632 A	1/1978	Sekerich	
4,070,076 A	1/1978	Zwillinger	
4,155,312 A	5/1979	Thorkildson	
4,258,892 A	3/1981	Craine	

DESCRIPTION

FIG. 1 is a top rear perspective view of a front wall of a cabinet shelf;
FIG. 2 is a top plan view thereof;
FIG. 3 is a rear elevational view thereof;
FIG. 4 is a bottom plan view thereof;
FIG. 5 is a front elevational view thereof; and,
FIG. 6 is a right side elevation view thereof, with a left side elevation view being a mirror image thereof.
The dashed broken lines in FIGS. 1-6 represent environmental subject matter and form no part of the claimed design.

1 Claim, 4 Drawing Sheets



US D643,656 S

Page 2

U.S. PATENT DOCUMENTS

5,682,698	A *	11/1997	Bevins	40/661.03	D461,977	S	8/2002	Mitchell	
5,695,261	A	12/1997	Slesinger et al.		6,490,820	B1	12/2002	Weakley	
5,702,011	A	12/1997	Carroll		6,561,601	B1	5/2003	Maffeo	
D392,131	S	3/1998	Flagg		D507,131	S	7/2005	Pingel	
5,730,511	A *	3/1998	Doan et al.	312/234.4	D510,220	S	10/2005	Sandy	
5,737,819	A	4/1998	Sawdon et al.		D520,862	S *	5/2006	Munson et al.	D8/354
D395,369	S	6/1998	Whittington		D525,059	S	7/2006	Golias, Sr. et al.	
5,785,401	A	7/1998	Bowyer et al.		D529,291	S *	10/2006	Schloss	D3/318
D402,143	S *	12/1998	Zapf	D6/510	7,128,379	B1	10/2006	LaBonia, Jr. et al.	
D407,011	S	3/1999	Boije		D541,563	S	5/2007	LaBonia, Jr. et al.	
D424,330	S	5/2000	DeWitt		D568,079	S *	5/2008	Klein et al.	D6/510
6,076,908	A	6/2000	Maffeo		D568,648	S	5/2008	Roussel et al.	
D429,417	S	8/2000	Liebers et al.		D577,936	S *	10/2008	Held	D6/510
D431,403	S	10/2000	Ford		7,452,039	B1	11/2008	Golias, Jr. et al.	
6,170,674	B1	1/2001	Caterinacci		D584,941	S *	1/2009	Broehl et al.	D8/377
6,279,445	B1	8/2001	Rosene et al.		D593,783	S	6/2009	Golias, Jr. et al.	
6,302,369	B1	10/2001	Liebers et al.		D608,107	S *	1/2010	Luebcke	D6/418
D455,755	S	4/2002	Levine et al.		7,806,282	B1	10/2010	LaBonia, Jr. et al.	
D457,364	S	5/2002	Shea		D629,987	S *	12/2010	D'Ulisse	D32/58
D458,484	S	6/2002	Wood						

* cited by examiner

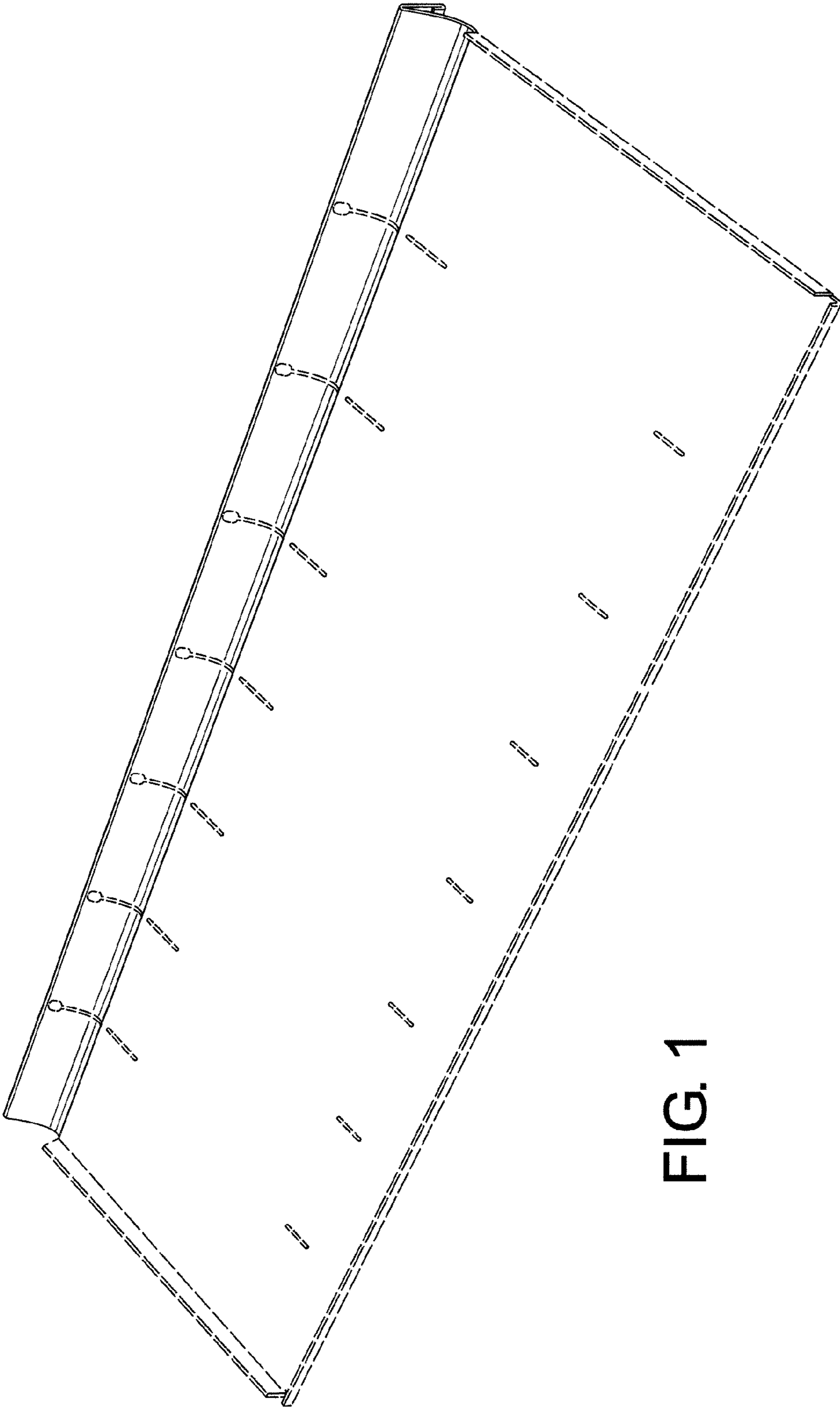


FIG. 1

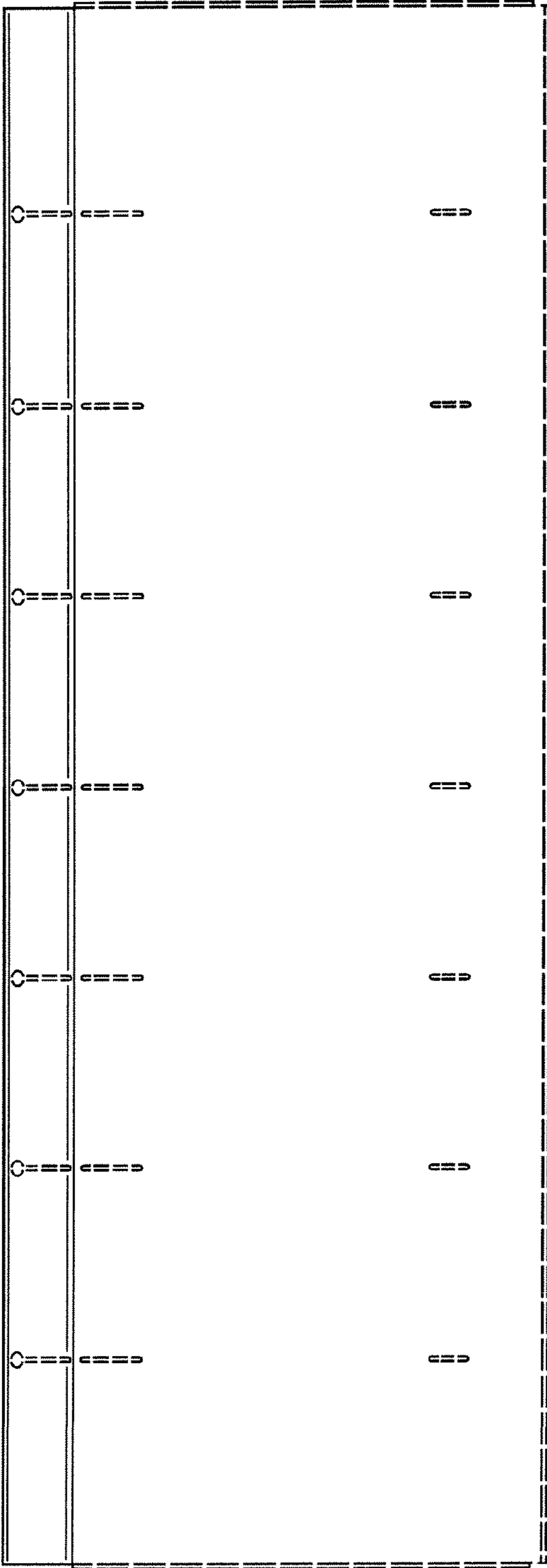


FIG. 2

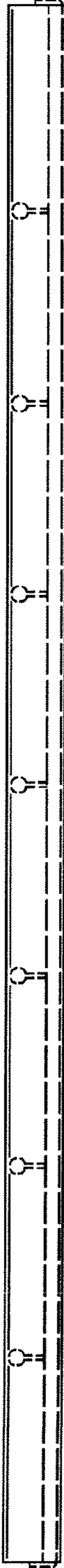


FIG. 3

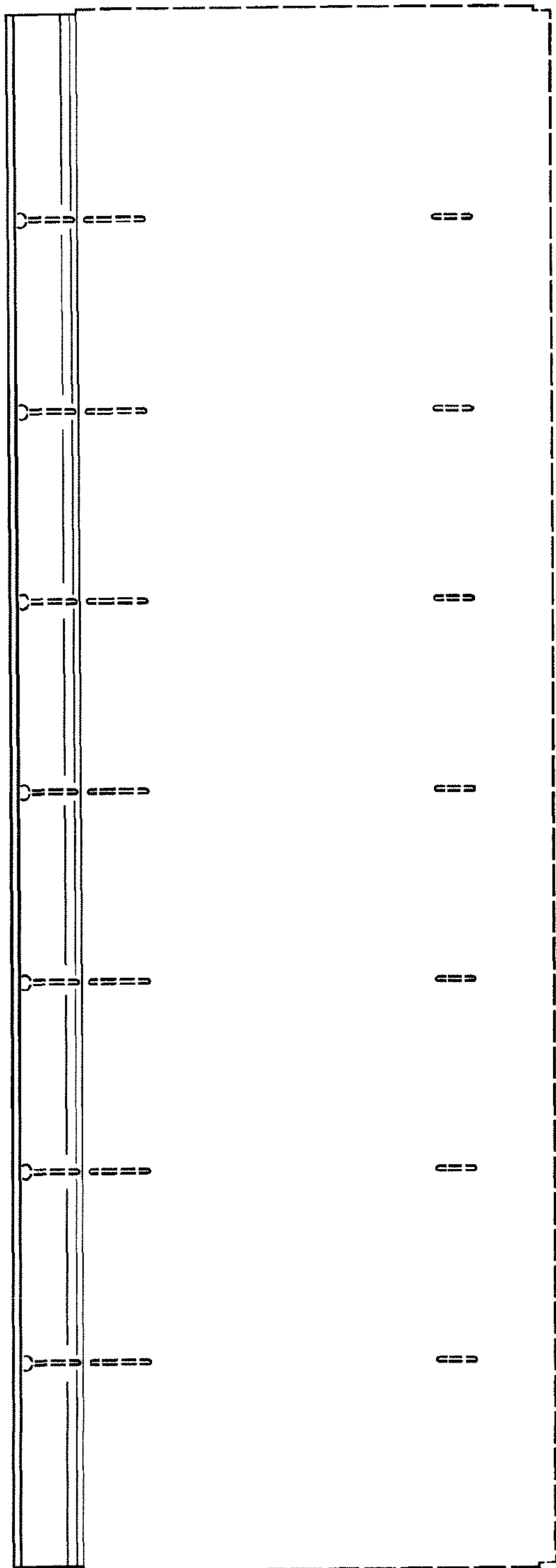


FIG. 4

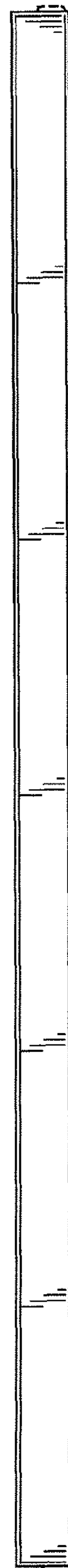


FIG. 5

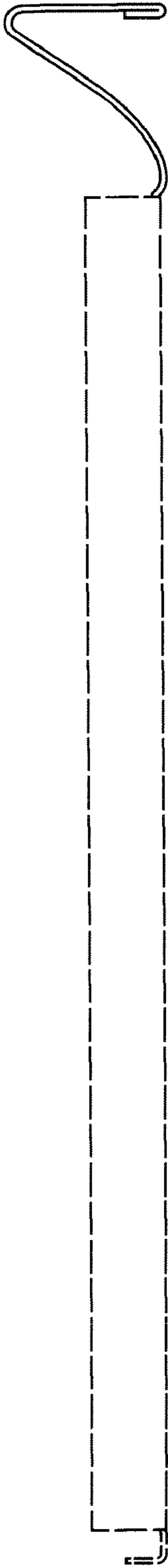


FIG. 6