



US00D643654S

(12) **United States Design Patent**
Piretti

(10) **Patent No.:** **US D643,654 S**

(45) **Date of Patent:** **** Aug. 23, 2011**

(54) **CHAIR**

D305,285 S 1/1990 Piretti

(Continued)

(75) Inventor: **Giancarlo Piretti**, Bologna (IT)

Primary Examiner — Ricky Pham

(73) Assignee: **Pro-Cord S.p.A.**, Bologna (IT)

(74) *Attorney, Agent, or Firm* — Andrus, Scales, Starke & Sawall, LLP

(**) Term: **14 Years**

(21) Appl. No.: **29/379,819**

(57) **CLAIM**

The ornamental design for a chair, as shown and described.

(22) Filed: **Nov. 24, 2010**

Related U.S. Application Data

DESCRIPTION

(62) Division of application No. 29/319,333, filed on Jun. 6, 2008.

(51) **LOC (9) Cl.** **06-01**

(52) **U.S. Cl.** **D6/500; D6/341**

(58) **Field of Classification Search** D6/334–336,
D6/341, 360–369, 373–380, 498, 500–502,
D6/601; 297/40, 162, 173, 284.4–284.5,
297/291, 297, 300.4, 411.2, 411.27–411.29,
297/452.13, 452.19, 452.21, 452.29, 452.3,
297/452.56, 452.64

See application file for complete search history.

FIG. 1 is an isometric view of a chair incorporating my new design, wherein the portions in phantom illustrate environment and form no part of the claimed design;

FIG. 2 is a front elevation view thereof;

FIG. 3 is a right side elevation view thereof;

FIG. 4 is a rear elevation view thereof;

FIG. 5 is a left side elevation view thereof;

FIG. 6 is a top plan view thereof;

FIG. 7 is an isometric view of another embodiment of a chair incorporating my new design, which is similar to the embodiment illustrated in FIGS. 1 through 6 but in which a tablet is located on an opposite side, wherein the elevation and plan views thereof are the same as illustrated in FIGS. 2 through 6 with the exception that the tablet is located on the side opposite that illustrated therein;

FIG. 8 is an isometric view of another embodiment of a chair incorporating my new design, wherein the portions in phantom illustrate environment and form no part of the claimed design;

FIG. 9 is a front elevation view thereof;

FIG. 10 is a right side elevation view thereof;

FIG. 11 is a rear elevation view thereof;

FIG. 12 is a left side elevation view thereof;

FIG. 13 is a top plan view thereof; and,

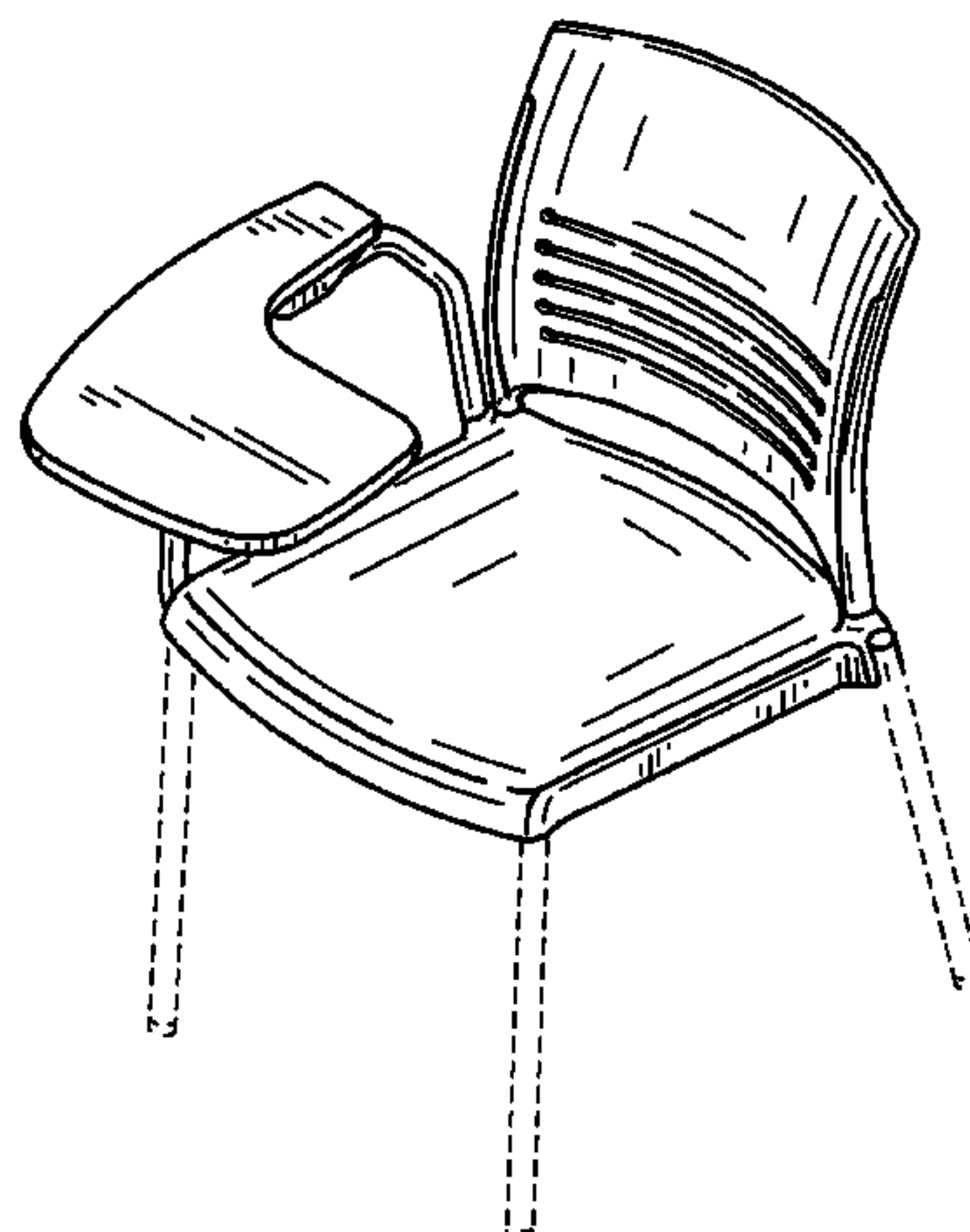
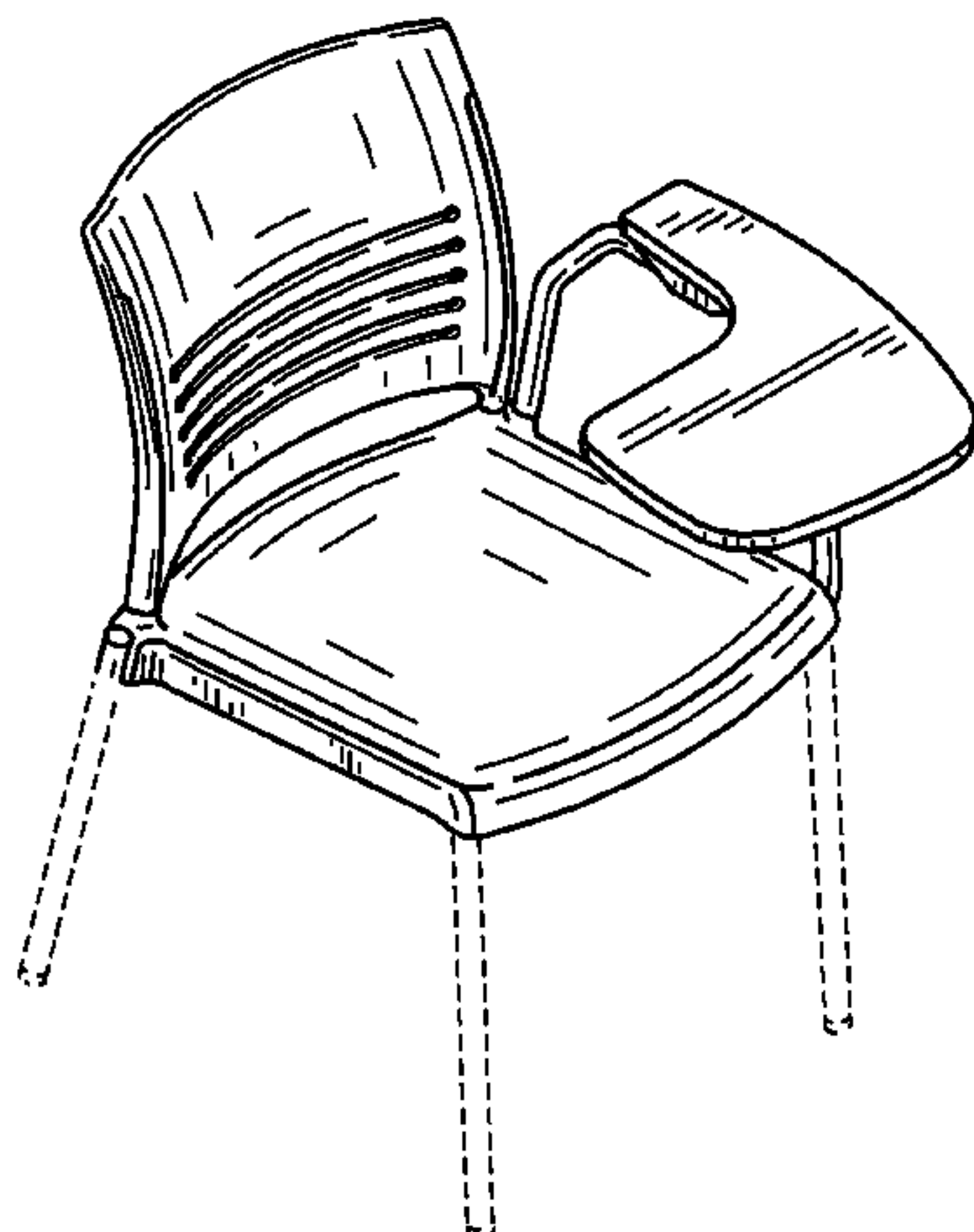
FIG. 14 is an isometric view of another embodiment of an arm version of a chair incorporating my new design, which is similar to the embodiment illustrated in FIGS. 8 through 13 but in which a tablet is located on an opposite side, wherein the elevation and plan views thereof are the same as illustrated in FIGS. 9 through 13 with the exception that the tablet is located on the side opposite that illustrated therein.

(56) **References Cited**

U.S. PATENT DOCUMENTS

2,719,574	A *	10/1955	Adler	297/40
D178,125	S *	6/1956	Hendrickson	D6/341
D190,588	S *	6/1961	Christenson et. al.	D6/341
3,024,065	A *	3/1962	Eves et al.	297/162
3,111,344	A	11/1963	Hoven et al.	
D202,264	S	9/1965	Albinson	
D214,315	S	6/1969	Bartholomew	
D249,407	S *	9/1978	Ambasz	D6/341
4,159,846	A *	7/1979	Tolleson	297/162
D272,587	S	2/1984	Pamberg	
D274,771	S	7/1984	Ambasz et al.	
D280,681	S *	9/1985	Rowland	D6/338
D284,048	S	6/1986	Ambasz et al.	
D289,120	S	4/1987	Chadwick et al.	
D292,149	S	10/1987	Monesi	
4,733,910	A	3/1988	Brennan	
D298,390	S	11/1988	Bellini	
D299,192	S	1/1989	Chadwick et al.	
D300,885	S	5/1989	Ochsner	

1 Claim, 8 Drawing Sheets



US D643,654 S

Page 2

U.S. PATENT DOCUMENTS

D352,183 S	11/1994	Sheridan		D592,876 S	5/2009	Smith et al.	
D370,360 S	6/1996	Fewchuk		D597,332 S	8/2009	Carmon	
D374,561 S	10/1996	Meijer		D599,125 S	9/2009	Piretti	
D378,553 S	3/1997	Newhouse		D600,052 S	9/2009	Smith et al.	
D385,425 S	10/1997	Goetz		D600,465 S	9/2009	Kumazawa	
D417,970 S	12/1999	Duffy et al.		D600,954 S	9/2009	Kumazawa	
6,073,997 A *	6/2000	Koh	297/173	D601,822 S	10/2009	Neil	
D433,578 S	11/2000	Saul		D602,268 S	10/2009	Viererbl	
D436,751 S	1/2001	Schacht		D602,276 S	10/2009	Neil	
D446,037 S	8/2001	Koepke et al.		D605,421 S	12/2009	Baldanzi	
D451,693 S	12/2001	Pearce et al.		D606,771 S	12/2009	Chadwick	
D455,570 S	4/2002	Kita		D607,654 S	1/2010	Fewchuk	
D457,739 S	5/2002	Pearce et al.		D607,661 S	1/2010	Chadwick	
6,412,869 B1	7/2002	Pearce		D609,035 S	2/2010	Muller	
6,669,301 B1	12/2003	Funk et al.		D609,487 S	2/2010	Kumazawa	
D509,671 S	9/2005	Olson et al.		D609,488 S	2/2010	Kumazawa	
D509,969 S	9/2005	Loew et al.		D610,816 S	3/2010	Keichel et al.	
D515,331 S	2/2006	Piretti		7,686,395 B2	3/2010	Piretti	
7,118,177 B2	10/2006	Piretti		D617,568 S	6/2010	Kumazawa	
D540,559 S	4/2007	Neil		D618,004 S	6/2010	DeSanta et al.	
D564,264 S	3/2008	Smith et al.		7,731,277 B2 *	6/2010	Weber et al.	297/162
D574,646 S	8/2008	Su		2002/0117883 A1	8/2002	Gevaert	
D579,226 S	10/2008	Pinaffo et al.		2003/0164635 A1	9/2003	Batthey et al.	
D583,162 S	12/2008	Vallet et al.					
D587,477 S	3/2009	Neil					

* cited by examiner

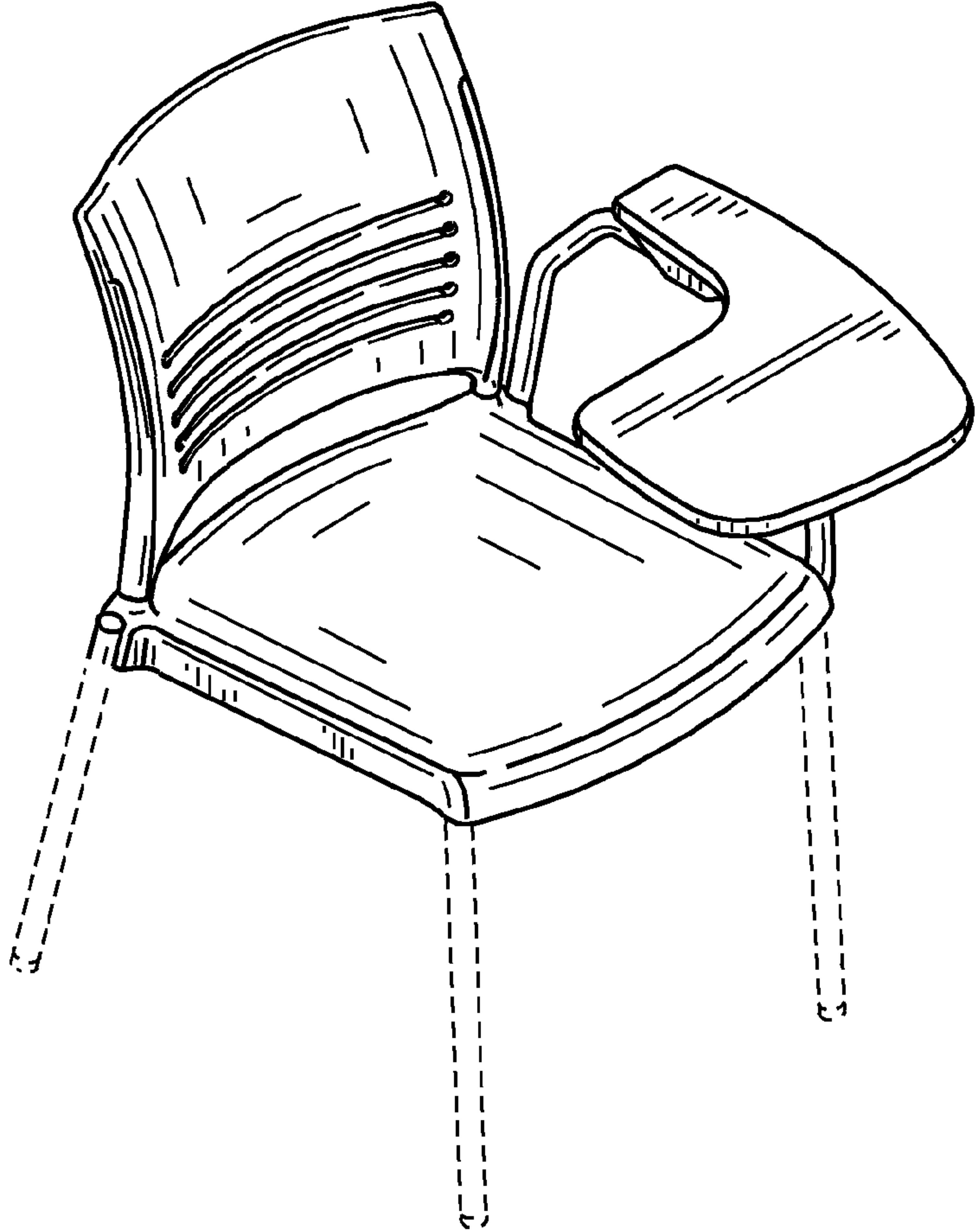


FIG. 1

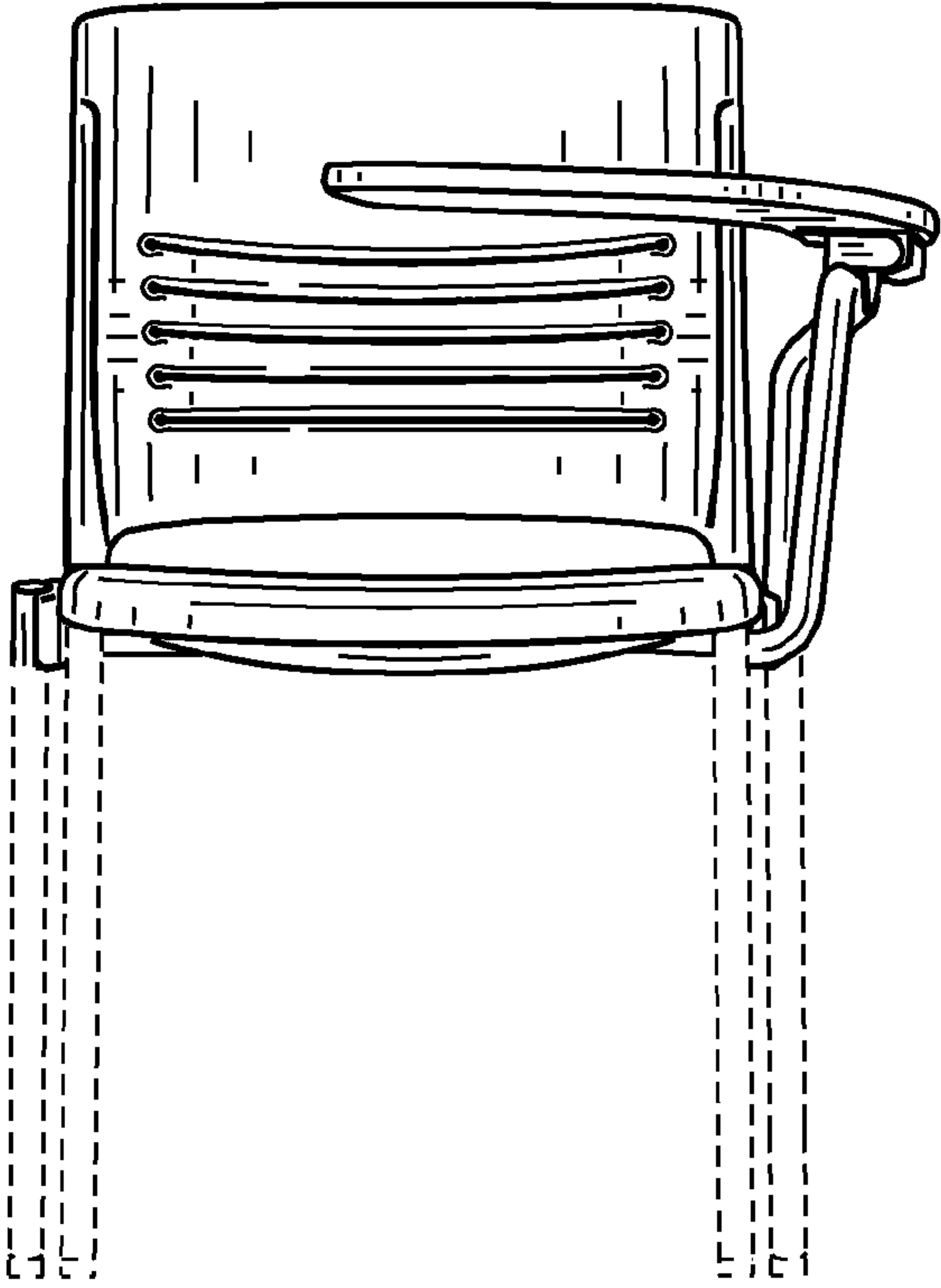


FIG. 2

FIG. 3

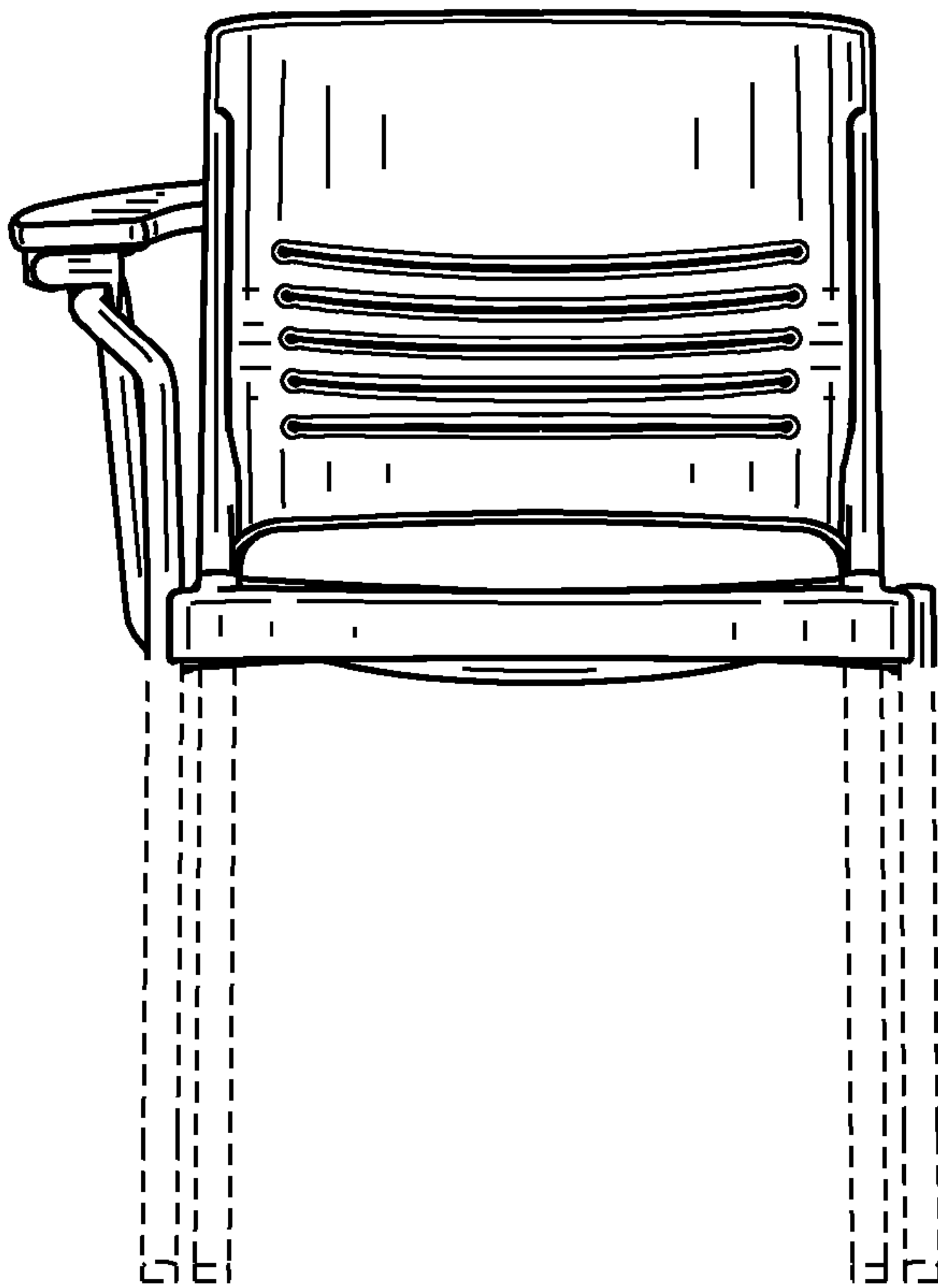
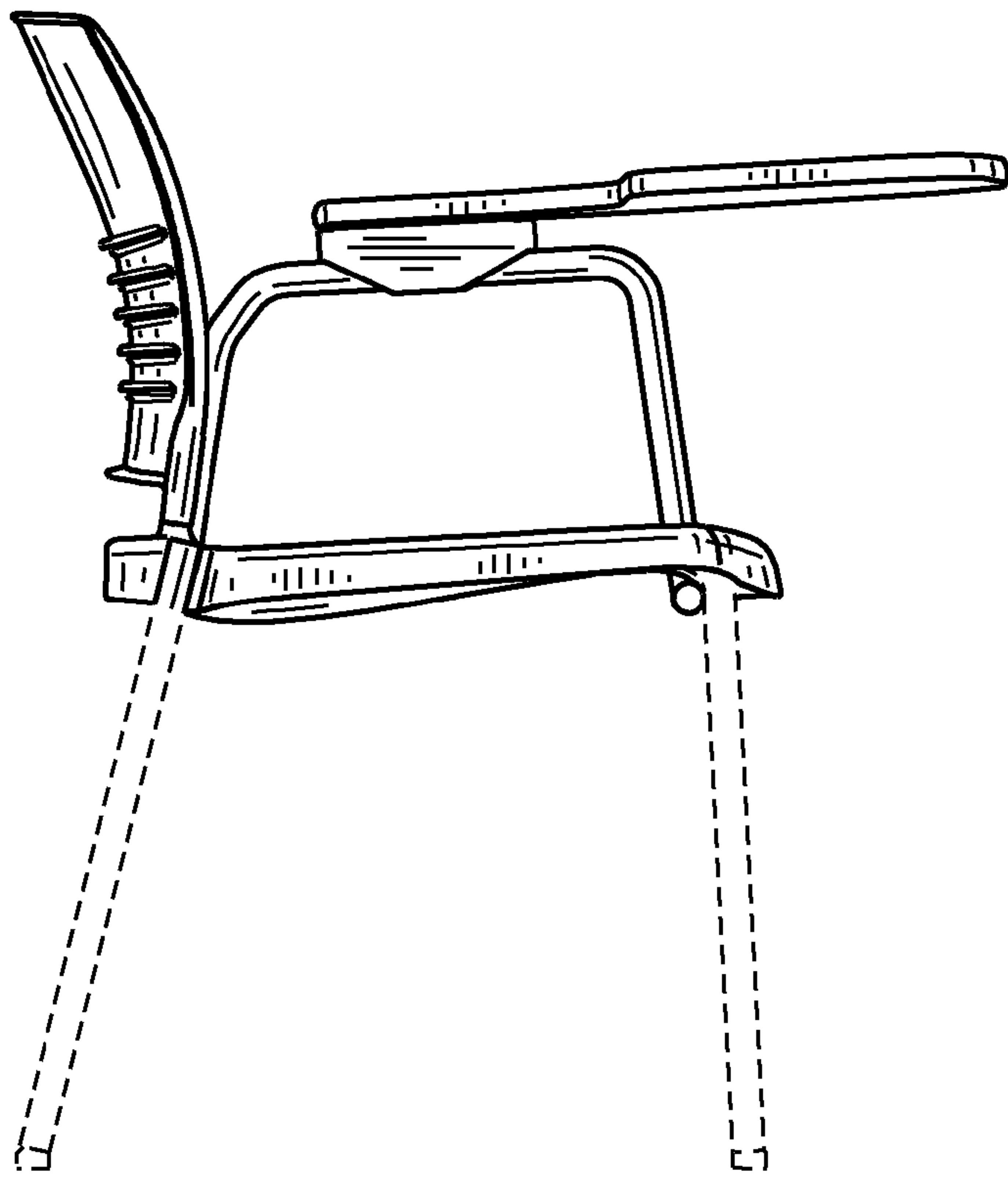


FIG. 4

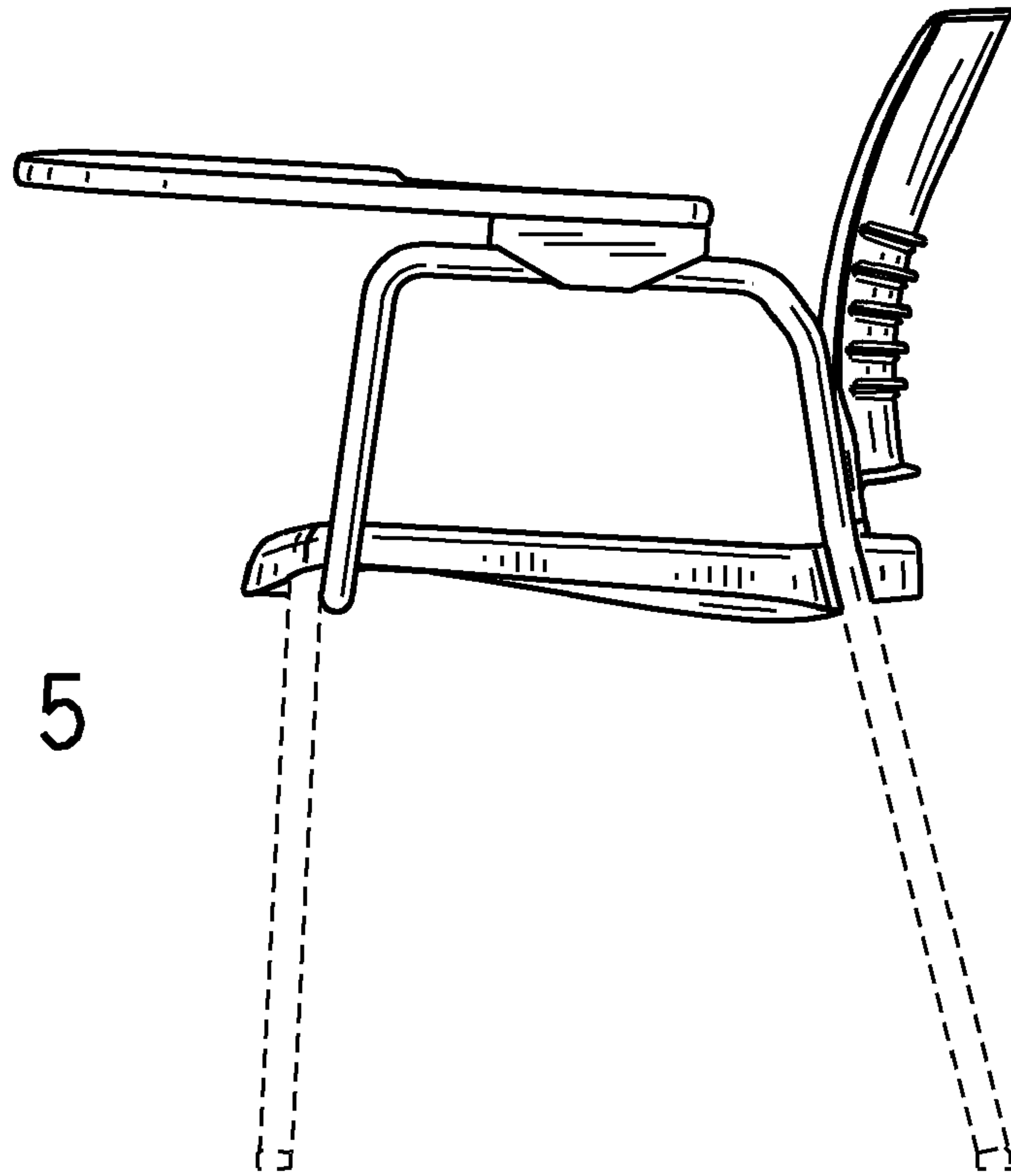


FIG. 5

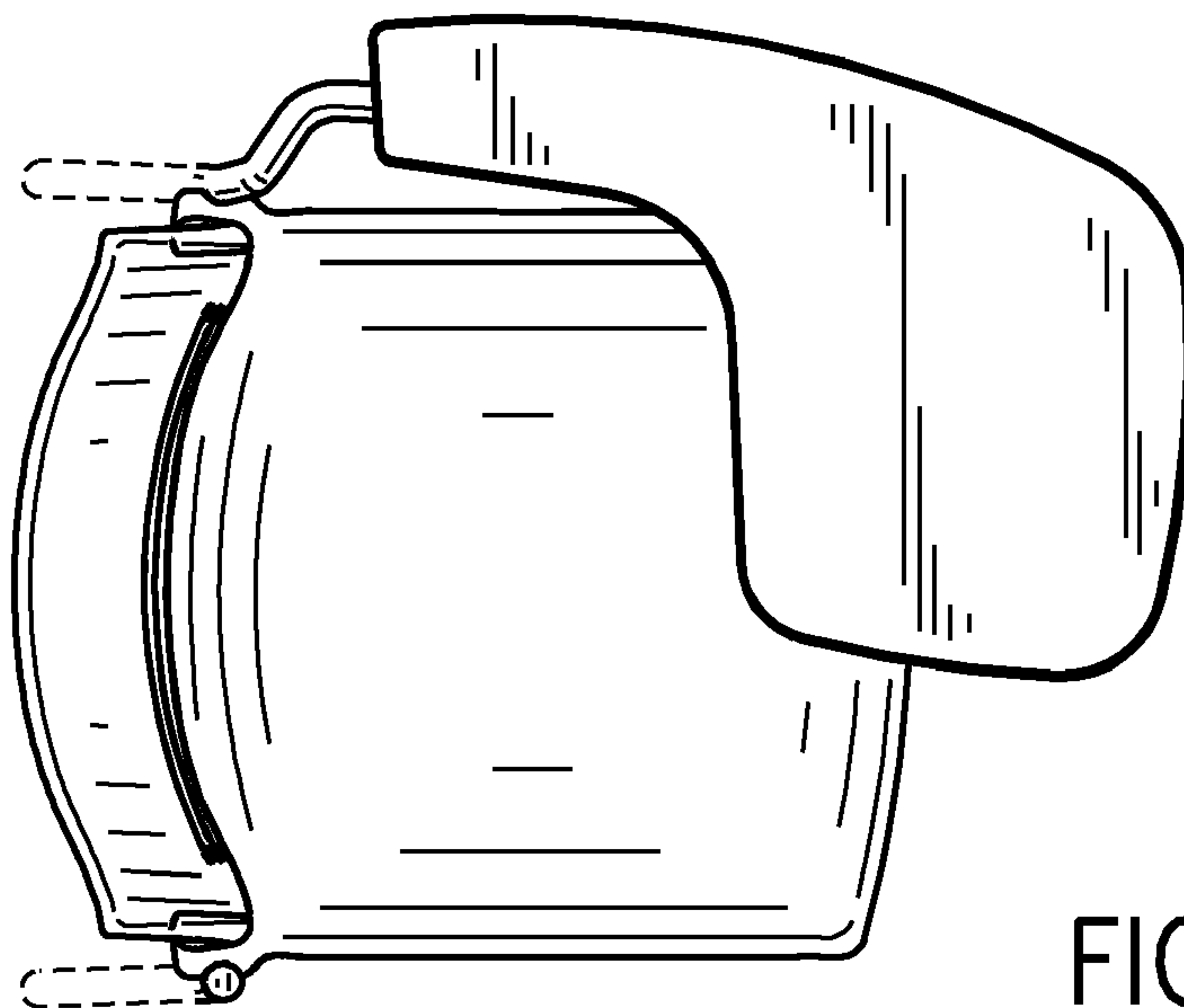


FIG. 6

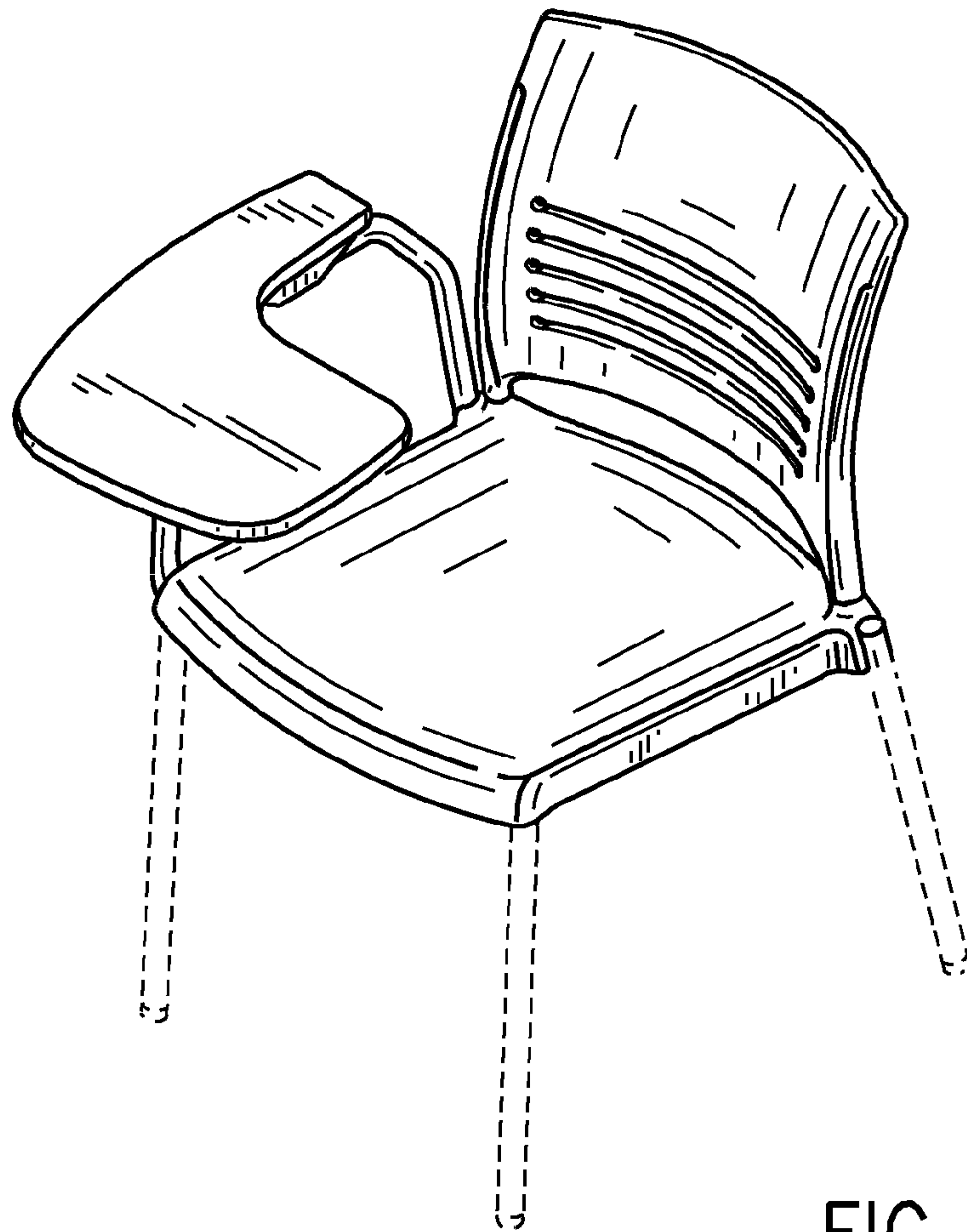


FIG. 7

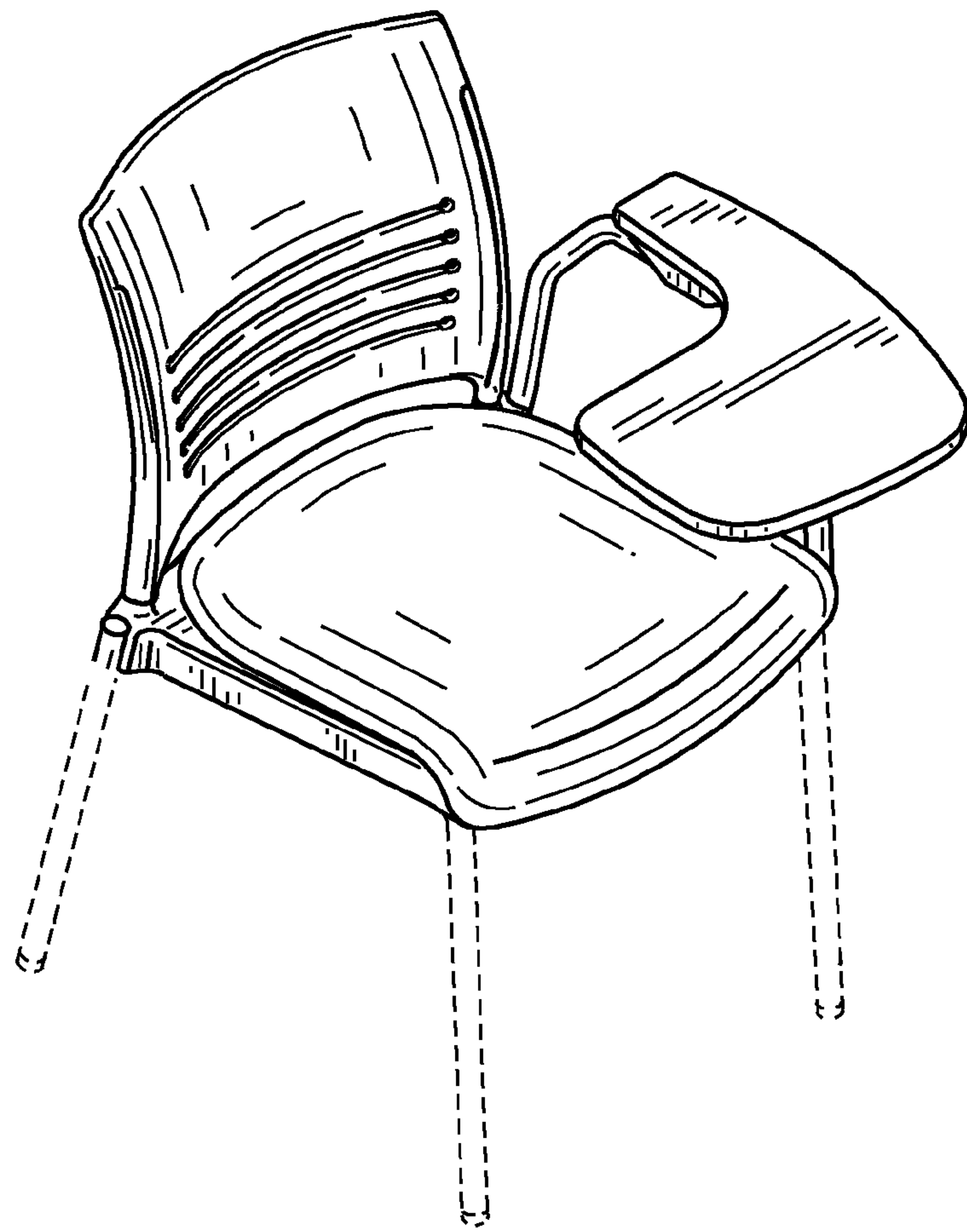


FIG. 8

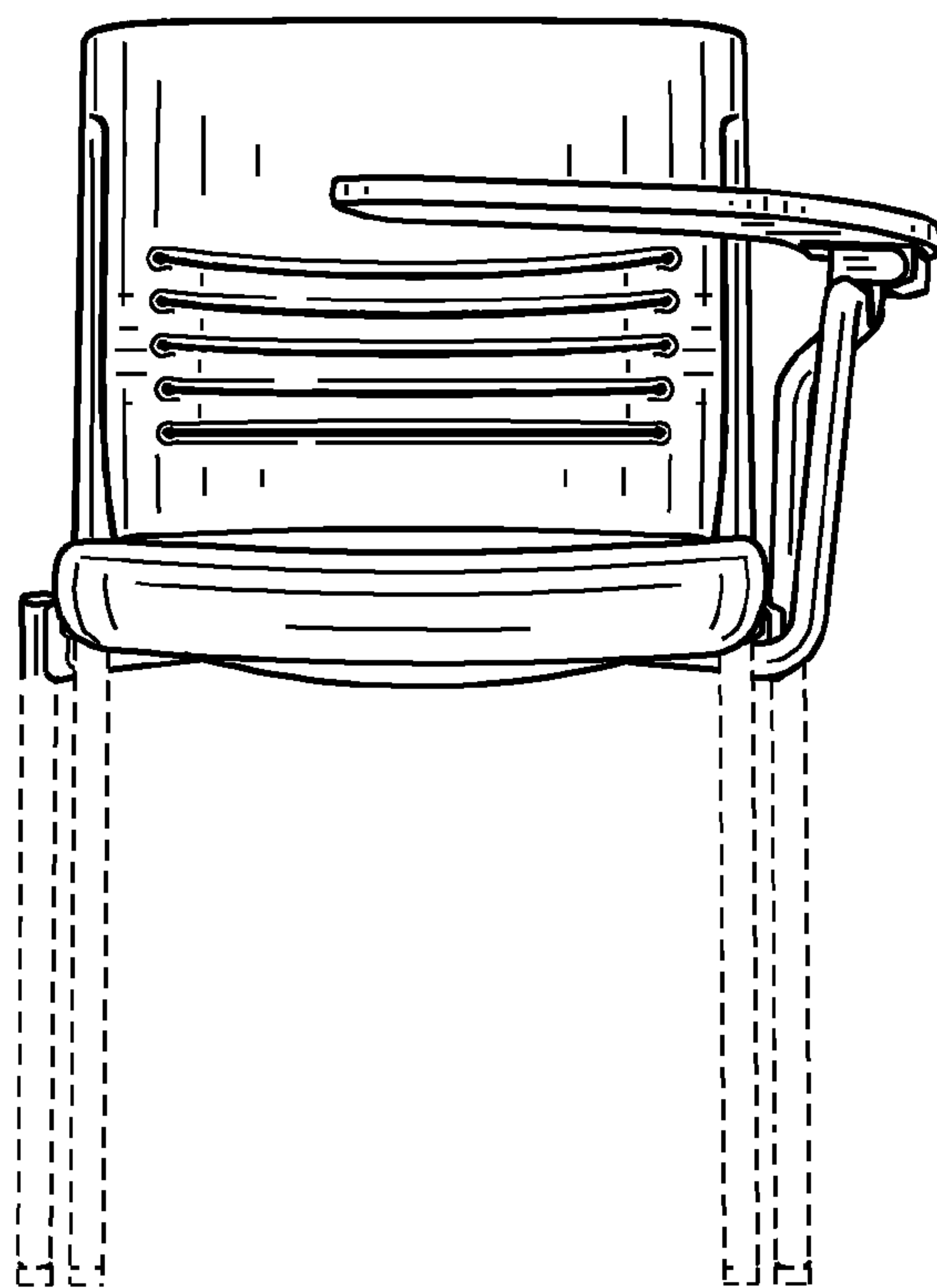


FIG. 9

FIG. 10

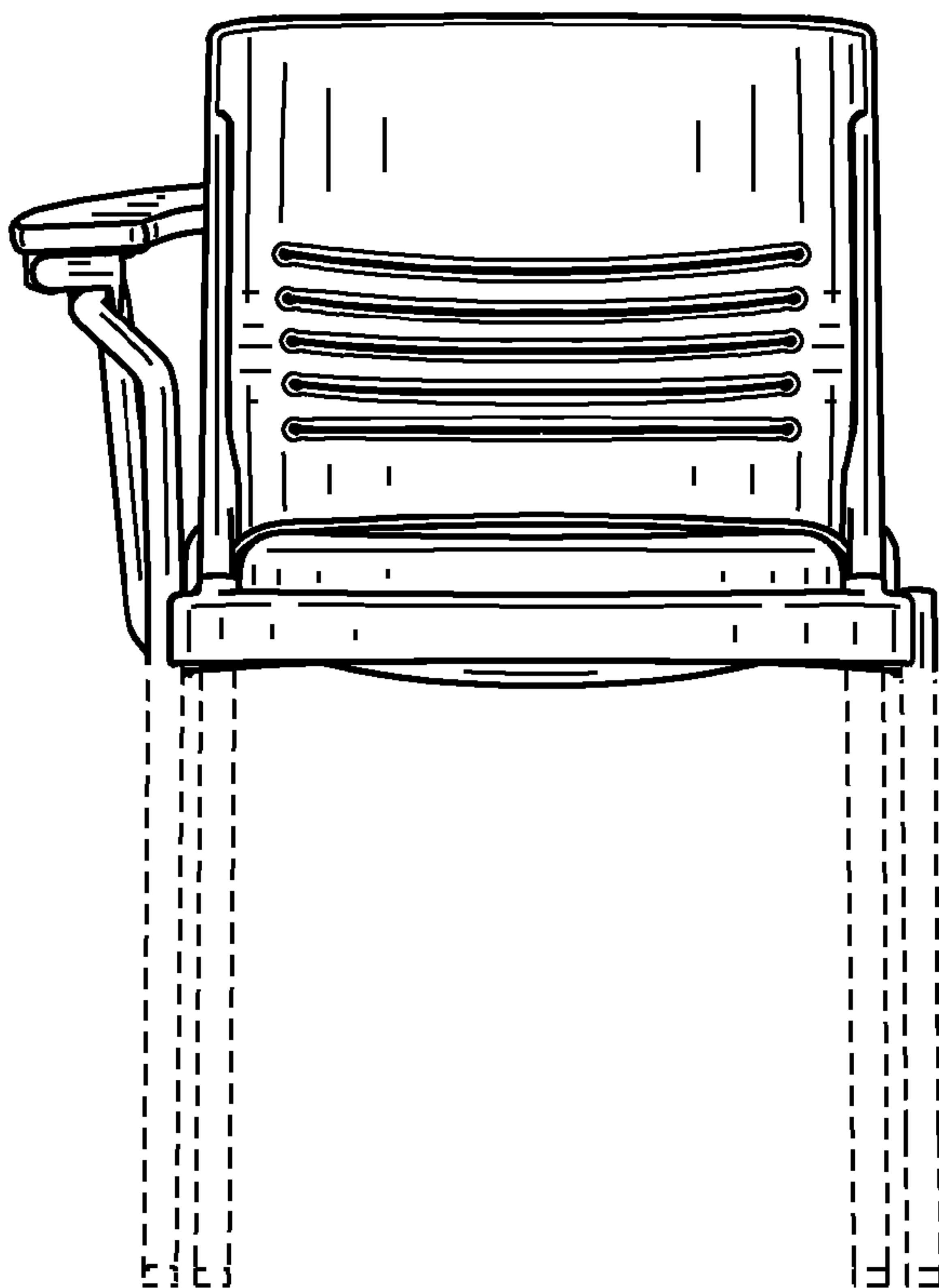
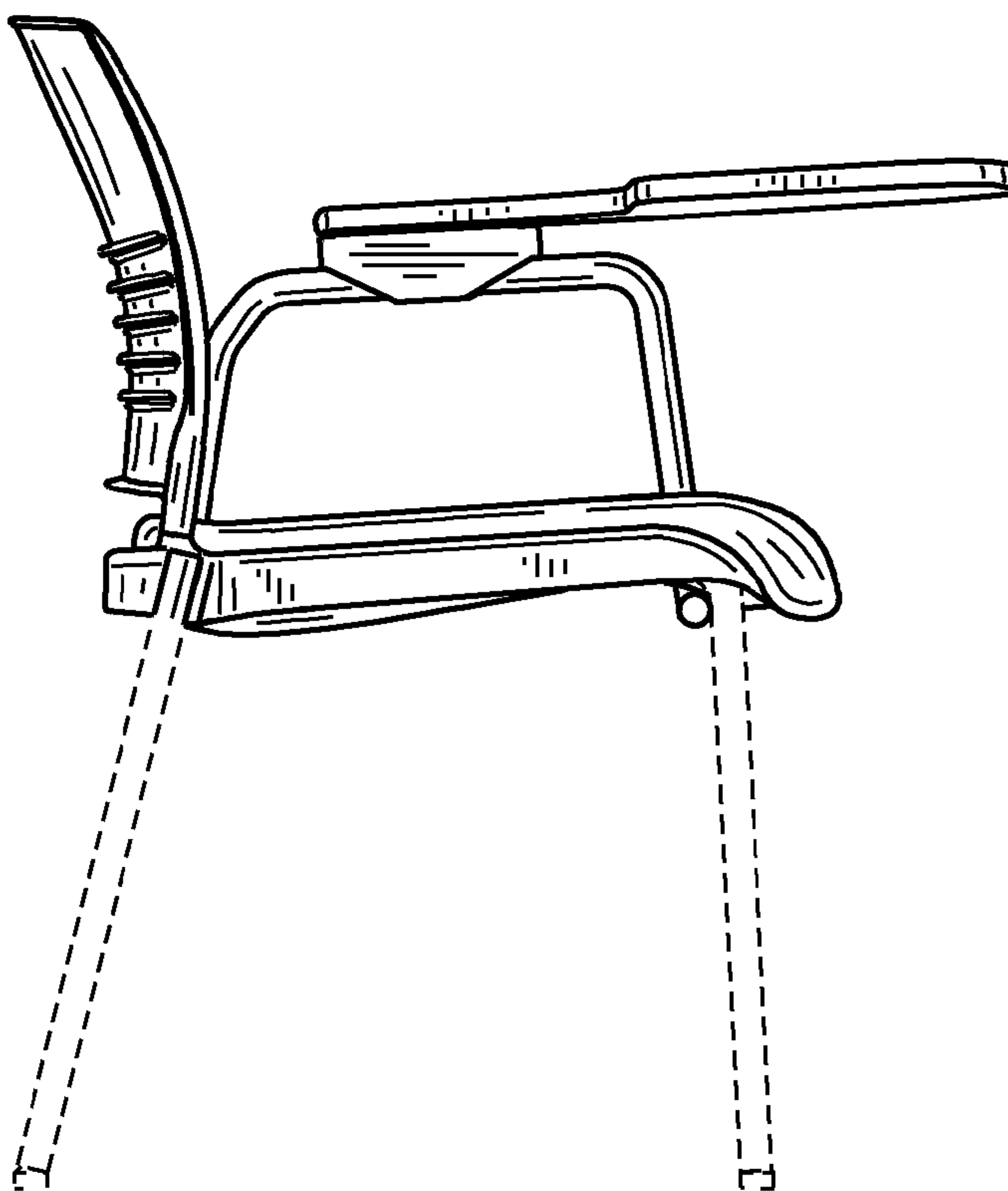


FIG. 11

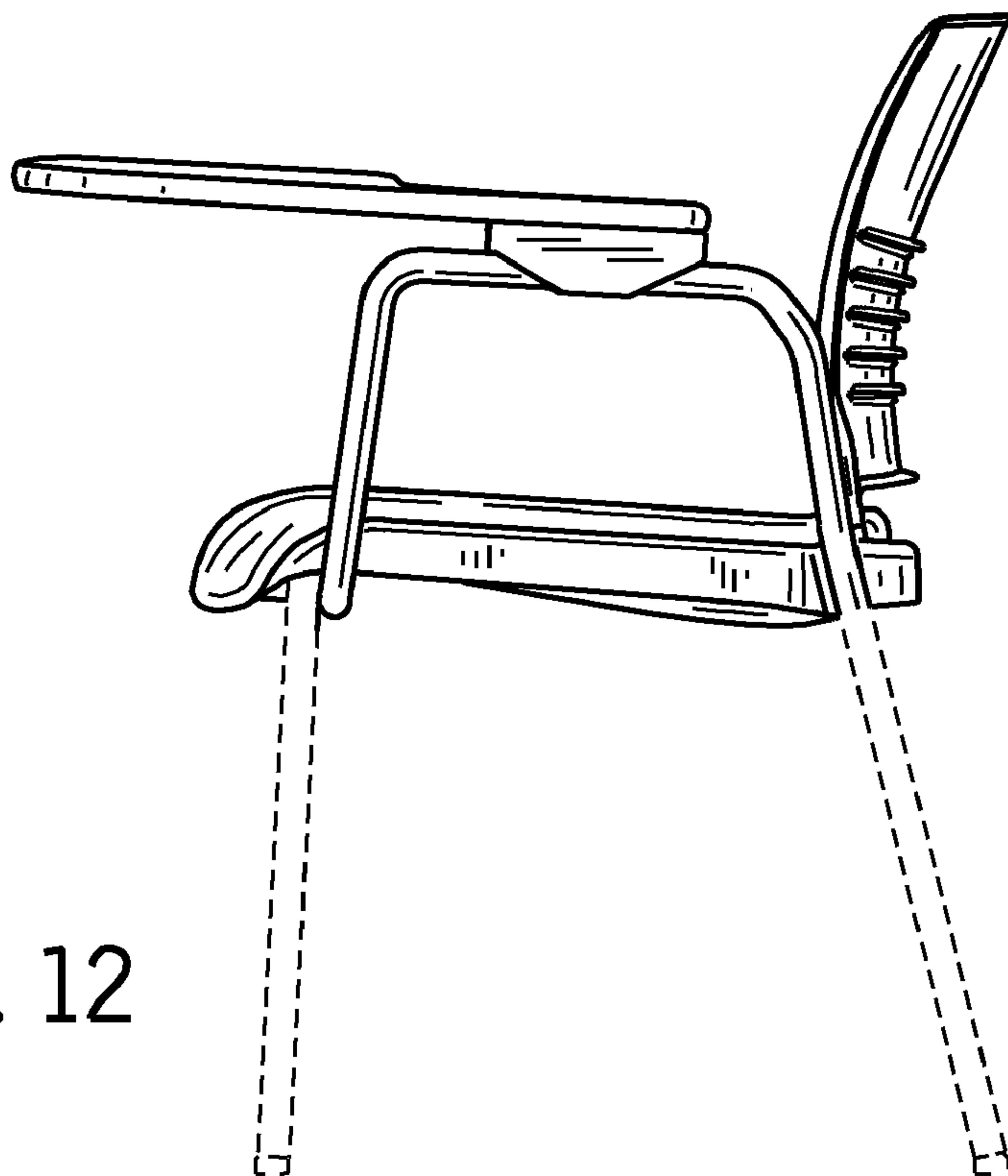


FIG. 12

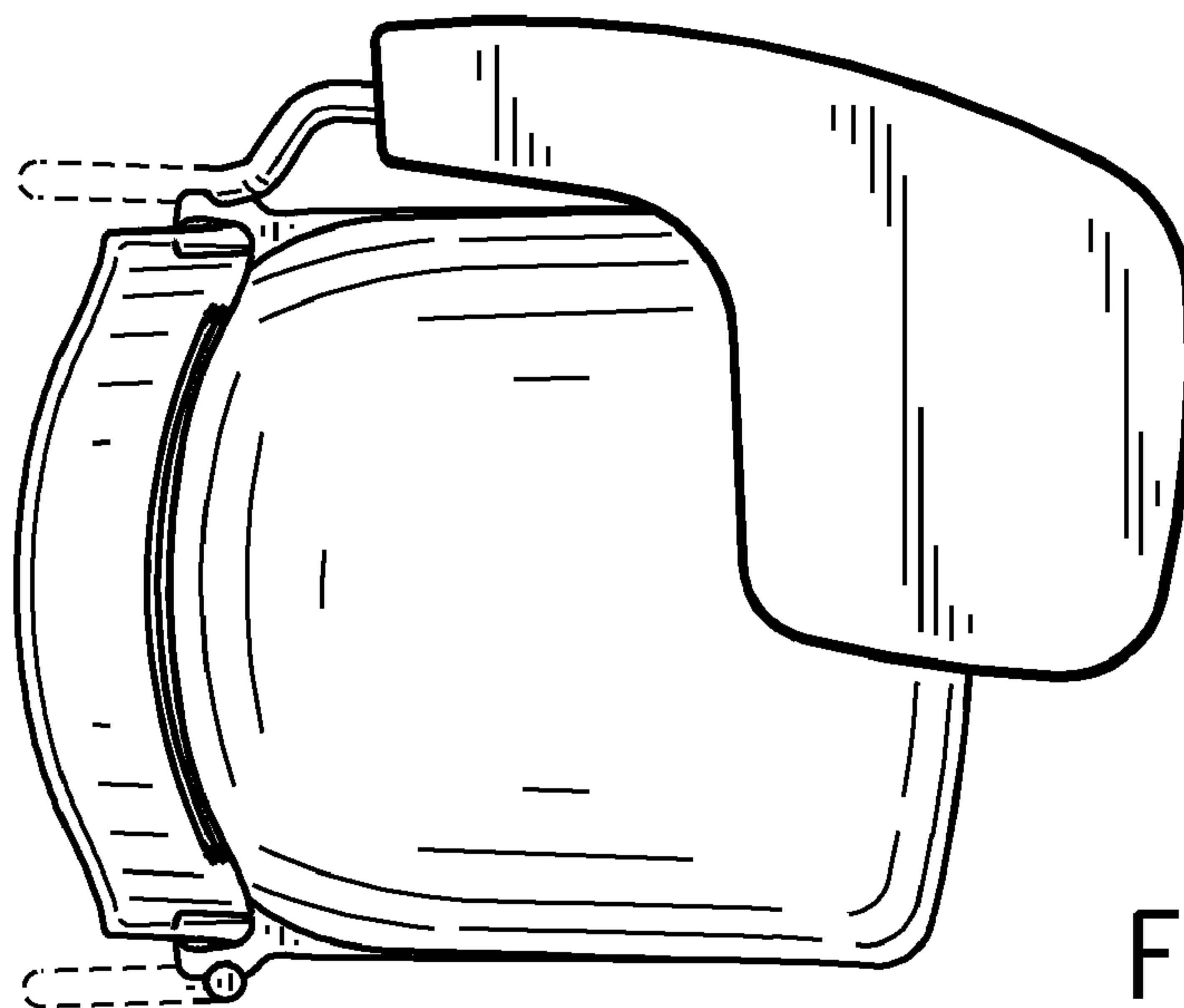


FIG. 13

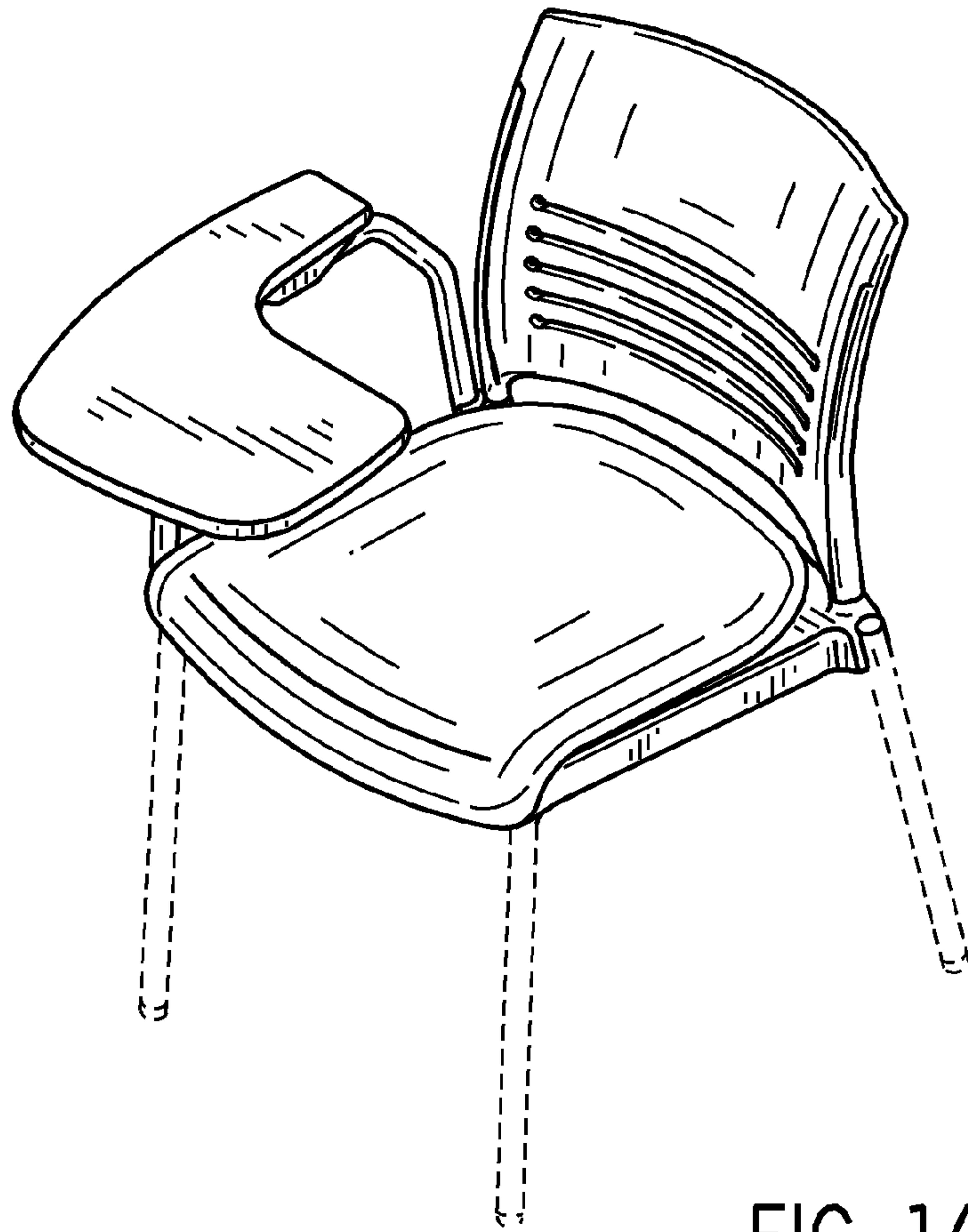


FIG. 14