



US00D643653S

(12) **United States Design Patent**
Piretti

(10) **Patent No.:** **US D643,653 S**

(45) **Date of Patent:** **** Aug. 23, 2011**

(54) **CHAIR**

(75) Inventor: **Giancarlo Piretti**, Bologna (IT)

(73) Assignee: **Pro-Cord S.p.A.**, Bologna (IT)

(**) Term: **14 Years**

(21) Appl. No.: **29/379,813**

(22) Filed: **Nov. 24, 2010**

Related U.S. Application Data

(62) Division of application No. 29/319,333, filed on Jun. 6, 2008.

(51) **LOC (9) Cl.** **06-01**

(52) **U.S. Cl.** **D6/500; D6/380**

(58) **Field of Classification Search** D6/334-336,
D6/360-369, 372-380, 498, 500-502, 601;
297/239, 284.4-284.5, 291, 297, 300.4, 301.3,
297/411.2, 411.27-411.29, 452.1, 452.13,
297/452.19, 452.21, 452.29, 452.3, 452.56,
297/452.64

See application file for complete search history.

(56) **References Cited**

U.S. PATENT DOCUMENTS

| | | | |
|--------------|---------|-----------------|--------|
| 3,111,344 A | 11/1963 | Hoven et al. | |
| D202,264 S | 9/1965 | Albinson | |
| D202,775 S * | 11/1965 | Rowland | D6/373 |
| D214,315 S | 6/1969 | Bartholomew | |
| D272,587 S | 2/1984 | Pamberg | |
| D274,771 S | 7/1984 | Ambasz et al. | |
| D284,048 S | 6/1986 | Ambasz et al. | |
| D289,120 S | 4/1987 | Chadwick et al. | |
| D292,149 S | 10/1987 | Monesi | |
| 4,733,910 A | 3/1988 | Brennan | |
| D298,390 S | 11/1988 | Bellini | |
| D299,192 S | 1/1989 | Chadwick et al. | |
| D300,885 S | 5/1989 | Ochsner | |
| D305,285 S | 1/1990 | Piretti | |
| D352,183 S | 11/1994 | Sheridan | |
| D367,185 S * | 2/1996 | Olson | D6/373 |
| D370,360 S | 6/1996 | Fewchuk | |
| D374,561 S | 10/1996 | Meijer | |

| | | | |
|--------------|---------|--------------|--------|
| D378,553 S | 3/1997 | Newhouse | |
| D385,425 S | 10/1997 | Goetz | |
| D390,024 S * | 2/1998 | DeJule | D6/373 |
| D417,970 S | 12/1999 | Duffy et al. | |
| D422,158 S * | 4/2000 | Newhouse | D6/375 |
| D422,424 S * | 4/2000 | Gehry et al. | D6/375 |

(Continued)

Primary Examiner — Ricky Pham

(74) *Attorney, Agent, or Firm* — Andrus, Scales, Starke & Sawall, LLP

(57) **CLAIM**

The ornamental design for a chair, as shown and described.

DESCRIPTION

FIG. 1 an isometric view of an armless chair incorporating my new design, wherein the portions in phantom illustrate environment and form no part of the claimed design;

FIG. 2 is a front elevation view thereof;

FIG. 3 is a right side elevation view thereof, wherein the left side elevation view is a mirror image;

FIG. 4 is a rear elevation view thereof;

FIG. 5 is a top plan view thereof;

FIG. 6 an isometric view of another embodiment of an armless version of a chair incorporating my new design, wherein the portions in phantom illustrate environment and form no part of the claimed design;

FIG. 7 is a front elevation view thereof;

FIG. 8 is a right side elevation view thereof, wherein the left side elevation view is a mirror image;

FIG. 9 is a rear elevation view thereof;

FIG. 10 is a top plan view thereof;

FIG. 11 is an isometric view of another embodiment of an armless version of a chair incorporating my new design, wherein the portions in phantom illustrate environment and form no part of the claimed design;

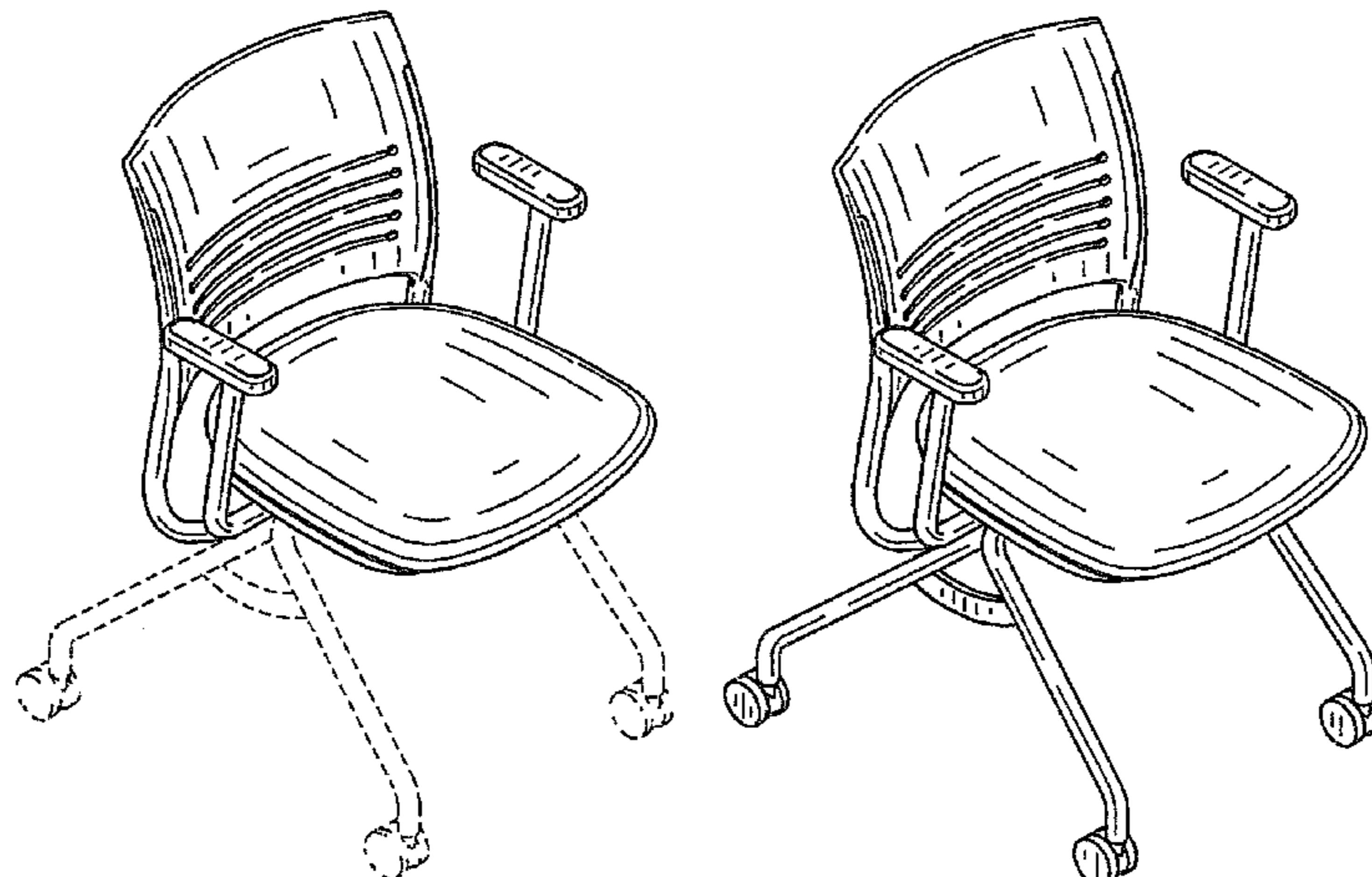
FIG. 12 is a front elevation view thereof;

FIG. 13 is a right side elevation view thereof, wherein the left side elevation view is a mirror image;

FIG. 14 is a rear elevation view thereof; and,

FIG. 15 is a top plan view thereof.

1 Claim, 6 Drawing Sheets



US D643,653 S

Page 2

U.S. PATENT DOCUMENTS

| | | | | | | | | | |
|-----------|------|---------|----------------------|-----------|--------------|-----|---------|----------------|--------|
| 6,109,696 | A * | 8/2000 | Newhouse et al. | 297/452.1 | D579,226 | S | 10/2008 | Pinaffo et al. | |
| D433,578 | S | 11/2000 | Saul | | D583,162 | S | 12/2008 | Vallet et al. | |
| D436,751 | S | 1/2001 | Schacht | | D587,027 | S * | 2/2009 | Igarashi | D6/380 |
| D436,768 | S * | 1/2001 | Jenkins et al. | D6/500 | D587,477 | S | 3/2009 | Neil | |
| D451,693 | S | 12/2001 | Pearce et al. | | D592,876 | S | 5/2009 | Smith et al. | |
| D455,570 | S | 4/2002 | Kita | | D594,669 | S * | 6/2009 | Asano | D6/376 |
| D457,739 | S | 5/2002 | Pearce et al. | | D595,072 | S * | 6/2009 | Su | D6/502 |
| 6,412,869 | B1 | 7/2002 | Pearce | | D597,332 | S | 8/2009 | Carmon | |
| D466,037 | S | 11/2002 | Huehner et al. | | D599,125 | S | 9/2009 | Piretti | |
| 6,669,301 | B1 | 12/2003 | Funk et al. | | D600,052 | S | 9/2009 | Smith et al. | |
| 6,679,553 | B2 * | 1/2004 | Batthey et al. | 297/300.4 | D600,465 | S | 9/2009 | Kumazawa | |
| D508,338 | S * | 8/2005 | Ambasz | D6/373 | D600,936 | S * | 9/2009 | Koh | D6/376 |
| D508,339 | S * | 8/2005 | Astle | D6/374 | D600,953 | S * | 9/2009 | Kumazawa | D6/502 |
| D509,671 | S | 9/2005 | Olson et al. | | D600,954 | S | 9/2009 | Kumazawa | |
| D509,969 | S | 9/2005 | Loew et al. | | D601,822 | S | 10/2009 | Neil | |
| 6,957,860 | B1 * | 10/2005 | Leist et al. | 297/239 | D602,268 | S | 10/2009 | Viererbl | |
| D513,134 | S * | 12/2005 | Asano et al. | D6/380 | D602,276 | S | 10/2009 | Neil | |
| D513,457 | S * | 1/2006 | Asano et al. | D6/380 | D605,421 | S | 12/2009 | Baldanzi | |
| D513,670 | S * | 1/2006 | Yamagata | D6/380 | D606,771 | S | 12/2009 | Chadwick | |
| D515,331 | B1 | 2/2006 | Piretti | | D607,654 | S | 1/2010 | Fewchuk | |
| D516,830 | S * | 3/2006 | Leist et al. | D6/373 | D607,661 | S | 1/2010 | Chadwick | |
| D518,304 | S * | 4/2006 | Crescenti | D6/373 | D609,035 | S | 2/2010 | Muller | |
| 7,118,177 | B2 | 10/2006 | Piretti | | D609,487 | S | 2/2010 | Kumazawa | |
| D536,884 | S * | 2/2007 | Meda | D6/334 | D609,488 | S | 2/2010 | Kumazawa | |
| D540,559 | S | 4/2007 | Neil | | D610,816 | S | 3/2010 | Keichel et al. | |
| D541,068 | S * | 4/2007 | Foster | D6/374 | 7,686,395 | B2 | 3/2010 | Piretti | |
| D546,574 | S * | 7/2007 | Kaloustian | D6/374 | D617,568 | S | 6/2010 | Kumazawa | |
| 7,237,841 | B2 * | 7/2007 | Norman et al. | 297/301.3 | D618,004 | S | 6/2010 | DeSanta et al. | |
| D550,977 | S * | 9/2007 | Igarashi | D6/372 | 2002/0117883 | A1 | 8/2002 | Gevaert | |
| D564,264 | S | 3/2008 | Smith et al. | | 2003/0164635 | A1 | 9/2003 | Batthey et al. | |
| D574,646 | S | 8/2008 | Su | | | | | | |

* cited by examiner

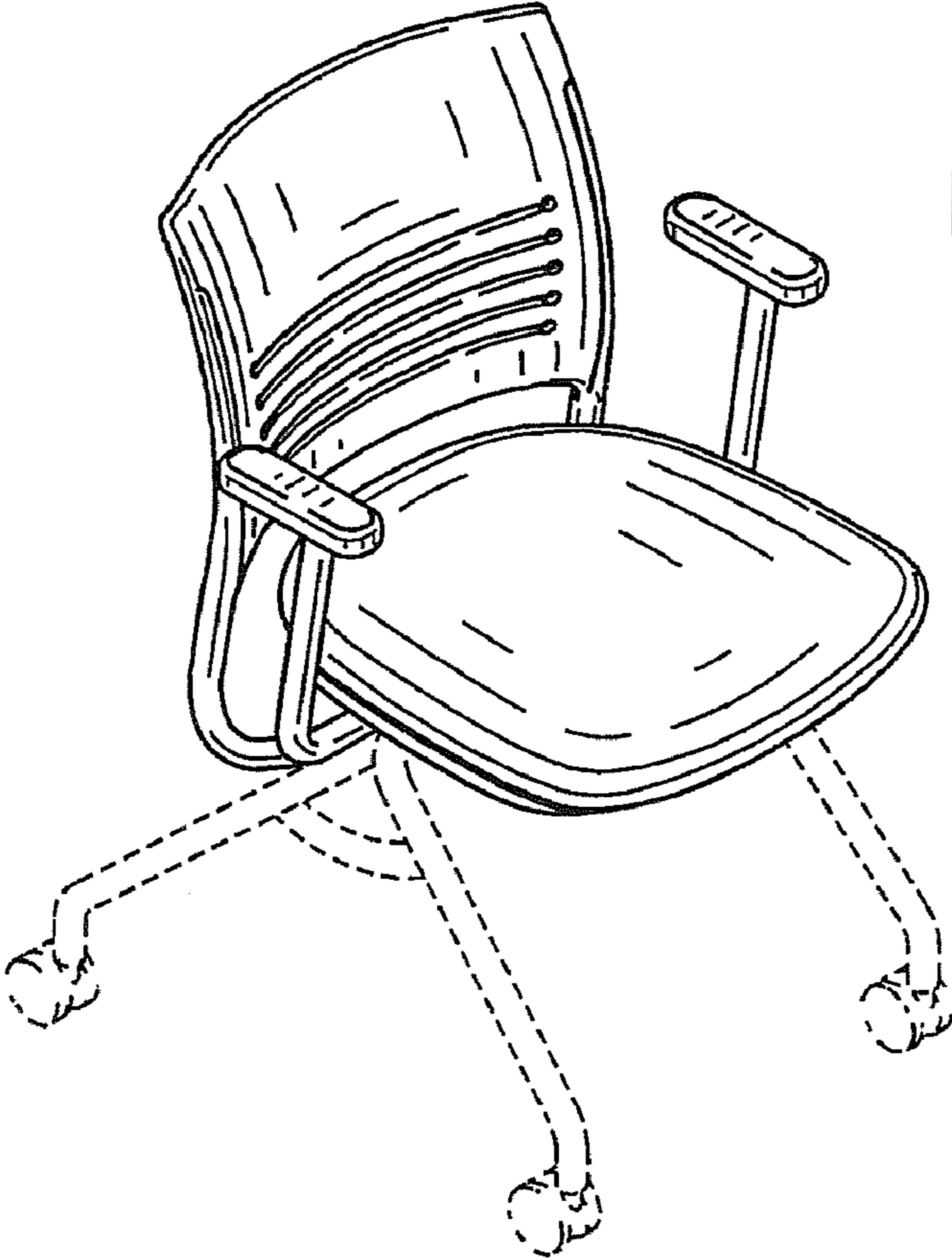


FIG. 1

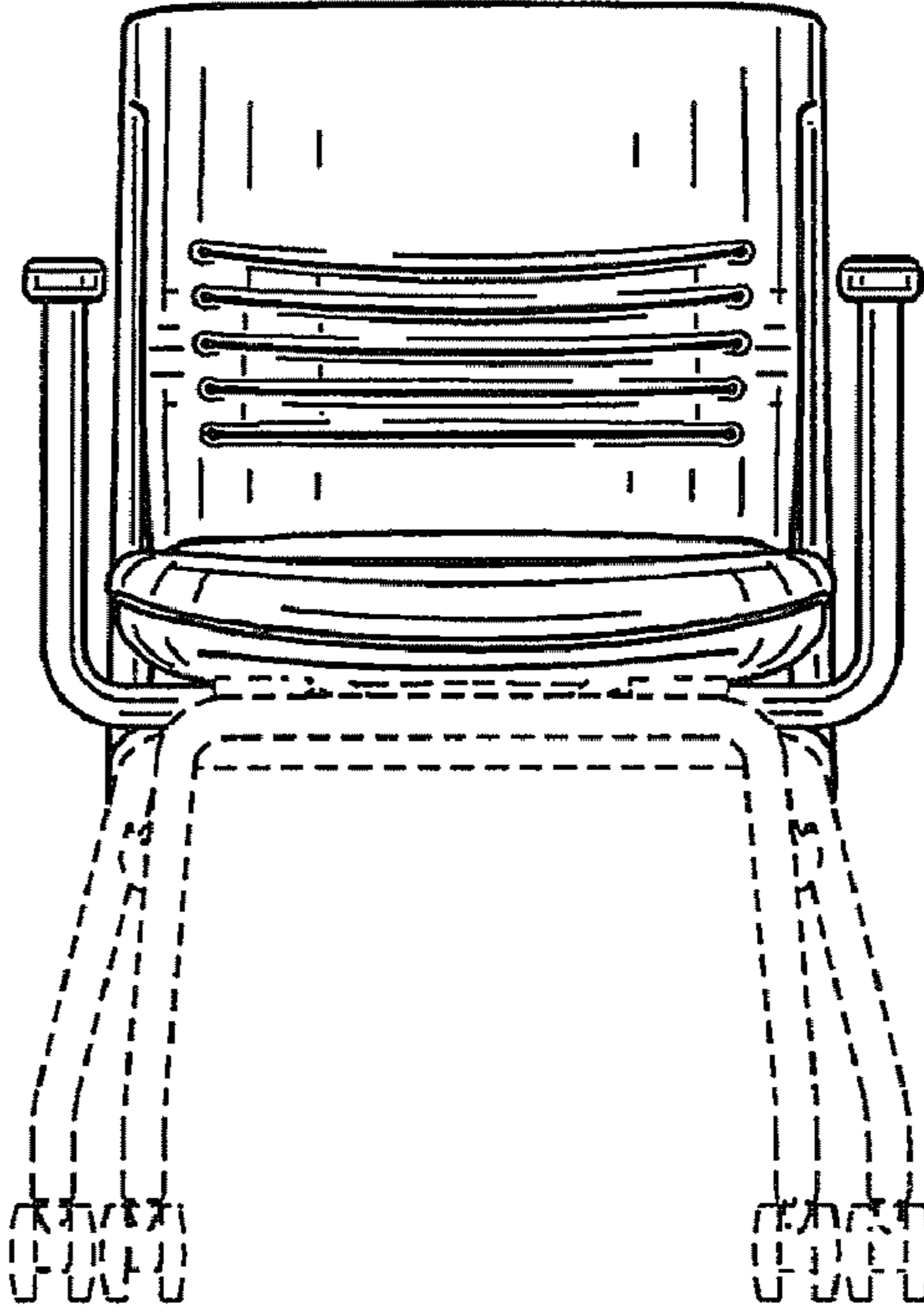


FIG. 2

FIG. 3

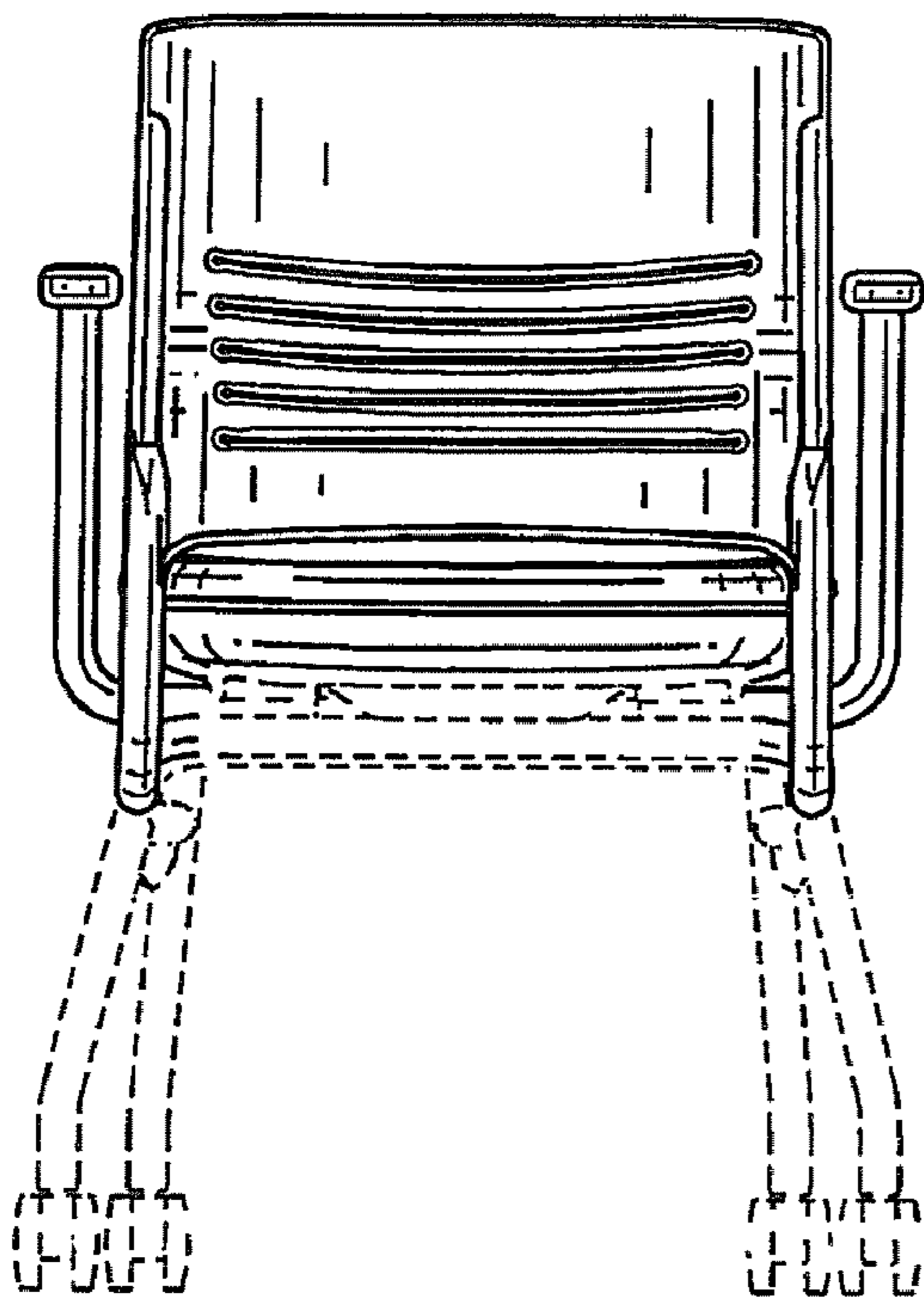
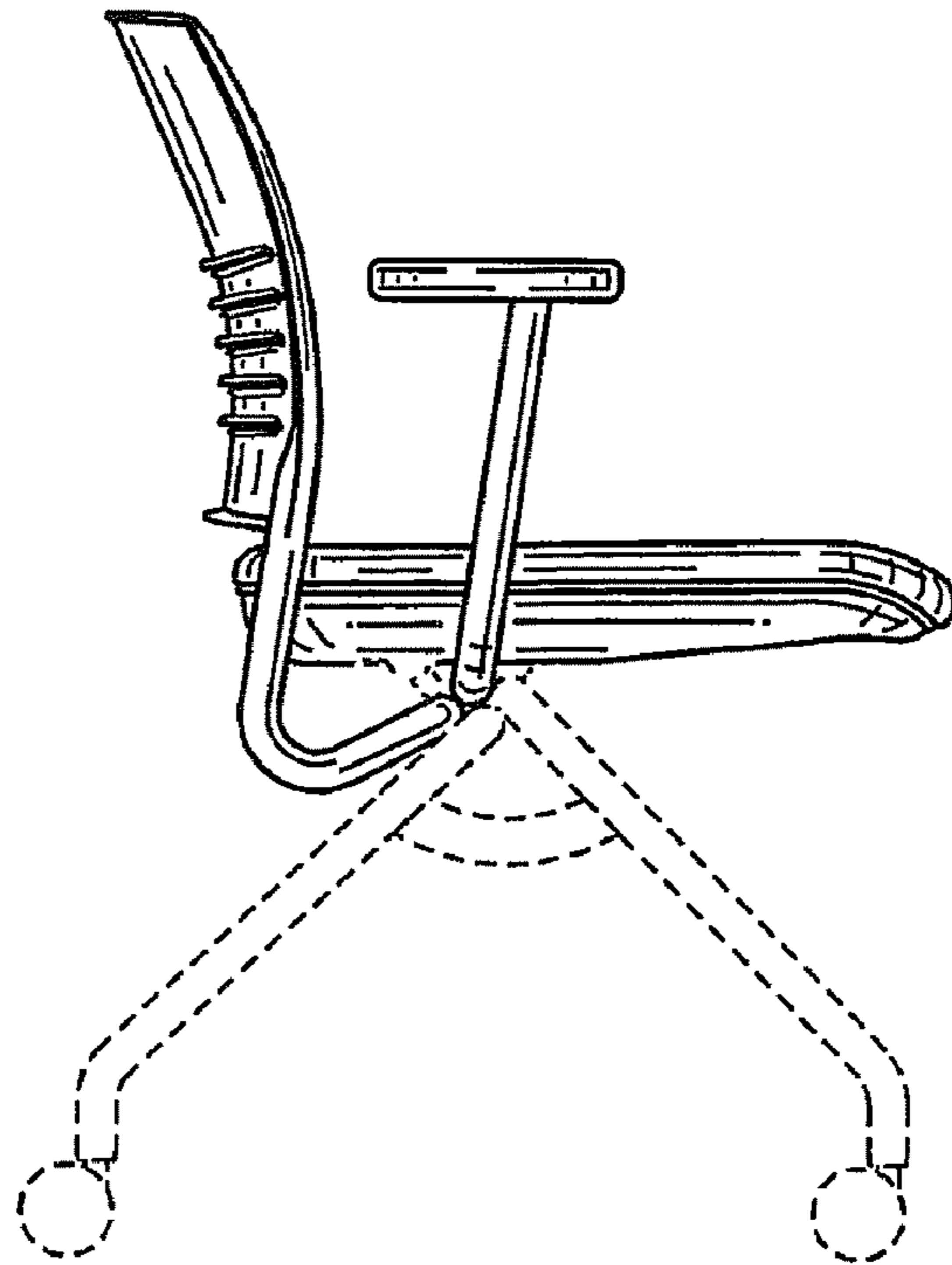
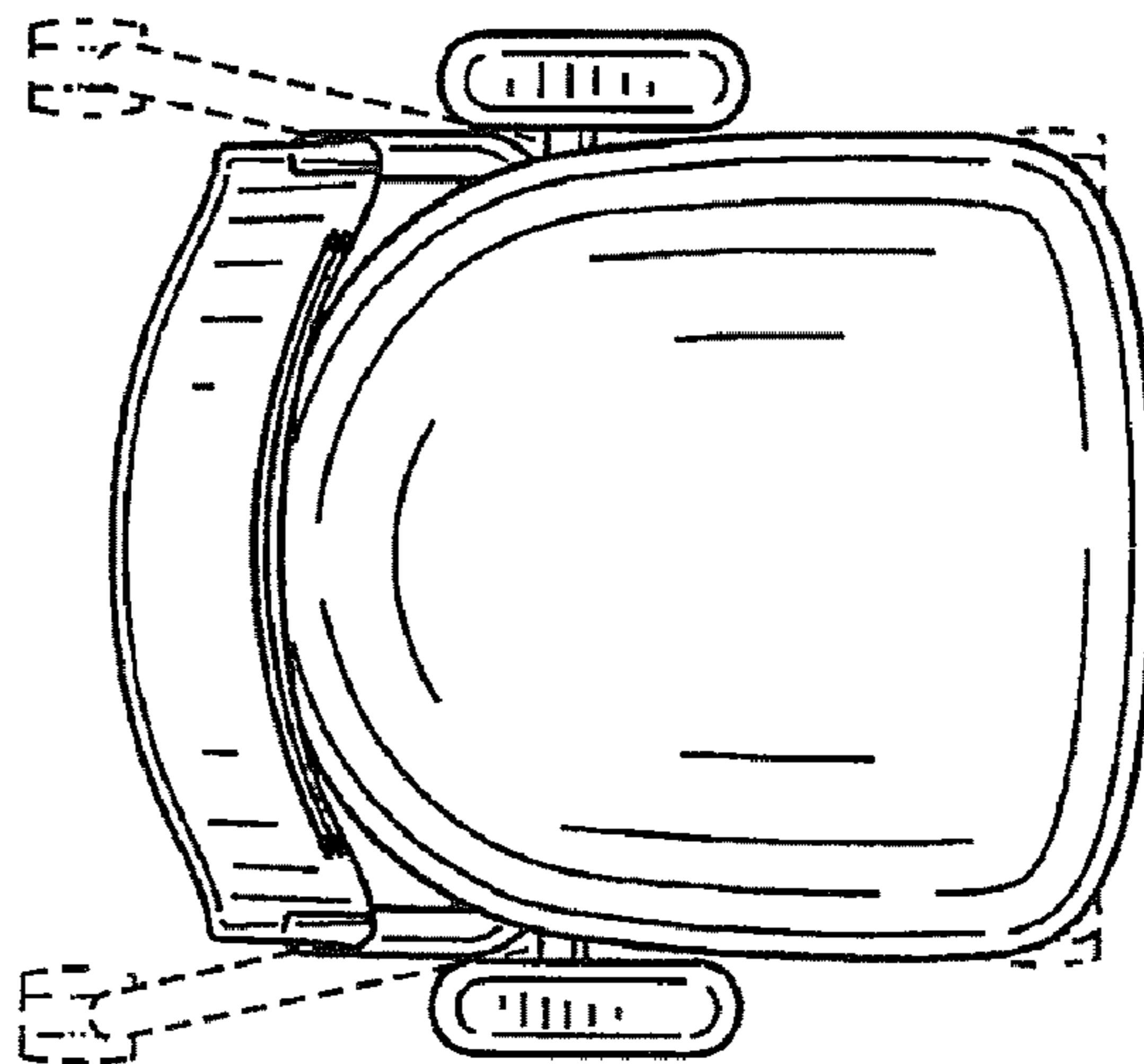


FIG. 4

FIG. 5



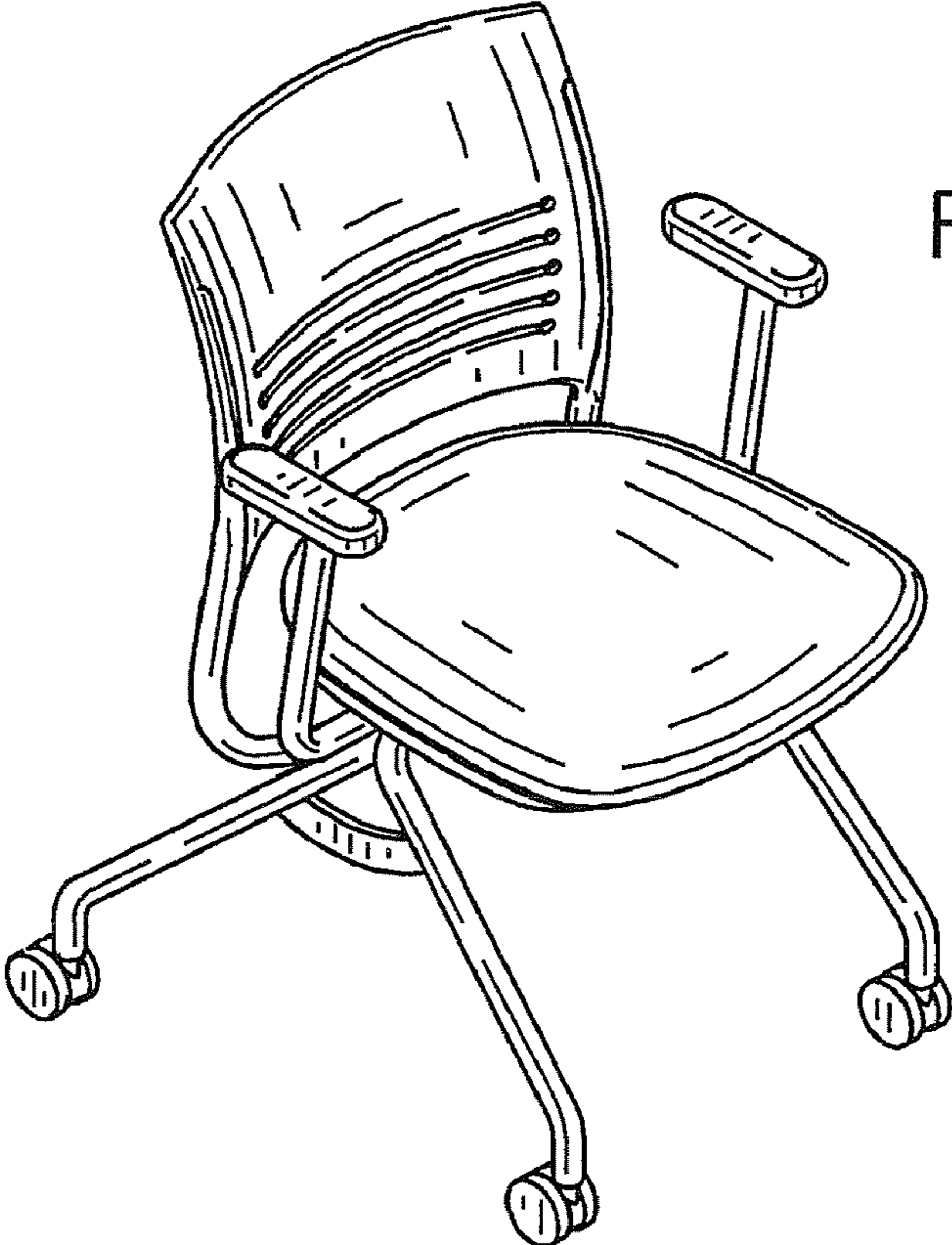


FIG. 6

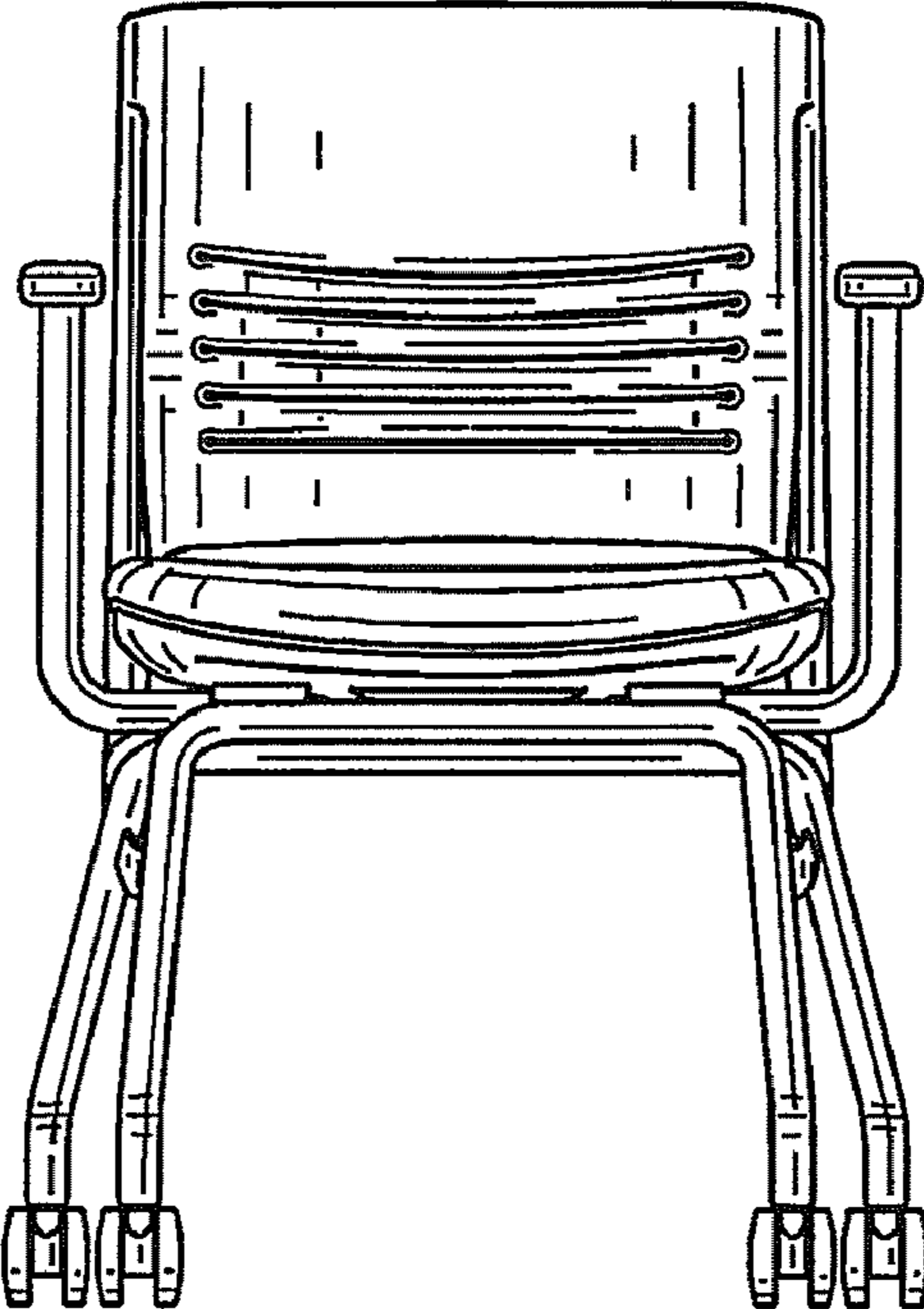


FIG. 7

FIG. 8

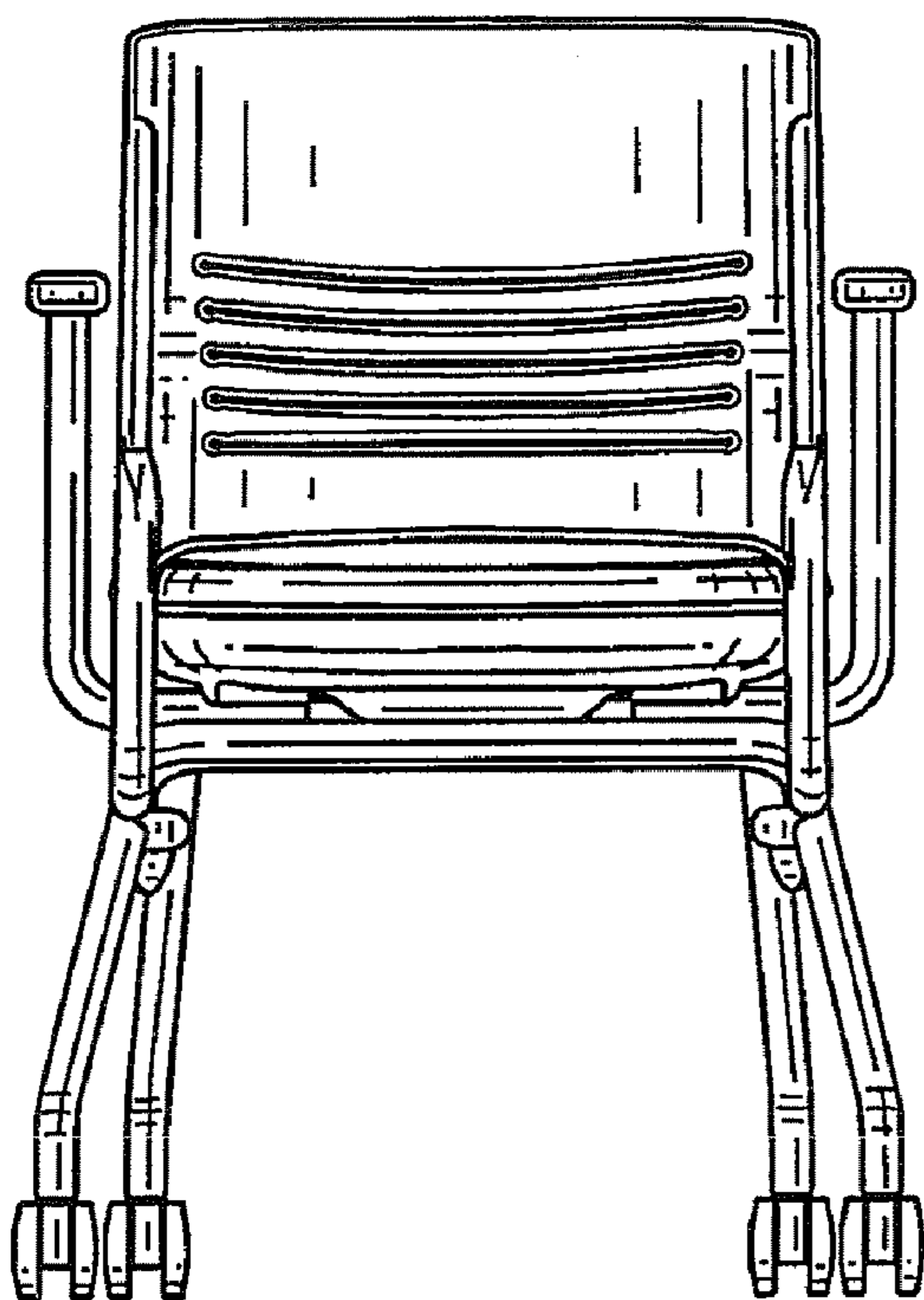
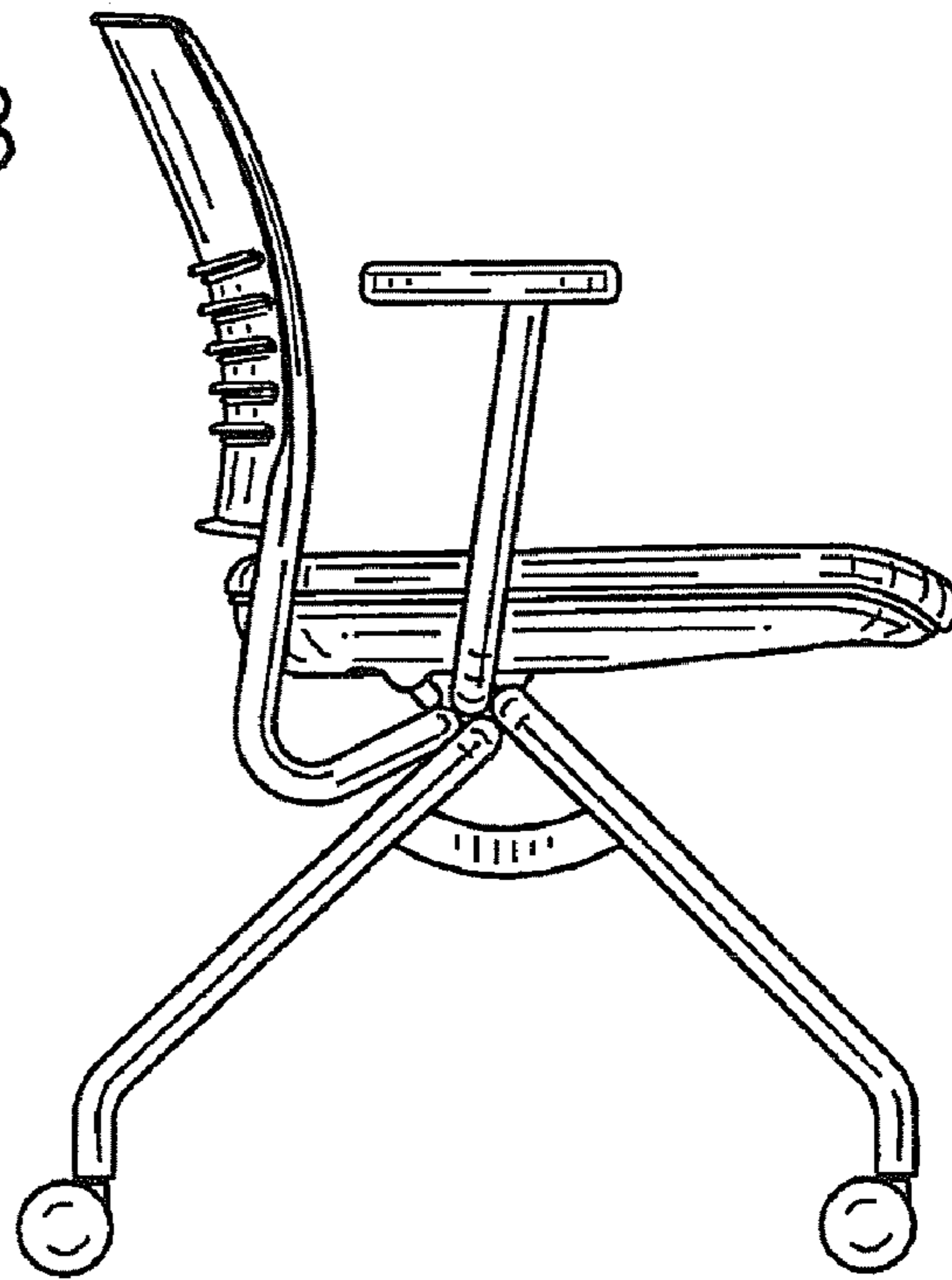
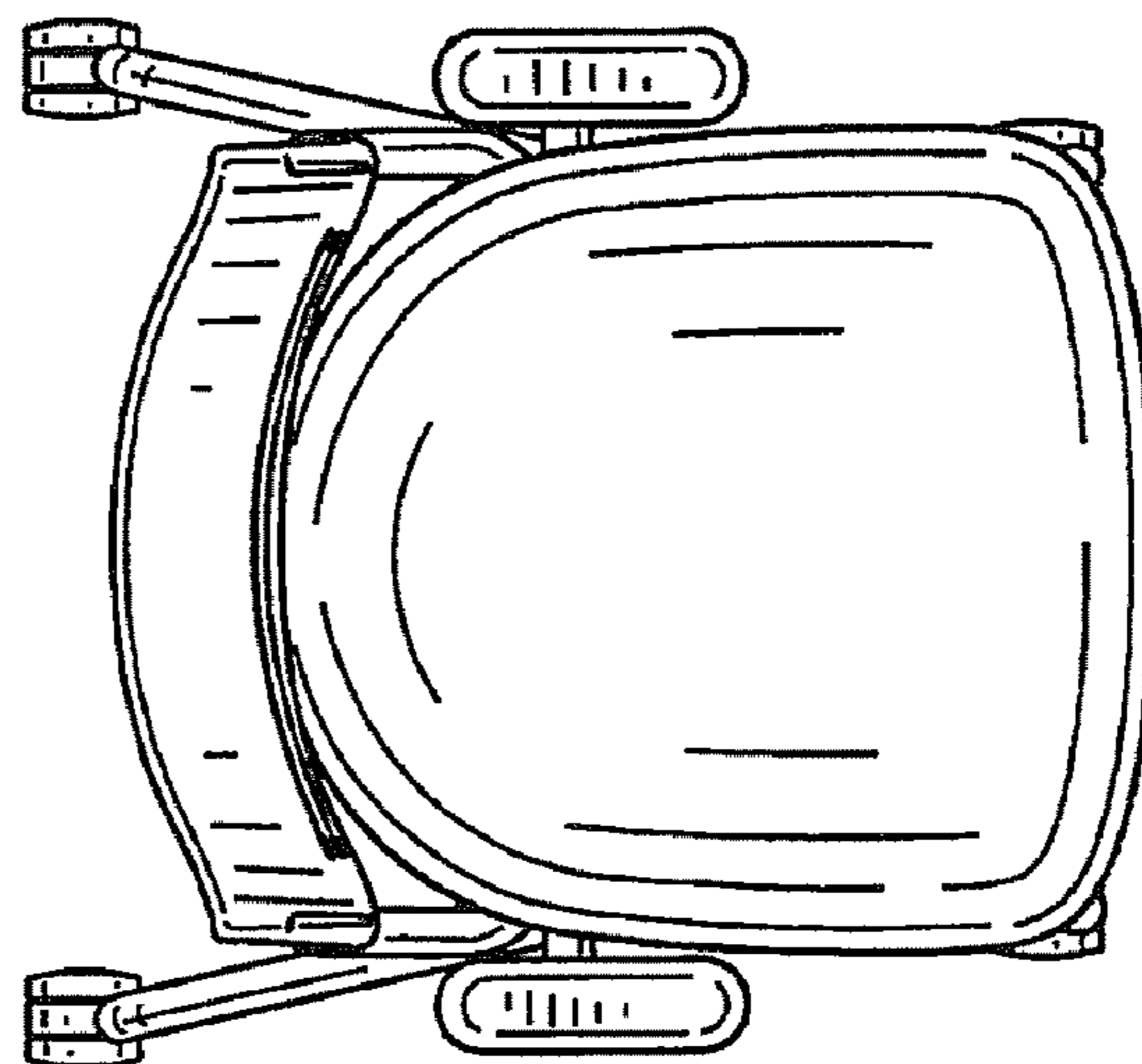


FIG. 9

FIG. 10



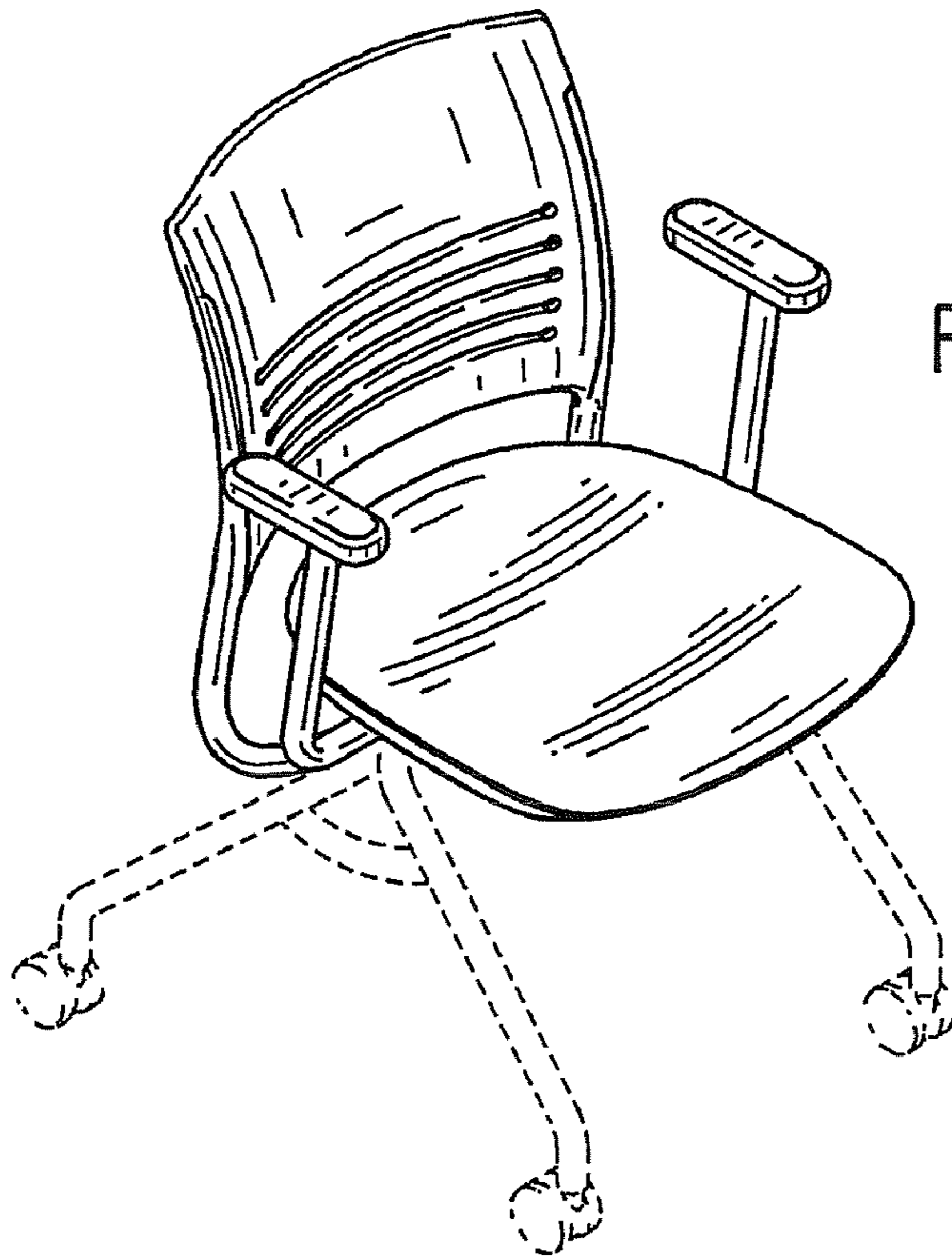


FIG. 11

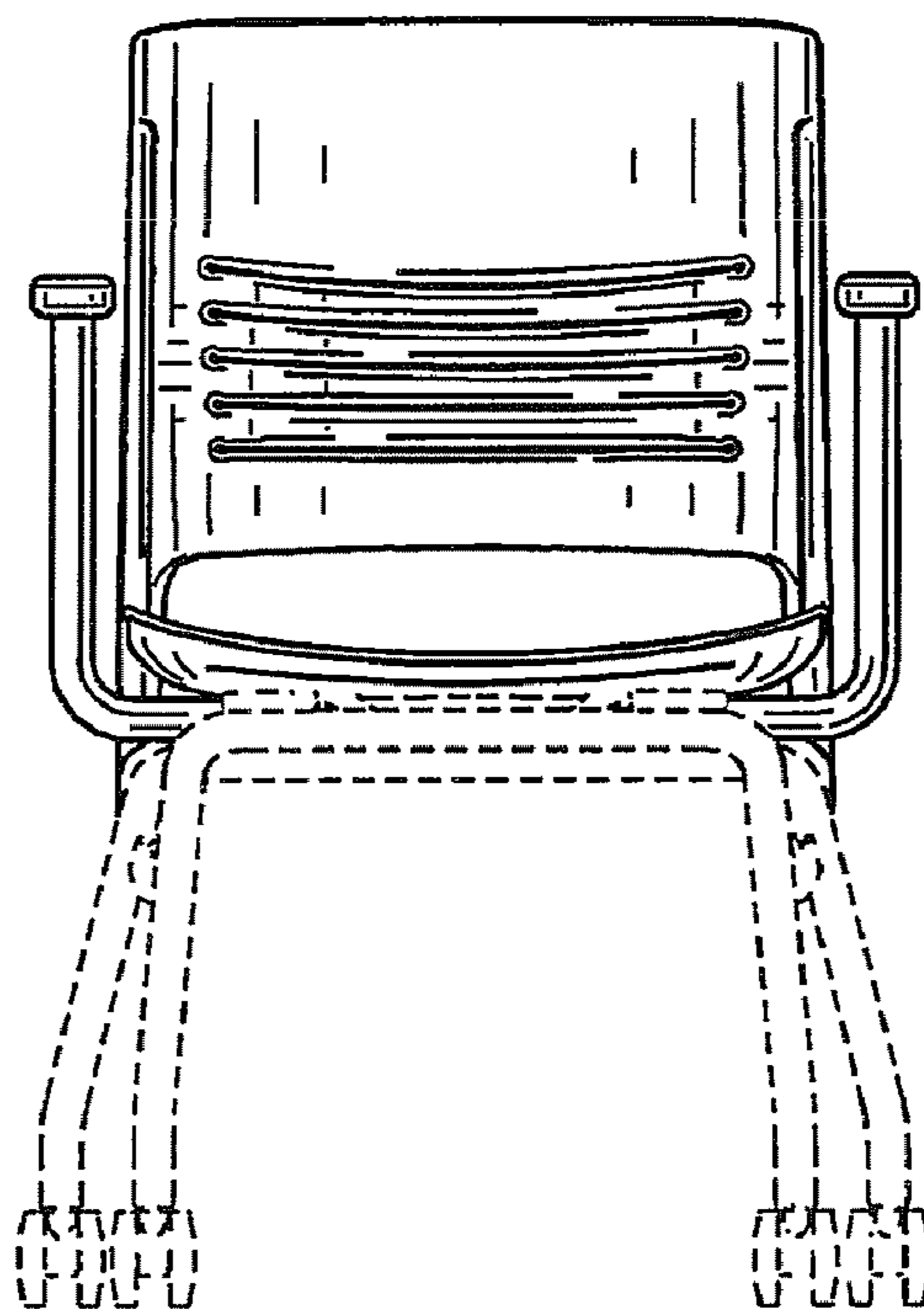


FIG. 12

FIG. 13

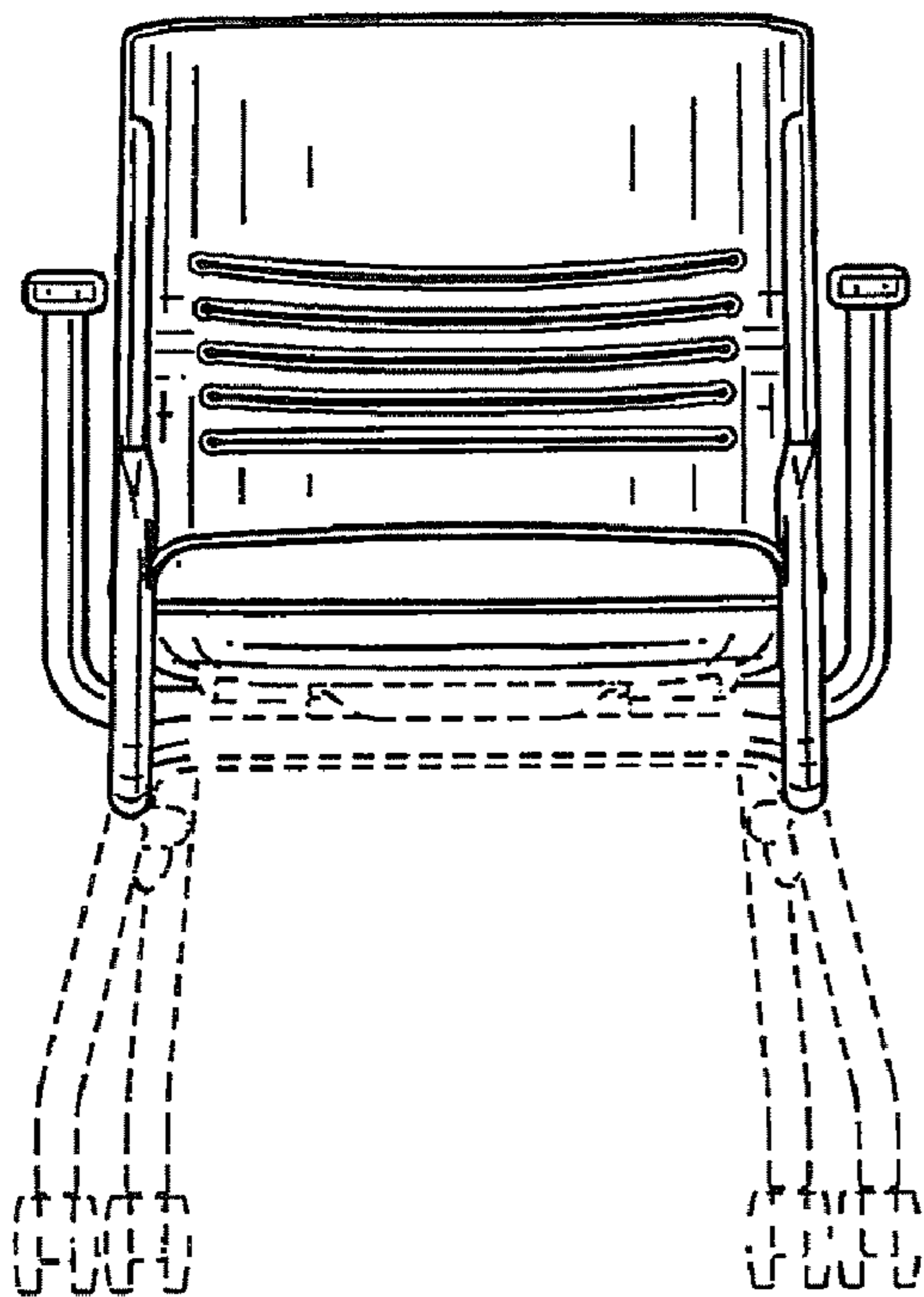
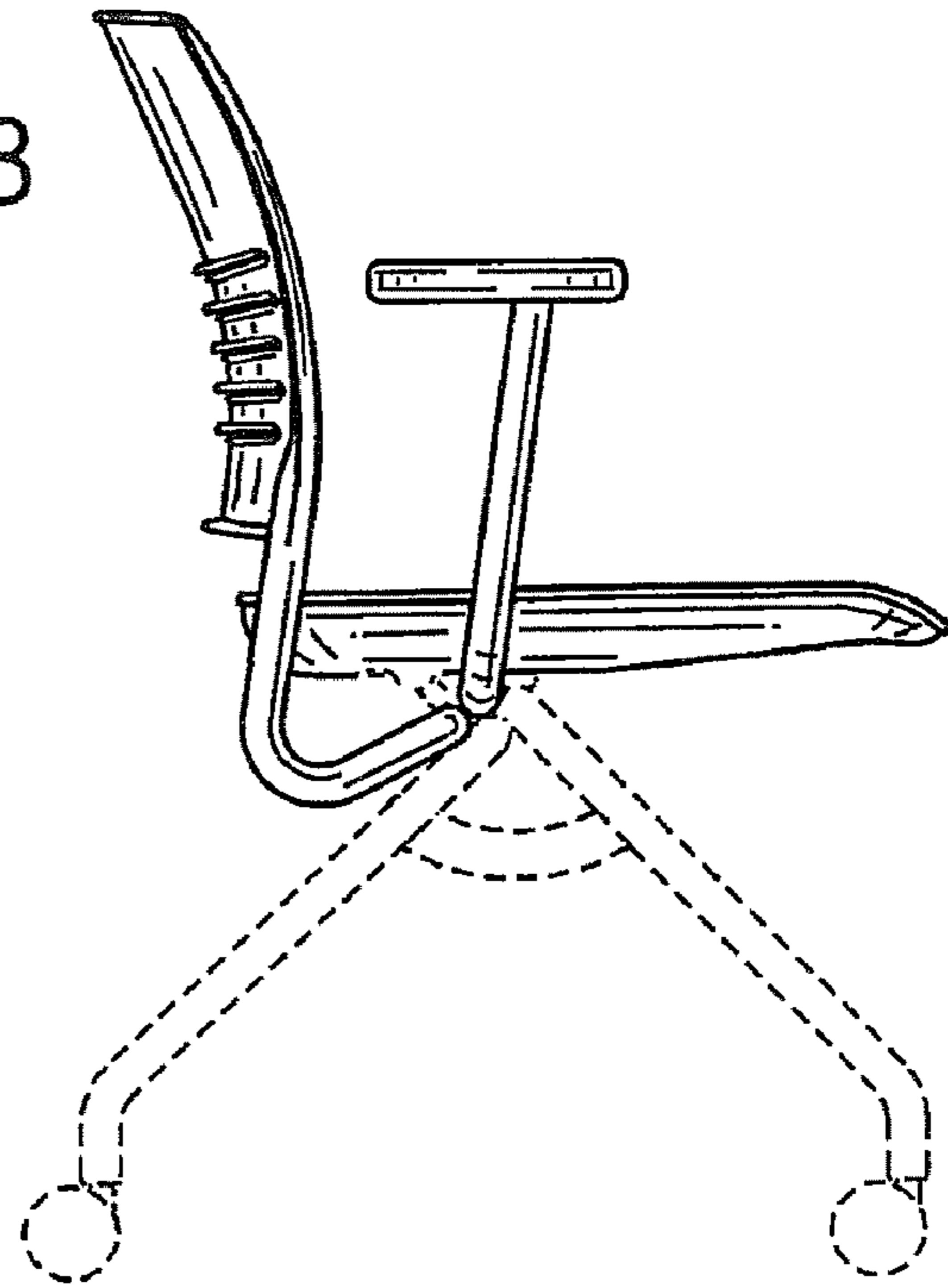


FIG. 14

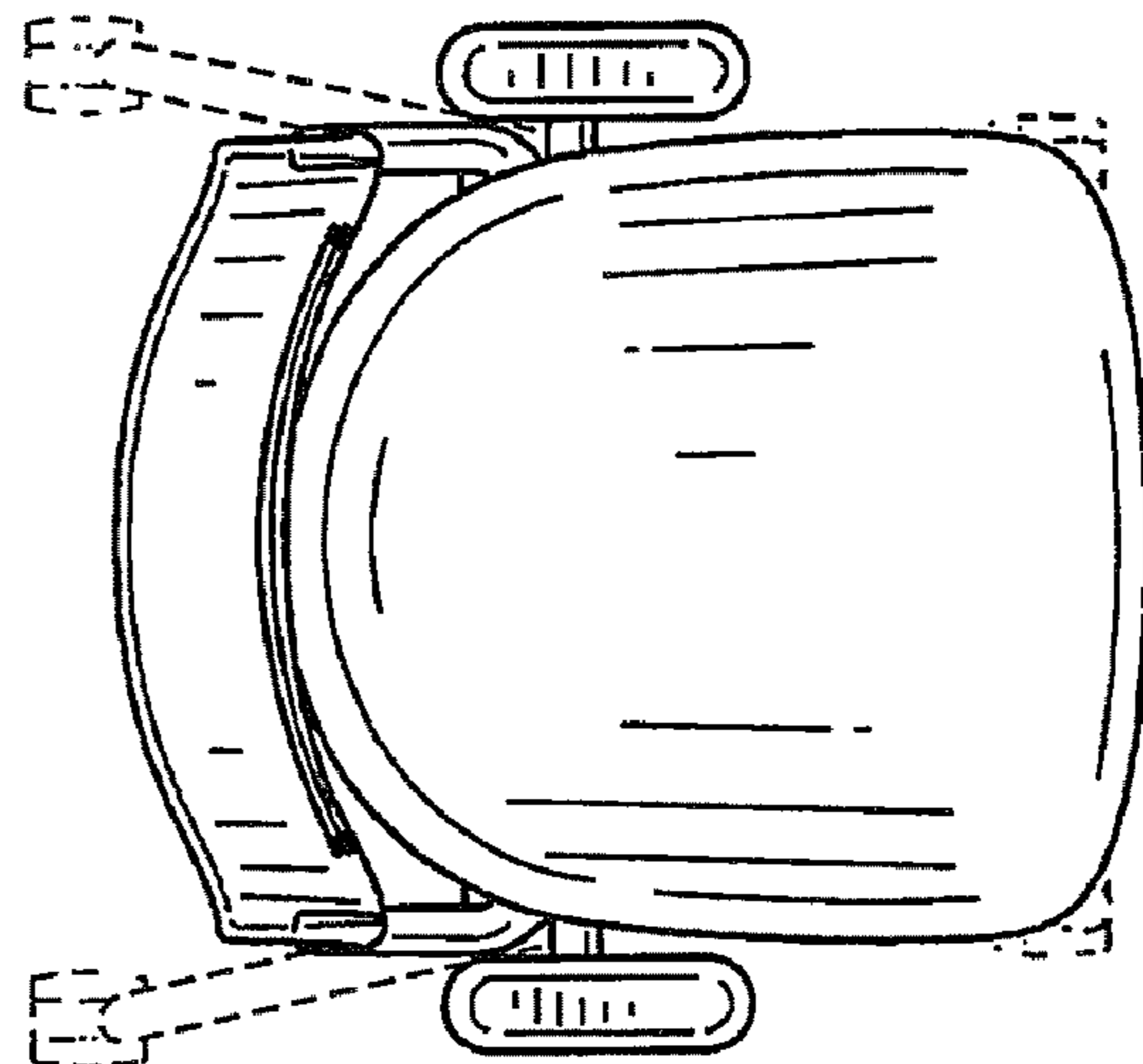


FIG. 15