

US00D643650S

(12) **United States Design Patent**
Starck

(10) **Patent No.:** **US D643,650 S**

(45) **Date of Patent:** **** Aug. 23, 2011**

(54) **SHELVING UNIT**

(75) Inventor: **Philippe Starck**, Milan (IT)

(73) Assignee: **Kartell S.p.A.**, Noviglio, Milan (IT)

(**) Term: **14 Years**

(21) Appl. No.: **29/345,702**

(22) Filed: **Oct. 21, 2009**

(30) **Foreign Application Priority Data**

Apr. 21, 2009 (EM) 001124911

(51) **LOC (9) Cl.** **06-01**

(52) **U.S. Cl.** **D6/479**

(58) **Field of Classification Search** D6/396,
D6/449, 470, 479, 509, 514-515; 108/59,
108/91; 312/114, 117, 125, 128; 211/10,
211/13.1, 128.1, 133.1-134, 55, 153
See application file for complete search history.

(56) **References Cited**

U.S. PATENT DOCUMENTS

D90,955 S * 10/1933 Reagan D6/436
D263,358 S * 3/1982 Winter et al. D6/410

D441,982 S * 5/2001 Hutton D6/436
D446,665 S * 8/2001 Hutton D6/436
D569,127 S * 5/2008 Kanthasamy D6/436
D570,619 S * 6/2008 Paterson D6/436
D621,102 S * 8/2010 German et al. D30/158

* cited by examiner

Primary Examiner — Elizabeth Albert

Assistant Examiner — Kelley Donnelly

(74) *Attorney, Agent, or Firm* — Shoemaker and Mattare

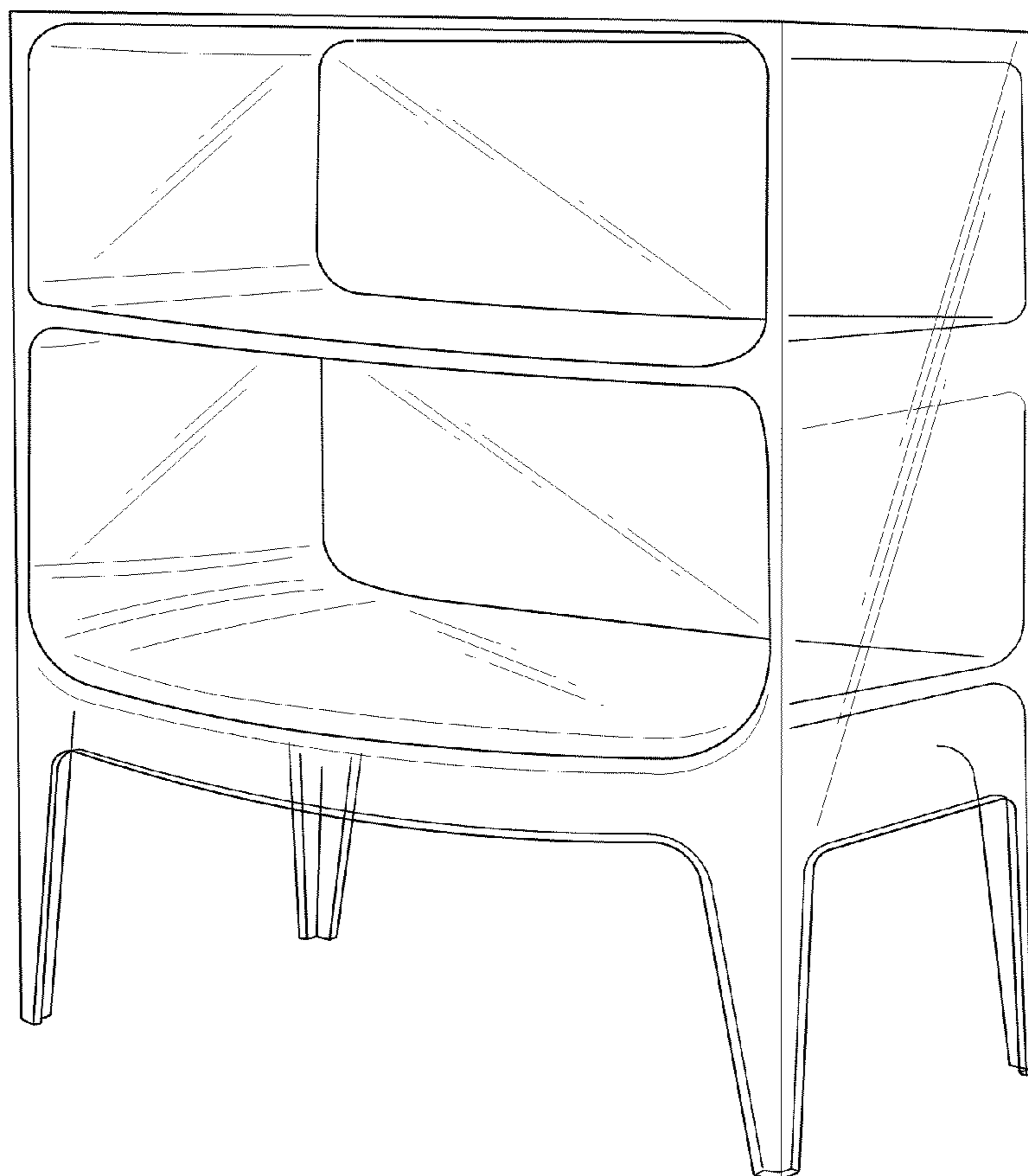
(57) **CLAIM**

The ornamental design for a shelving unit, as shown and described.

DESCRIPTION

FIG. 1 is a left side view of a shelving unit, showing my new design;
FIG. 2 is a front view thereof;
FIG. 3 is a top front perspective view thereof;
FIG. 4 is a right side view thereof;
FIG. 5 is a rear view thereof;
FIG. 6 is a front perspective view thereof; and,
FIG. 7 is a bottom perspective view thereof.

1 Claim, 7 Drawing Sheets



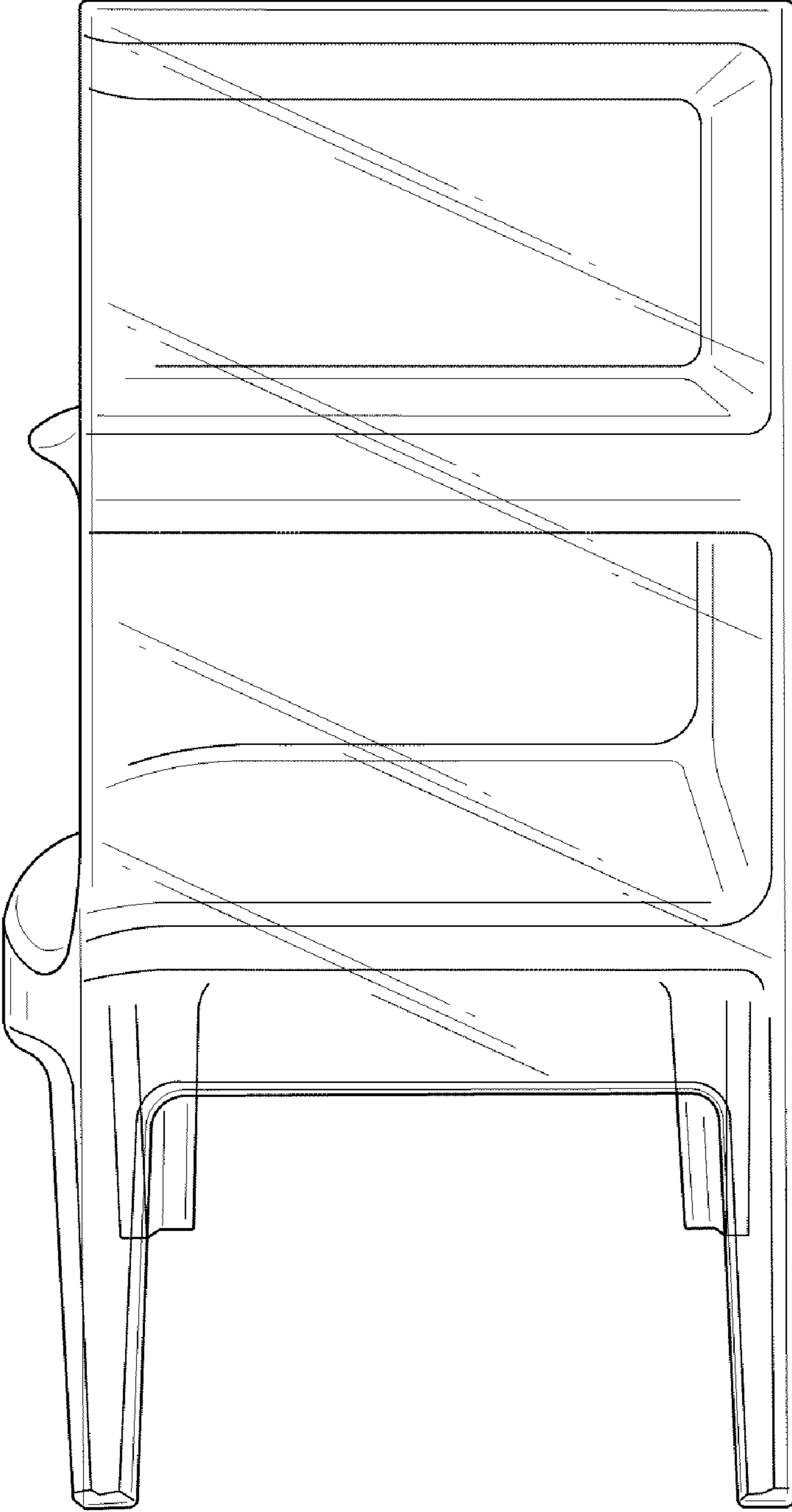


FIG. 1

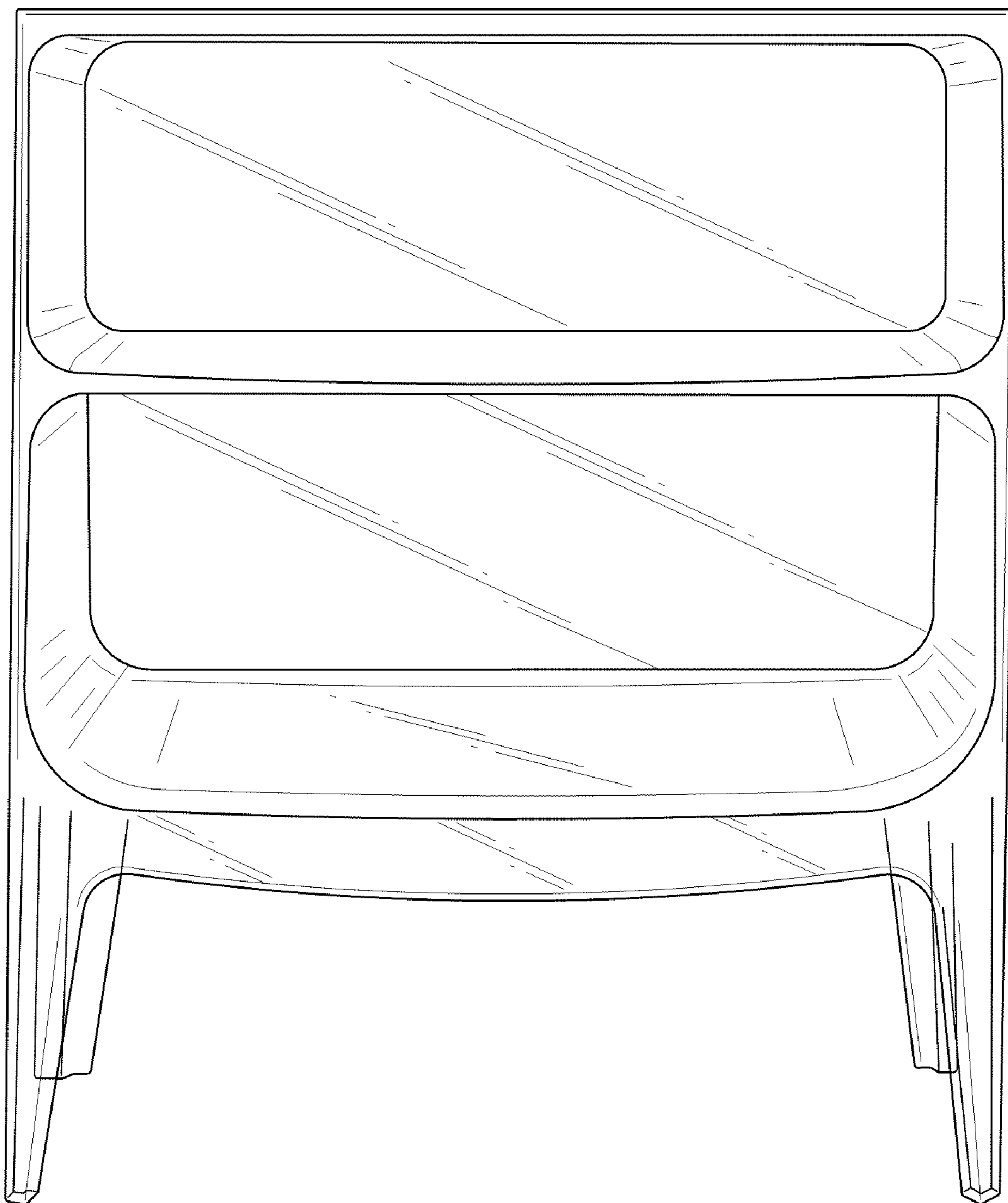


FIG. 2

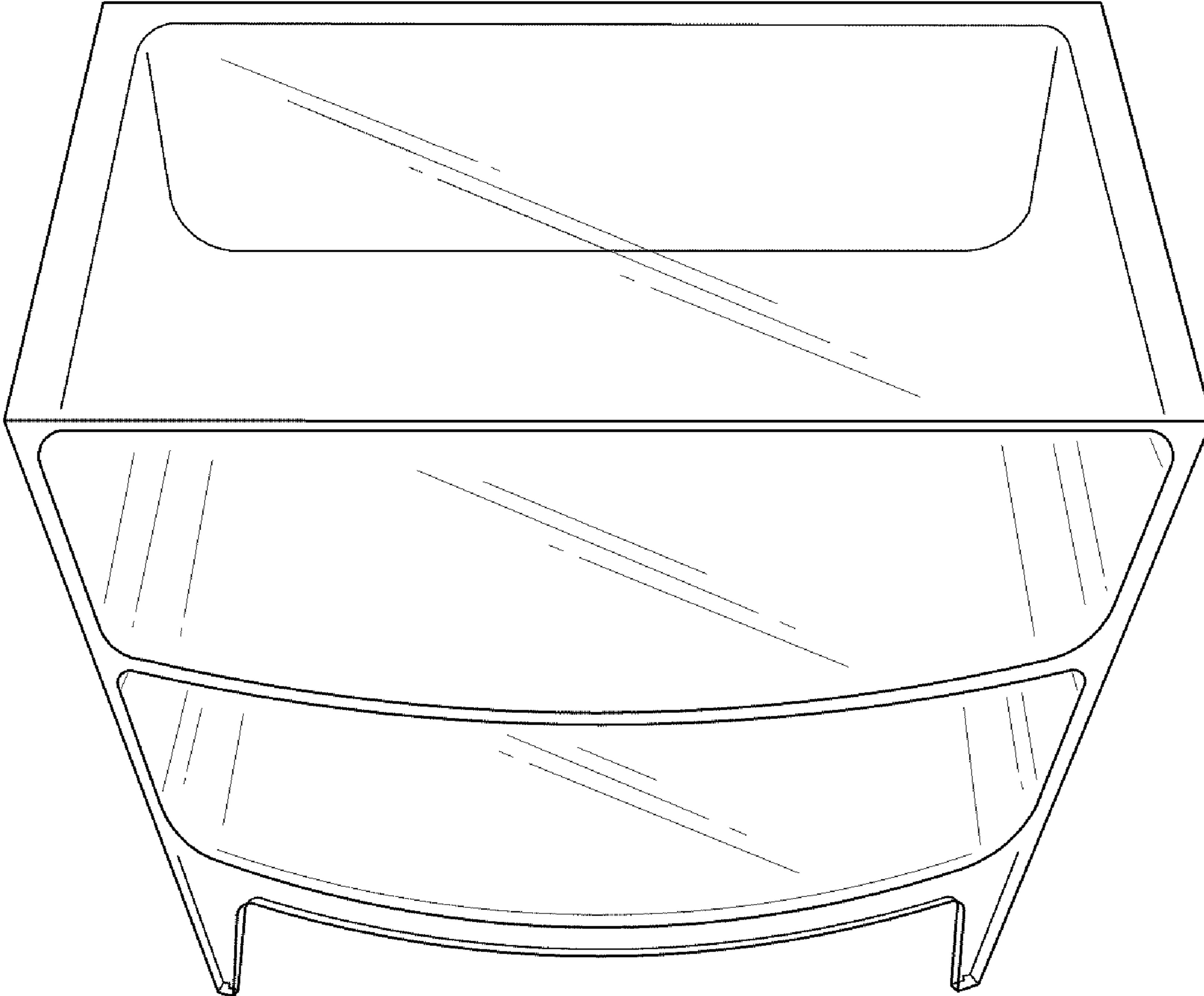


FIG. 3

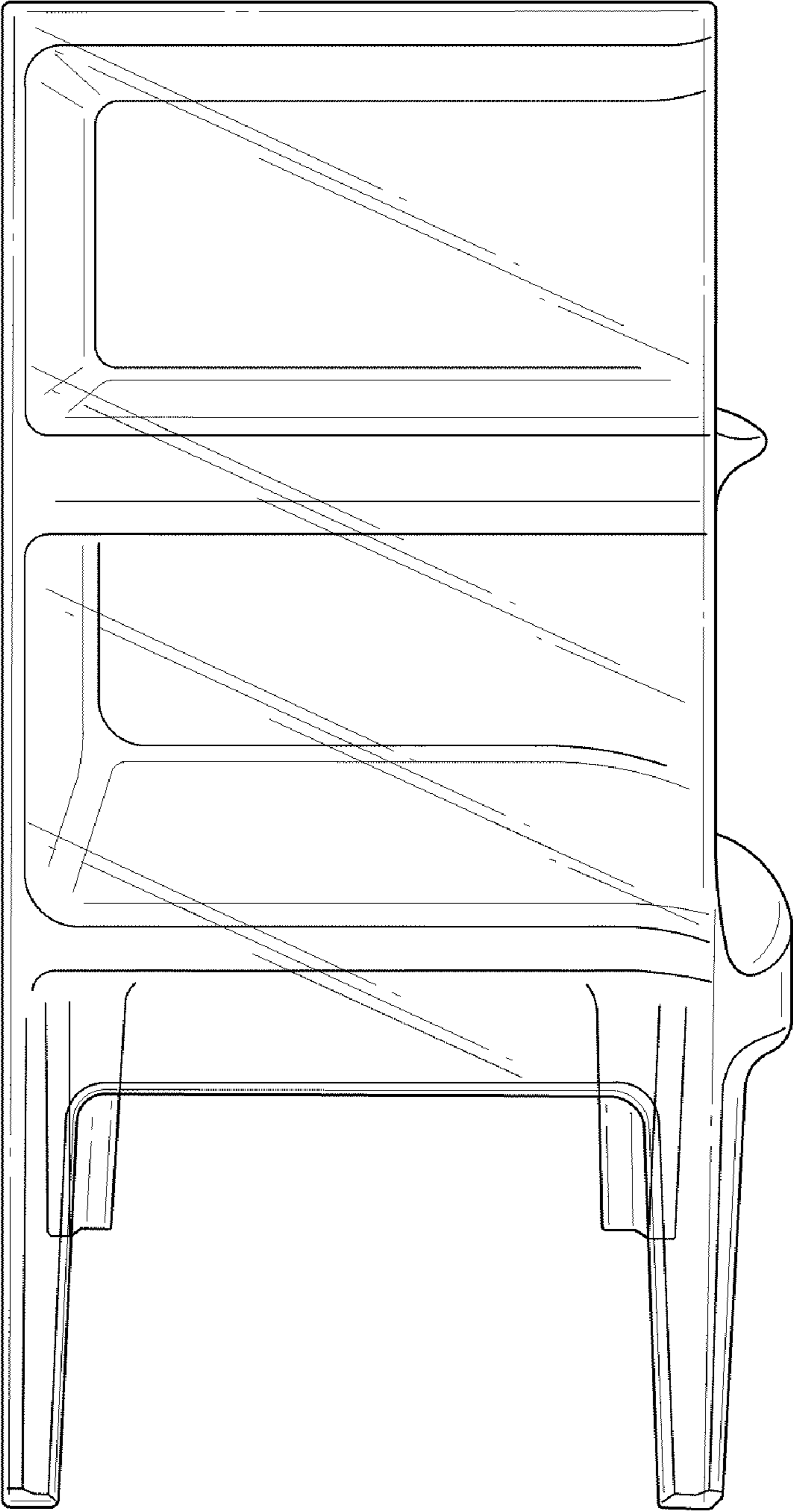


FIG. 4

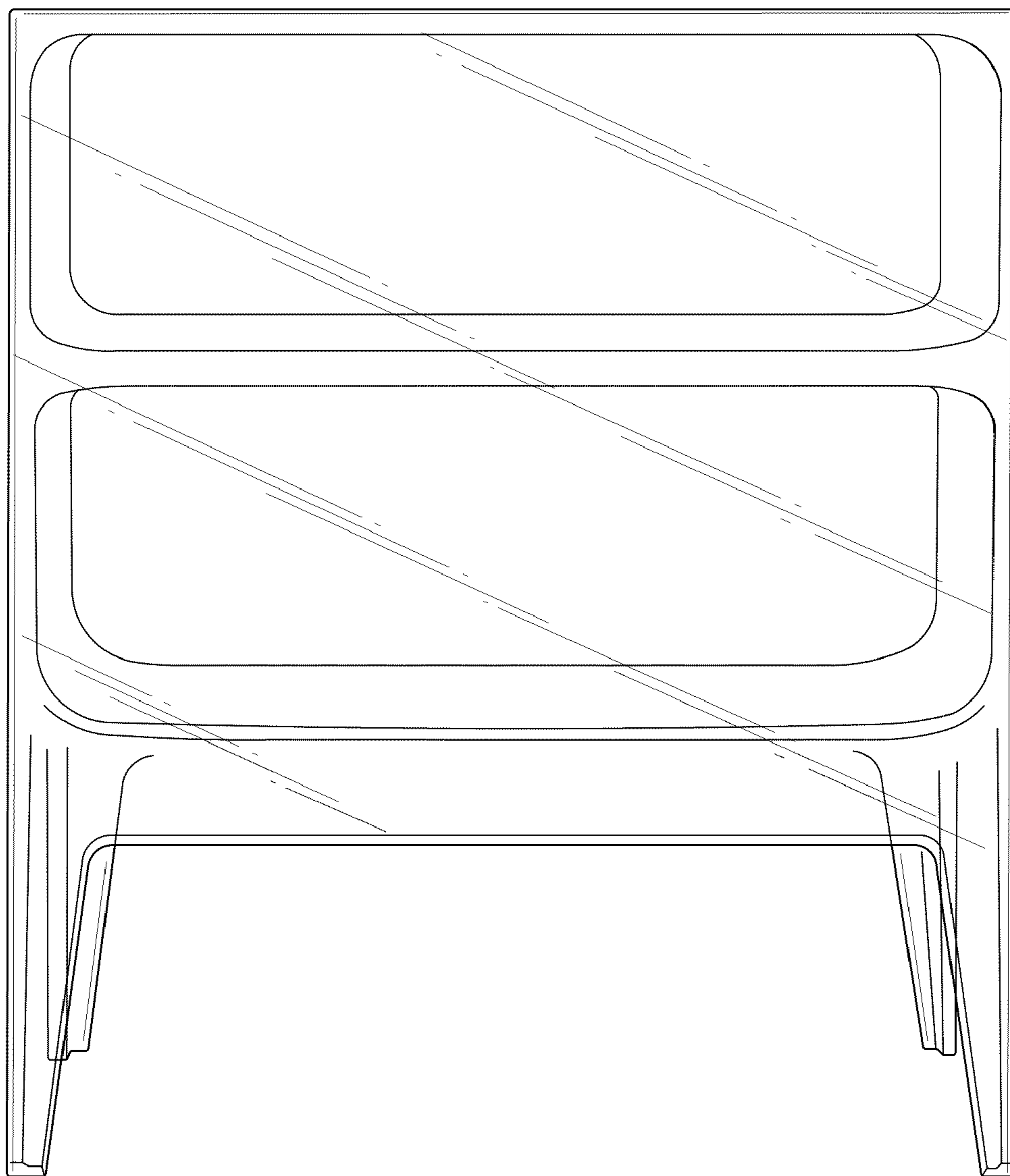


FIG. 5

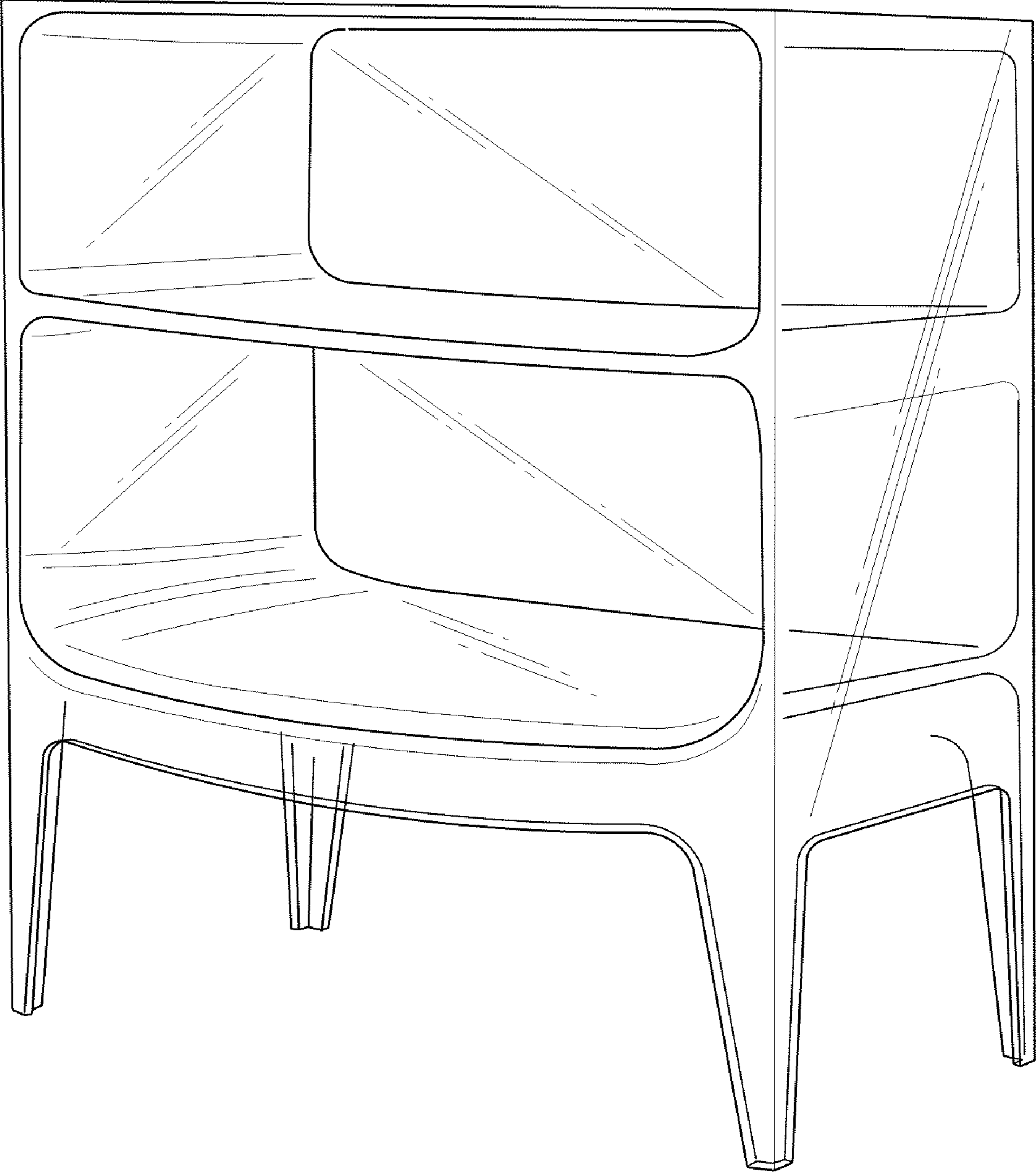


FIG. 6

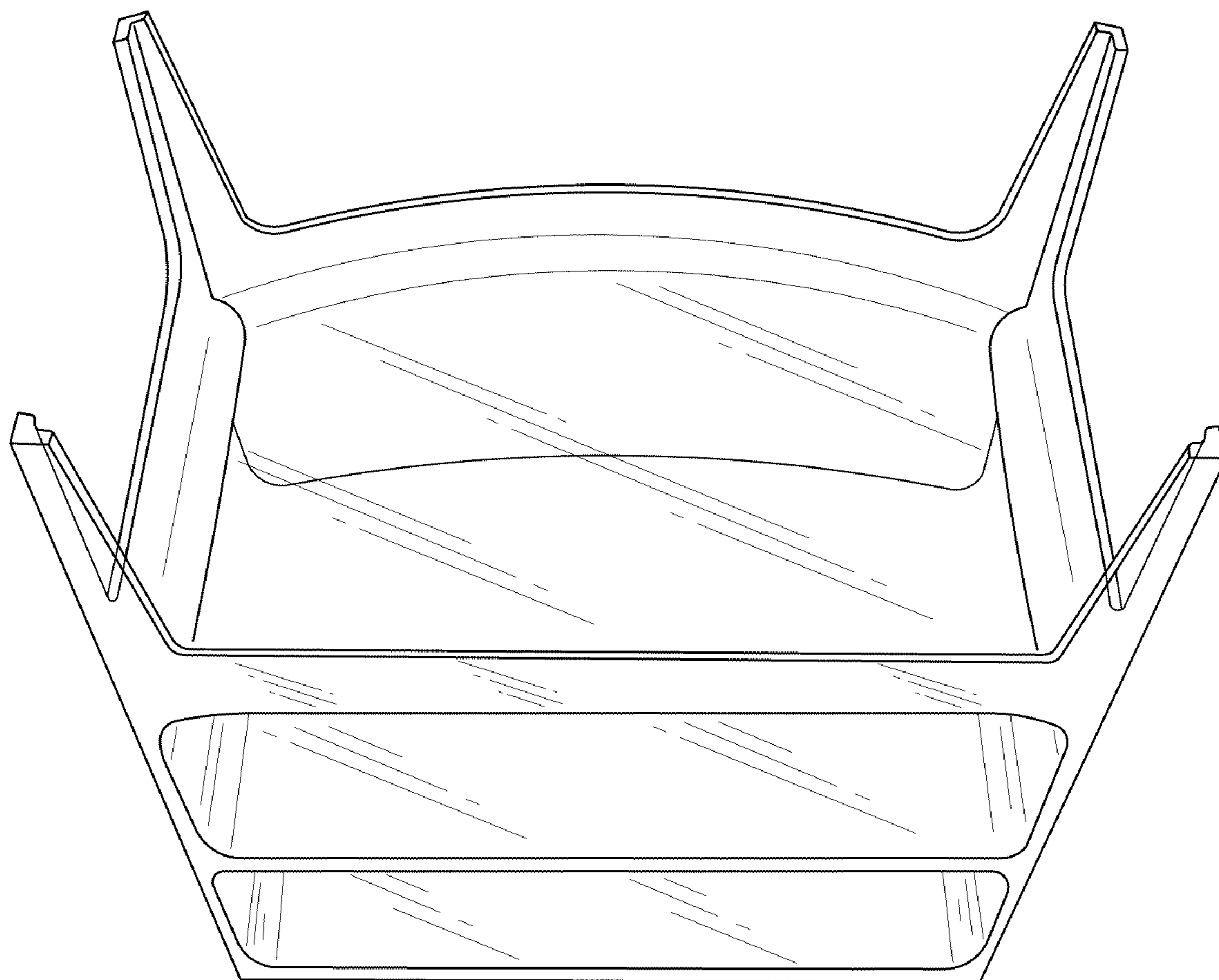


FIG. 7