



US00D643648S

(12) **United States Design Patent**  
**Eason**

(10) **Patent No.:** **US D643,648 S**

(45) **Date of Patent:** **\*\* Aug. 23, 2011**

(54) **KEYBOARD STAND**

(75) **Inventor:** **Donald Herbert Eason**, Fort Collins,  
CO (US)

(73) **Assignee:** **Ching-Tsang Wu**, Selangor Daral Ehsan  
(MY)

(\*\*) **Term:** **14 Years**

(21) **Appl. No.:** **29/383,081**

(22) **Filed:** **Jan. 12, 2011**

(51) **LOC (9) Cl.** ..... **06-04**

(52) **U.S. Cl.** ..... **D6/466**

(58) **Field of Classification Search** ..... D6/396,  
D6/397, 409, 410, 449, 450, 453-470; 211/1,  
211/13.1, 69.1, 69.5, 70, 70.1, 70.6, 74, 77,  
211/78, 85.1, 85.4-85.6, 85.8, 85.31, 126.9,  
211/134, 191.1, 182; 84/327; 248/121, 166,  
248/164, 177.1, 292.12, 431

See application file for complete search history.

(56) **References Cited**

U.S. PATENT DOCUMENTS

D278,670 S \* 5/1985 Schoenig ..... D6/463  
4,684,091 A \* 8/1987 Moreschi ..... 248/166  
D468,133 S \* 1/2003 Lauts ..... D6/462

D534,741 S \* 1/2007 Lippert ..... D6/462  
D578,803 S \* 10/2008 Mori et al. .... D6/462  
7,932,451 B2 \* 4/2011 Workman et al. .... 84/327  
2008/0135697 A1 \* 6/2008 Workman et al. .... 248/177.1  
2010/0219143 A1 \* 9/2010 McCleave ..... 211/85.8  
2011/0017688 A1 \* 1/2011 Jines et al. .... 211/85.6

\* cited by examiner

*Primary Examiner* — Mary Ann Calabrese

(74) *Attorney, Agent, or Firm* — Jackson IPG PLLC;  
Demian K. Jackson

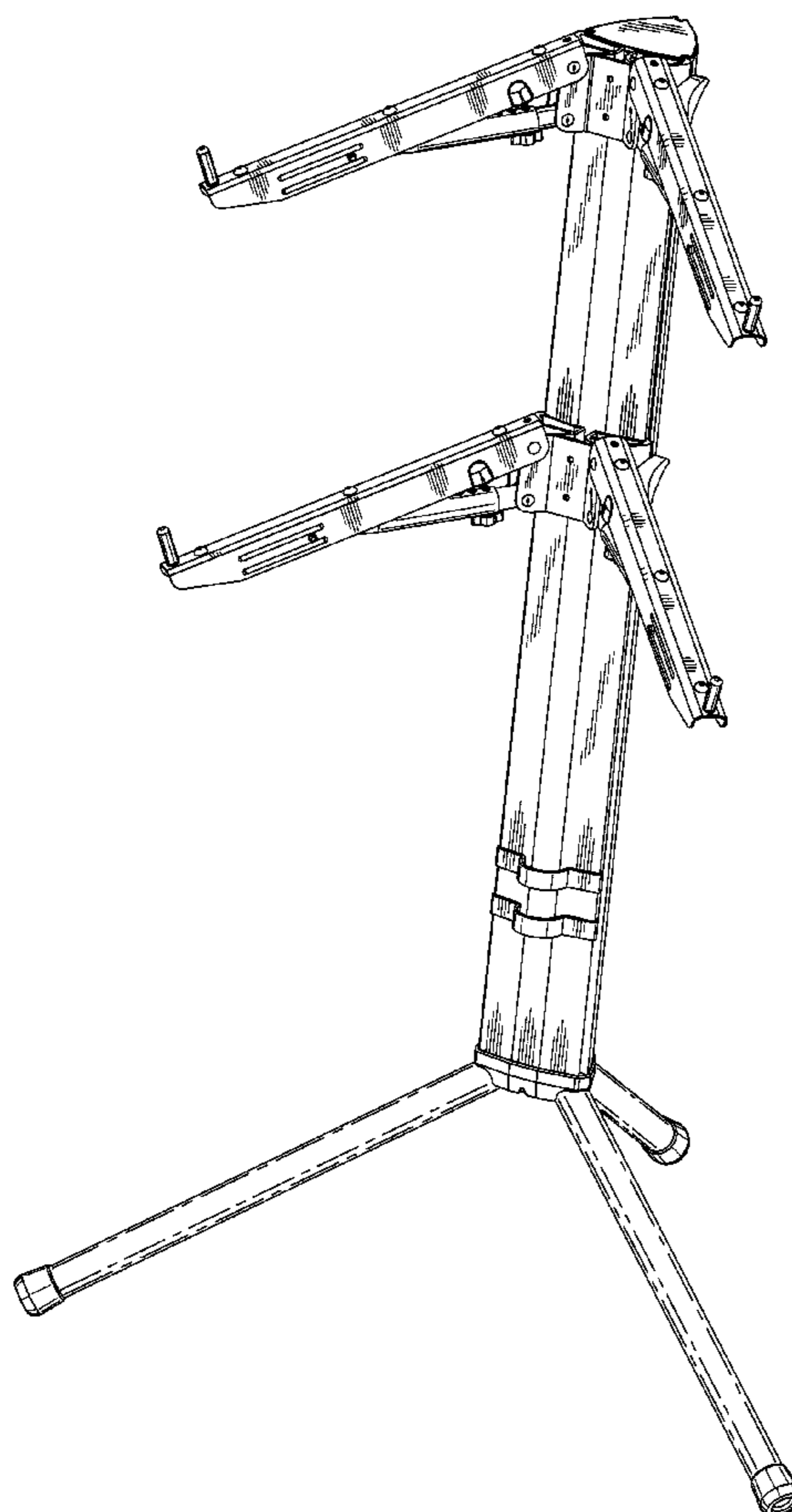
(57) **CLAIM**

The ornamental design for keyboard stand, as shown and described.

**DESCRIPTION**

FIG. 1 is a perspective view of a keyboard stand showing my new design;  
FIG. 2 is a front elevational view thereof;  
FIG. 3 is a rear elevational view thereof;  
FIG. 4 is a top plan view thereof;  
FIG. 5 is a bottom plan view thereof; and,  
FIG. 6 is a right side elevational view thereof; and the left side being a mirror image.

**1 Claim, 6 Drawing Sheets**



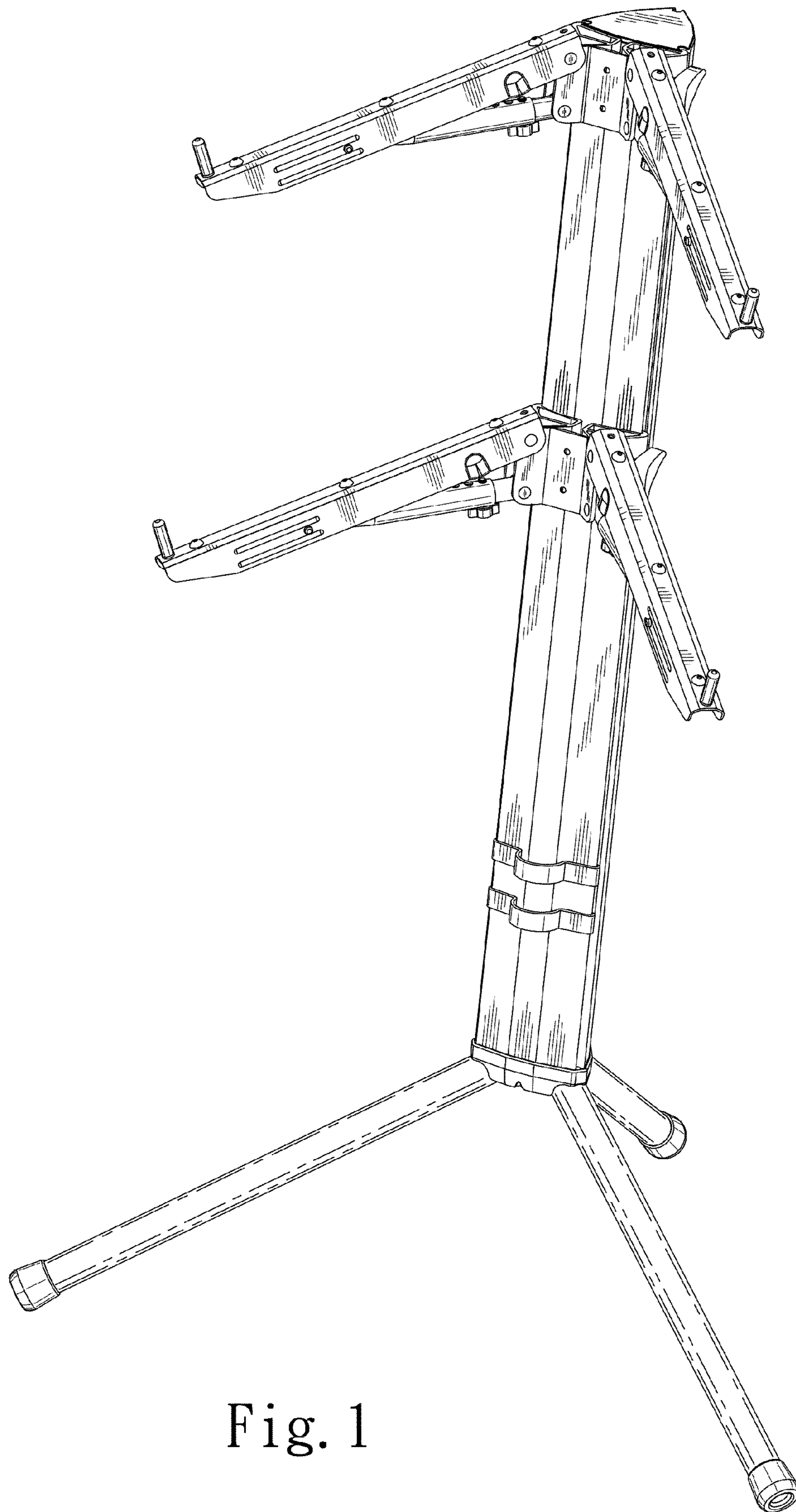


Fig. 1

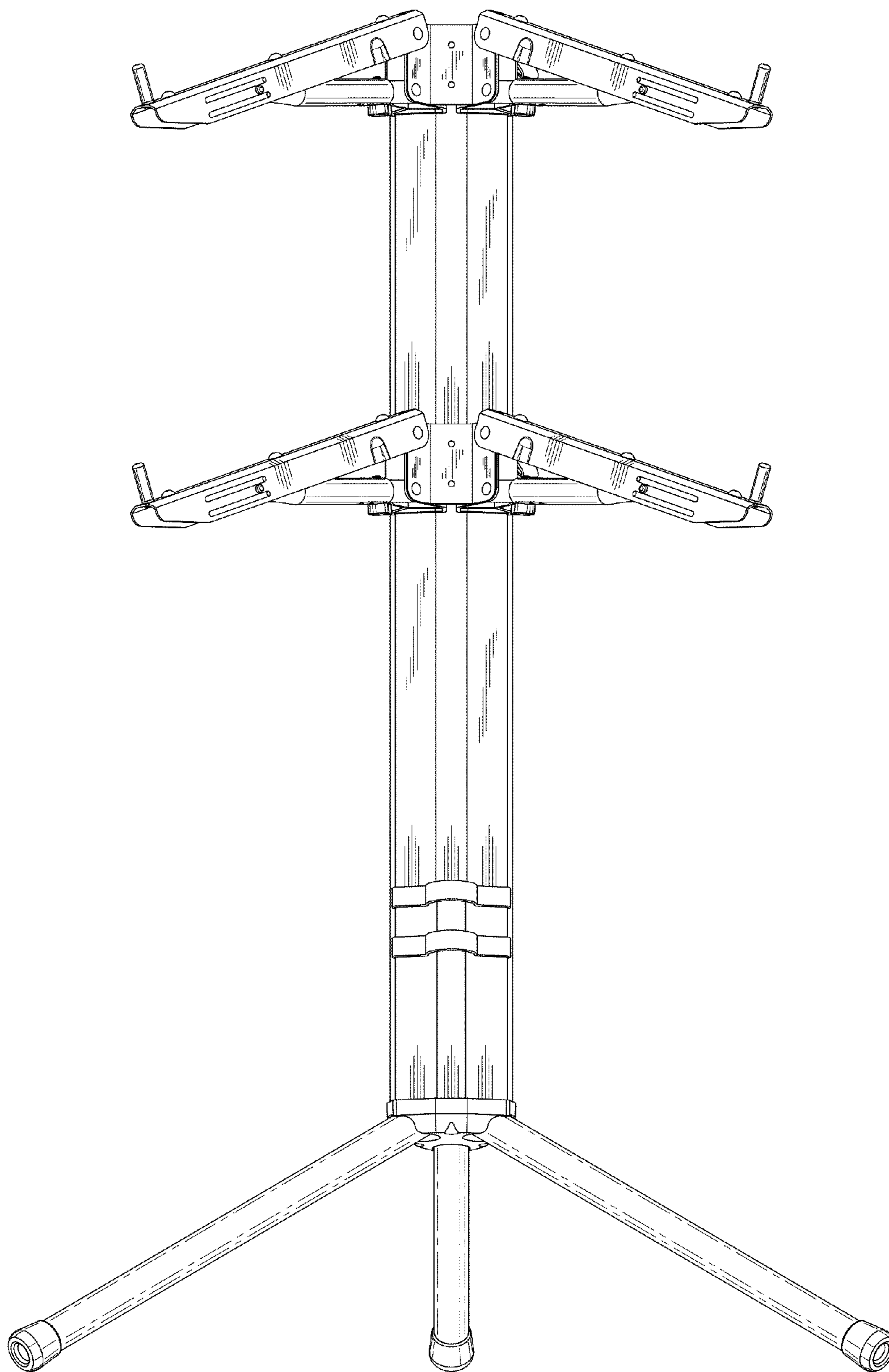


Fig. 2

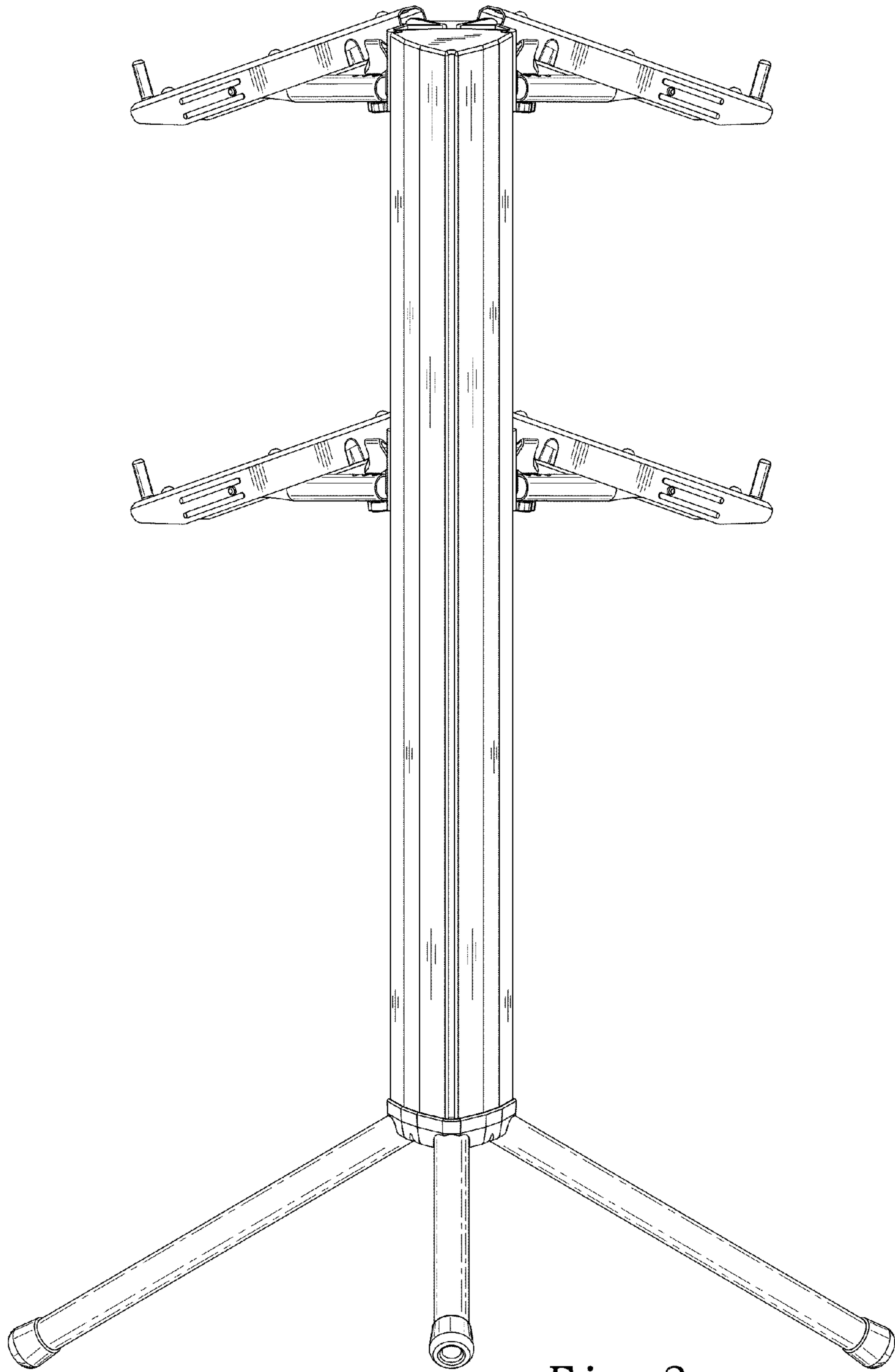


Fig. 3

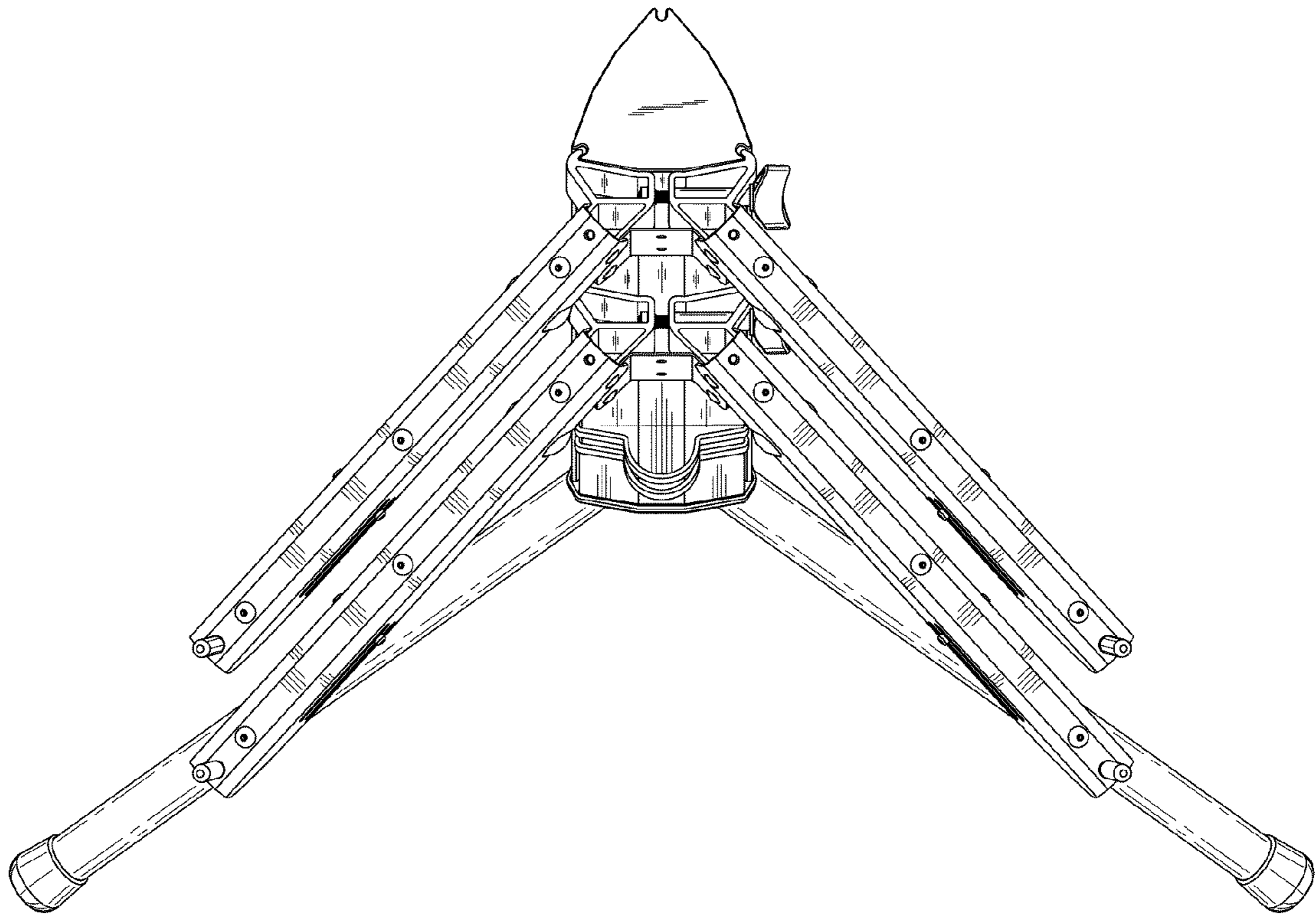


Fig. 4

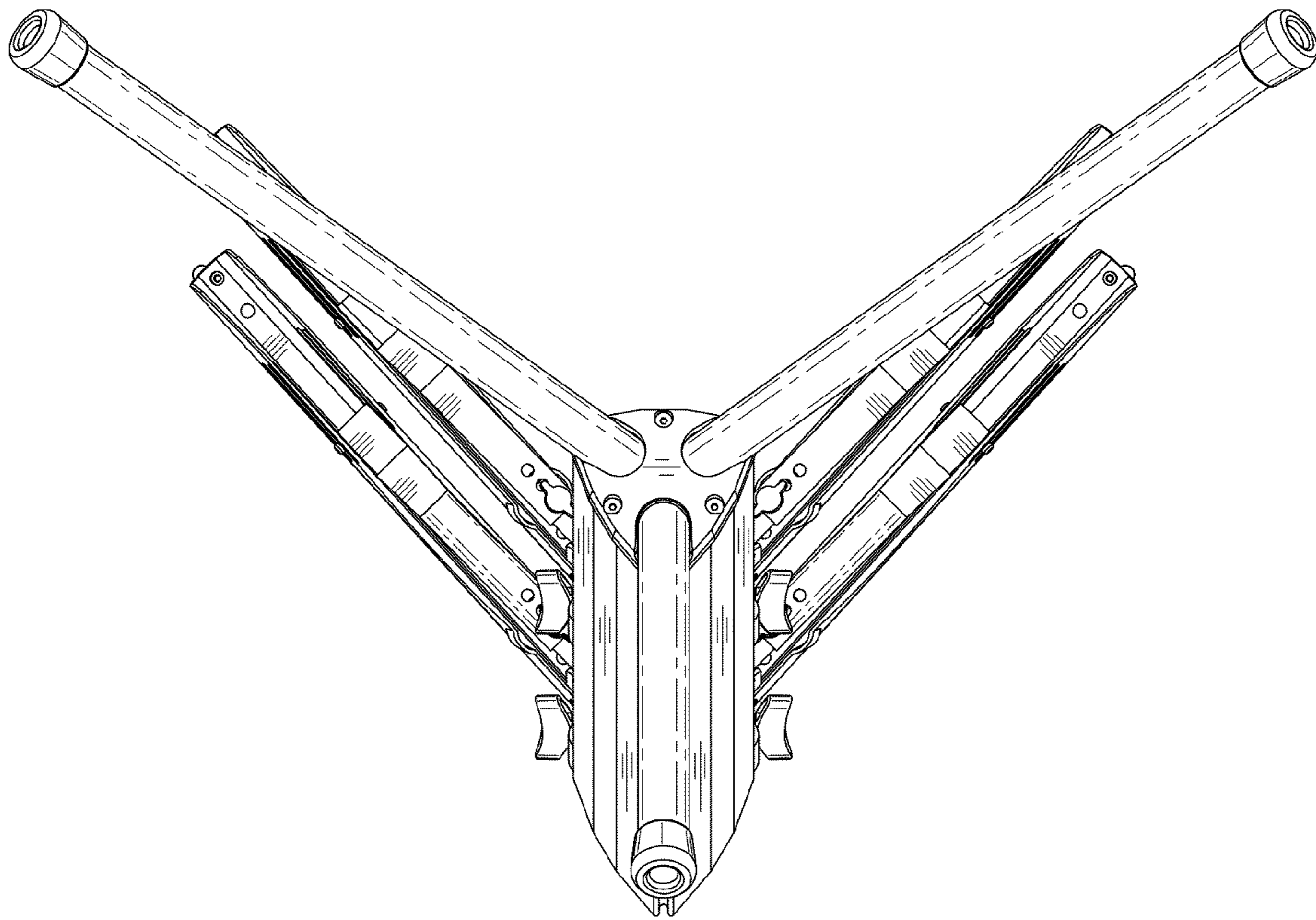


Fig. 5

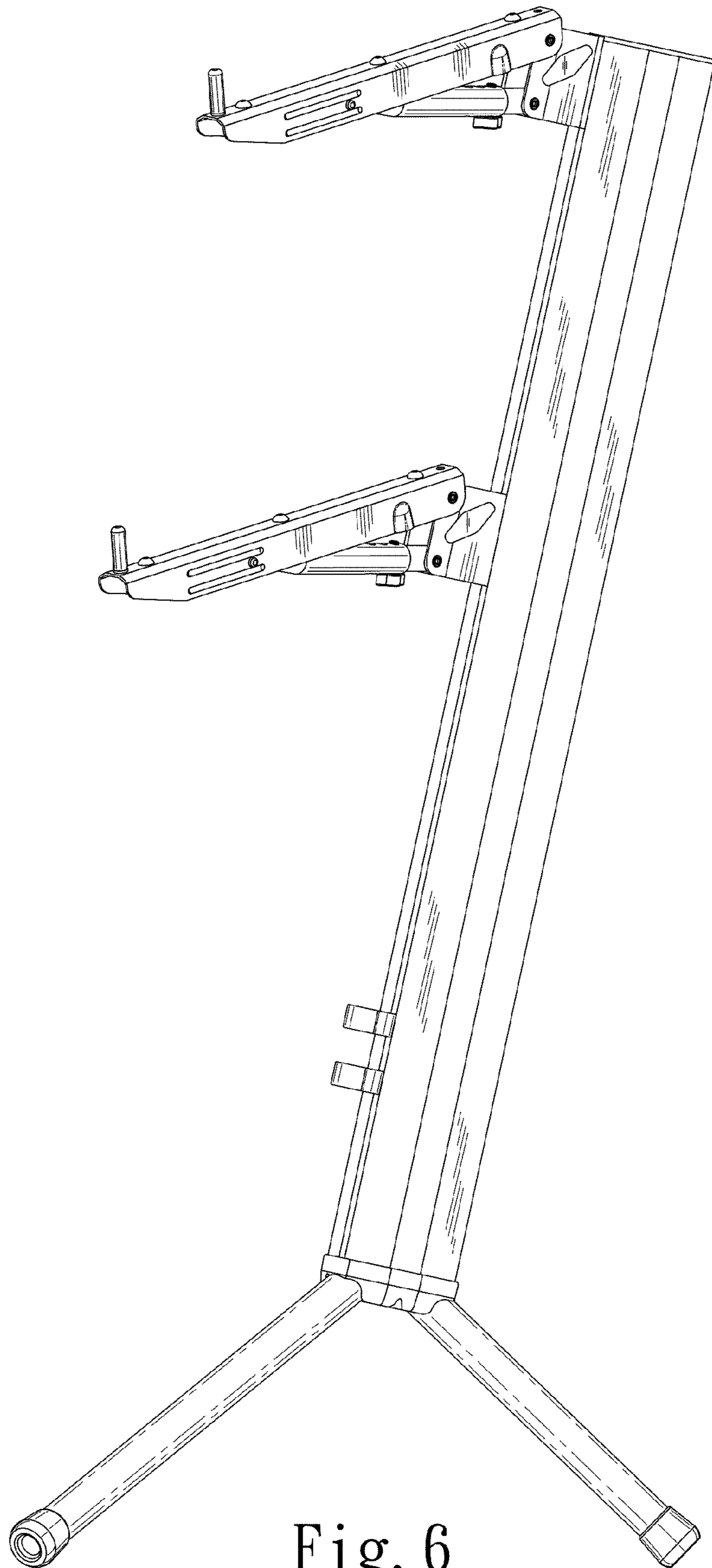


Fig. 6