



US00D643647S

(12) **United States Design Patent**  
**Owen et al.**

(10) **Patent No.:** **US D643,647 S**

(45) **Date of Patent:** **\*\* Aug. 23, 2011**

(54) **PLANT TROUGH**

(75) Inventors: **Paul Owen**, Suffolk (GB); **Joseph Denham**, Suffolk (GB)

(73) Assignee: **VegTrug Limited**, Essex (GB)

(\*\*) Term: **14 Years**

(21) Appl. No.: **29/358,689**

(22) Filed: **Mar. 31, 2010**

(30) **Foreign Application Priority Data**

Oct. 6, 2009 (EM) ..... 001619933-0001

(51) **LOC (9) Cl.** ..... **11-02**

(52) **U.S. Cl.** ..... **D6/403; D11/156**

(58) **Field of Classification Search** ..... D6/403-405,  
D6/556-558; D8/1; D11/143-156, 164;  
D19/77, 80, 81; D26/9-11, 16; D34/1, 2,  
D34/4-6; D99/5, 19; 47/32.4, 32.5, 32.7,  
47/33, 41.01, 41.1, 41.11-41.15, 44-47,  
47/65, 65.5, 65.9, 66.6, 66.7, 67-71; 119/58,  
119/61.1, 61.2, 61.4

See application file for complete search history.

(56) **References Cited**

**U.S. PATENT DOCUMENTS**

339,694	A *	4/1886	Rine et al.	119/61.4
432,671	A *	7/1890	Kent	119/61.1
747,590	A *	12/1903	Butz	119/61.1
922,317	A *	5/1909	Nelson	119/61.1
D271,954	S *	12/1983	Neil	D11/156
D271,955	S *	12/1983	Neil	D11/156

D279,844	S *	7/1985	Dolan	D6/404
D316,010	S *	4/1991	Guy	D7/553.3
D468,554	S *	1/2003	Tribull, Jr.	D6/404
D538,706	S *	3/2007	Williams	D11/149
D545,506	S *	6/2007	Wang	D6/405
D578,036	S *	10/2008	Dea	D11/149
D606,773	S *	12/2009	Copp et al.	D6/403

\* cited by examiner

*Primary Examiner* — Garth Rademaker

(74) *Attorney, Agent, or Firm* — Howson & Howson LLP

(57) **CLAIM**

The ornamental design for a plant trough, as shown and described.

**DESCRIPTION**

FIG. 1 is a perspective view of a plant trough, showing a first embodiment of our new design;  
 FIG. 2 is a right side elevation view thereof;  
 FIG. 3 is a left side elevation view thereof;  
 FIG. 4 is a front elevation view thereof;  
 FIG. 5 is a rear elevation view thereof;  
 FIG. 6 is a bottom plan view thereof;  
 FIG. 7 is a top plan view thereof;  
 FIG. 8 is a perspective view of a plant trough, showing a second embodiment of our new design;  
 FIG. 9 is a right side elevation view thereof;  
 FIG. 10 is a left side elevation view thereof;  
 FIG. 11 is a front elevation view thereof;  
 FIG. 12 is a rear elevation view thereof;  
 FIG. 13 is a bottom plan view thereof; and,  
 FIG. 14 is a top plan view thereof.

**1 Claim, 4 Drawing Sheets**

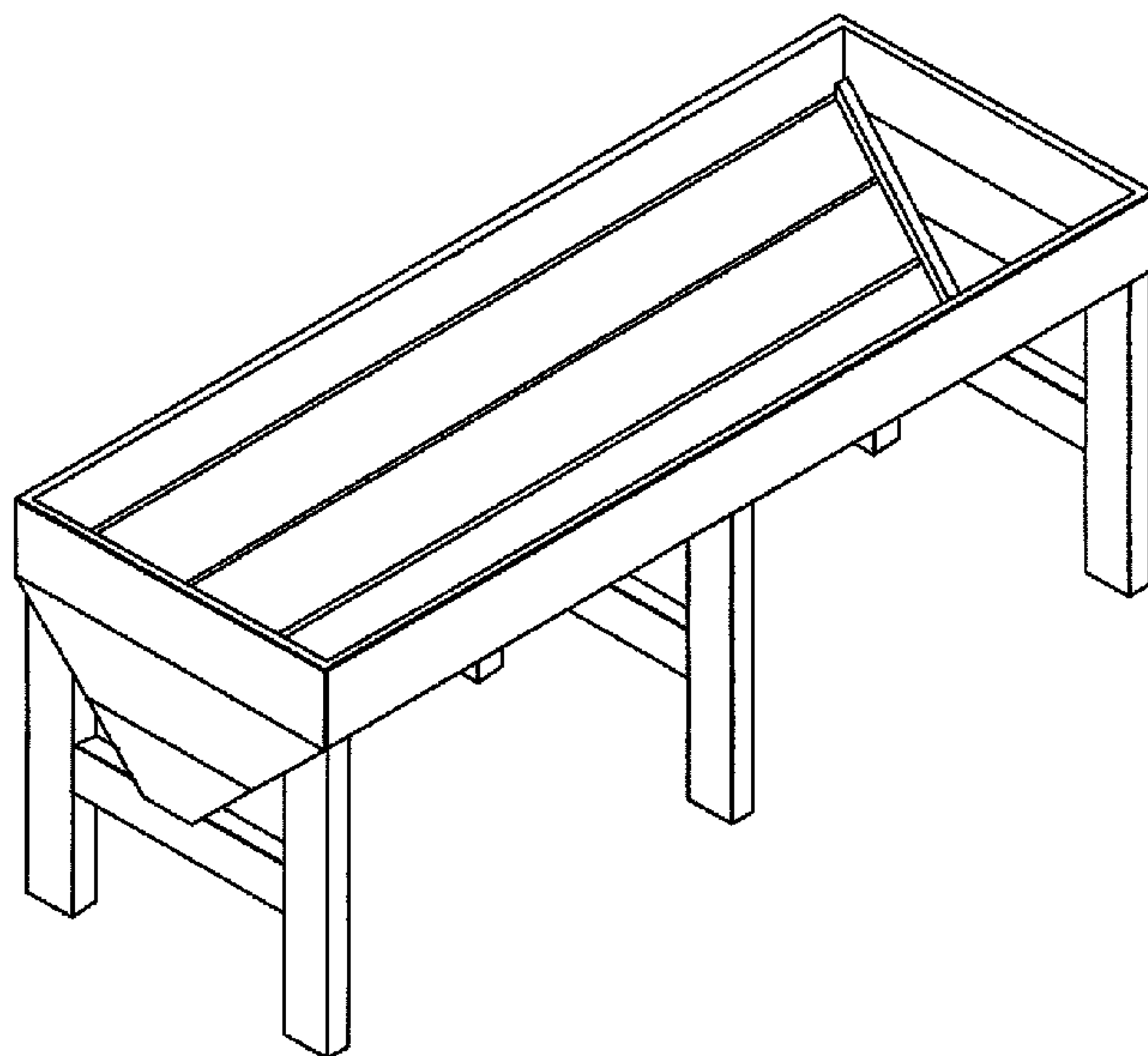
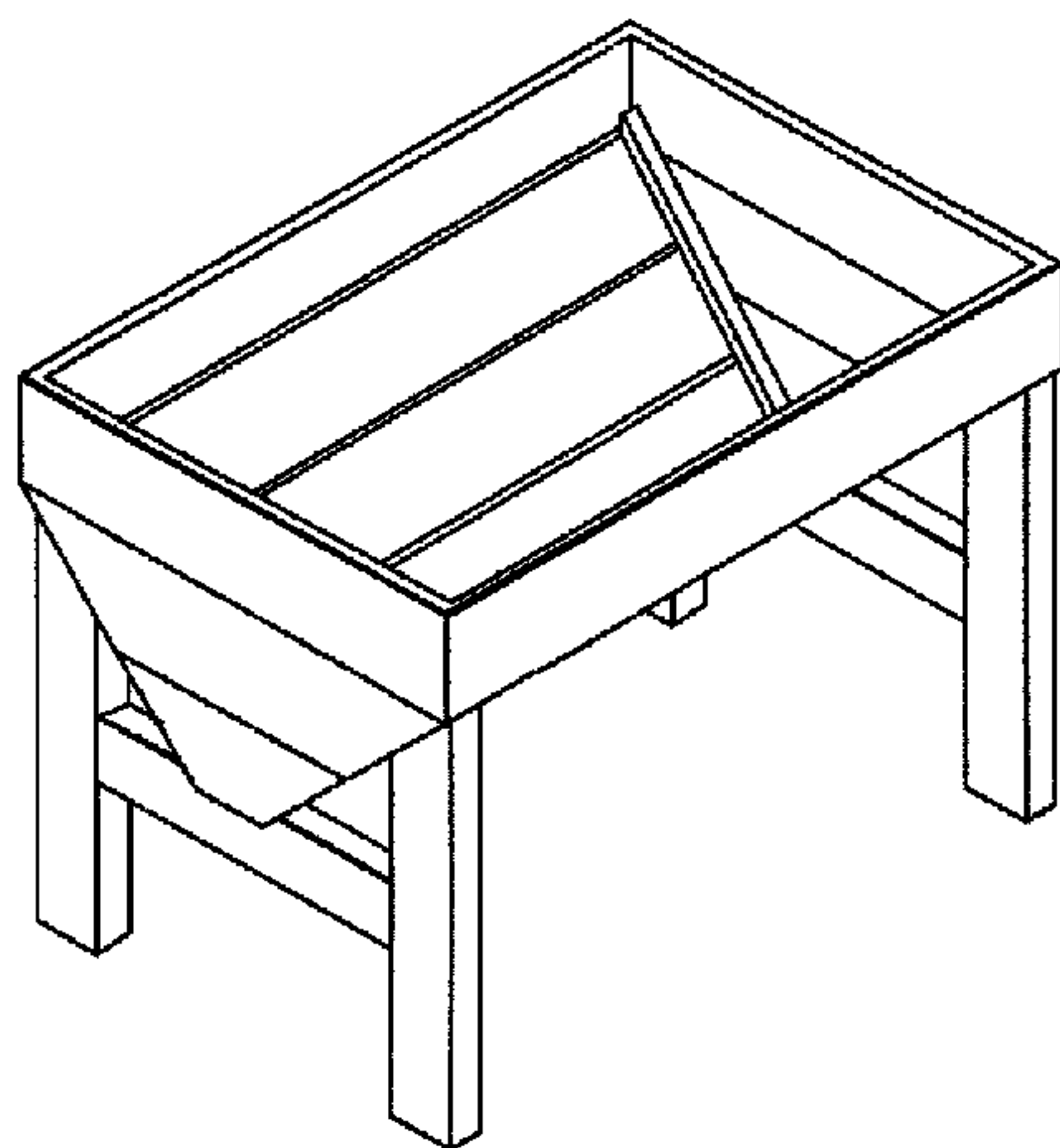


Fig.1

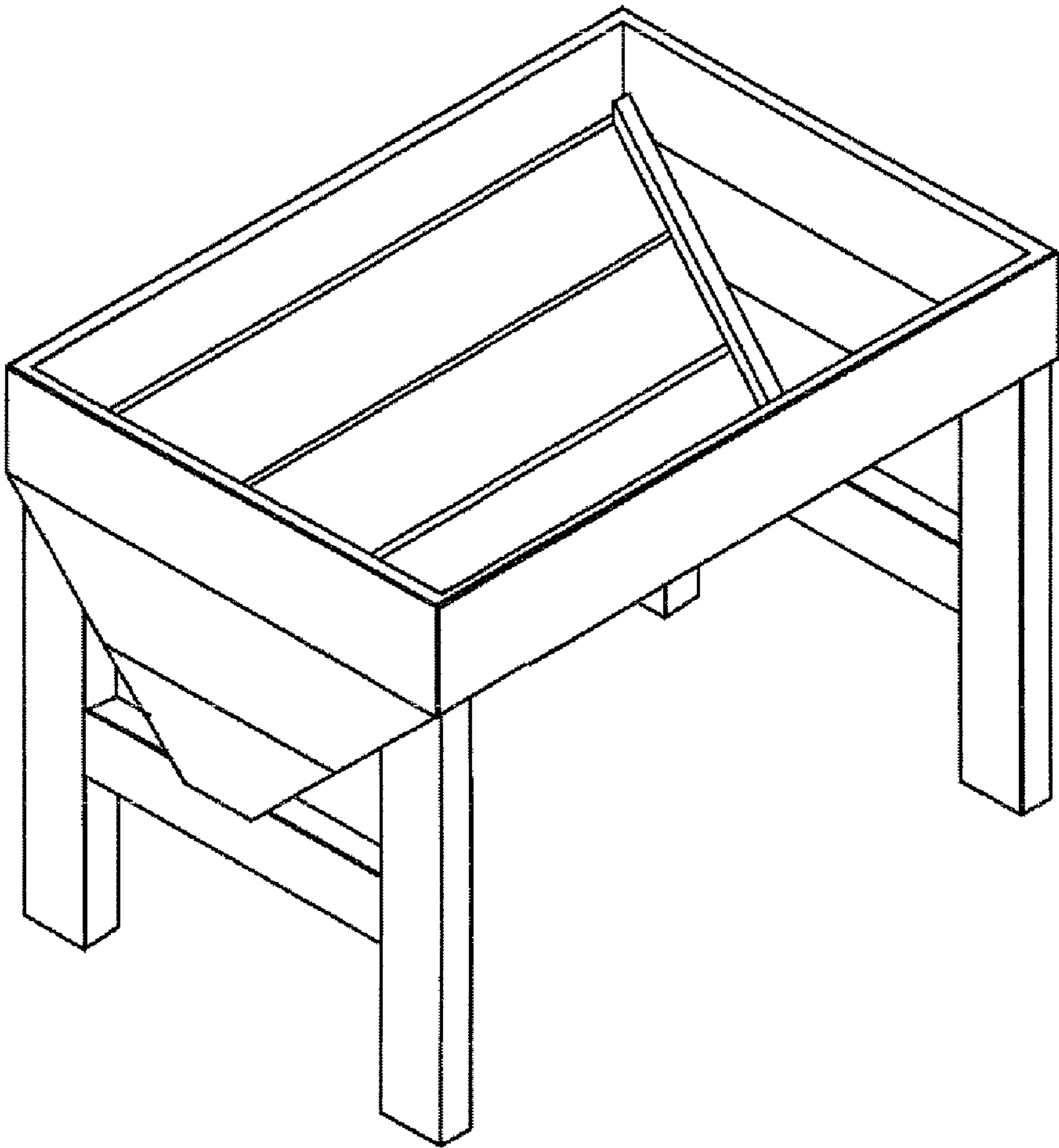


Fig.2

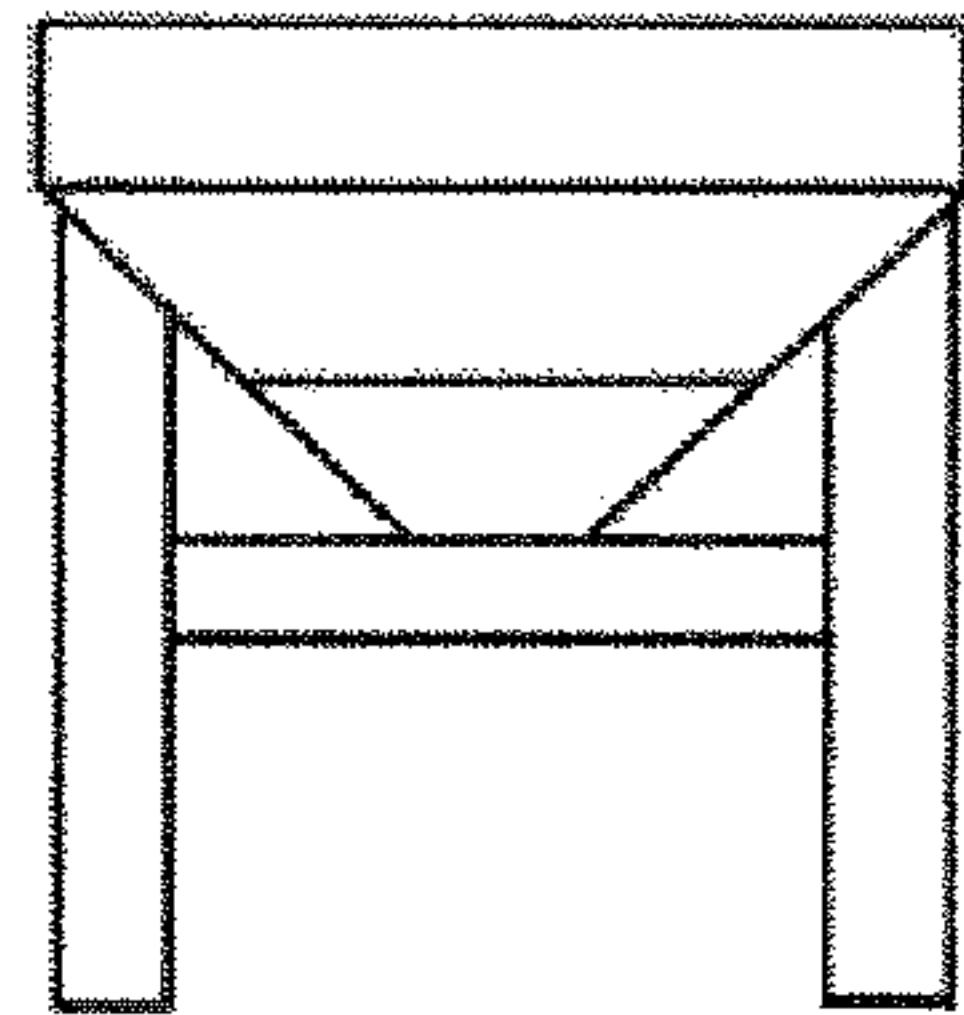


Fig.3

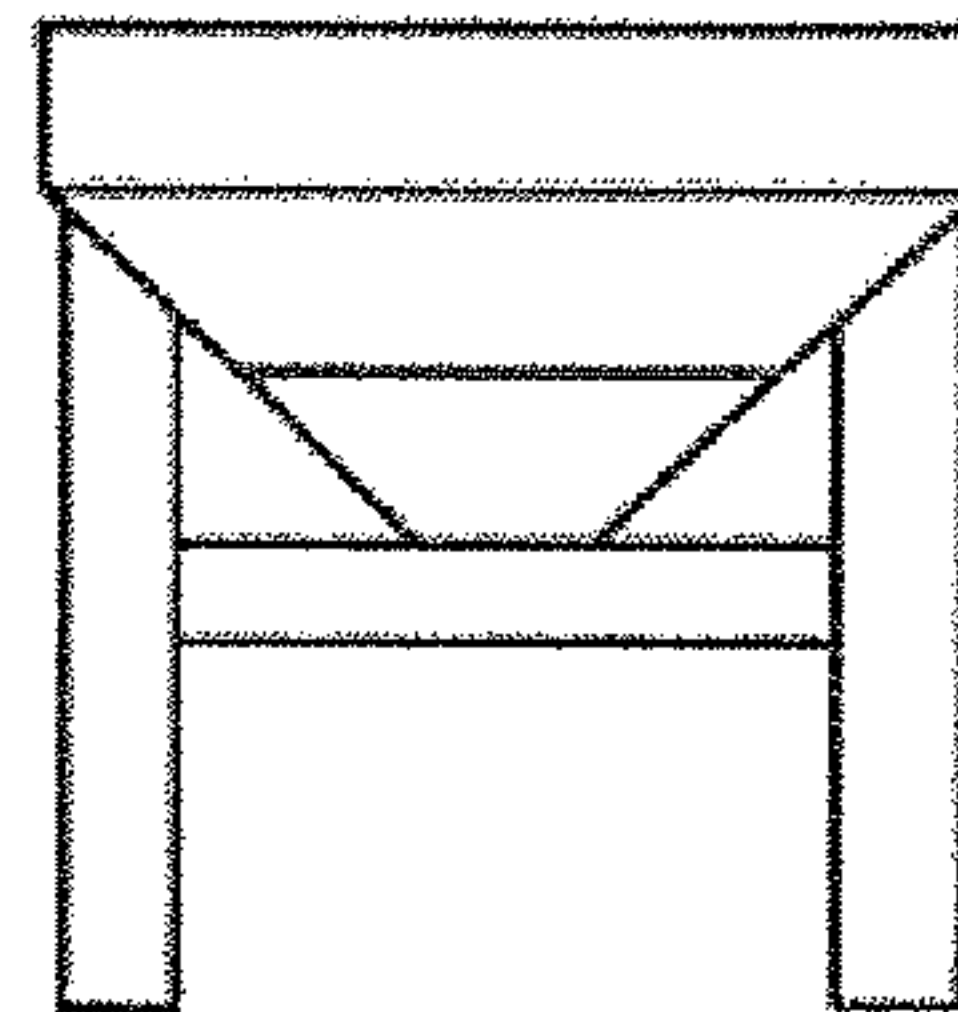


Fig.4

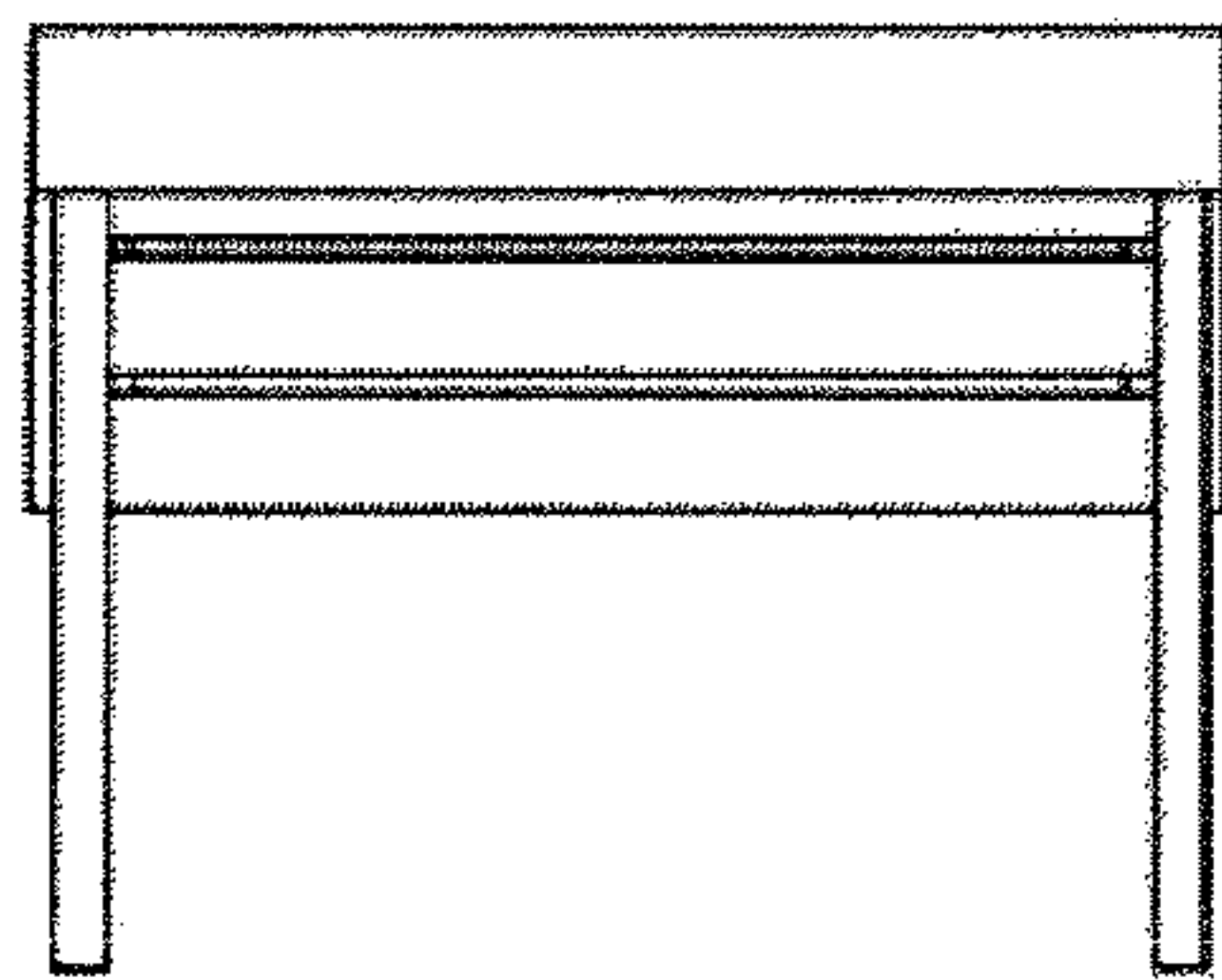


Fig.5

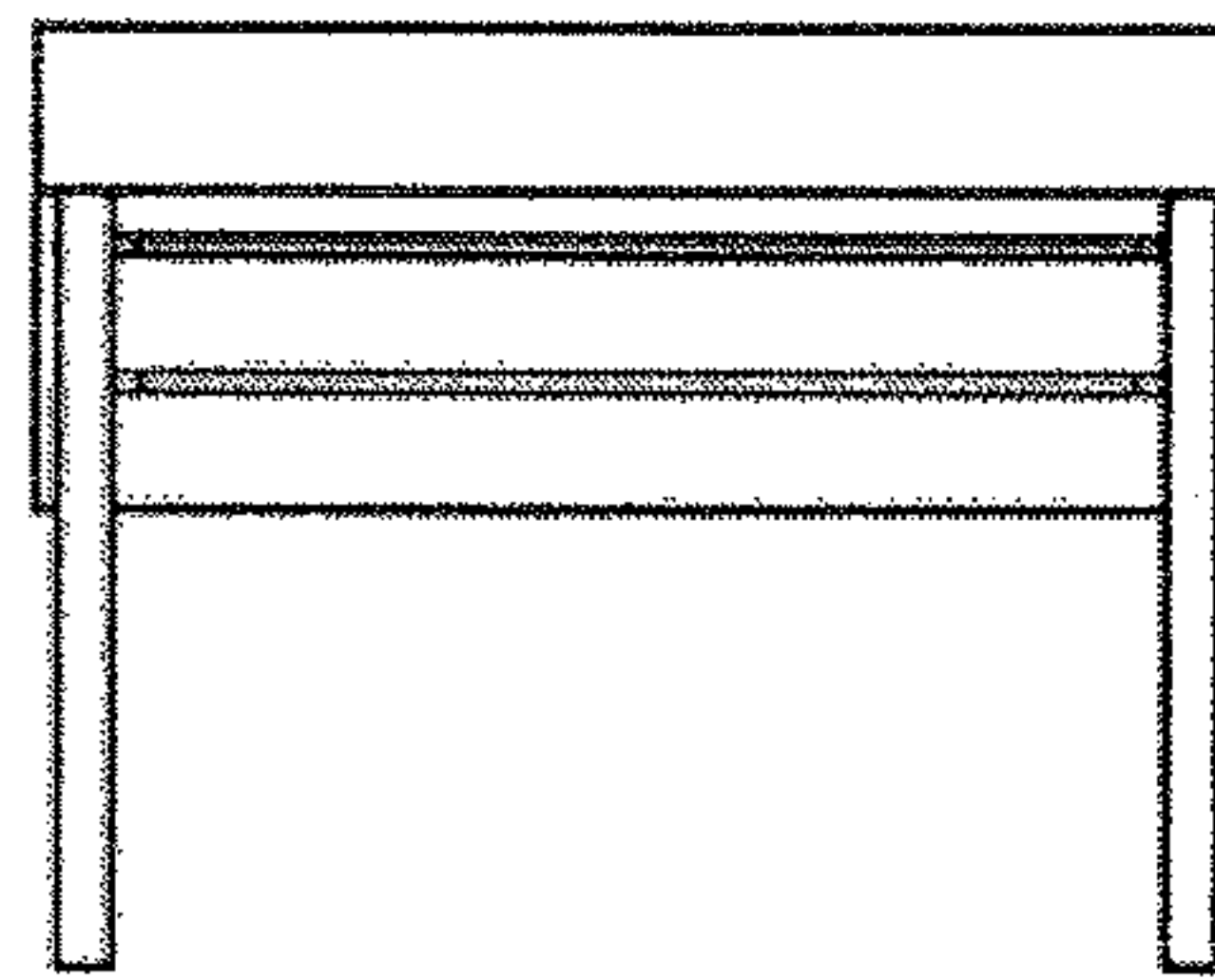


Fig.6

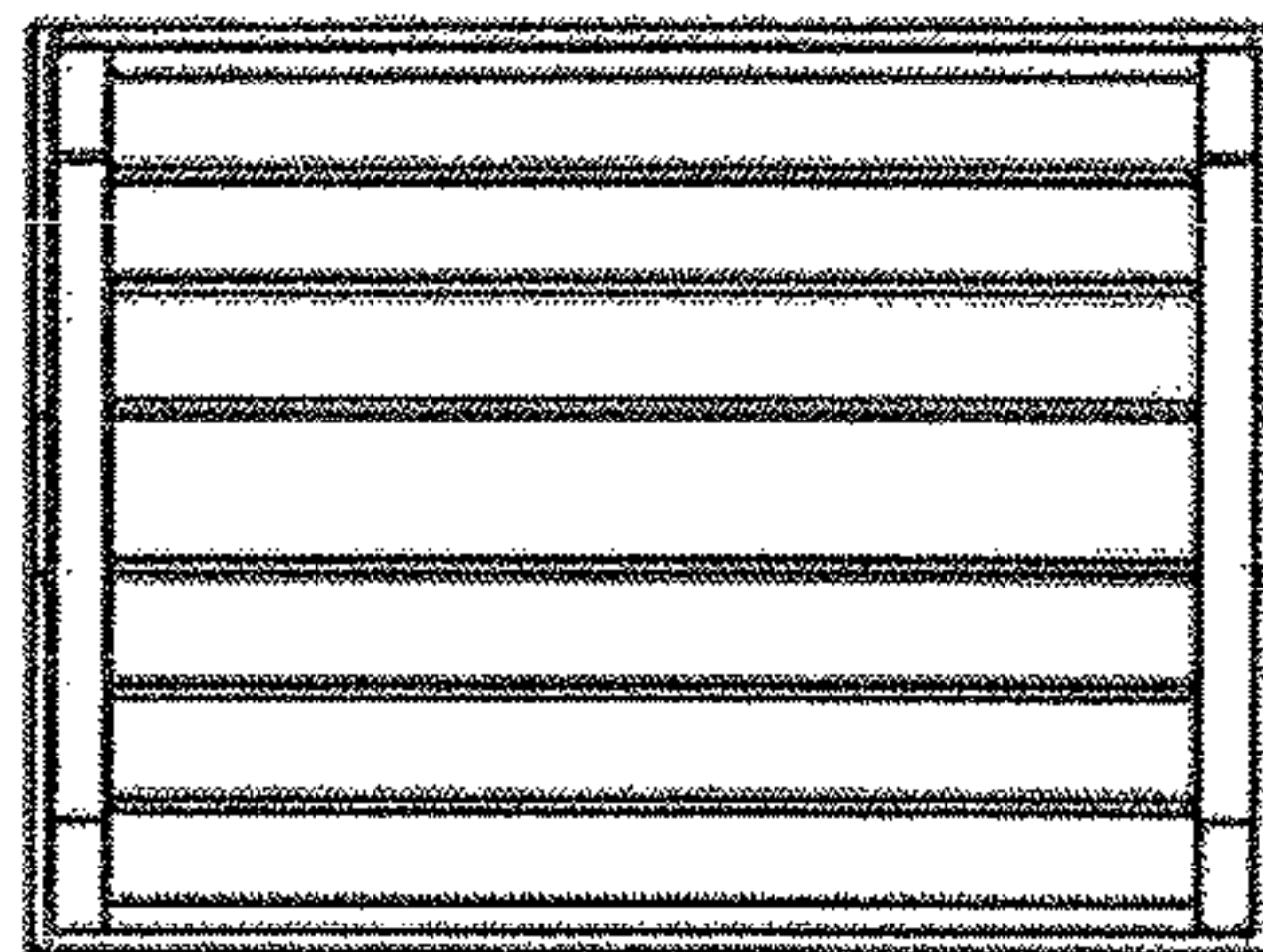


Fig.7

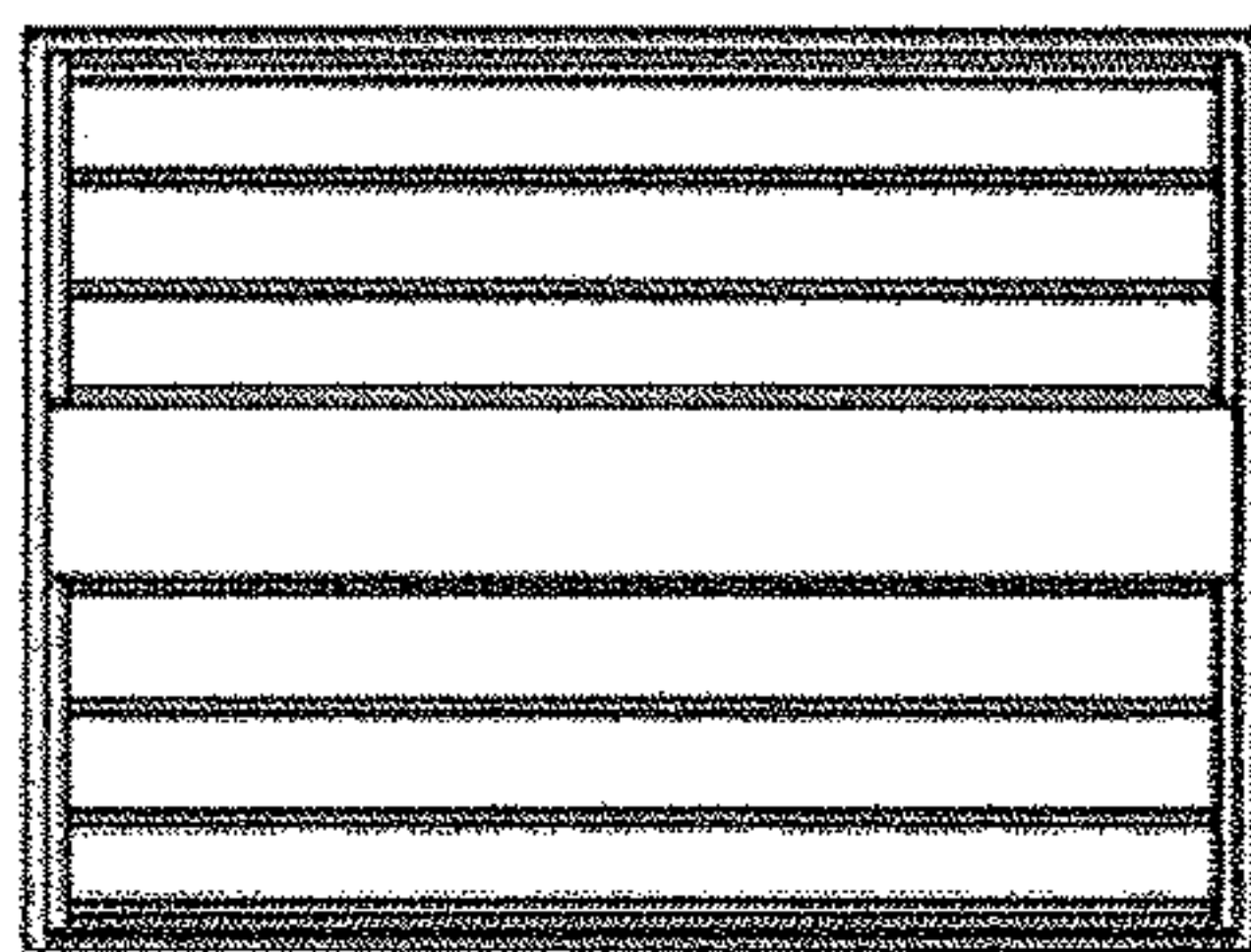


Fig.8

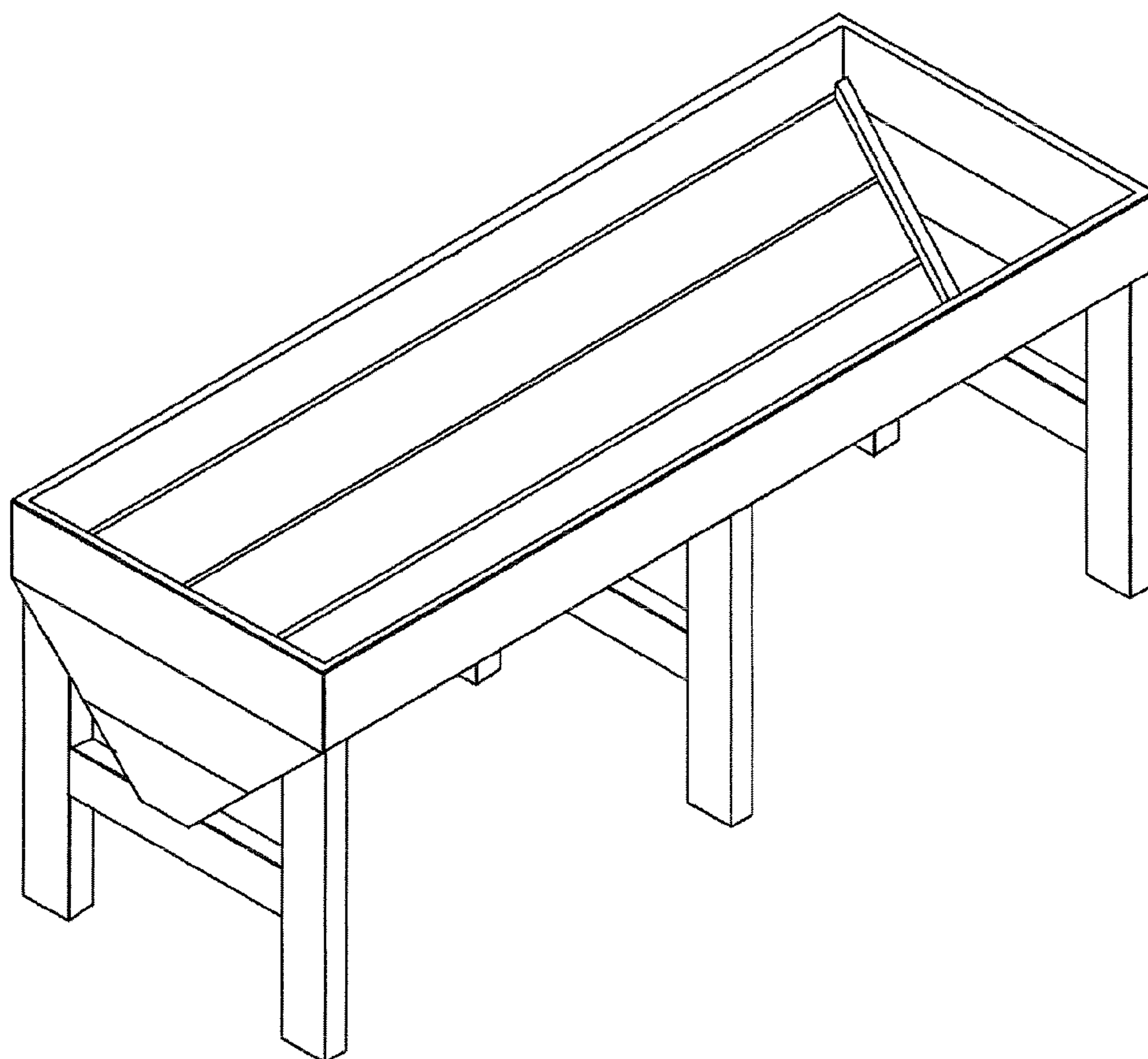




Fig.9

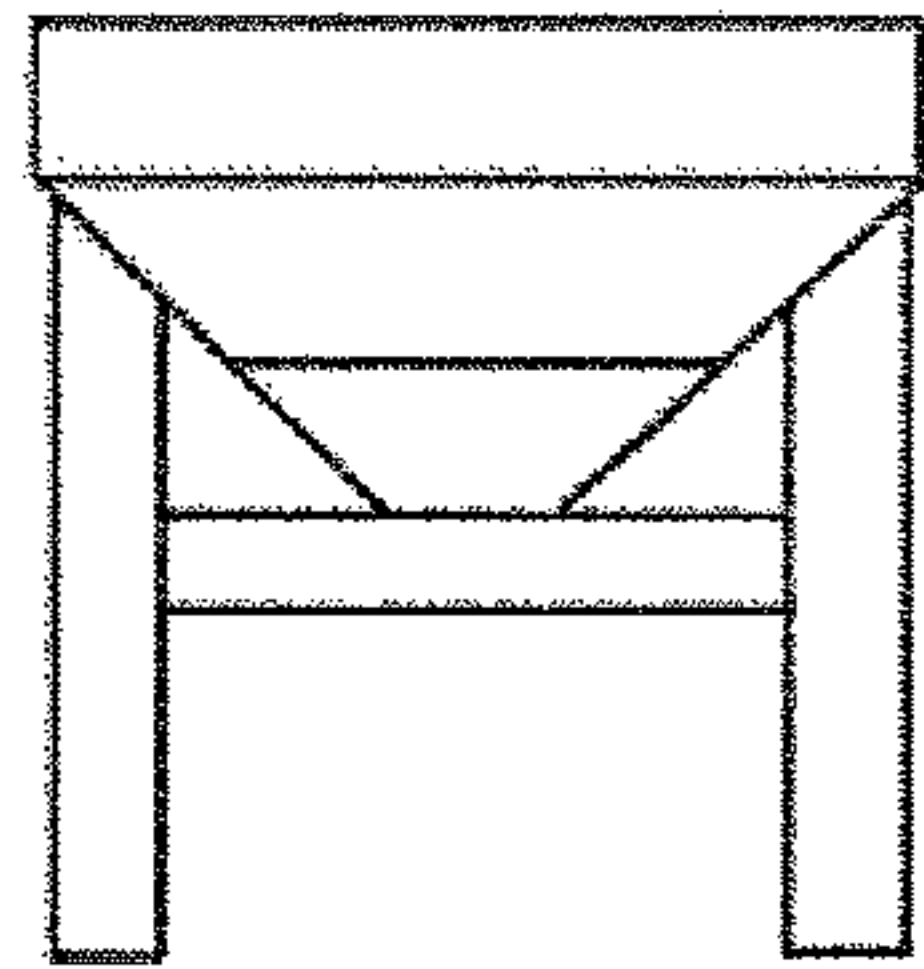


Fig.10

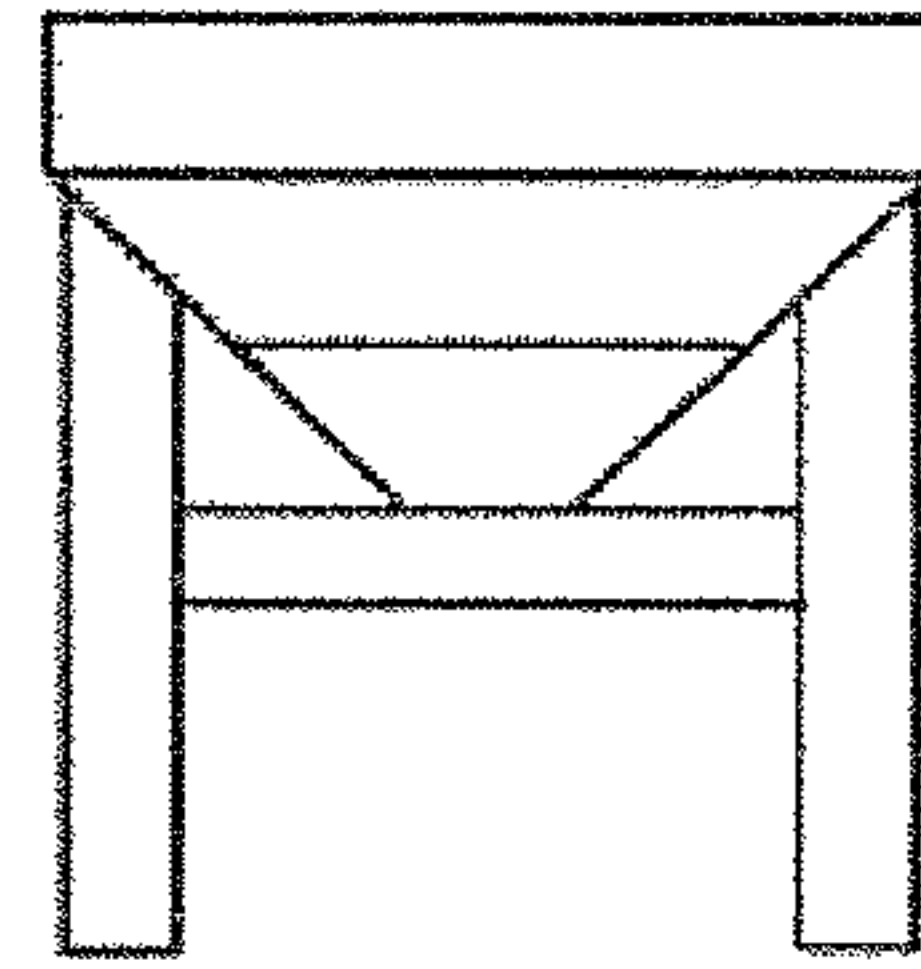


Fig.11

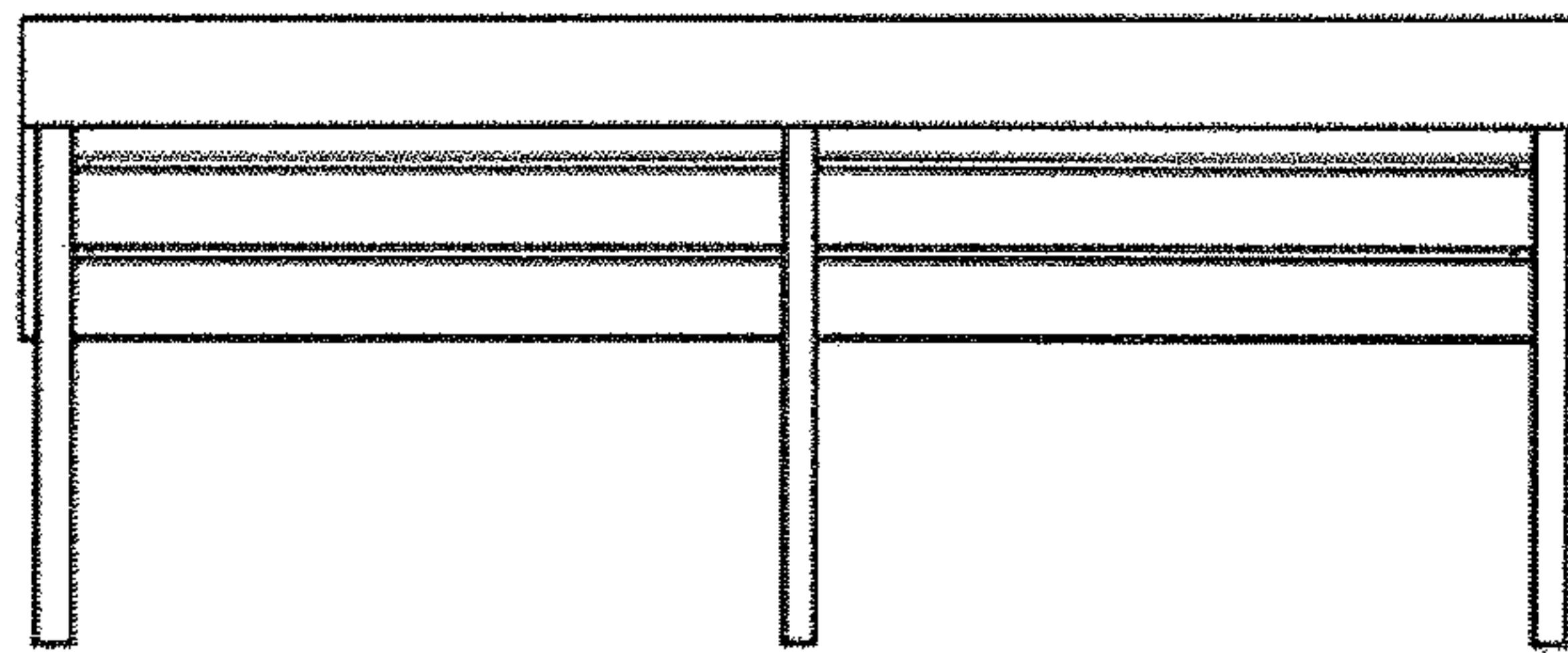


Fig.12

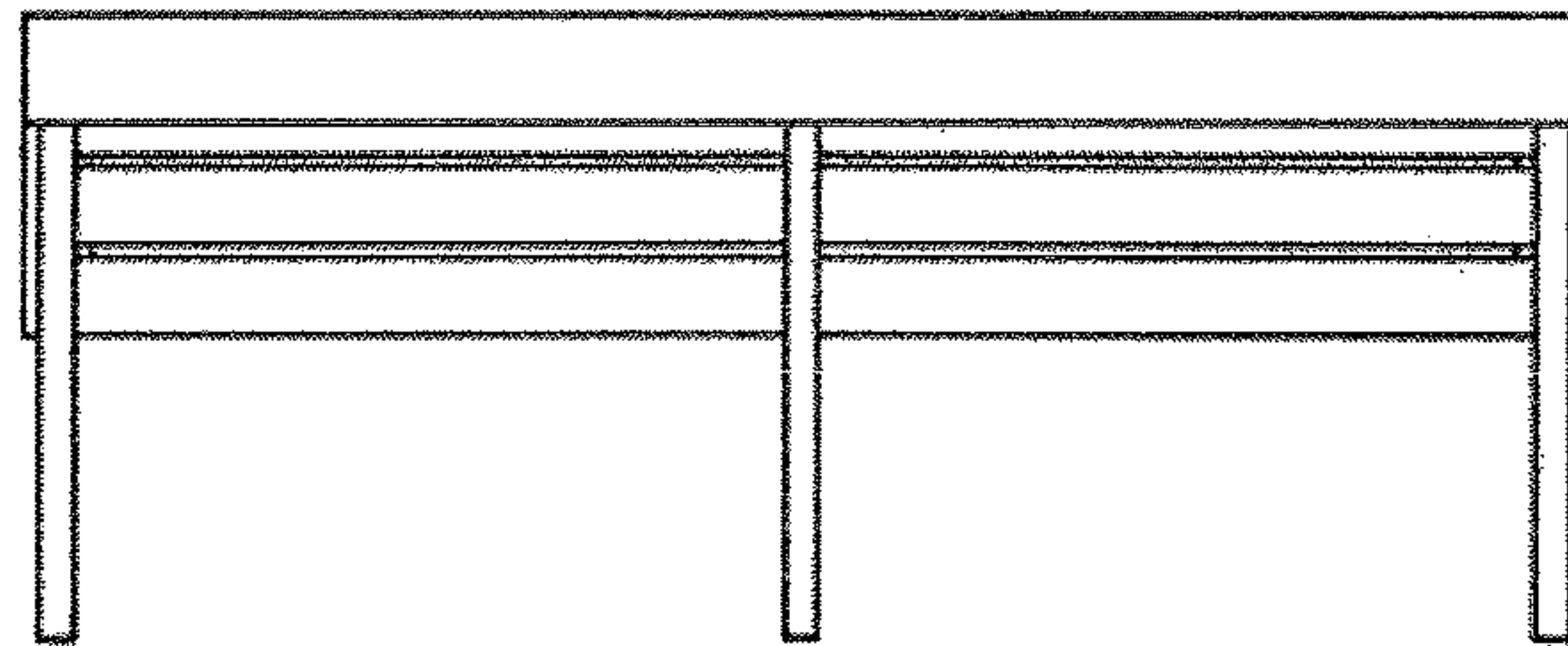


Fig.13

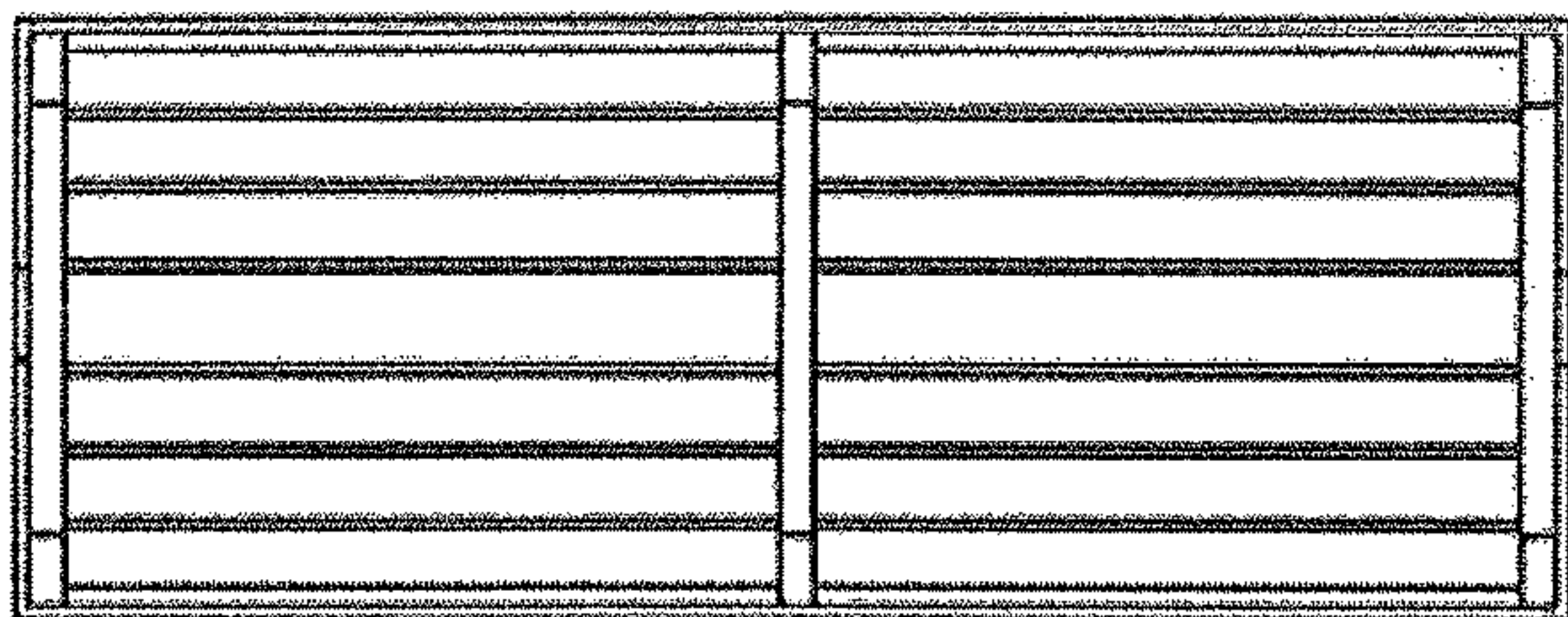


Fig.14

