



US00D643645S

(12) **United States Design Patent**  
**Davis**

(10) **Patent No.:** **US D643,645 S**

(45) **Date of Patent:** **\*\* Aug. 23, 2011**

(54) **BASSINET**

(76) Inventor: **Bradford L. Davis**, Holland, MI (US)

(\*\*) Term: **14 Years**

(21) Appl. No.: **29/378,827**

(22) Filed: **Nov. 10, 2010**

(51) **LOC (9) Cl.** ..... **06-02**

(52) **U.S. Cl.** ..... **D6/390**

(58) **Field of Classification Search** ..... D6/385-387,  
D6/390, 391, 333, 331.503, 429-431, 445,  
D6/446; 5/93.1, 98.1, 98.3, 99.1, 100, 101,  
5/102, 105, 945, 947, 655, 93.2; D34/19-31  
See application file for complete search history.

(56) **References Cited**

**U.S. PATENT DOCUMENTS**

D93,203 S *	9/1934	Burst	.....	D21/520
D136,011 S *	7/1943	Doty	.....	D6/384
D183,345 S *	8/1958	Gottlieb	.....	D34/19
D250,584 S *	12/1978	Oye	.....	D34/20
D357,781 S *	4/1995	Crinion	.....	D34/19
D373,489 S *	9/1996	Tabbia	.....	D6/441
D407,233 S *	3/1999	Naas et al.	.....	D6/425

\* cited by examiner

*Primary Examiner* — Janice Seeger

(74) *Attorney, Agent, or Firm* — Warner Norcross & Judd LLP

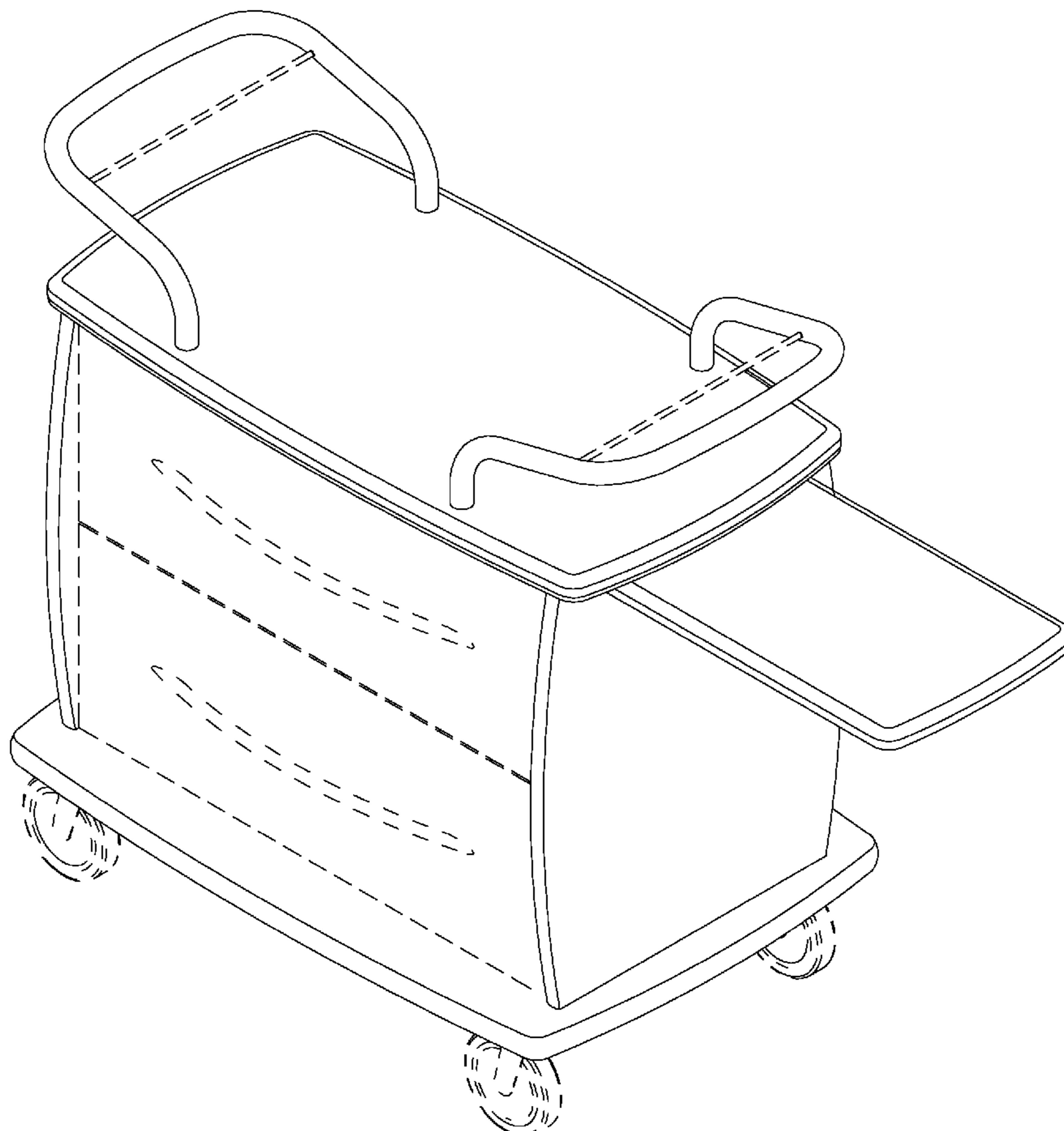
(57) **CLAIM**

The ornamental design for bassinet, as shown and described.

**DESCRIPTION**

FIG. 1 is a perspective view of the bassinet embodying my new design;  
FIG. 2 is a perspective view of the bassinet with a pull-out surface extended;  
FIG. 3 is a front view thereof, the rear view being a mirror image thereof;  
FIG. 4 is a top plan view thereof;  
FIG. 5 is a bottom plan view thereof;  
FIG. 6 is a right side elevational view thereof; and,  
FIG. 7 is a left side elevational view thereof.  
FIGS. 1-7 show portions of the bassinet in phantom lines. The phantom line portions are shown for environmental purposes and form no part of the claimed design.

**1 Claim, 7 Drawing Sheets**



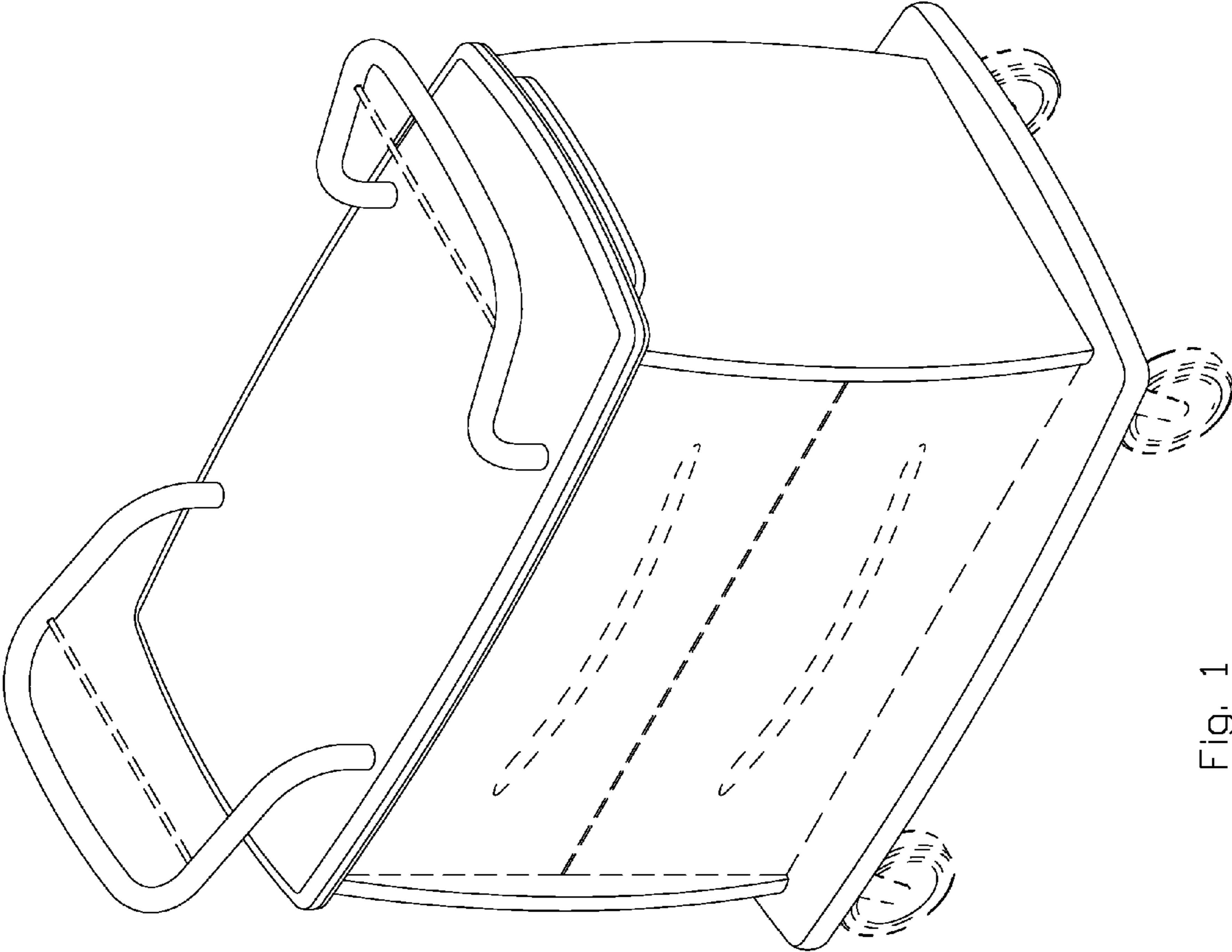


Fig. 1

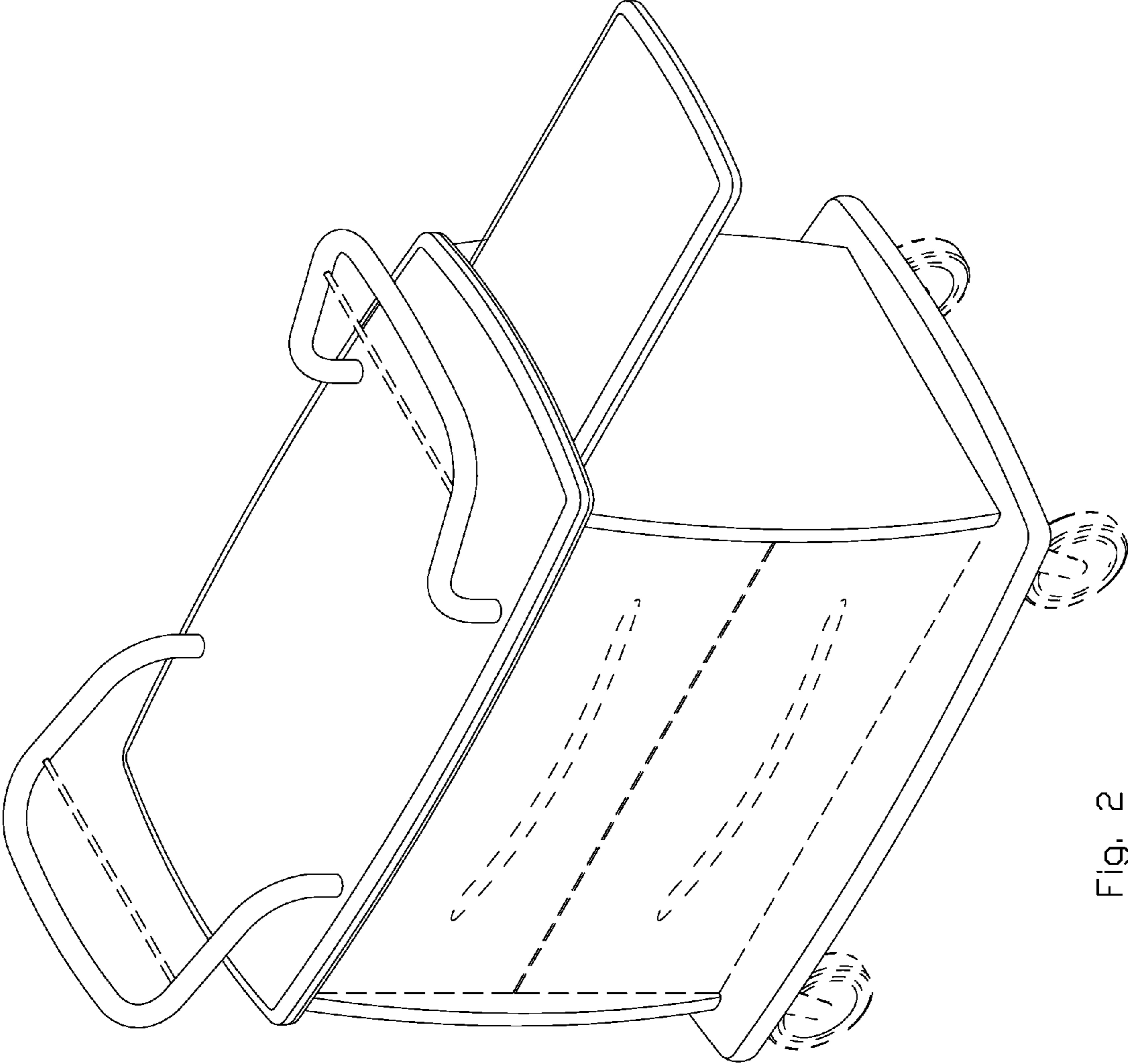


Fig. 2

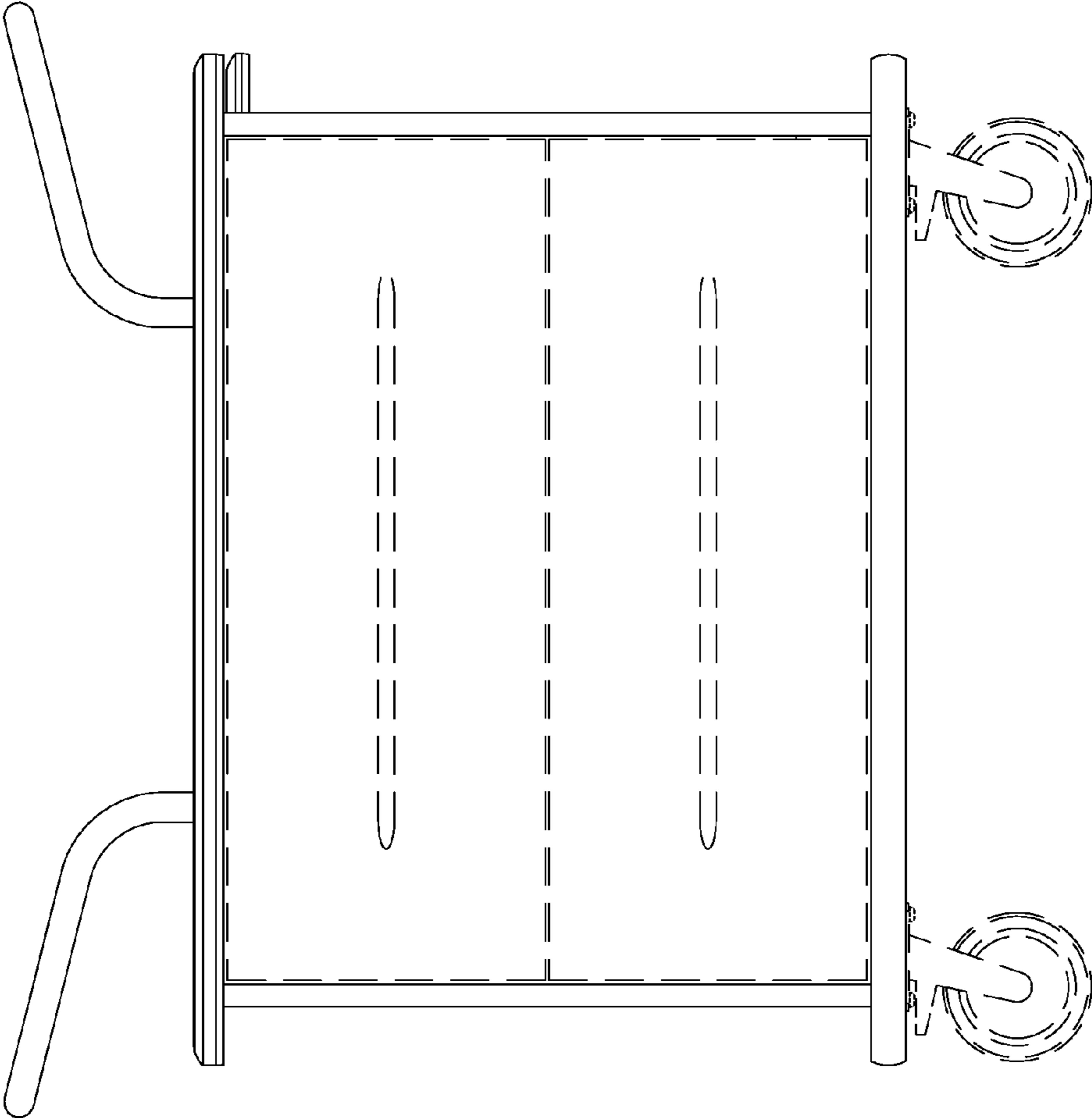


Fig. 3

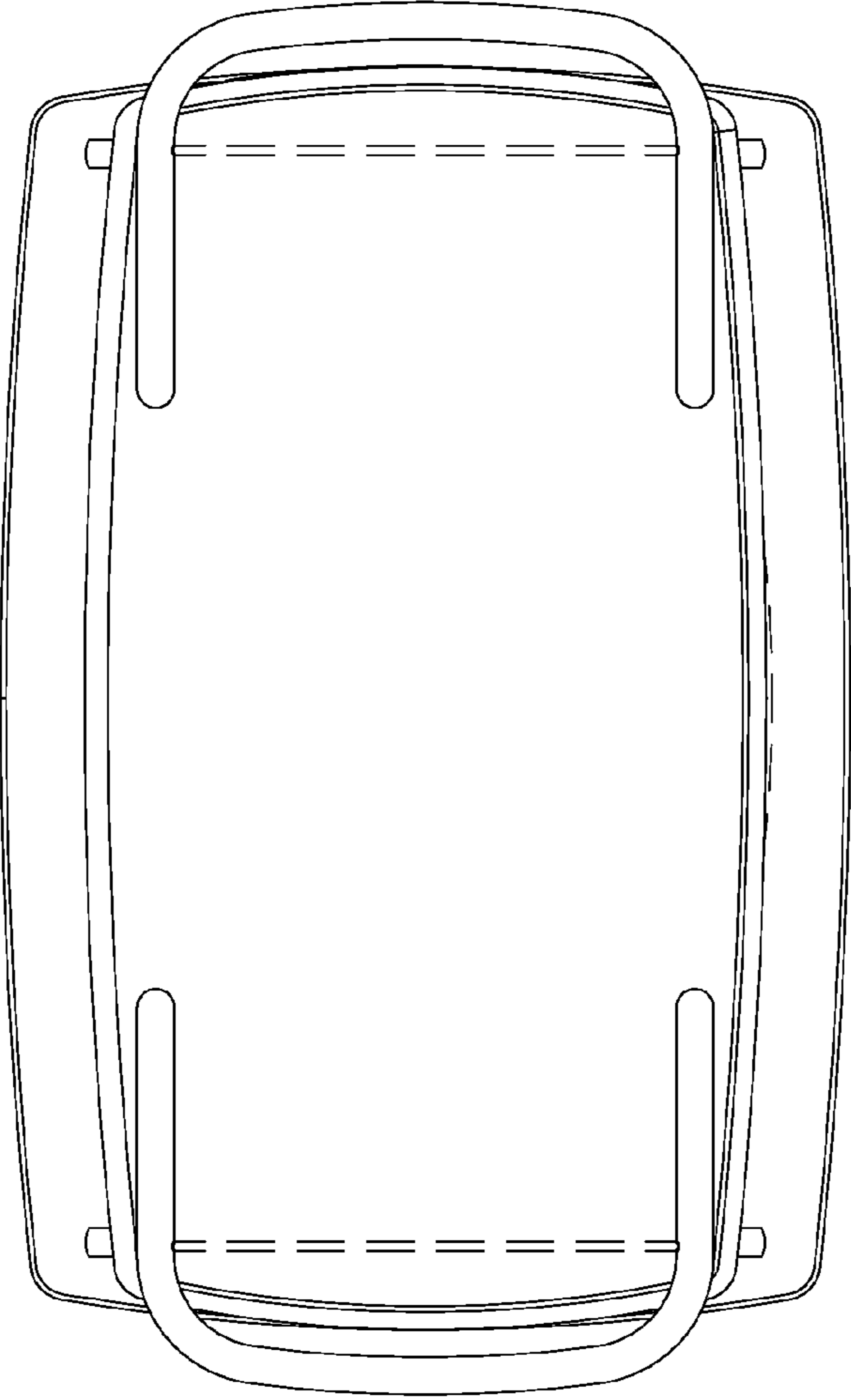


Fig. 4

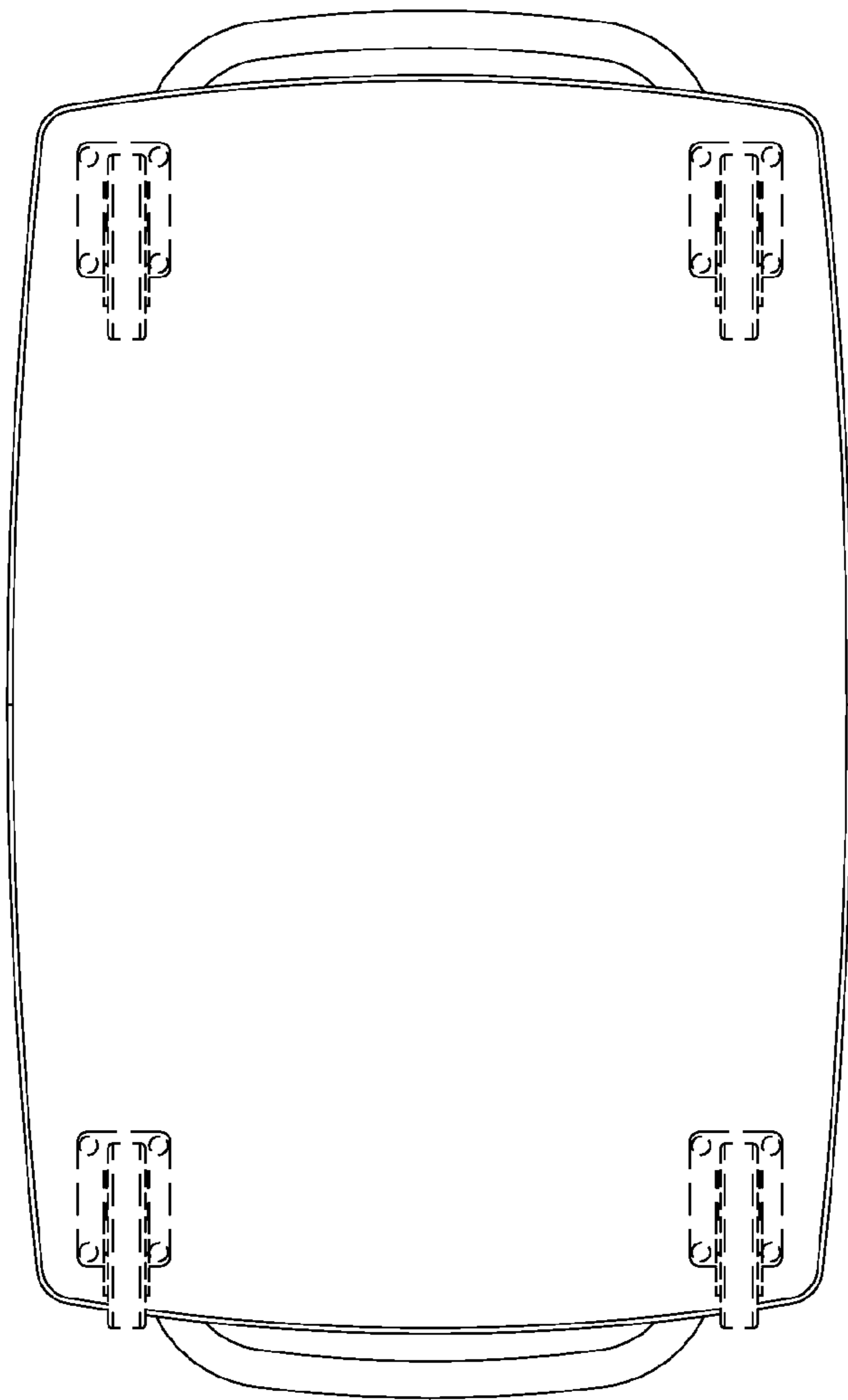


Fig. 5

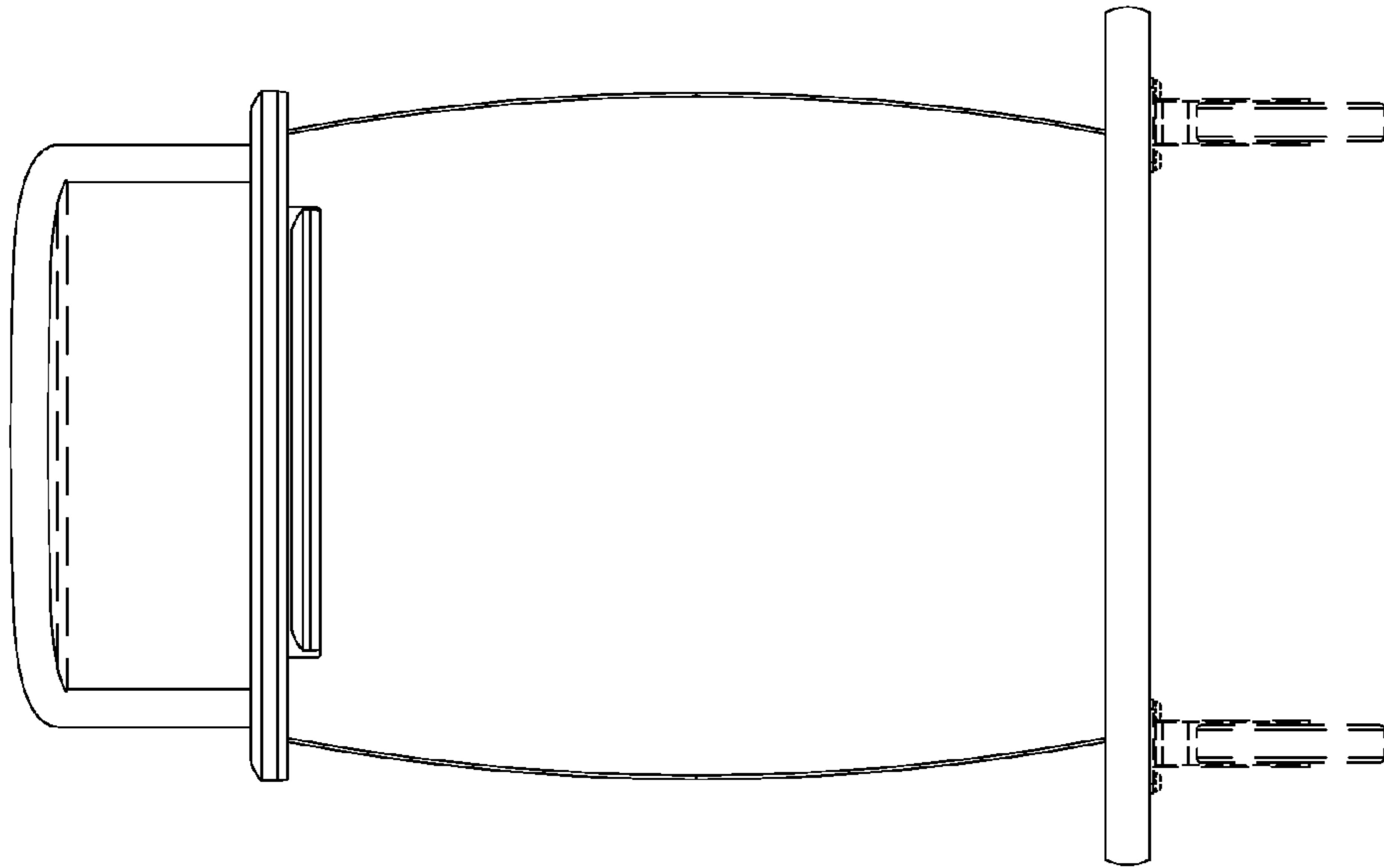


Fig. 6

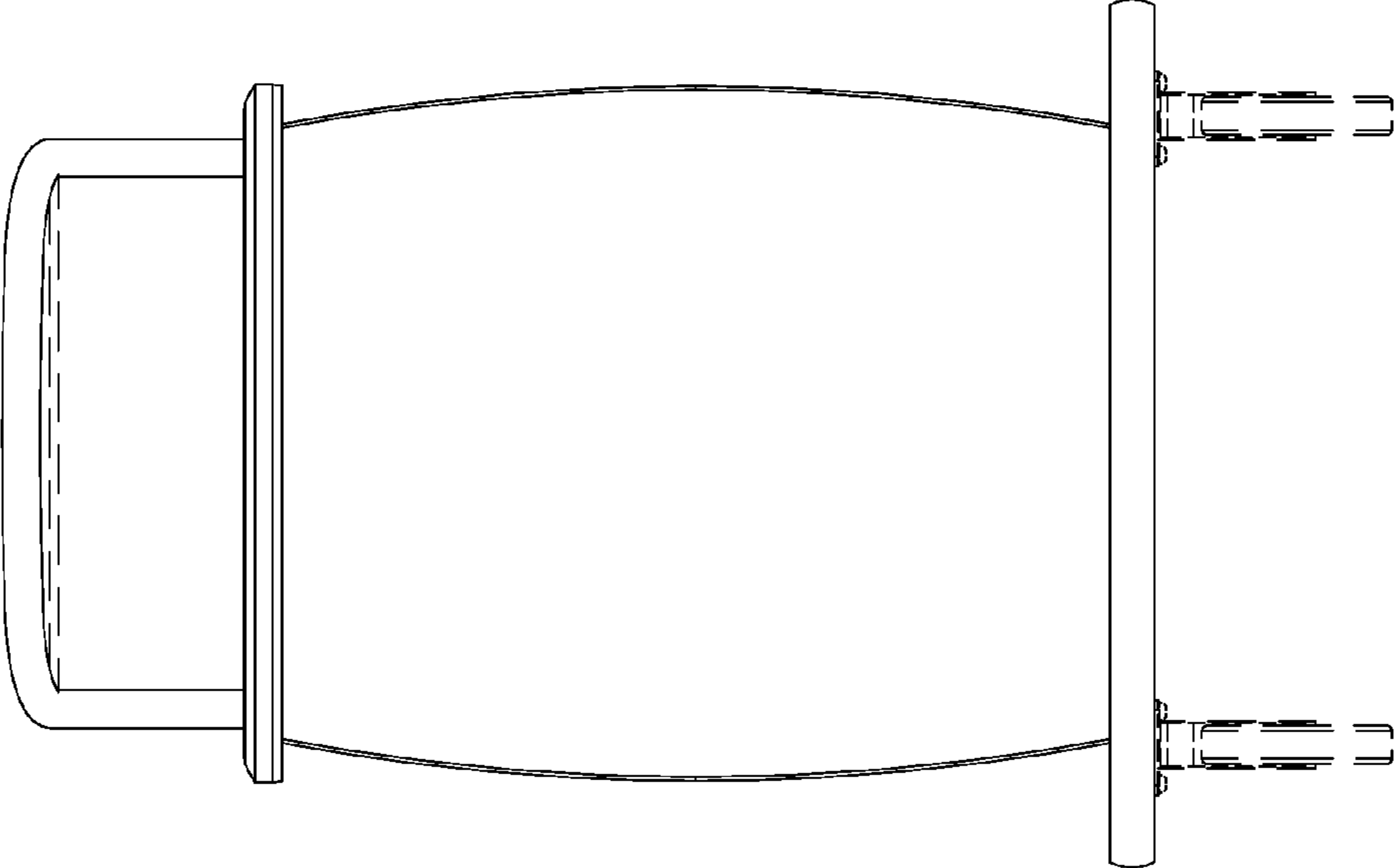


Fig. 7