



US00D643644S

(12) **United States Design Patent**
Ehrlich

(10) **Patent No.:** **US D643,644 S**

(45) **Date of Patent:** **** Aug. 23, 2011**

(54) **ROCKING CRADLE**

(76) **Inventor:** **John Ehrlich**, Oregon City, OR (US)

(**) **Term:** **14 Years**

(21) **Appl. No.:** **29/357,424**

(22) **Filed:** **Mar. 11, 2010**

(51) **LOC (9) Cl.** **06-02**

(52) **U.S. Cl.** **D6/385; D6/391**

(58) **Field of Classification Search** D6/385-387,
D6/390, 391, 333, 331.503; 5/93.1, 98.1,
5/98.3, 99.1, 100, 101, 102, 105, 945, 947,
5/655, 93.2; D21/520

See application file for complete search history.

(56) **References Cited**

U.S. PATENT DOCUMENTS

D136,066 S *	7/1943	Makrianes	D21/520
D165,921 S *	2/1952	Ippolito	D21/520
D273,154 S *	3/1984	Almela	D6/385
D329,759 S *	9/1992	Gandy	D6/385

D423,608 S *	4/2000	Michaelson	D21/520
6,973,686 B2 *	12/2005	Kenan	5/101
2005/0071919 A1 *	4/2005	Kenan	5/93.1

* cited by examiner

Primary Examiner — Janice Seeger

(74) *Attorney, Agent, or Firm* — Mohr IP Law Solutions, P.C.

(57) **CLAIM**

The ornamental design for a rocking cradle, as shown and described.

DESCRIPTION

FIG. 1 is a front perspective view of a rocking cradle according to one embodiment.

FIG. 2 is a front elevation view of the rocking cradle, the rear elevation view being a mirror image thereof.

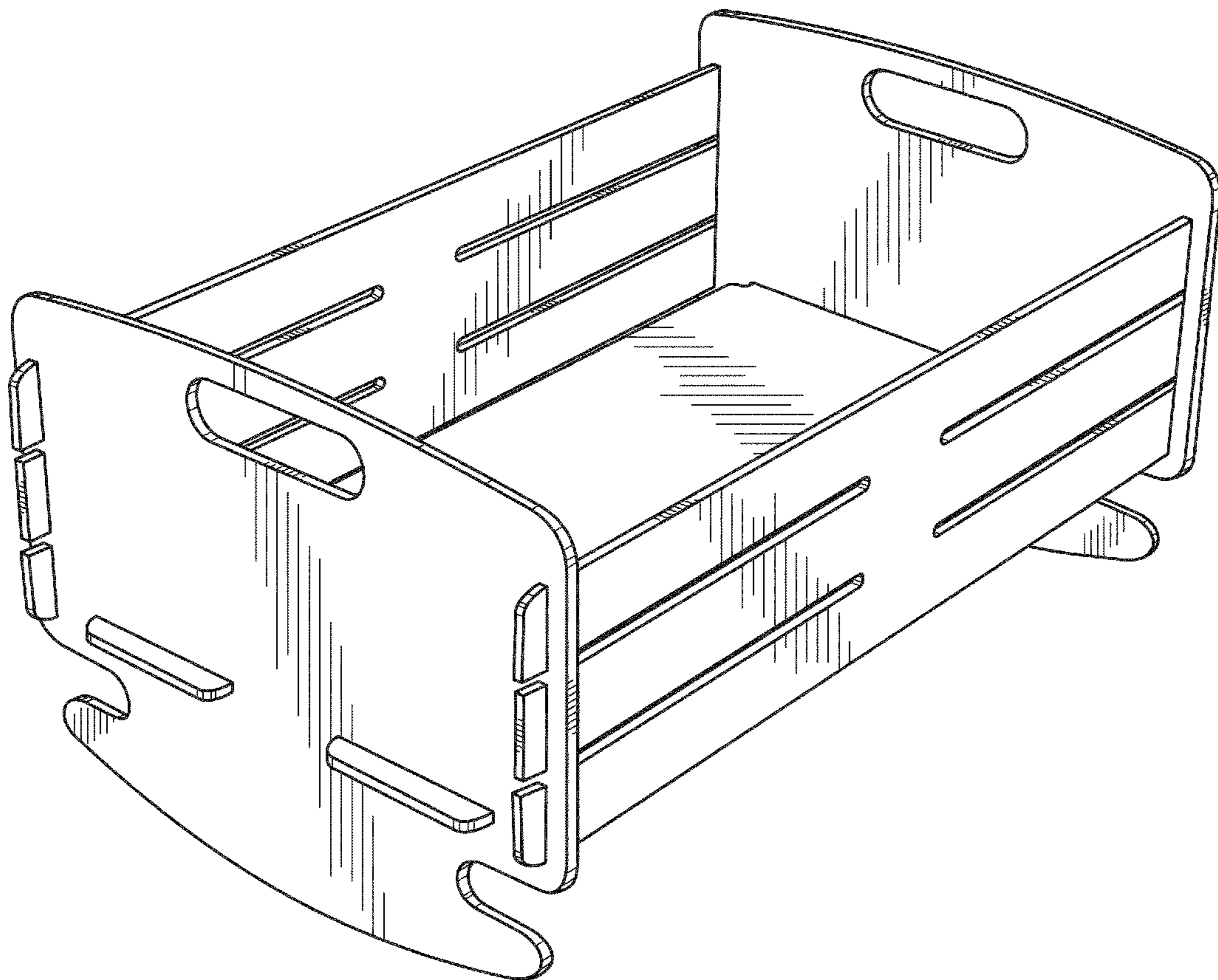
FIG. 3 is a right side elevation view of the rocking cradle, the left side elevation view being a mirror image thereof.

FIG. 4 is a top elevation view of the rocking cradle.

FIG. 5 is a bottom elevation view of the rocking cradle; and,

FIG. 6 is an exploded isometric view of the rocking cradle.

1 Claim, 4 Drawing Sheets



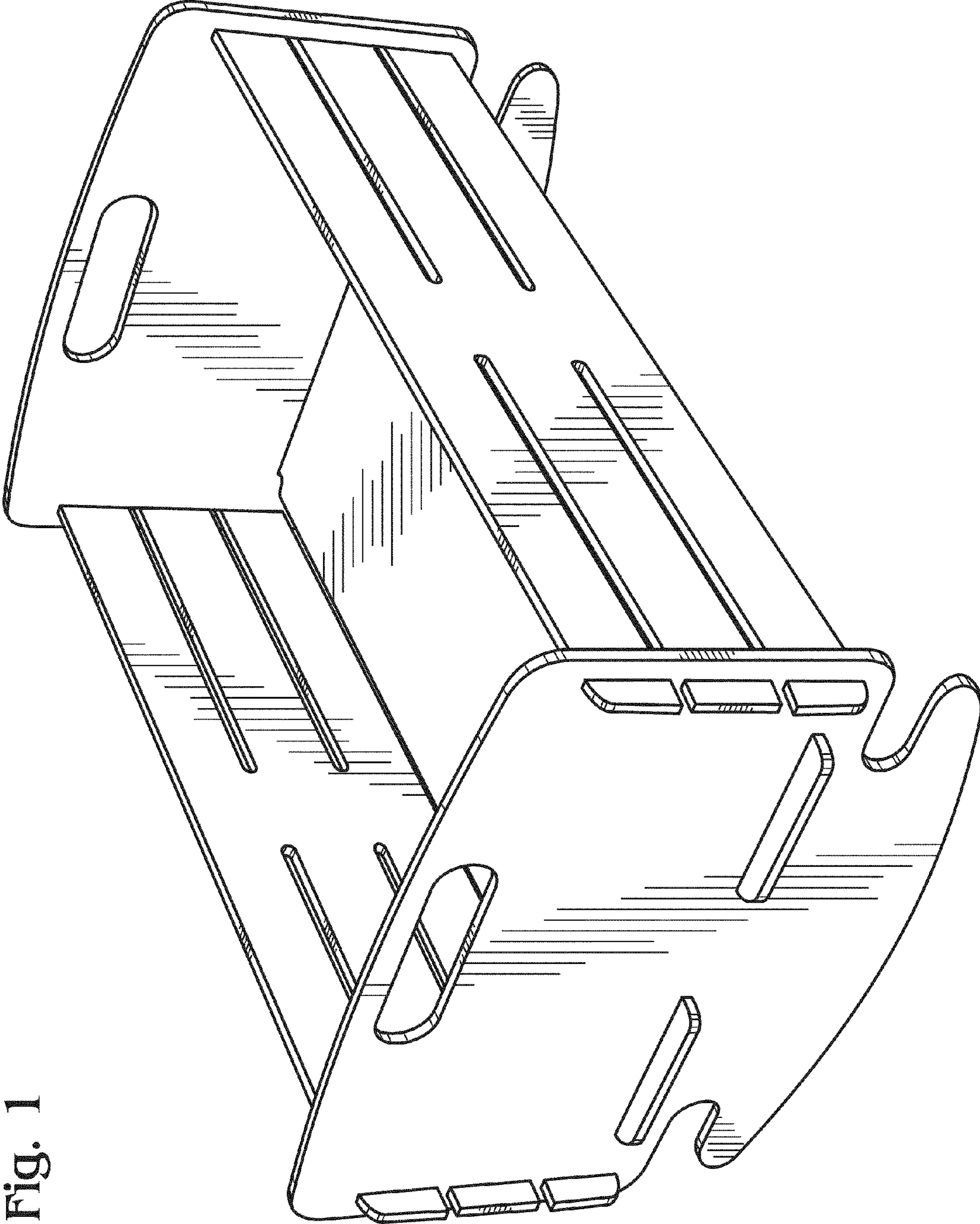


Fig. 1

Fig. 2

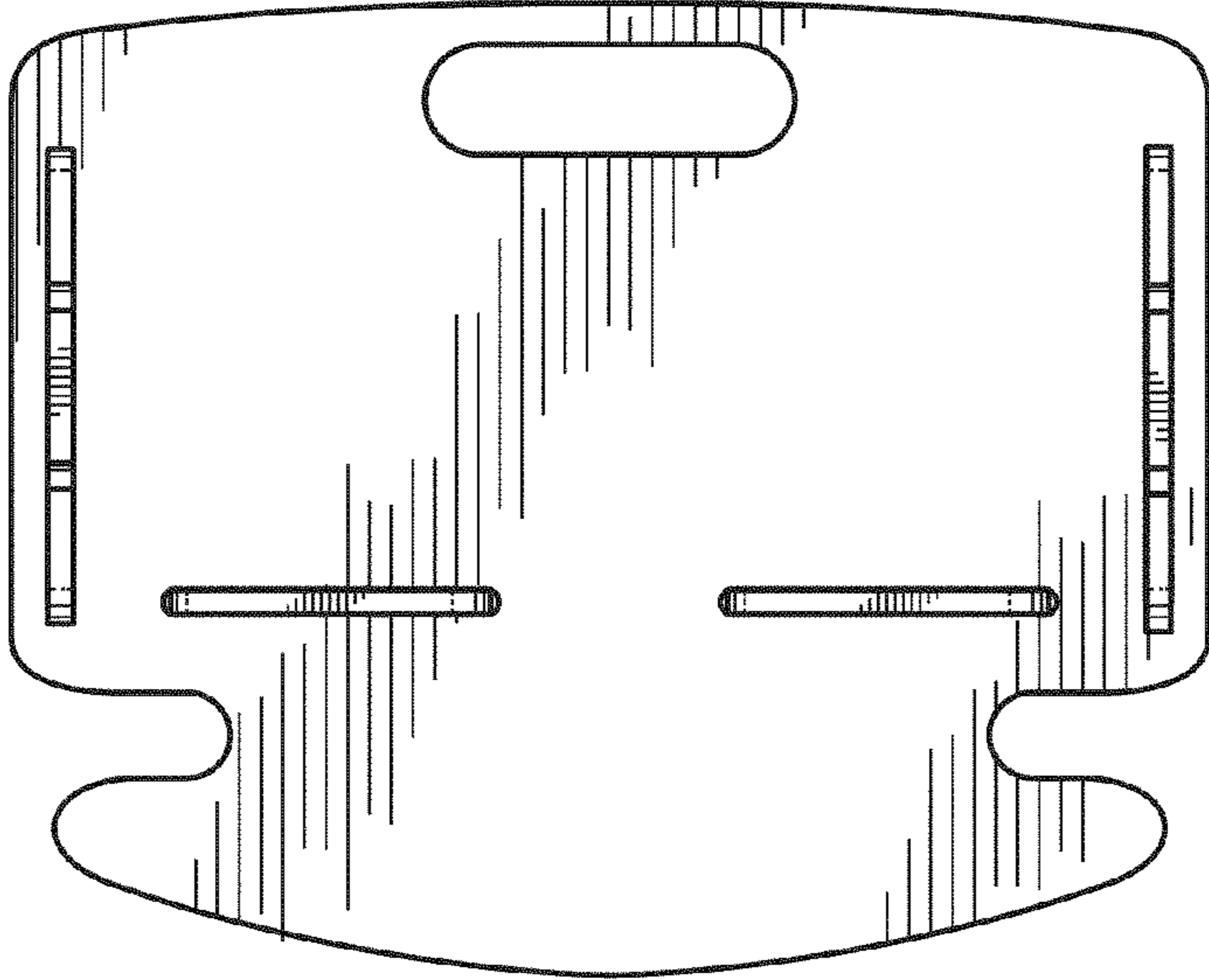


Fig. 3

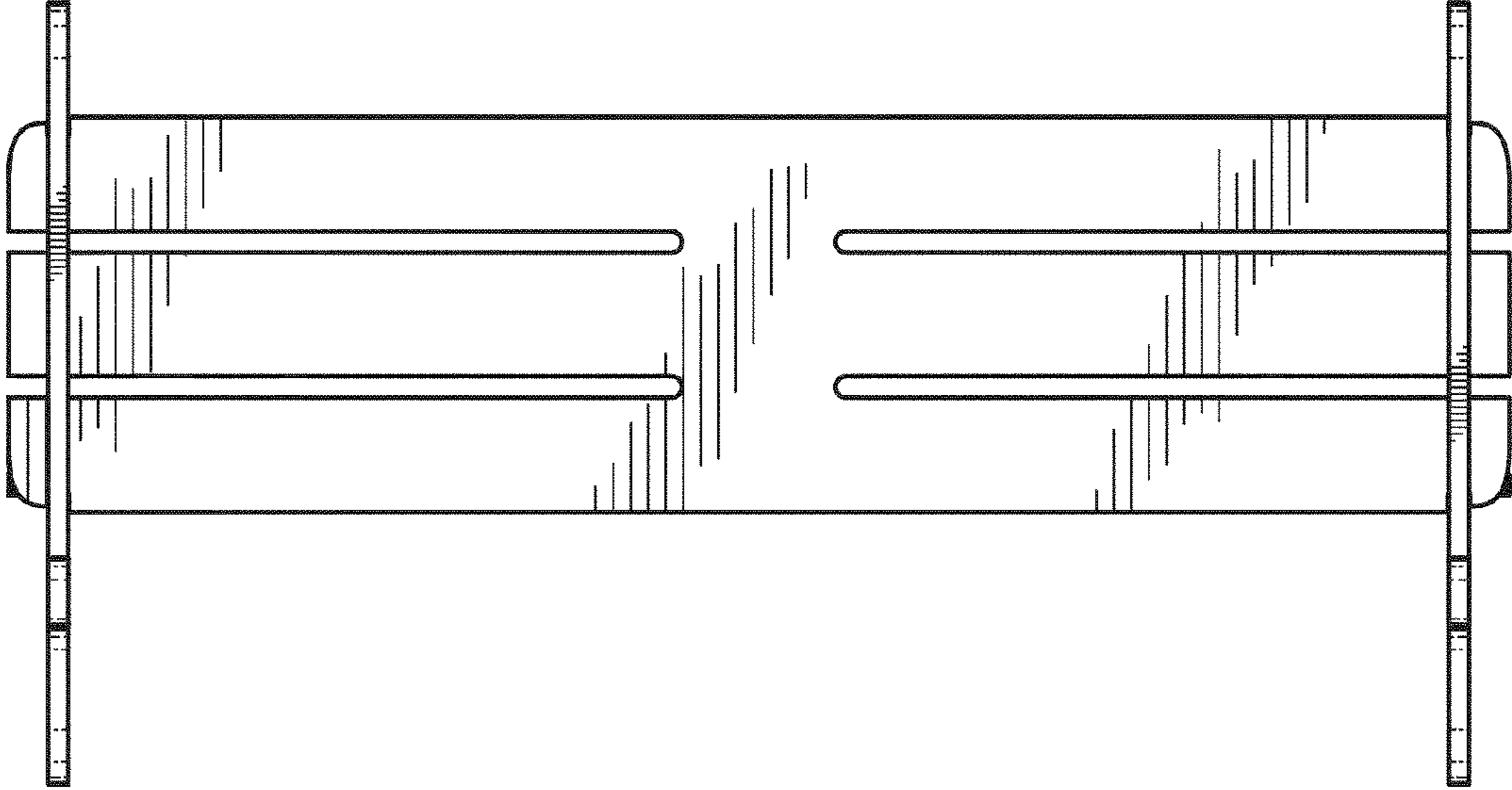


Fig. 4

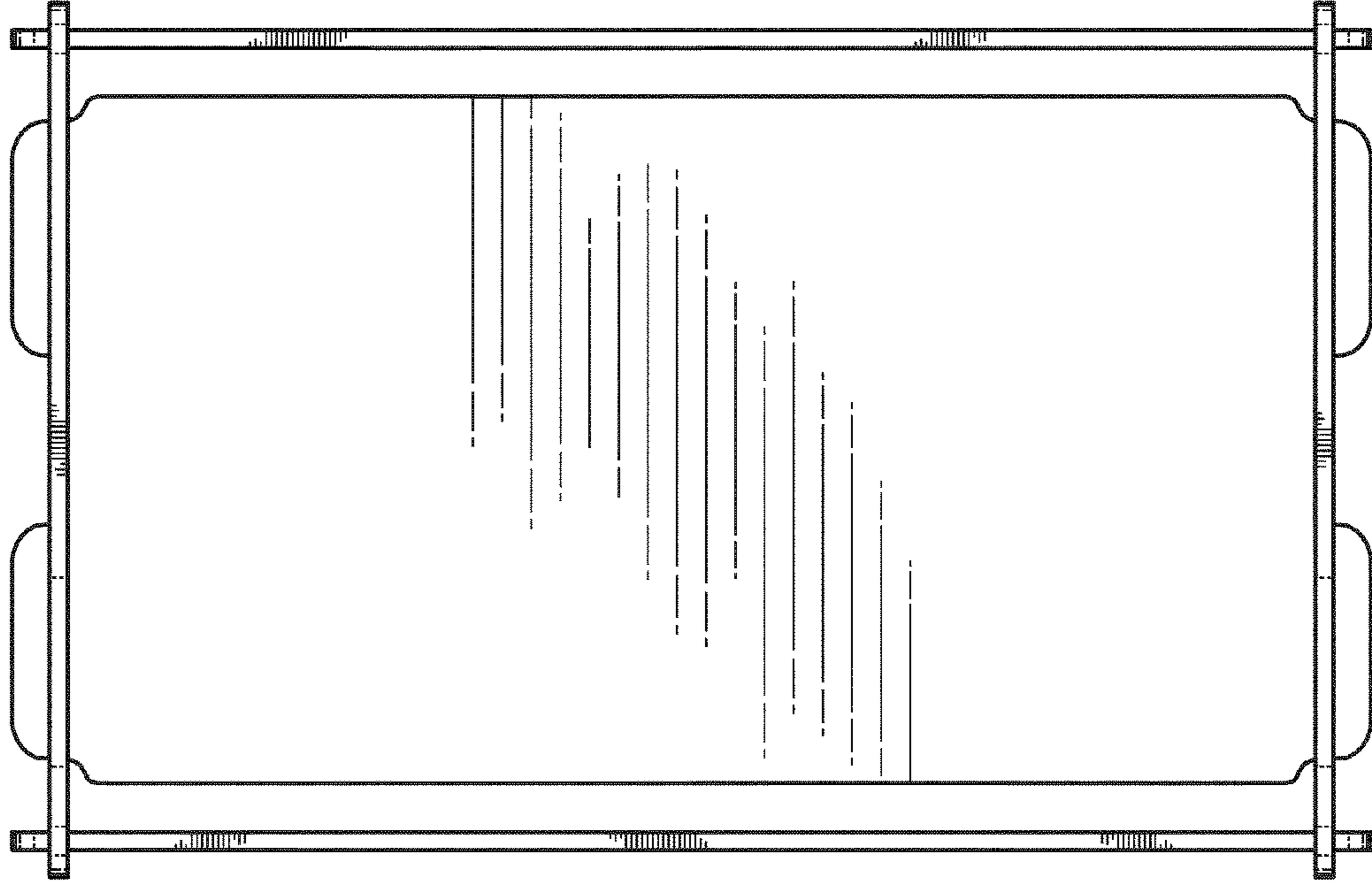
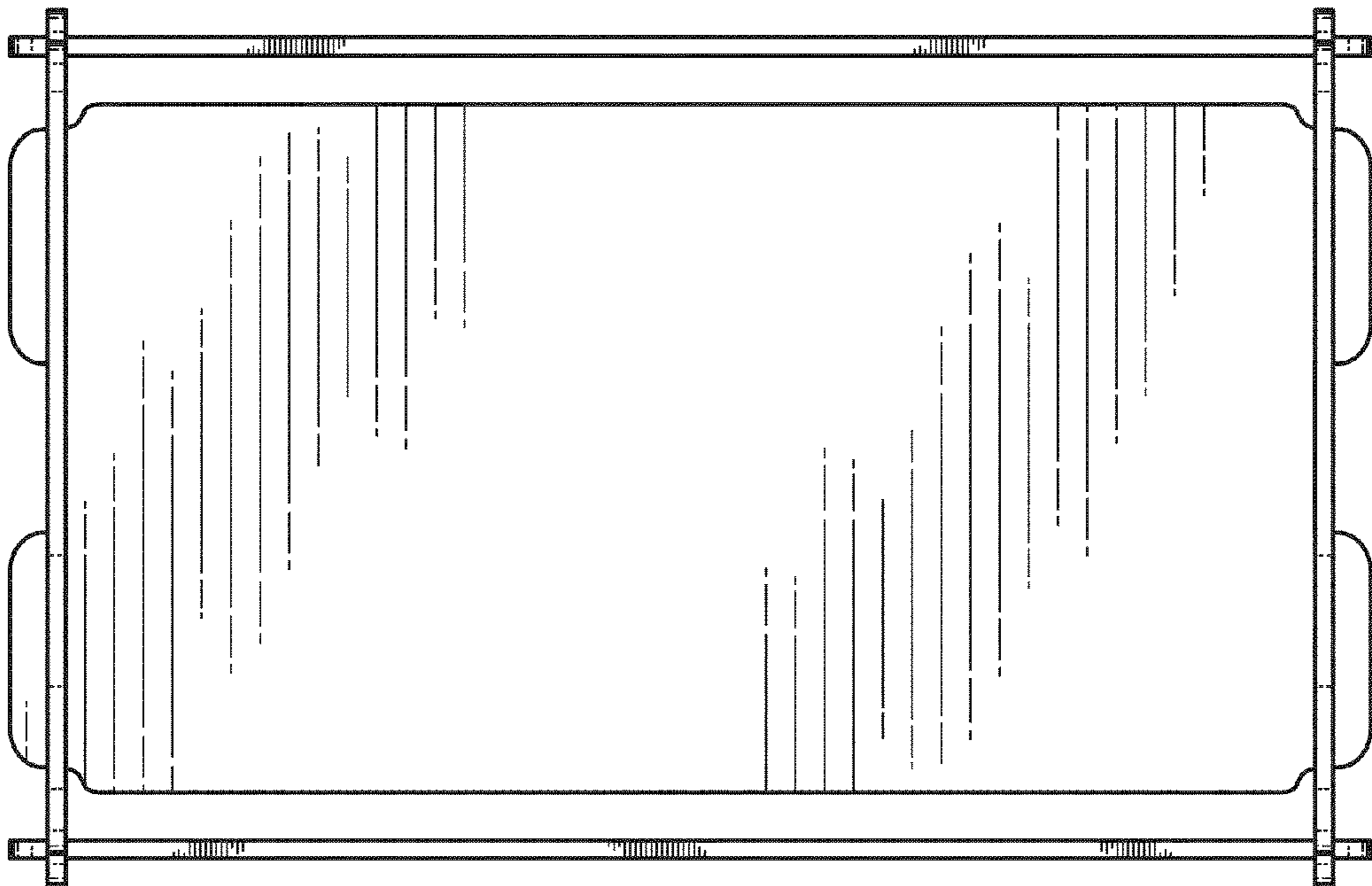


Fig. 5



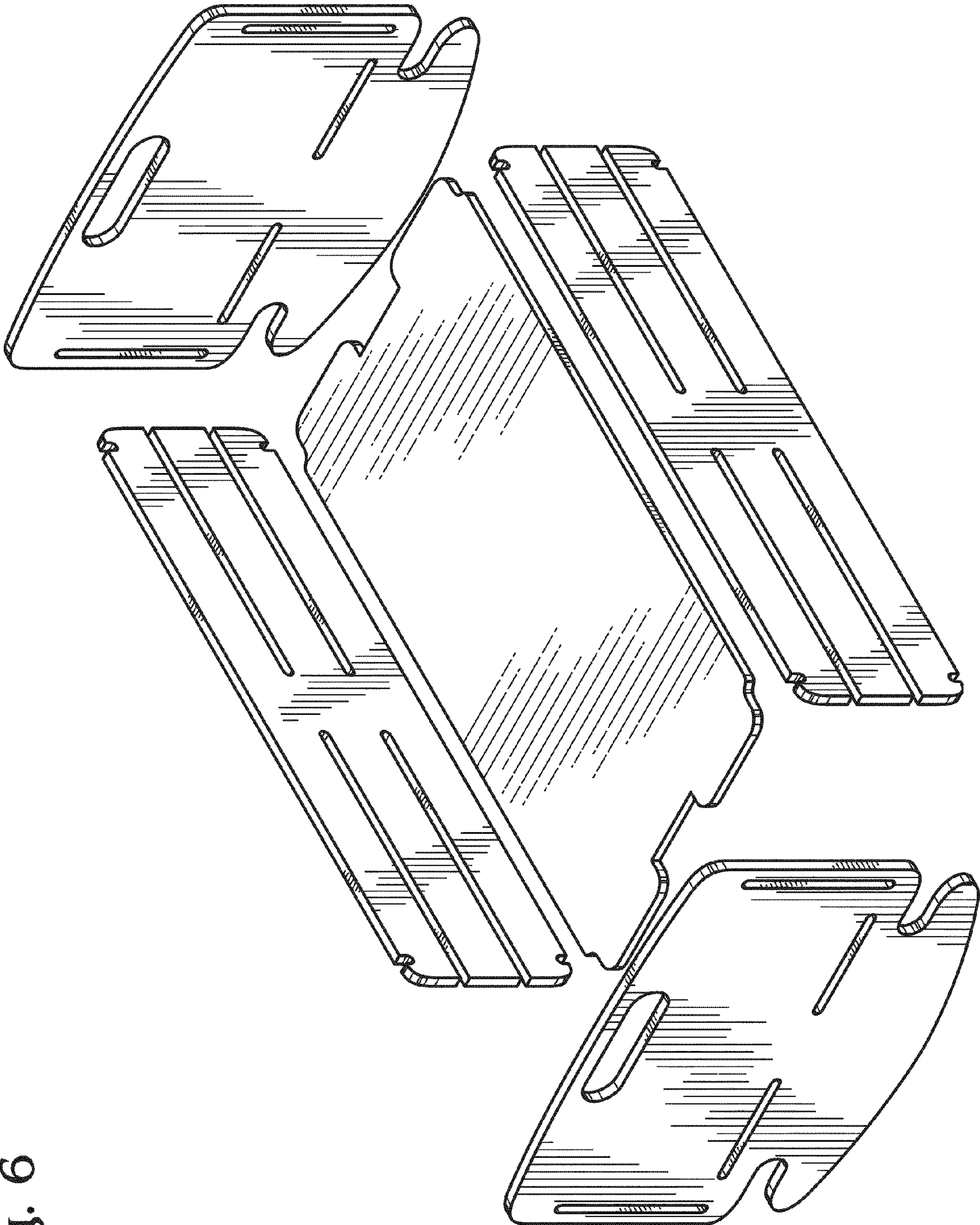


Fig. 6