

US00D643643S

(12) **United States Design Patent**
Lievore

(10) **Patent No.:** **US D643,643 S**
(45) **Date of Patent:** **** Aug. 23, 2011**

(54) **SOFA**
(75) Inventor: **Alberto Lievore**, Monastier di Treviso (IT)
(73) Assignee: **Arper S.p.A.**, Monastier di Treviso, Treviso (IT)
(**) Term: **14 Years**

D432,807 S * 10/2000 Gollinucci D6/381
D439,431 S * 3/2001 Binder et al. D6/381
D448,946 S * 10/2001 Goetz D6/381
D467,090 S * 12/2002 Bauchet D6/381
D467,092 S * 12/2002 Vu D6/381
D554,387 S * 11/2007 Nicoletti D6/381
D589,714 S * 4/2009 Cazares et al. D6/381
D597,759 S * 8/2009 Natuzzi D6/381
D603,620 S * 11/2009 Natuzzi D6/381
D608,106 S * 1/2010 Natuzzi D6/381

(21) Appl. No.: **29/353,454**
(22) Filed: **Jan. 8, 2010**

(30) **Foreign Application Priority Data**
Jul. 17, 2009 (WO) 504832801
(51) **LOC (9) Cl.** **06-01**
(52) **U.S. Cl.** **D6/381**
(58) **Field of Classification Search** D6/334,
D6/335, 337, 349, 353, 380, 381, 500-502;
5/12.1, 12.2; 297/14, 43, 44, 118, 140, 245,
297/300.1, 311, 353, 354.1, 445.1, 446.1,
297/446.2, 447.4, 465, 900, DIG. 2, DIG. 7
See application file for complete search history.

OTHER PUBLICATIONS

Magazine "Domus", p. 145, issued by Editoriale Domus S.p.A., Italy, Apr. 30, 1994.

* cited by examiner

Primary Examiner — Sandra Snapp
(74) *Attorney, Agent, or Firm* — Shoemaker and Mattare

(56) **References Cited**

U.S. PATENT DOCUMENTS

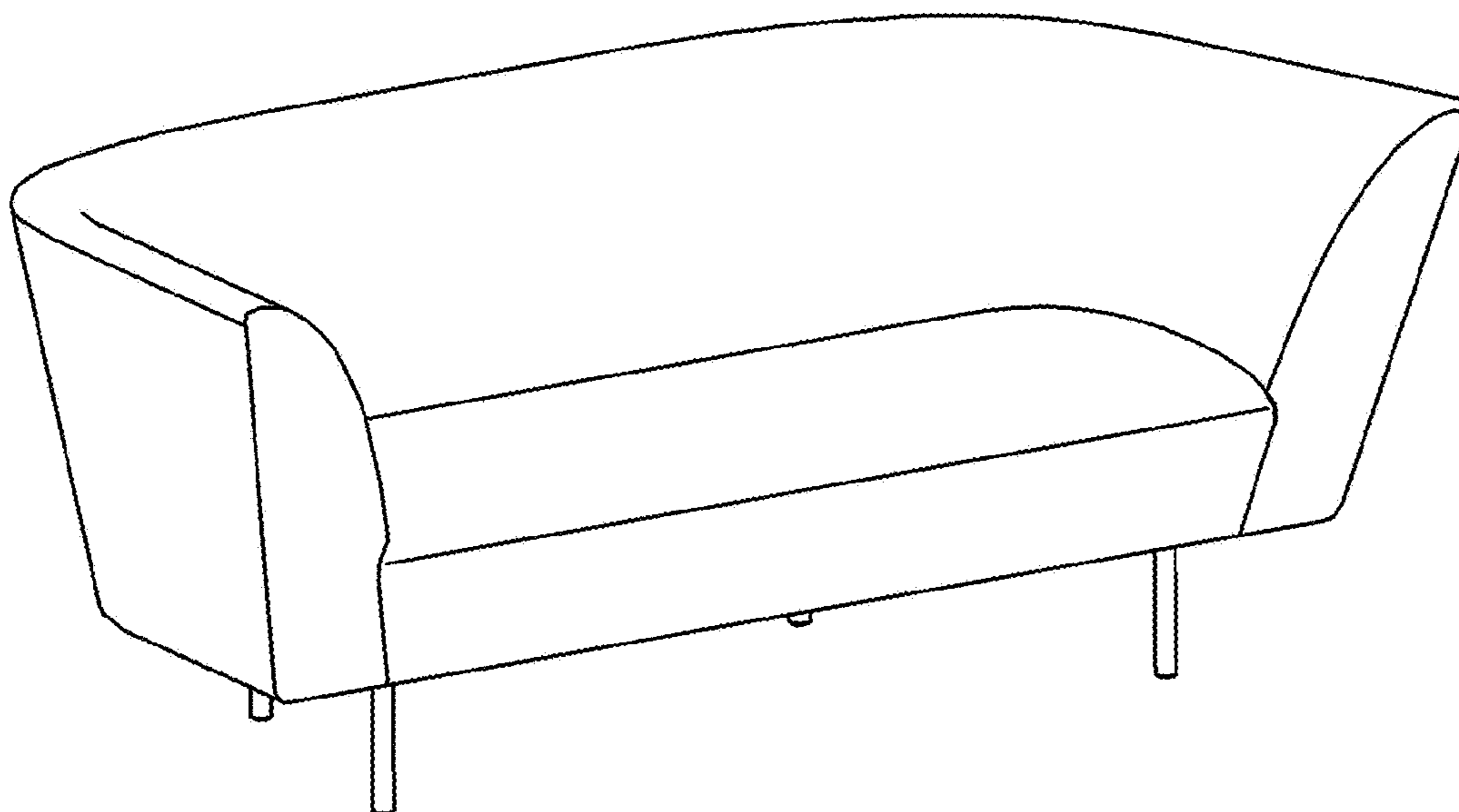
D103,416 S * 3/1937 Tyrrell D6/381
D283,275 S * 4/1986 Culler D6/371
D337,450 S * 7/1993 Dettinger D6/381
D382,129 S * 8/1997 Lewis D6/381
D423,808 S * 5/2000 Natuzzi et al. D6/381
D429,081 S * 8/2000 Gomez D6/381

(57) **CLAIM**
The ornamental design for a sofa, as shown and described.

DESCRIPTION

FIG. 1 is a perspective view of a sofa, showing my new design from the front, top and right side;
FIG. 2 is a right side elevational view thereof;
FIG. 3 is a left side elevational view thereof;
FIG. 4 is a front elevational view thereof;
FIG. 5 is a rear elevational view thereof;
FIG. 6 is a top plan view thereof; and,
FIG. 7 is a bottom plan view thereof.

1 Claim, 7 Drawing Sheets



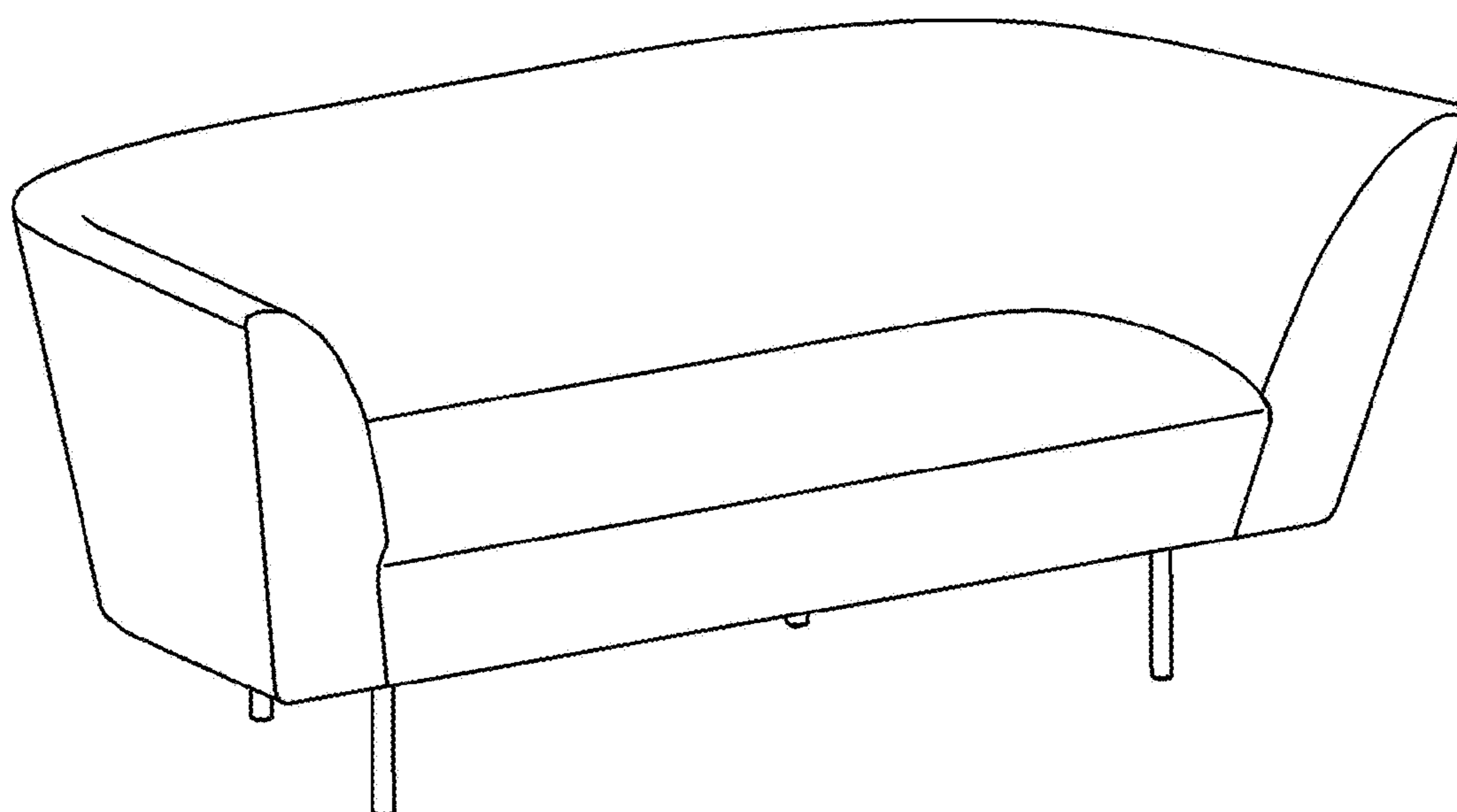


Fig. 1

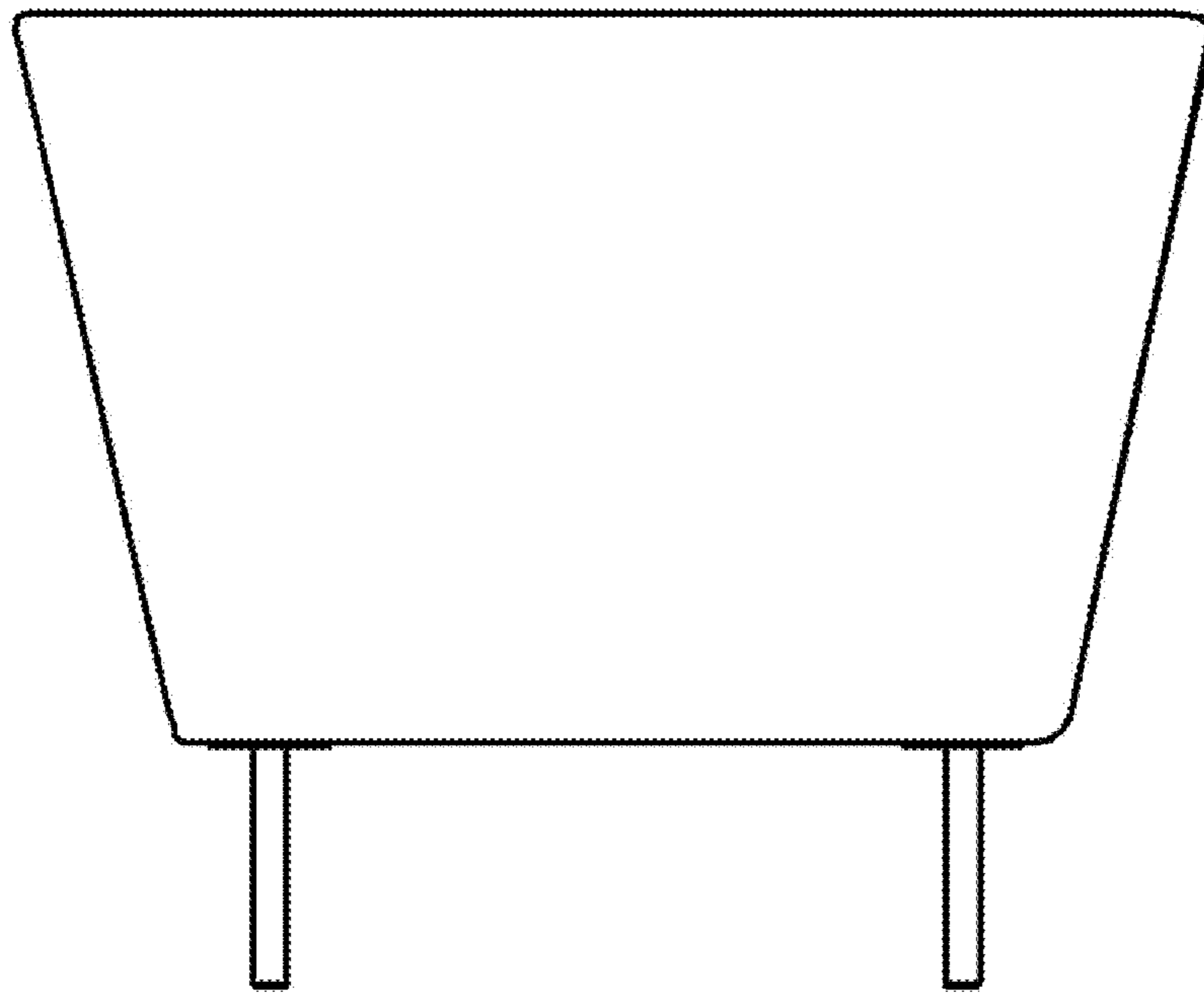


Fig. 2

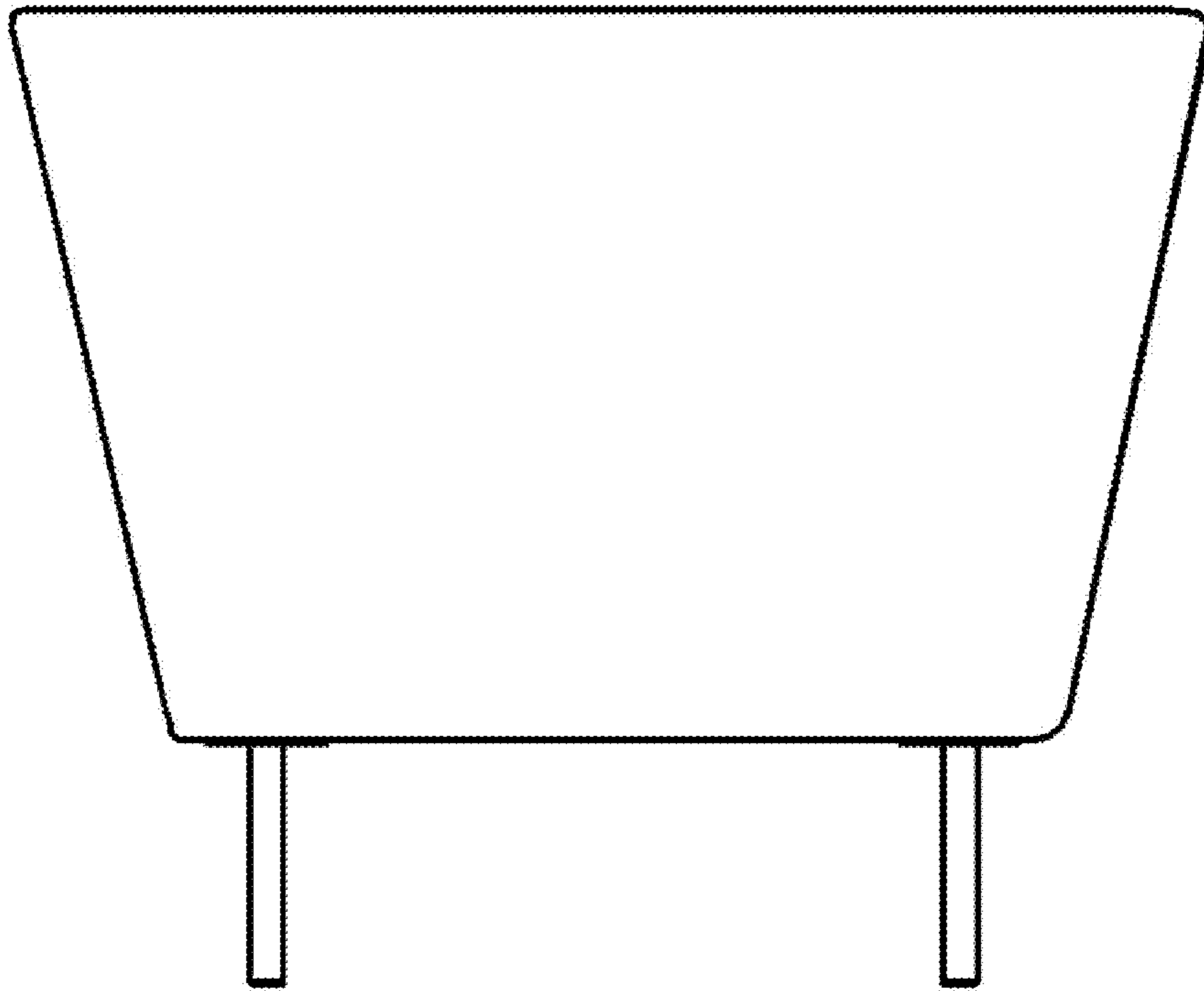


Fig. 3

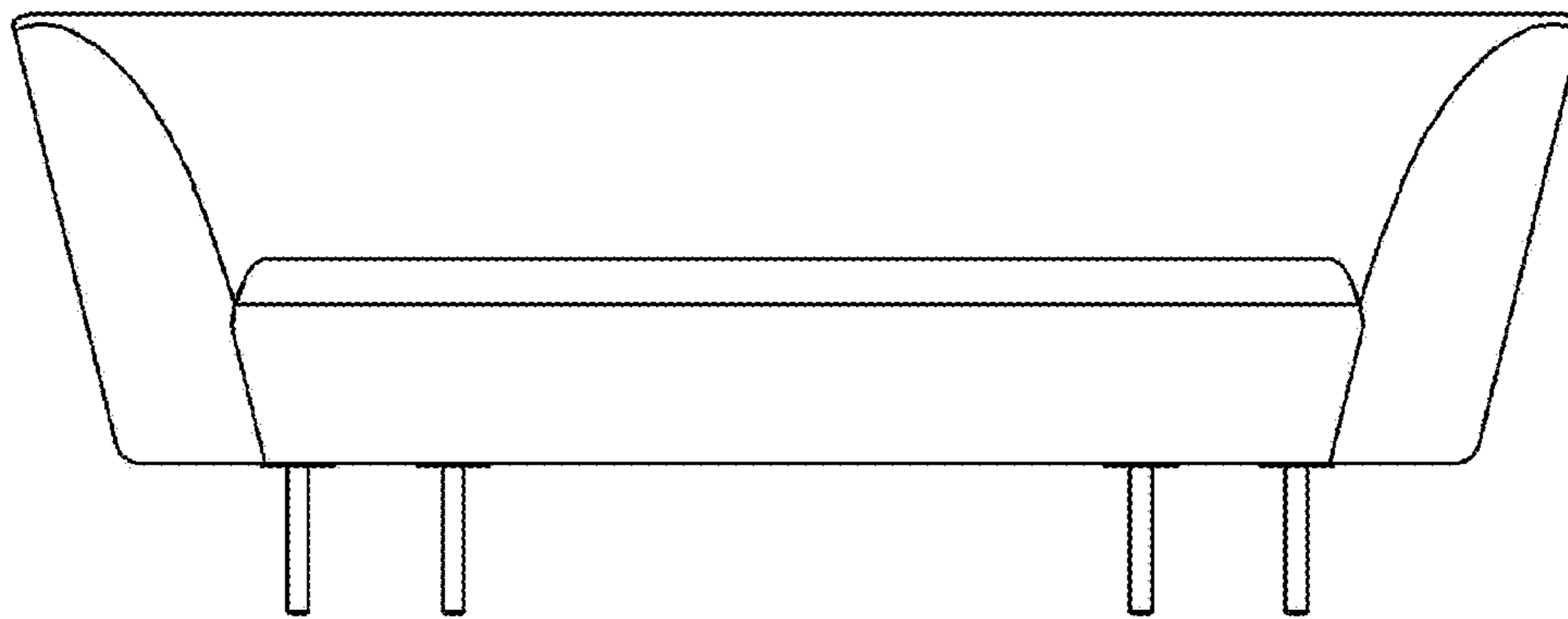


Fig. 4

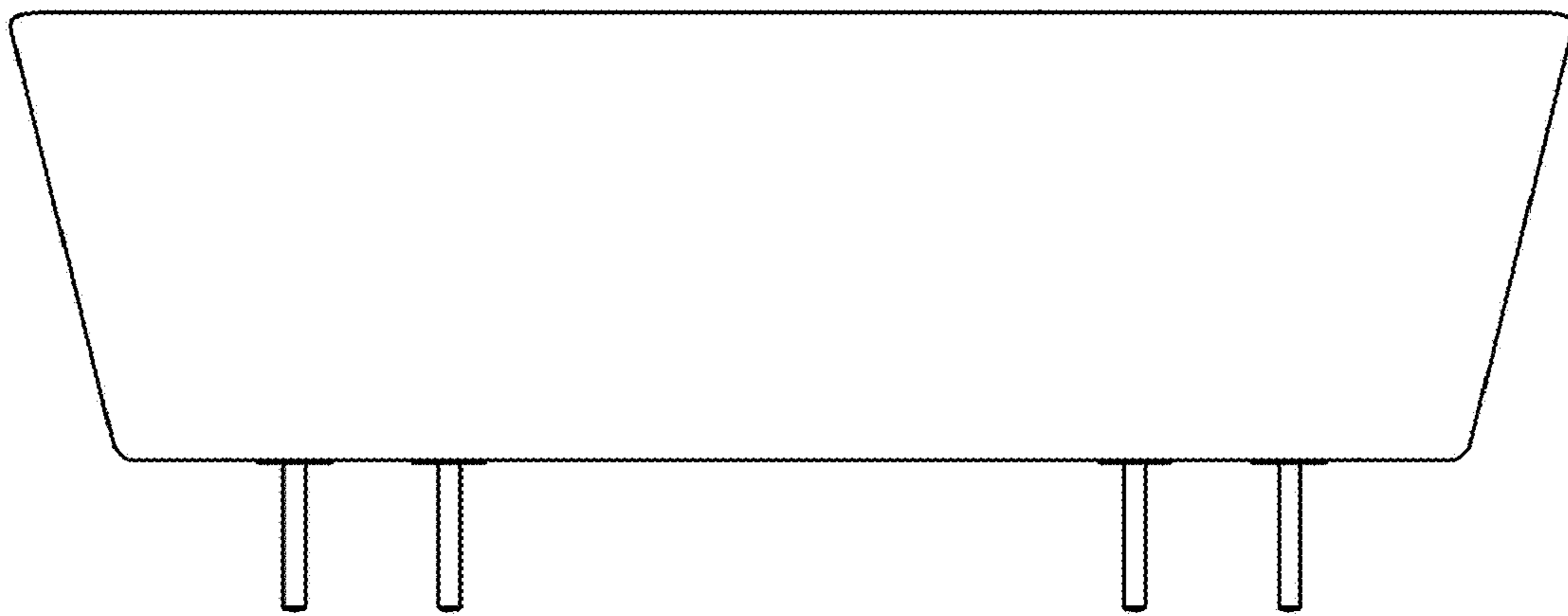


Fig. 5

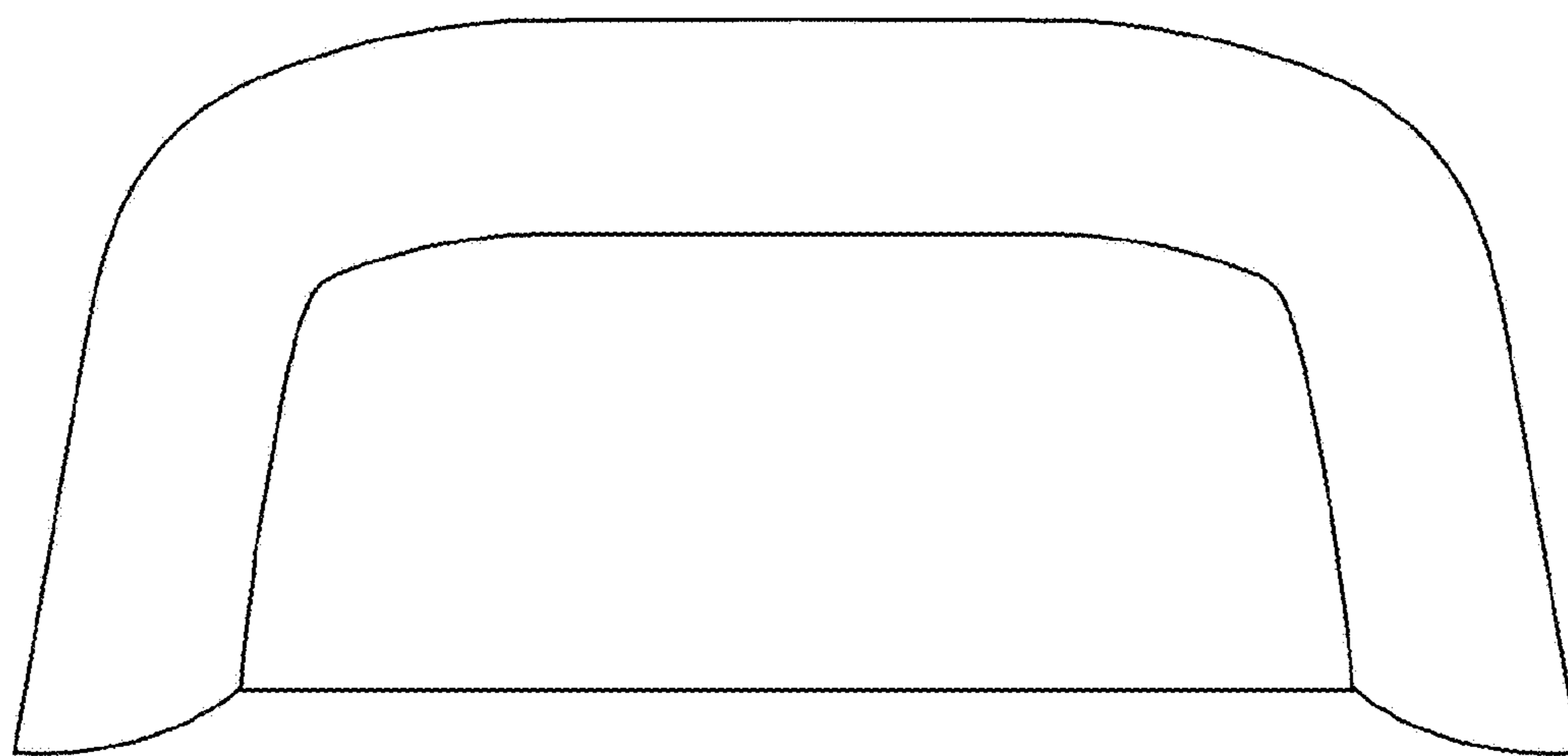


Fig. 6

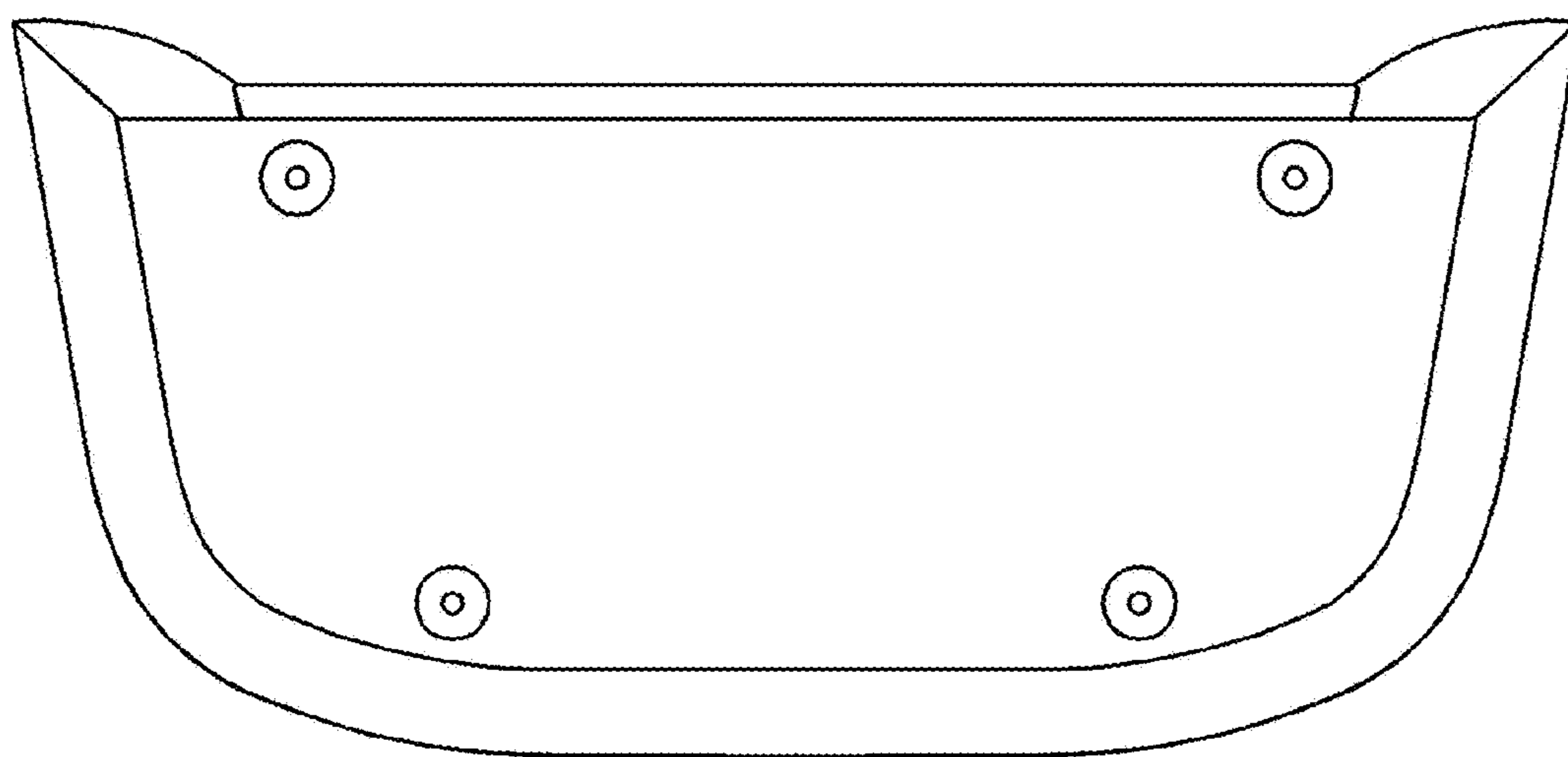


Fig. 7