



US00D643641S

(12) **United States Design Patent**  
**Figueroa**

(10) **Patent No.:** **US D643,641 S**

(45) **Date of Patent:** **\*\* Aug. 23, 2011**

(54) **CHAIR**

(75) Inventor: **Daniel Figueroa**, Bad Münden (DE)

(73) Assignee: **Dauphin Entwicklungs-u. Beteiligungs-GmbH**, Hersbruck (DE)

(\*\*) Term: **14 Years**

(21) Appl. No.: **29/386,298**

(22) Filed: **Feb. 28, 2011**

(30) **Foreign Application Priority Data**

Oct. 25, 2010 (WO) ..... 570 419 401

(51) **LOC (9) Cl.** ..... **06-01**

(52) **U.S. Cl.** ..... **D6/366**

(58) **Field of Classification Search** ..... D6/334-336,  
D6/360-369, 373-374, 379-380, 498, 500-502,  
D6/601; 297/284.1-284.5, 291, 297, 303.1,  
297/411.2, 411.27-411.29, 452.13, 452.19,  
297/452.21, 452.29, 452.3, 452.56, 452.63  
See application file for complete search history.

(56) **References Cited**

**U.S. PATENT DOCUMENTS**

D514,832 S \* 2/2006 Tsai ..... D6/366  
D517,820 S \* 3/2006 Citterio ..... D6/366

D541,063 S \* 4/2007 Su ..... D6/366  
D558,995 S \* 1/2008 Igarashi ..... D6/366  
D558,996 S \* 1/2008 Igarashi ..... D6/366  
D558,997 S \* 1/2008 Igarashi ..... D6/366  
D559,571 S \* 1/2008 Meda ..... D6/366  
D559,572 S \* 1/2008 Igarashi ..... D6/366  
D600,462 S \* 9/2009 Ooki et al. .... D6/366  
D607,653 S \* 1/2010 Wilkinson et al. .... D6/366  
D613,085 S \* 4/2010 Fujita ..... D6/366  
D613,087 S \* 4/2010 Fujita ..... D6/366

\* cited by examiner

*Primary Examiner* — Ricky Pham

(74) *Attorney, Agent, or Firm* — McGlew and Tuttle, P.C.

(57) **CLAIM**

The ornamental design for a chair, as shown and described.

**DESCRIPTION**

FIG. 1 is a front view of a chair, showing my new design;  
FIG. 2 is a rear view thereof;  
FIG. 3 is a top view thereof;  
FIG. 4 is a bottom view thereof;  
FIG. 5 is a lateral view (right side) thereof;  
FIG. 6 is a lateral view (left side) thereof; and,  
FIG. 7 is a perspective view thereof.

**1 Claim, 3 Drawing Sheets**





FIG. 1



FIG. 2

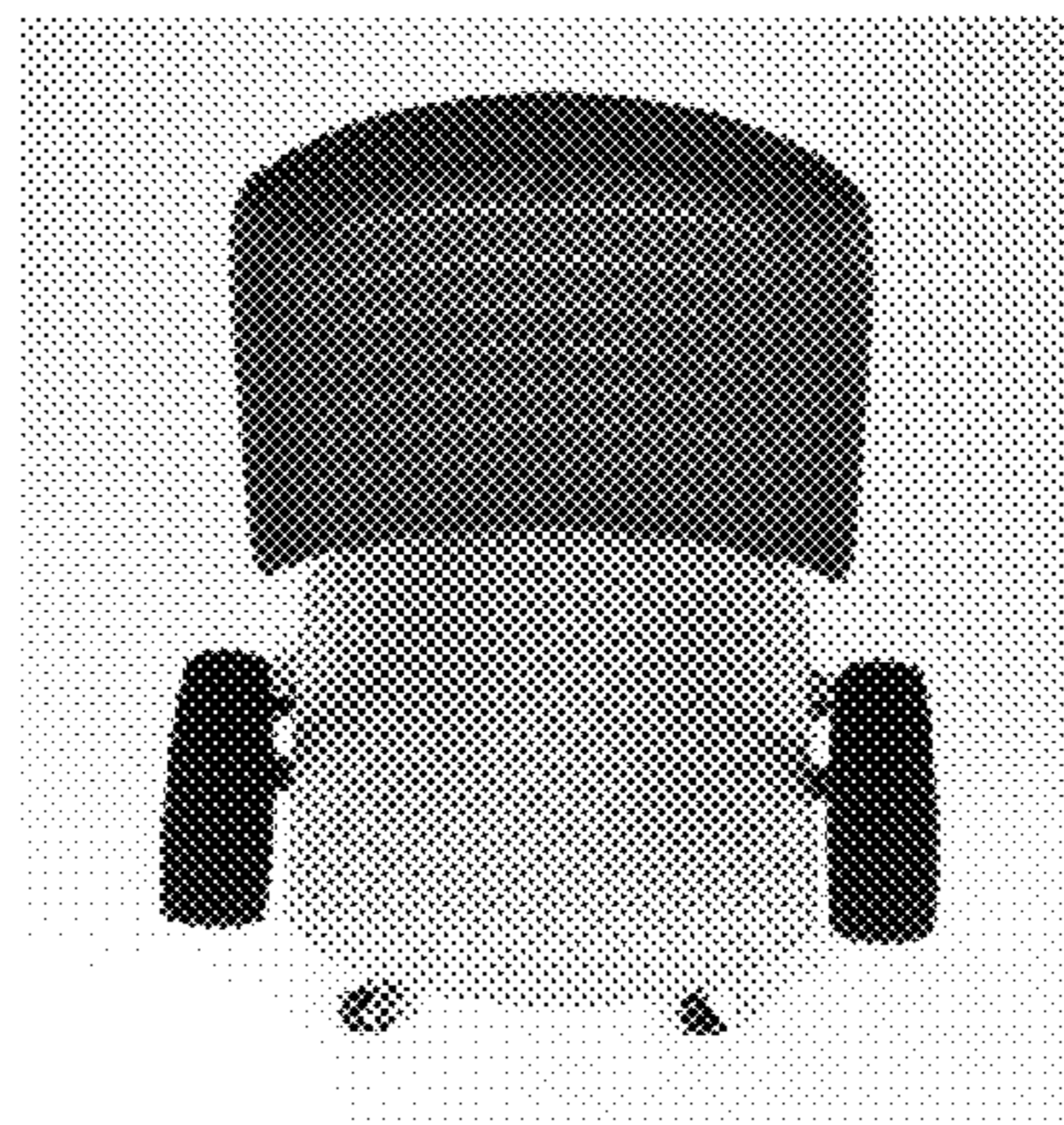


FIG. 3

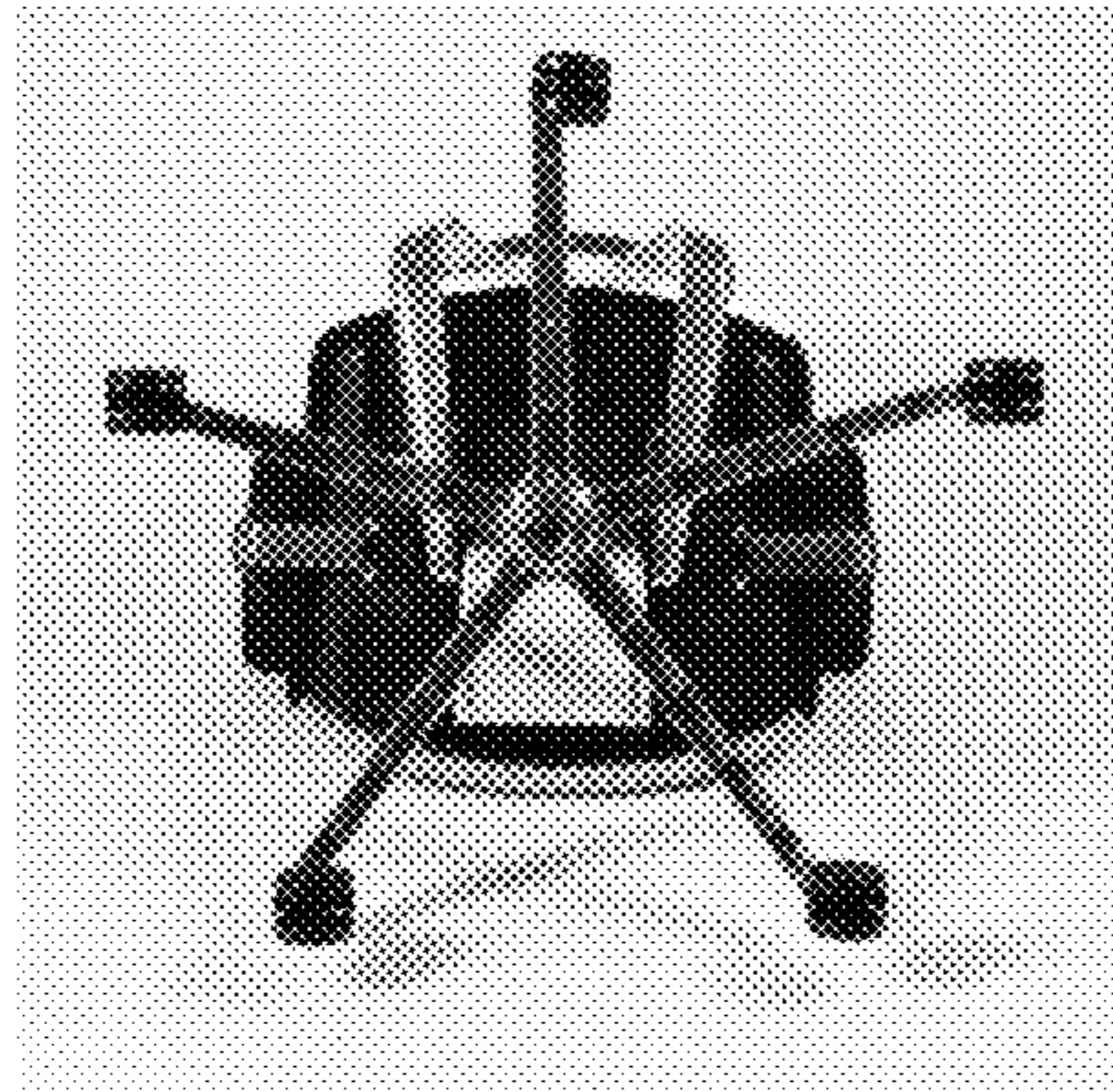


FIG. 4



FIG. 5



FIG. 6



FIG. 7