



US00D643640S

(12) **United States Design Patent**
DeSanta et al.

(10) **Patent No.:** **US D643,640 S**

(45) **Date of Patent:** **** Aug. 23, 2011**

(54) **OFFICE CHAIR**

(75) Inventors: **Simon DeSanta**, Borgholzhausen (DE);
Nicolai Czumaj-Bront, Grand Rapids,
MI (US); **Michael W. Welsh**, Rockford,
MI (US)

(73) Assignee: **Haworth, Inc.**, Holland, MI (US)

(**) Term: **14 Years**

(21) Appl. No.: **29/349,915**

(22) Filed: **May 19, 2010**

D521,755 S *	5/2006	Kinoshita et al.	D6/366
D558,478 S	1/2008	Rothe	
D564,245 S *	3/2008	Dauphin	D6/366
D564,766 S *	3/2008	Zimmermann et al.	D6/366
D569,644 S	5/2008	Kumazawa	
D582,170 S *	12/2008	Chi	D6/366
D586,136 S *	2/2009	Valdiserri et al.	D6/366
D589,271 S *	3/2009	Neil	D6/366
D597,331 S *	8/2009	Neil	D6/366
D599,126 S *	9/2009	Chen et al.	D6/366
D600,954 S	9/2009	Kumazawa	
D607,653 S *	1/2010	Wilkinson et al.	D6/366
D609,482 S *	2/2010	Englisch et al.	D6/366
D613,087 S *	4/2010	Fujita	D6/366
D618,469 S *	6/2010	Romero	D6/366
D627,983 S *	11/2010	Wakasugi et al.	D6/366

* cited by examiner

Related U.S. Application Data

(62) Division of application No. 29/307,666, filed on May 2, 2008, now Pat. No. Des. 618,004.

(51) **LOC (9) Cl.** **06-01**

(52) **U.S. Cl.** **D6/366**

(58) **Field of Classification Search** D6/374-376,
D6/379-380, 364-367, 334-336, 358, 356,
D6/500-502; 297/451.1, 447.1, 411.2, 411.27,
297/411.28, 284.4, 452.21, 452.29, 452.64,
297/445.1, 446.1

See application file for complete search history.

Primary Examiner — Caron D Veynar

Assistant Examiner — Abraham Bahta

(74) *Attorney, Agent, or Firm* — Flynn, Theil, Boutell & Tanis, P.C.

(57) **CLAIM**

The ornamental design for an office chair, as shown and described.

DESCRIPTION

FIG. 1 is a left, front perspective view of an office chair showing our new design;

FIG. 2 is a left, rear perspective view thereof;

FIG. 3 is a front view thereof;

FIG. 4 is a rear view thereof;

FIG. 5 is a top view thereof; and,

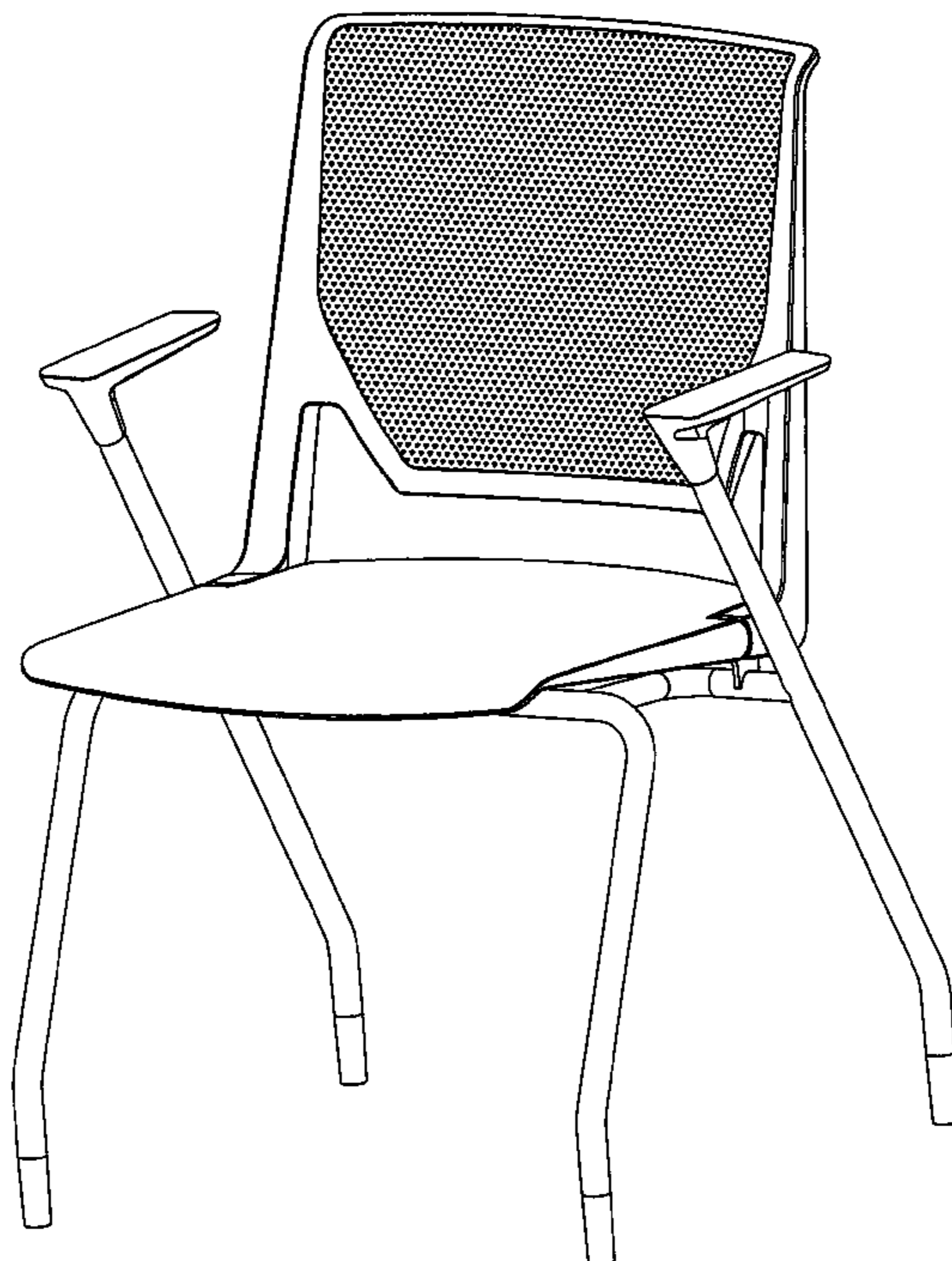
FIG. 6 is a left side view thereof.

(56) **References Cited**

U.S. PATENT DOCUMENTS

D213,438 S	3/1969	Koch
4,648,653 A	3/1987	Rowland
D344,418 S	2/1994	Favaretto
D374,129 S	10/1996	Timmons
D433,578 S	11/2000	Saul
D516,830 S	3/2006	Leist et al.

1 Claim, 6 Drawing Sheets



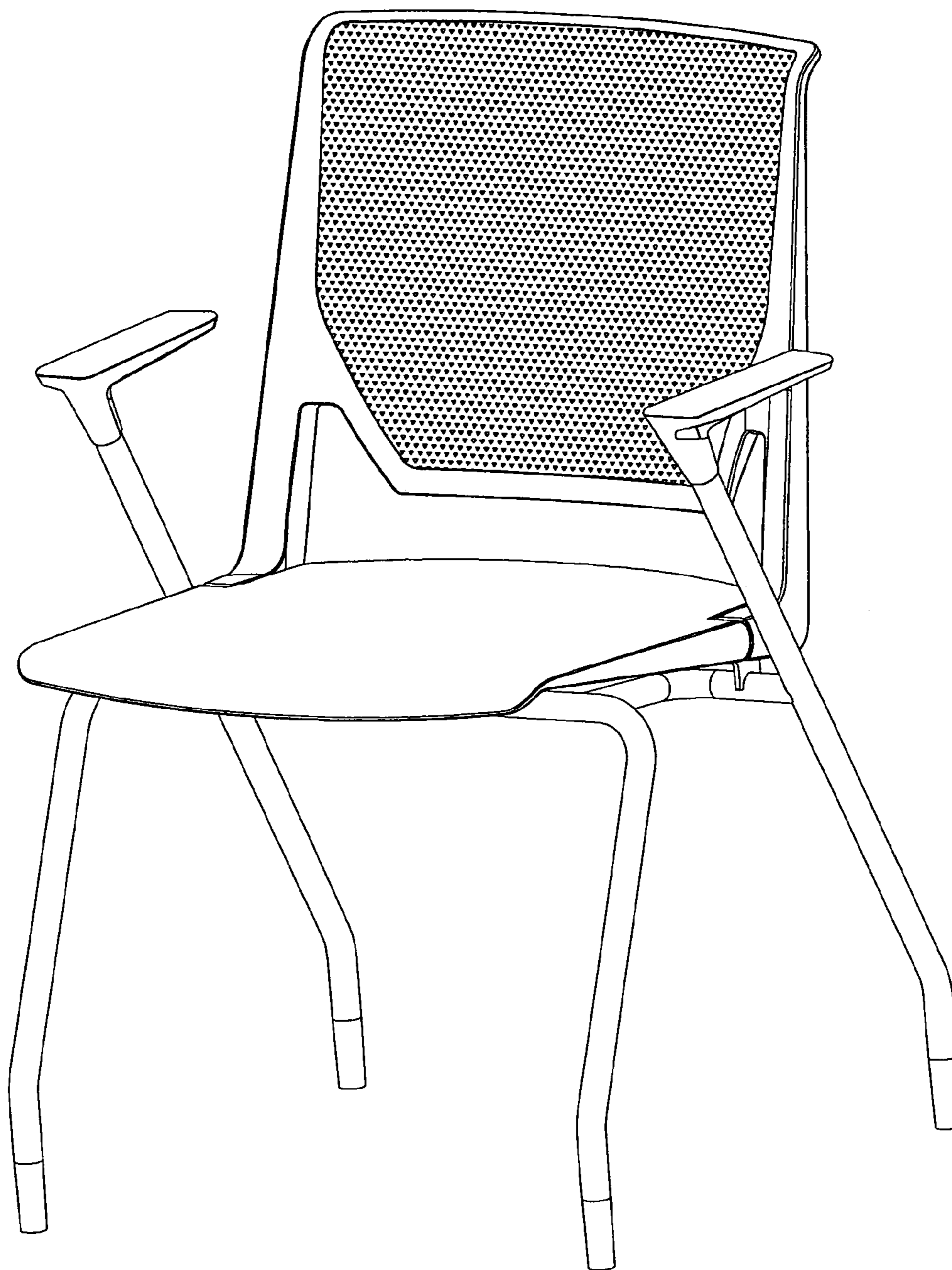


FIG. 1

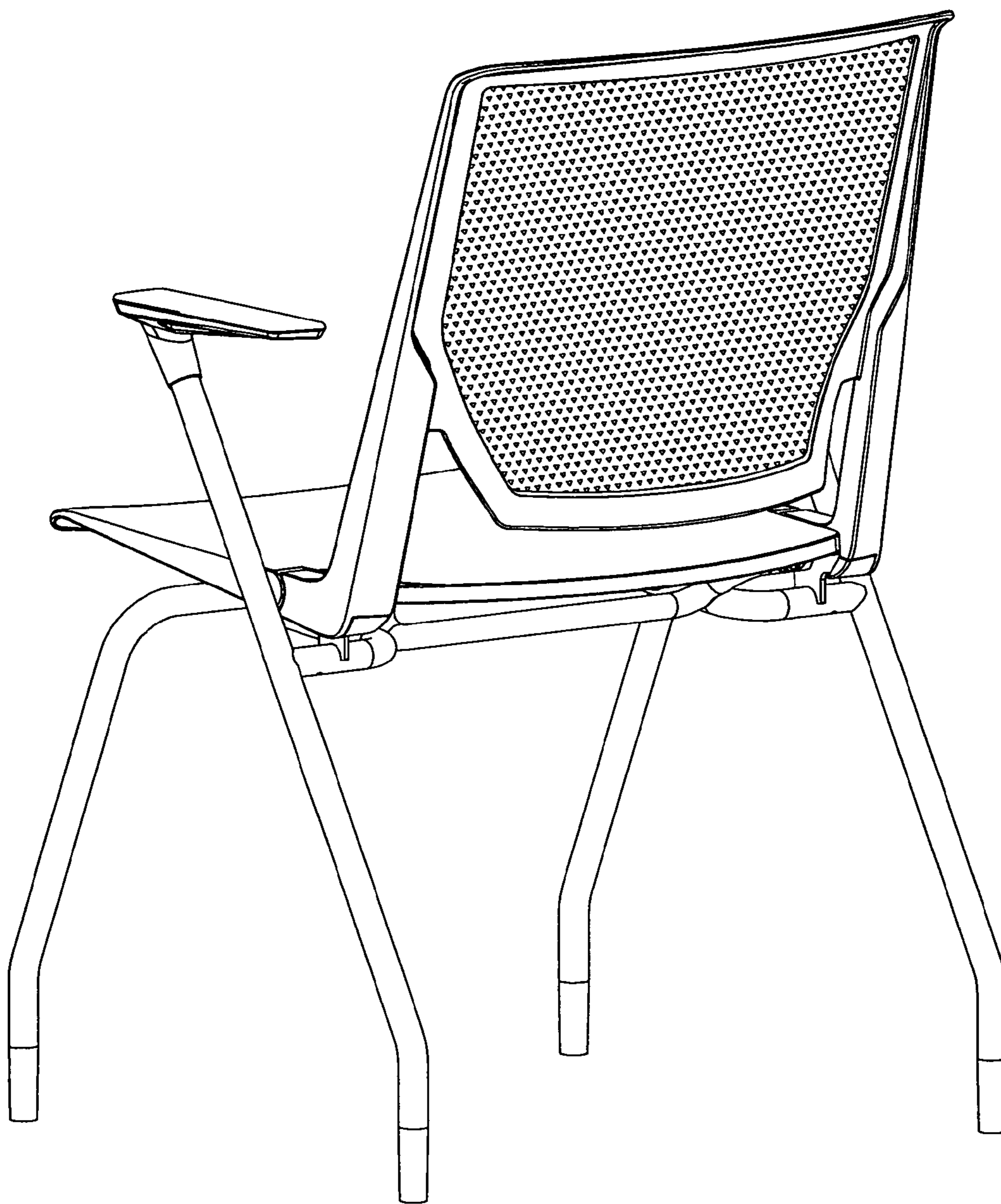


FIG. 2

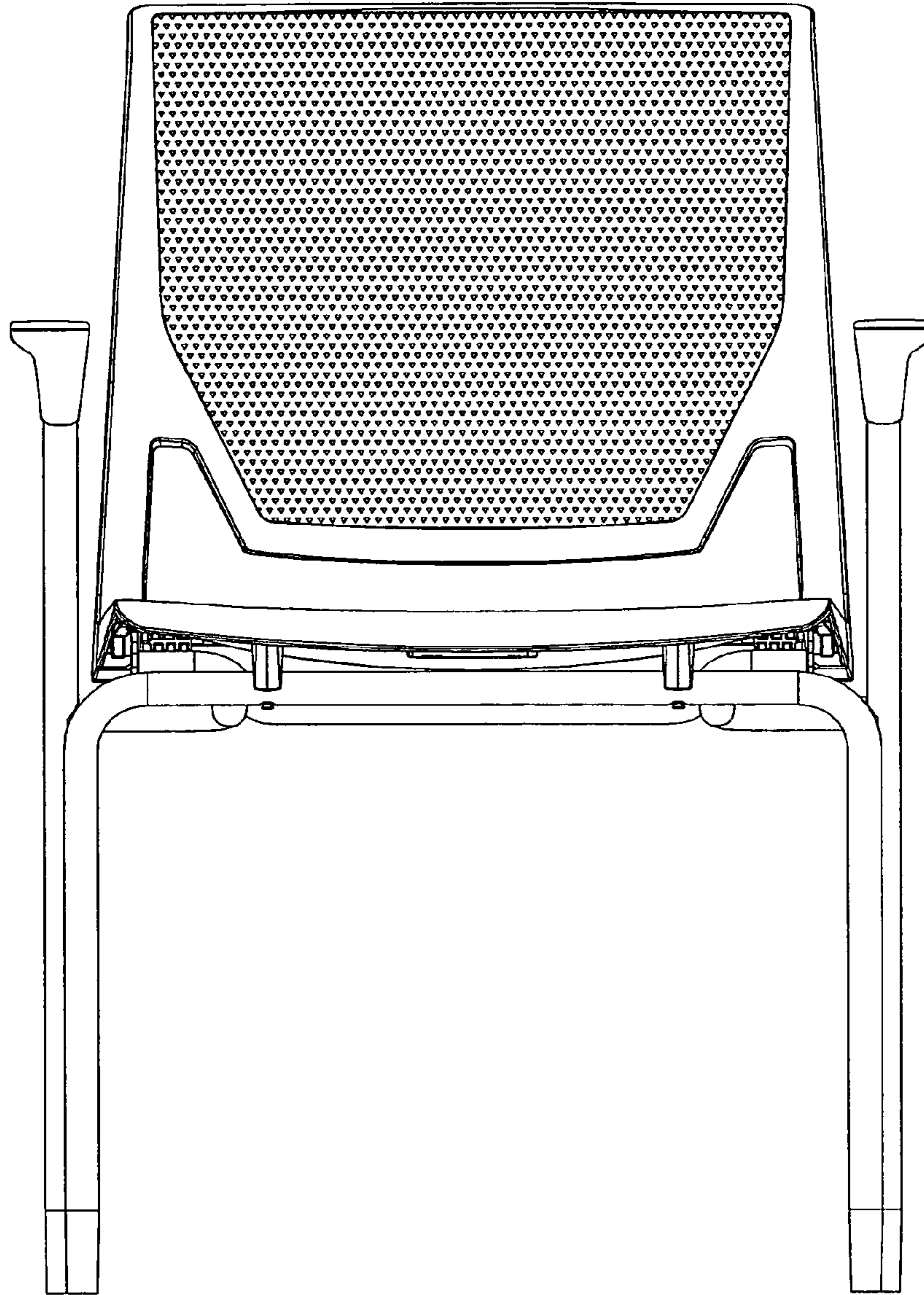


FIG. 3

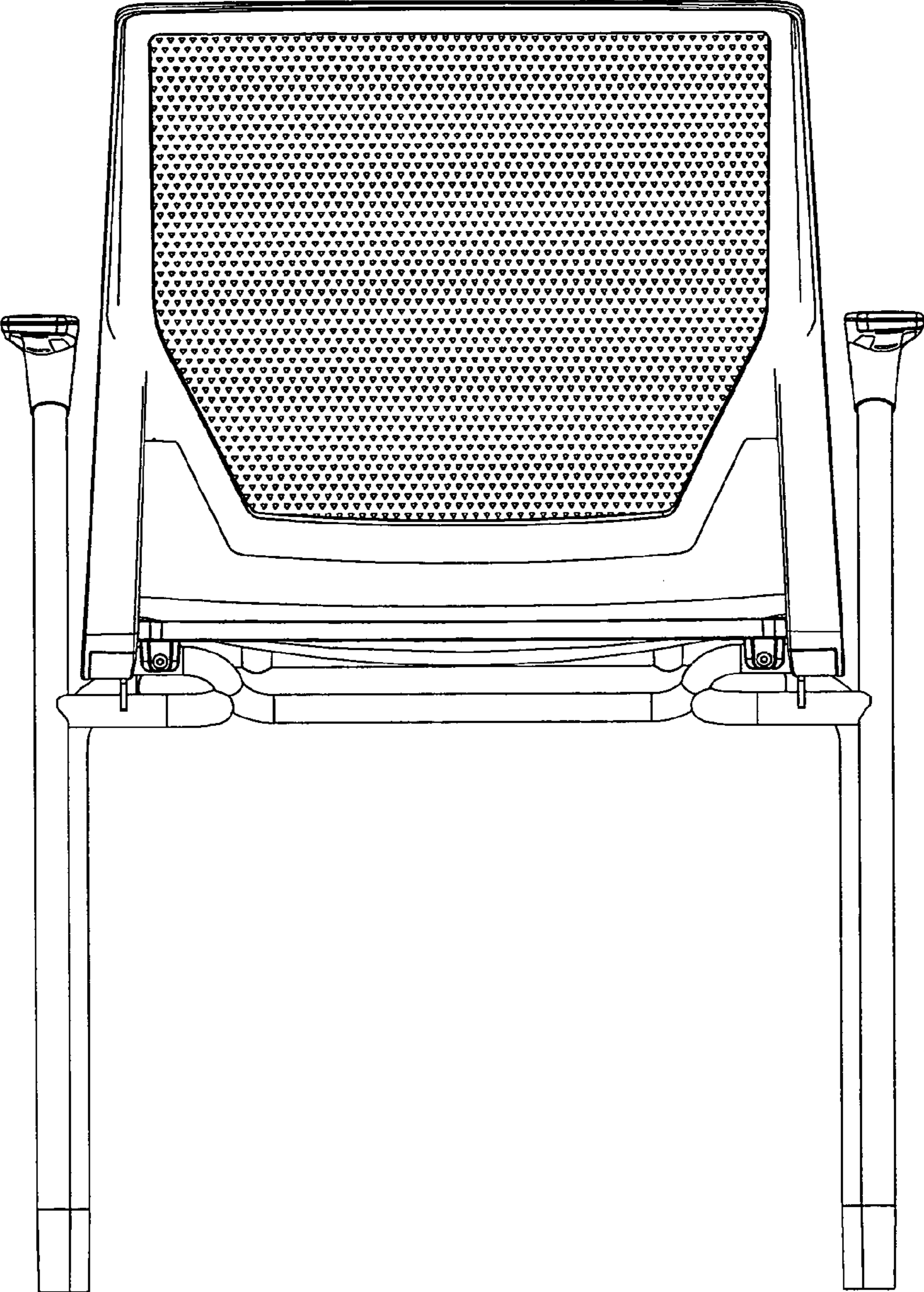


FIG. 4

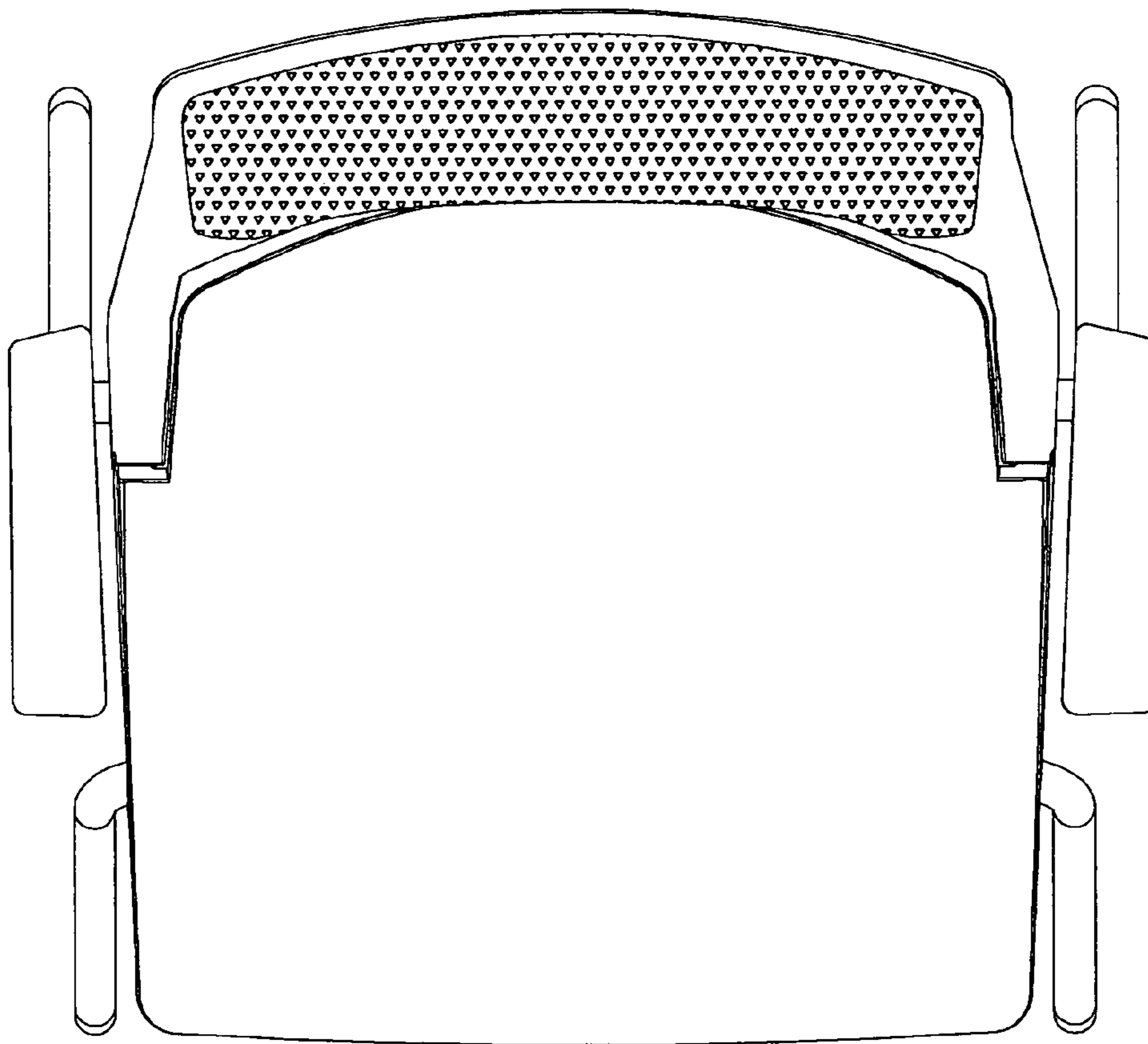


FIG. 5

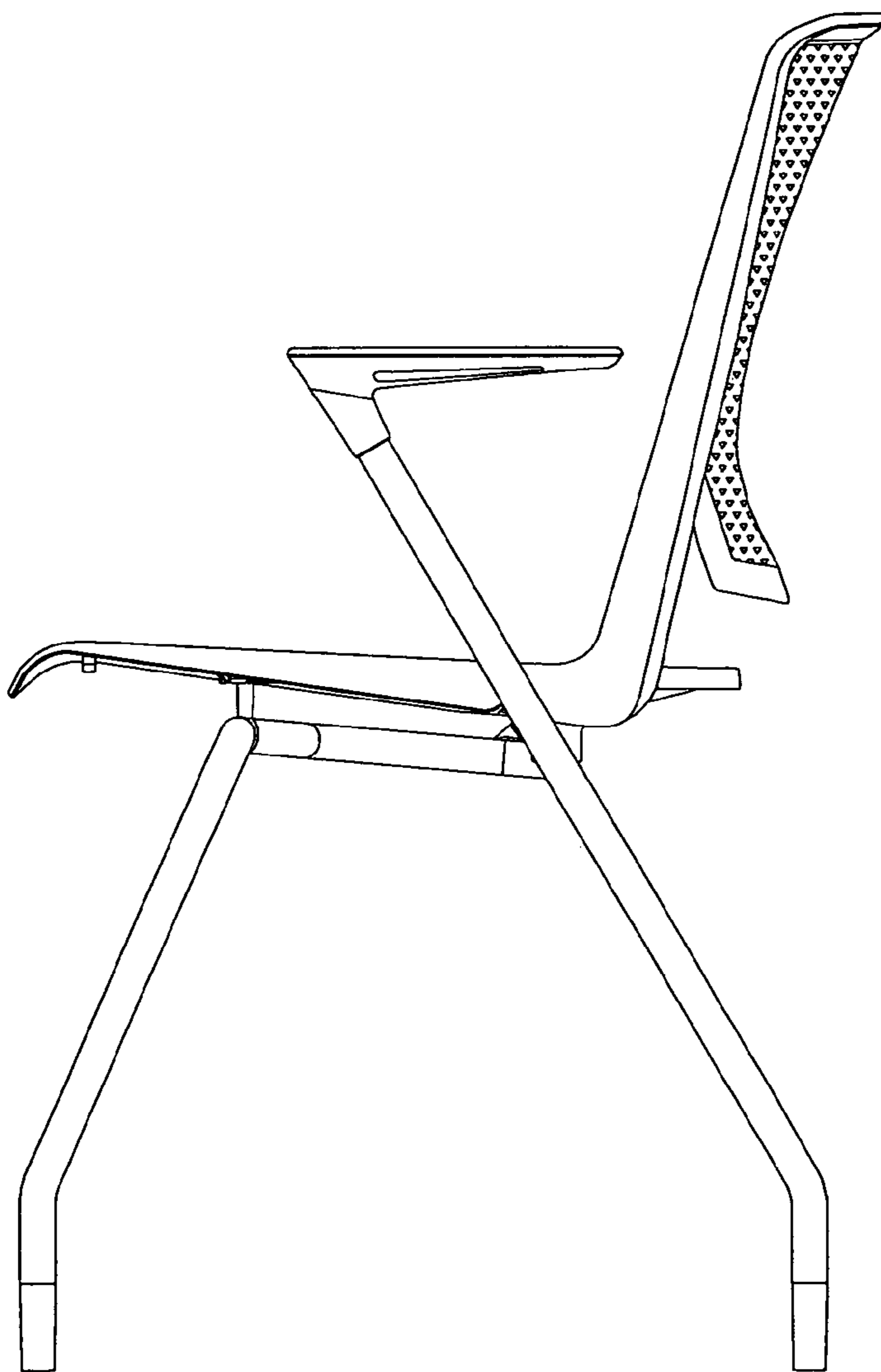


FIG. 6