



US00D643636S

(12) **United States Design Patent**
Hu

(10) **Patent No.:** **US D643,636 S**

(45) **Date of Patent:** **** Aug. 23, 2011**

(54) **CHILDREN'S CHAIR**

(75) Inventor: **Jun-Jie Hu**, Taipei (TW)

(73) Assignee: **Wonderland Nurserygoods Company Limited**, Central, Hong Kong (CN)

(**) Term: **14 Years**

(21) Appl. No.: **29/347,625**

(22) Filed: **Mar. 18, 2010**

(30) **Foreign Application Priority Data**

Nov. 6, 2009 (CN) 2009 3 0284898

(51) **LOC (9) Cl.** **06-01**

(52) **U.S. Cl.** **D6/339**

(58) **Field of Classification Search** D6/333,
D6/339; 297/184.13, 184.17, 219.12, 250.1,
297/256.16, 463.1; D21/428; D12/129;
5/655

See application file for complete search history.

(56) **References Cited**

U.S. PATENT DOCUMENTS

D344,189 S * 2/1994 Golenz et al. D6/339

D386,911 S * 12/1997 Perego D6/339

D426,965 S * 6/2000 Wu D6/339
D428,715 S * 8/2000 Brevi D6/339
D579,673 S * 11/2008 Mancuso et al. D6/339
D603,175 S * 11/2009 Jacobs et al. D6/339
D618,001 S * 6/2010 Bearup et al. D6/339
D618,925 S * 7/2010 Fiore et al. D6/339
D619,382 S * 7/2010 Chen et al. D6/339

* cited by examiner

Primary Examiner — Sandra Snapp

(74) *Attorney, Agent, or Firm* — Bacon & Thomas, PLLC

(57) **CLAIM**

The ornamental design for a children's chair, as shown.

DESCRIPTION

FIG. 1 is a perspective view of a children's chair of a new design;

FIG. 2 is a front view of the children's chair of the new design;

FIG. 3 is a rear view of the children's chair of the new design;

FIG. 4 is a top view of the children's chair of the new design;

FIG. 5 is a bottom view of the children's chair seat of the new design;

FIG. 6 is a left-side view of the children's chair of the new design;

FIG. 7 is a right-side view of the children's chair of the new design; and,

FIG. 8 is a perspective view of the children's chair of the new design, with a feeding tray provided thereon.

1 Claim, 4 Drawing Sheets





FIG. 1

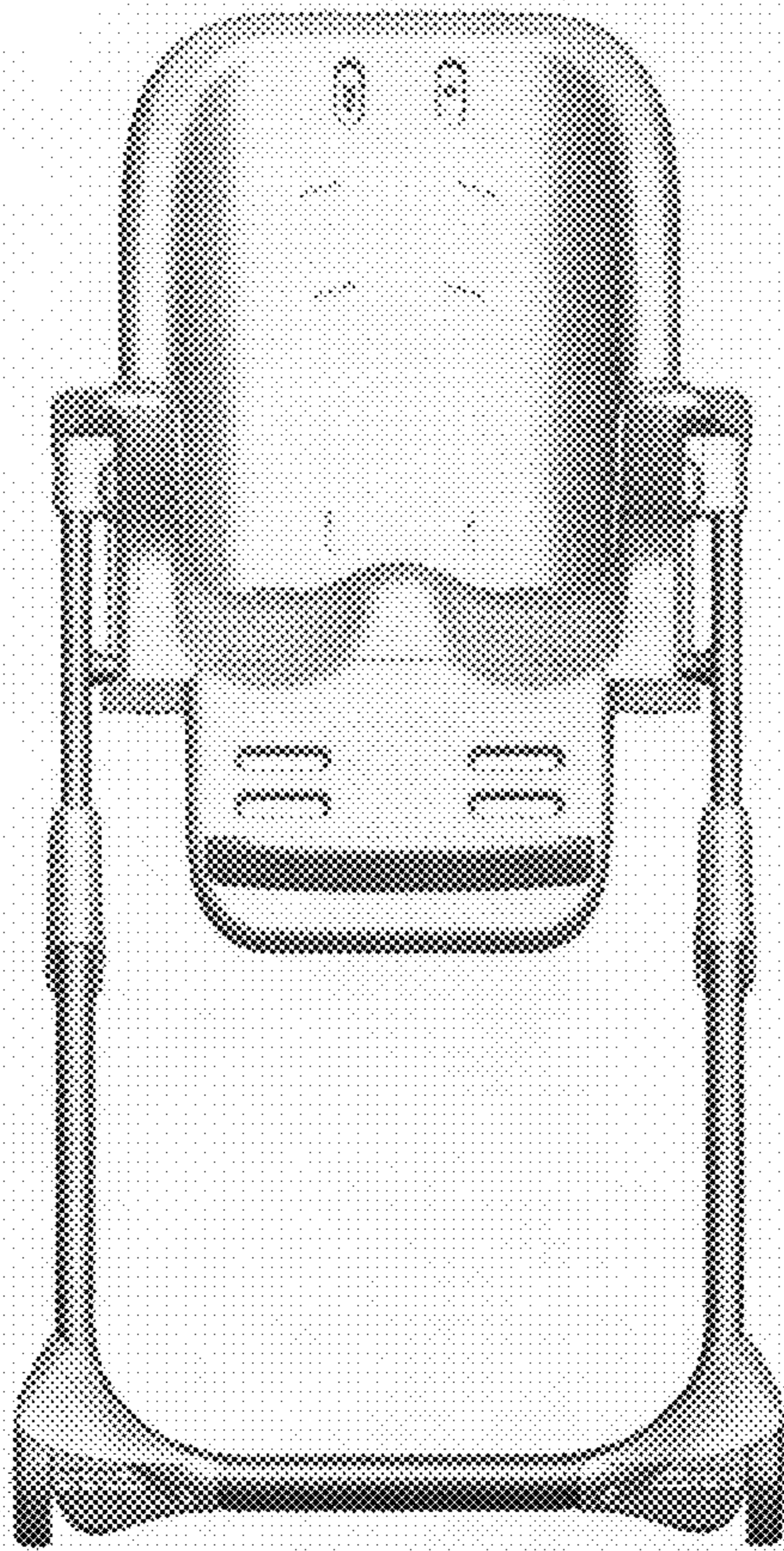


FIG. 2

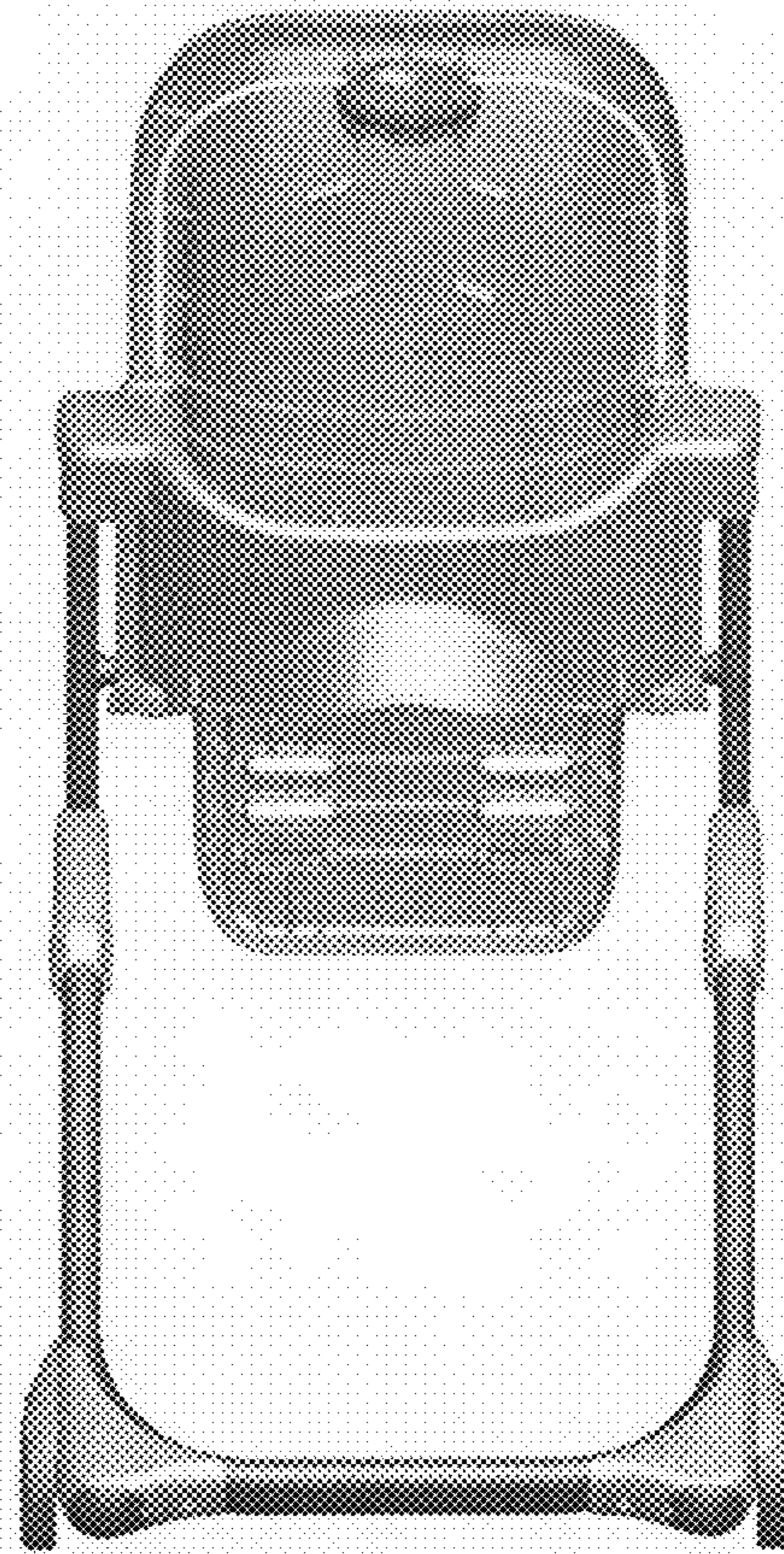


FIG. 3

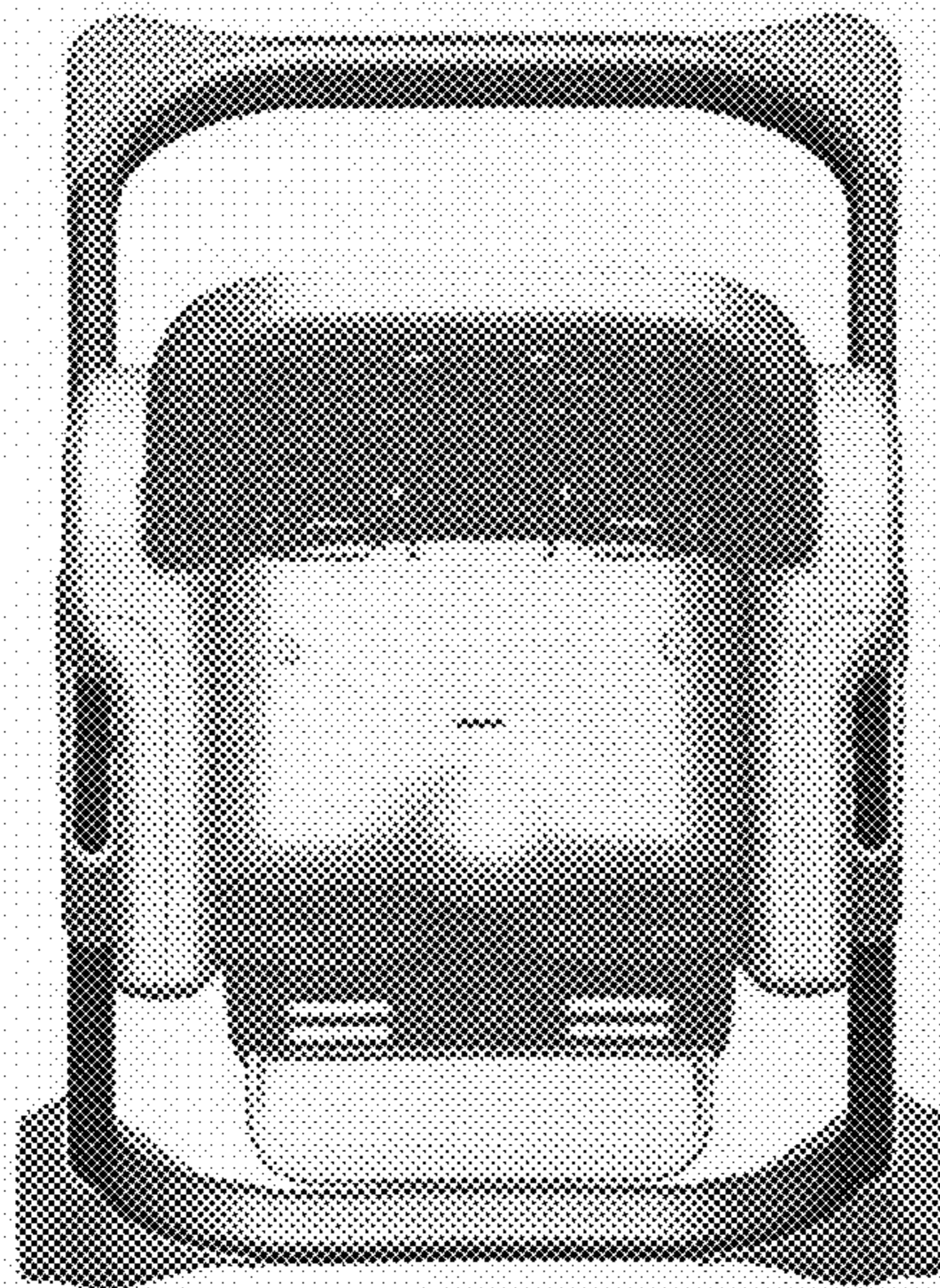


FIG. 4

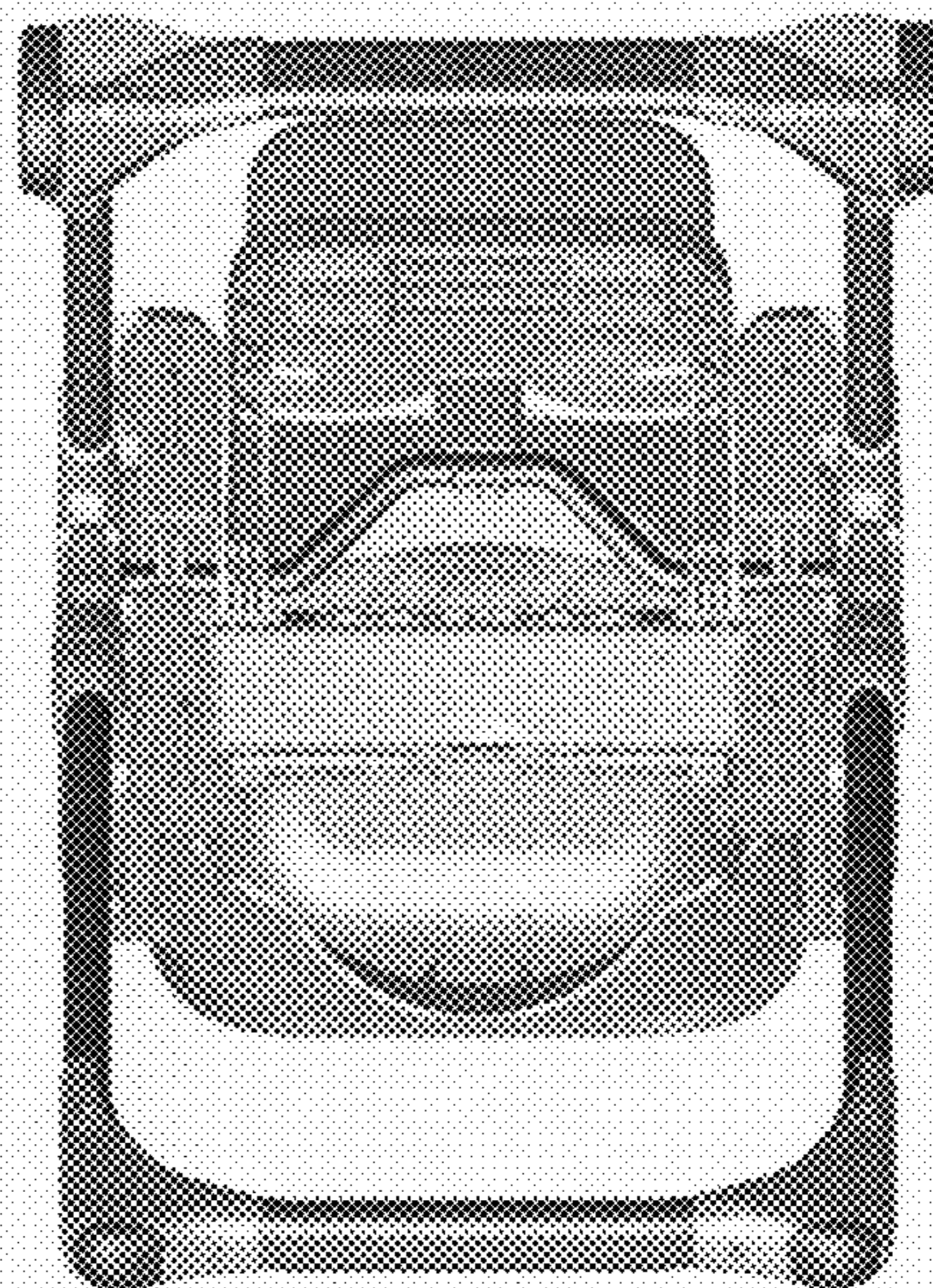


FIG. 5

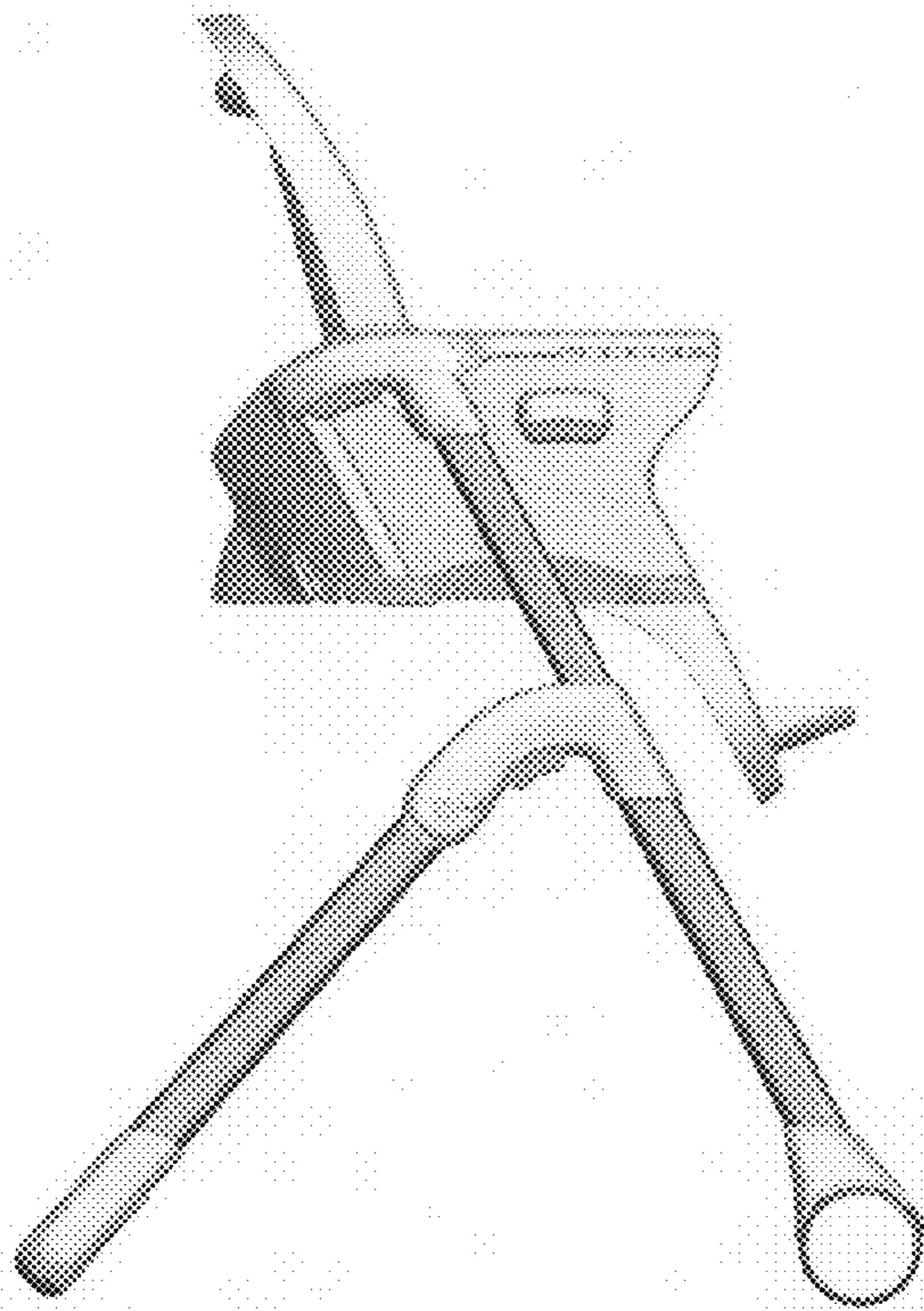


FIG. 6

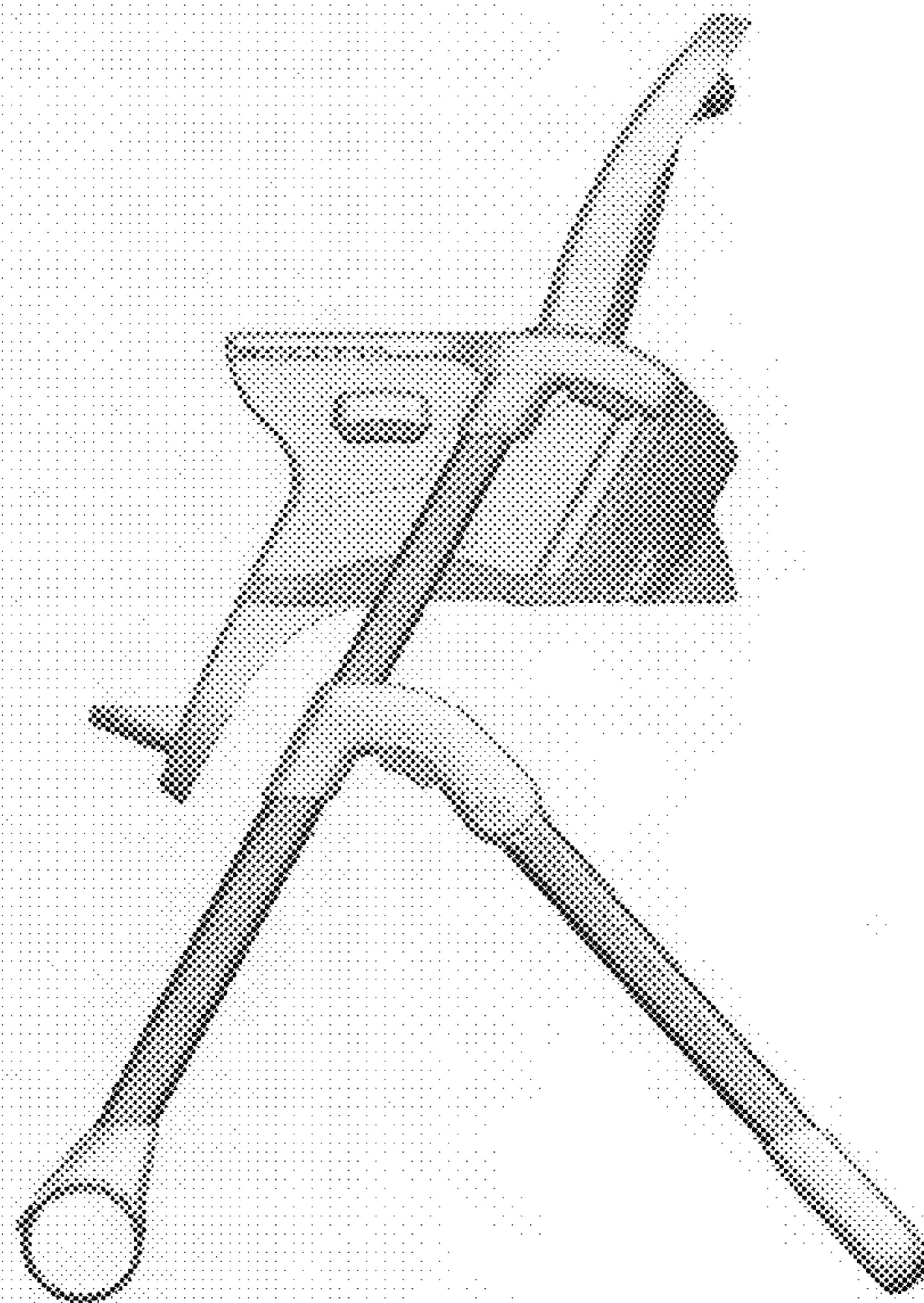


FIG. 7



FIG. 8