



US00D643635S

(12) **United States Design Patent**
Harding

(10) **Patent No.:** **US D643,635 S**

(45) **Date of Patent:** **** Aug. 23, 2011**

- (54) **EASEL**
- (76) **Inventor:** **Steven M. Harding**, Clifton Park, NY
(US)
- (**) **Term:** **14 Years**
- (21) **Appl. No.:** **29/367,648**
- (22) **Filed:** **Aug. 11, 2010**
- (51) **LOC (9) Cl.** **06-07**
- (52) **U.S. Cl.** **D6/310**
- (58) **Field of Classification Search** D6/466,
D6/308, 300, 310, 311, 312, 449, 468; 248/459,
248/460, 441.1, 445, 450, 463, 465; D19/91;
D17/20, 99; 281/42; 181/155; D14/447,
D14/141.2; 206/45.26; 40/400, 711, 700
See application file for complete search history.

- 5,351,882 A * 10/1994 Krautsack 206/45.26
- 5,388,798 A * 2/1995 Glick 248/459
- D359,488 S * 6/1995 Hui D14/141.2
- D380,617 S * 7/1997 Long D6/308
- 5,740,957 A 4/1998 Wenkman
- D394,160 S * 5/1998 Yarbrough D6/310
- 5,782,452 A 7/1998 Bosworth
- 5,788,144 A 8/1998 Sorge et al.
- 5,868,373 A * 2/1999 Duff 248/459
- 6,382,581 B1 5/2002 Duff
- D470,149 S * 2/2003 West D14/447
- D482,904 S * 12/2003 Slaymaker D6/466
- 6,694,657 B2 2/2004 Tsao
- D511,427 S * 11/2005 Meuniot et al. D6/468
- 7,000,882 B2 * 2/2006 Snuffer et al. 248/459
- 7,254,912 B1 8/2007 Zigar
- 7,296,653 B1 * 11/2007 Smith et al. 181/155

(Continued)

FOREIGN PATENT DOCUMENTS

FR 2778144 4/1998

(Continued)

(56) **References Cited**

U.S. PATENT DOCUMENTS

- 631,520 A * 8/1899 Dalsheimer 248/459
- 1,415,224 A * 5/1922 Dickmeyer 248/459
- 1,486,652 A 3/1924 Froelich
- 2,148,279 A 2/1939 Sandberg
- 2,277,494 A * 3/1942 Loewenstein 248/459
- 2,576,667 A 11/1954 Bly
- D173,776 S * 12/1954 Westernacher D6/310
- 3,508,734 A * 4/1970 Thomas 248/459
- 3,727,874 A * 4/1973 Wuensch 248/459
- D227,326 S * 6/1973 Venuta D6/310
- D249,953 S * 10/1978 Drake D19/91
- 4,167,241 A 9/1979 Zumbrunn
- 4,205,818 A * 6/1980 Lawler 248/460
- D265,873 S * 8/1982 Smith D6/429
- 4,450,638 A 5/1984 Bader
- D291,628 S * 9/1987 Poltere D6/310
- 5,010,669 A 4/1991 Moran
- 5,062,229 A 11/1991 Werjefelt
- D324,735 S * 3/1992 Collister et al. D24/222
- D334,479 S * 4/1993 Glick D6/310
- 5,337,949 A 8/1994 Seeley

Primary Examiner — Philip S Hyder

Assistant Examiner — Sydney Buffalow

(74) *Attorney, Agent, or Firm* — Heslin Rothenberg Farley
& Mesiti P.C.

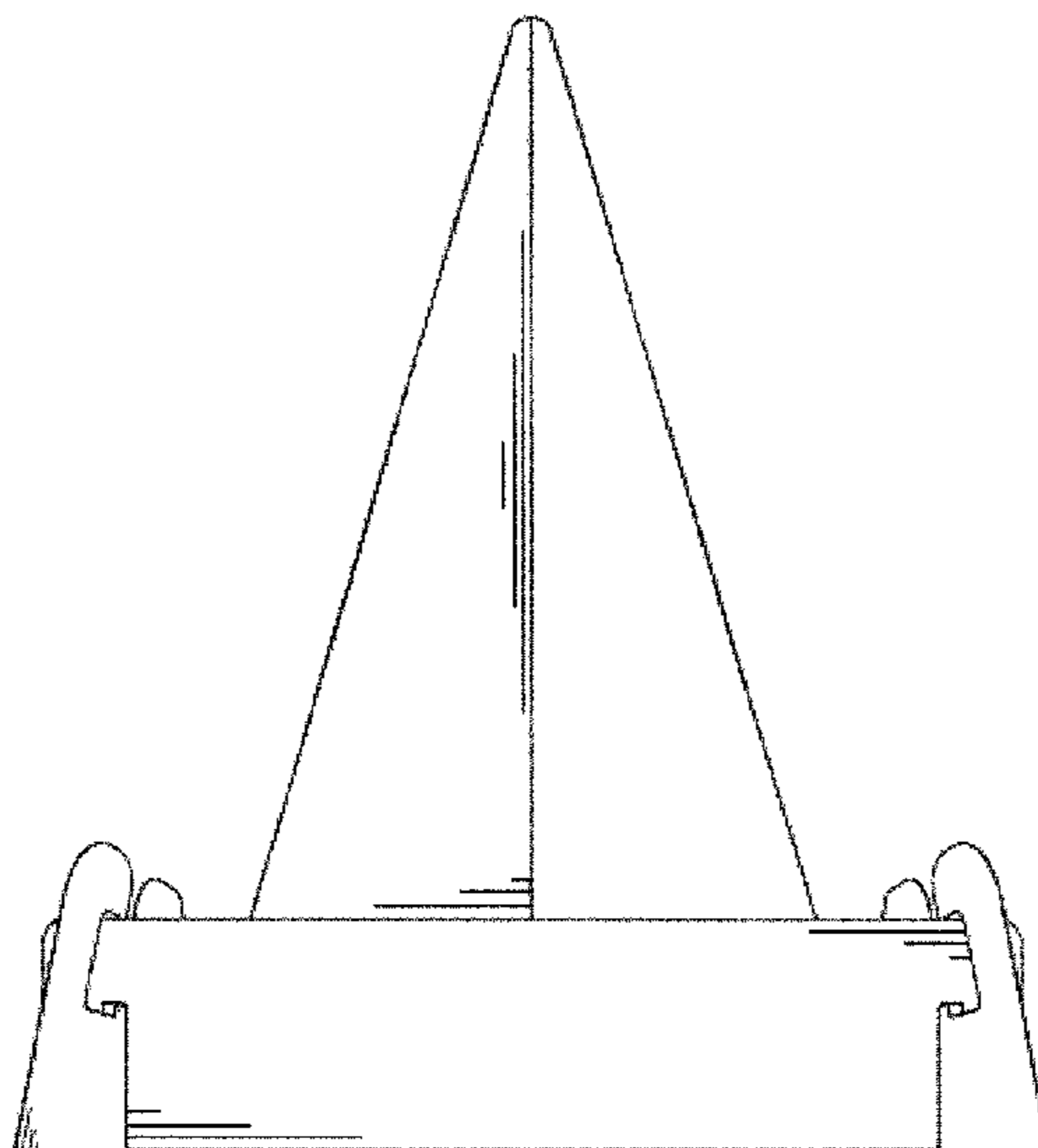
(57) **CLAIM**

The ornamental design for an easel, as shown and described.

DESCRIPTION

FIG. 1 is a front perspective view of an easel in accordance with the new design;
 FIG. 2 is a rear perspective view thereof;
 FIG. 3 is a left side perspective view thereof;
 FIG. 4 is a right side perspective view thereof;
 FIG. 5 is a top perspective view thereof; and,
 FIG. 6 is a bottom perspective view thereof.

1 Claim, 6 Drawing Sheets



US D643,635 S

Page 2

U.S. PATENT DOCUMENTS

D557,329 S * 12/2007 Lippert D17/20
D596,875 S * 7/2009 Small et al. D6/466
D609,018 S * 2/2010 Tzeng et al. D6/308
7,654,499 B2 * 2/2010 Lane 248/459
D623,866 S * 9/2010 Shaha D6/300
7,798,530 B1 * 9/2010 Mercado 281/42
2003/0222128 A1 12/2003 Snider et al.

2004/0113037 A1* 6/2004 Lane 248/459
2005/0121588 A1* 6/2005 Snuffer et al. 248/459
2005/0279906 A1* 12/2005 Moss et al. 248/459
2008/0078816 A1 4/2008 Huang

FOREIGN PATENT DOCUMENTS

JP 2005212464 8/2005

* cited by examiner

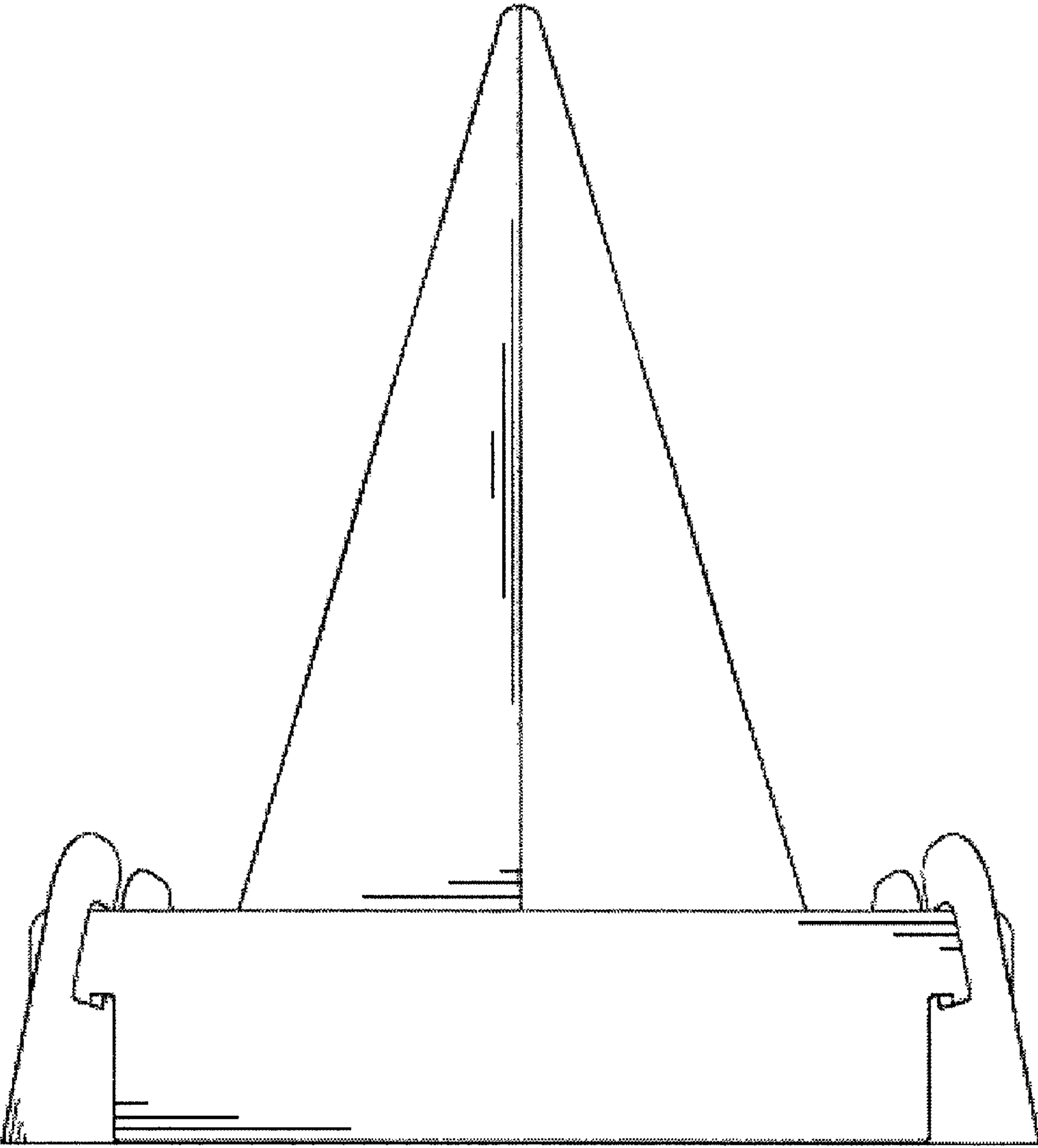


FIG. 1

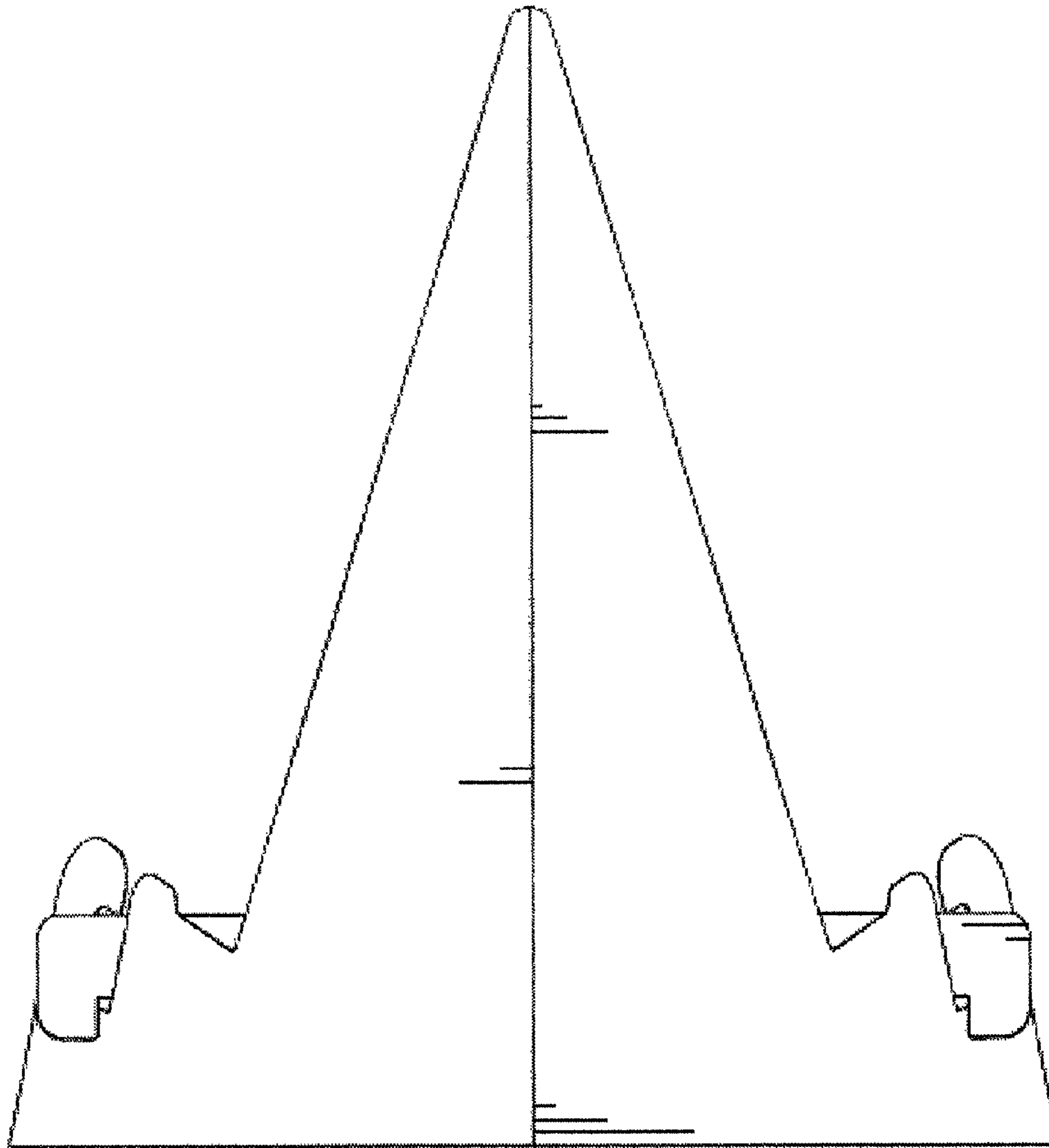


FIG. 2

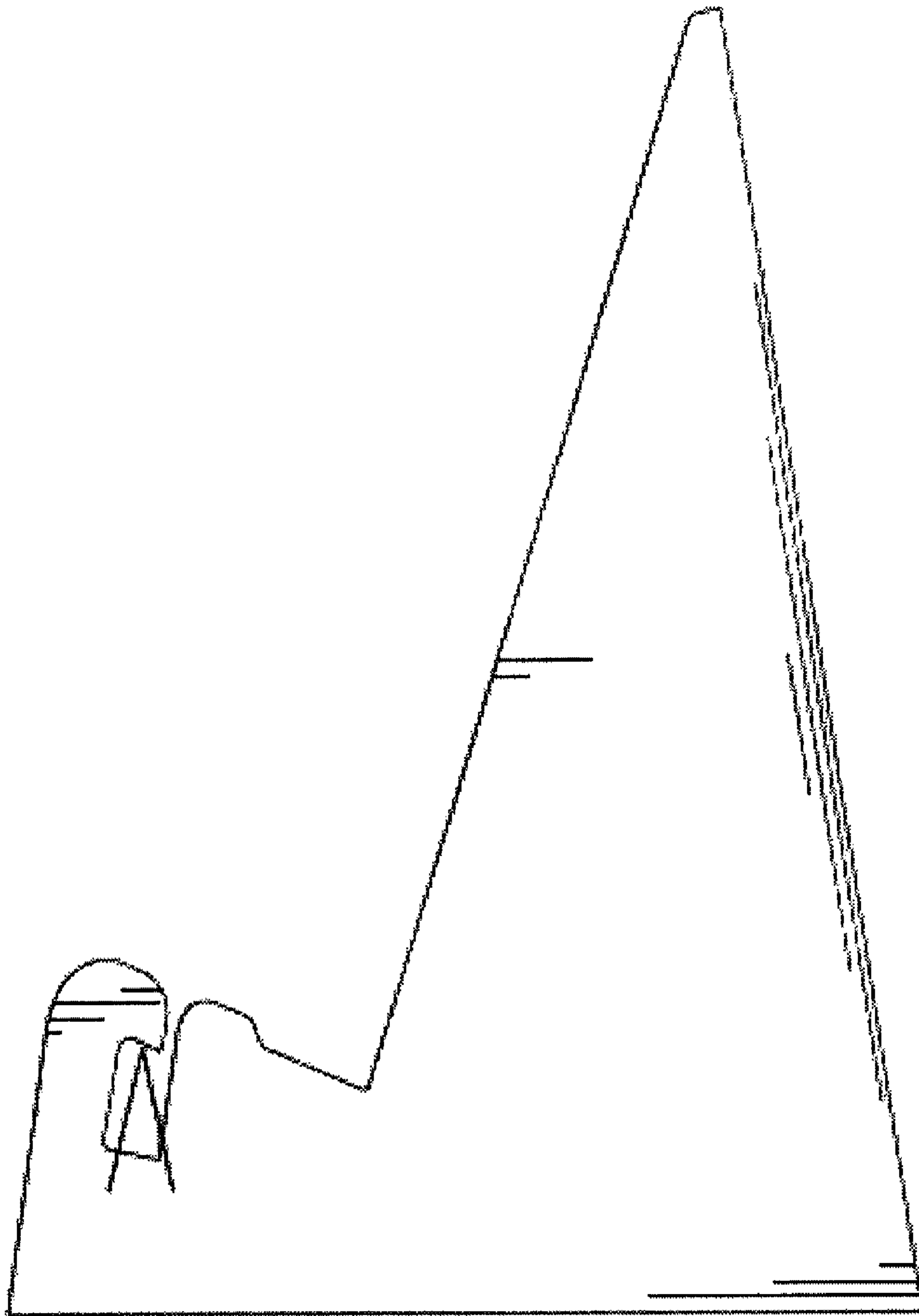


FIG. 3

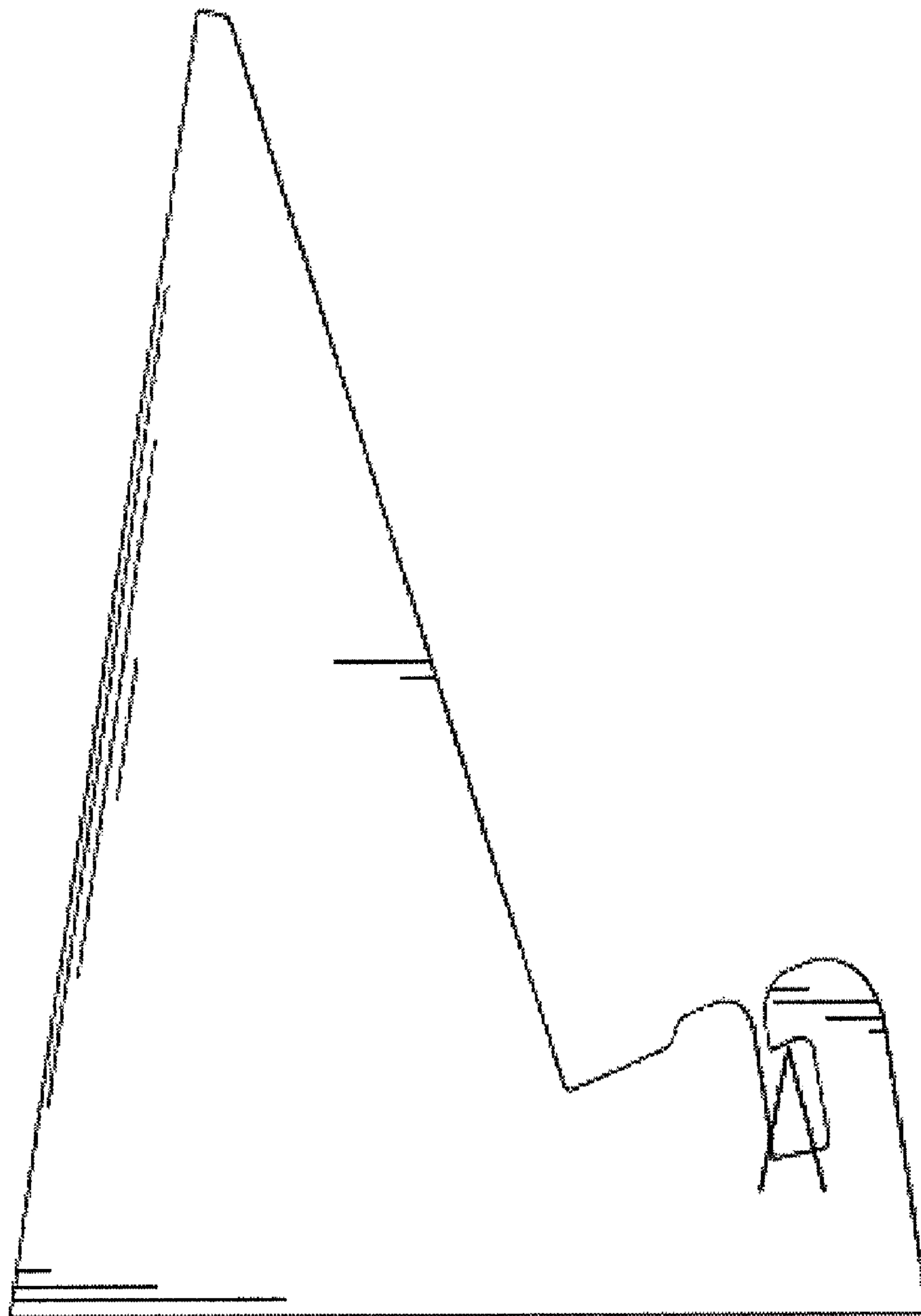


FIG. 4

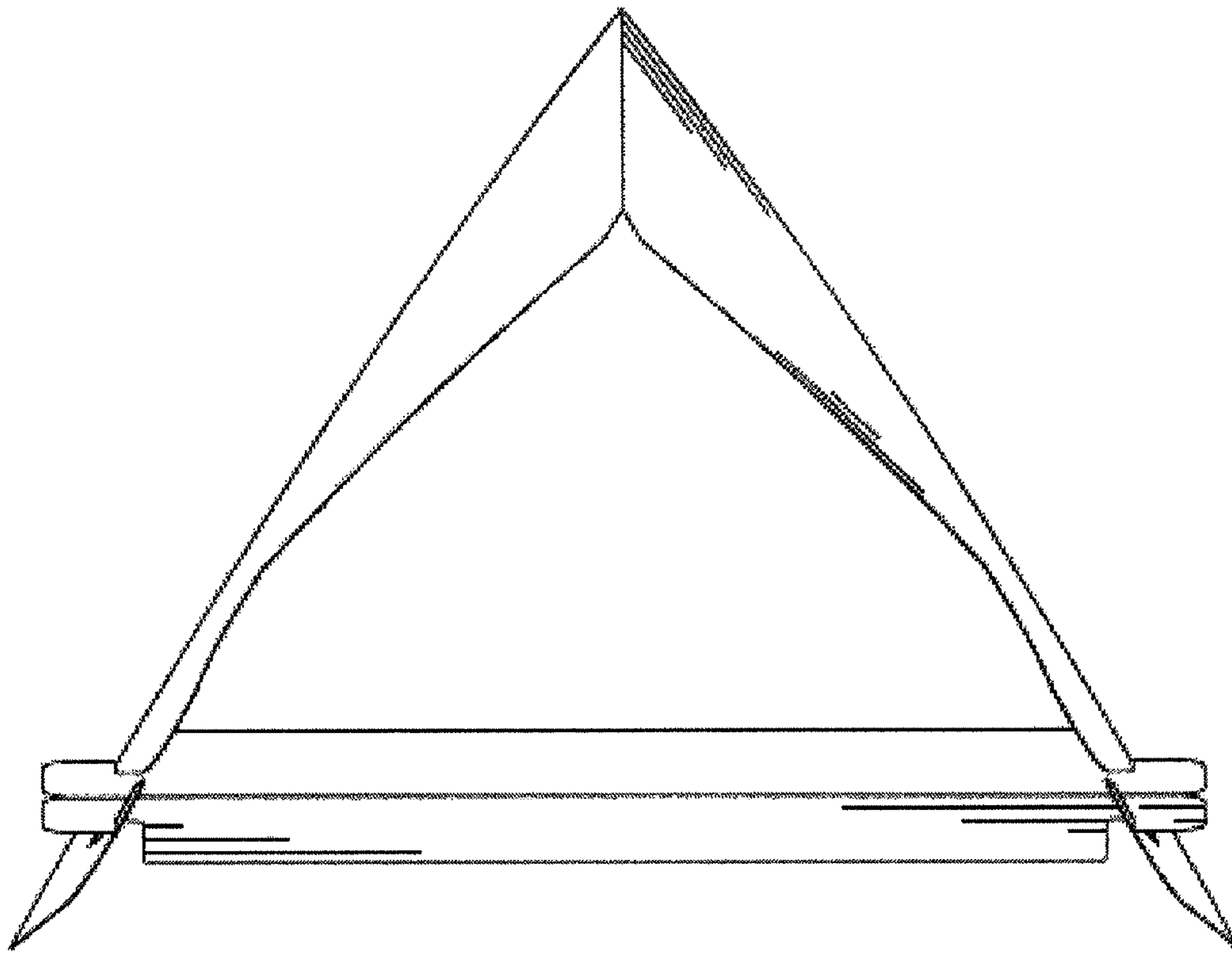


FIG. 5

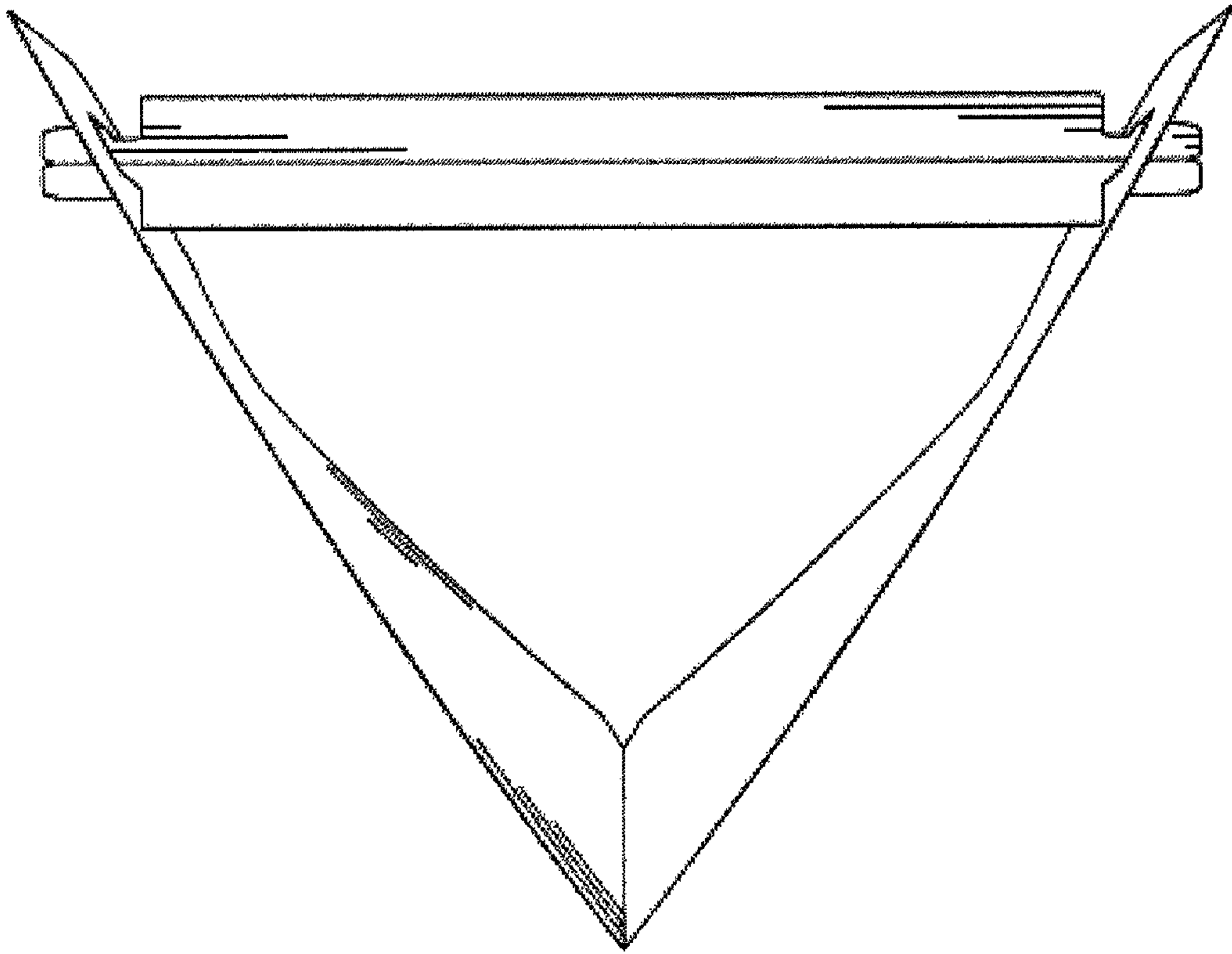


FIG. 6