



US00D643634S

(12) **United States Design Patent**
Chiu

(10) **Patent No.:** **US D643,634 S**

(45) **Date of Patent:** **** Aug. 23, 2011**

(54) **DIGITAL PHOTO FRAME**

(75) Inventor: **Yi-Chung Chiu**, Taoyuan (TW)

(73) Assignee: **Hannspree, Inc.**, Taipei (TW)

(**) Term: **14 Years**

(21) Appl. No.: **29/323,197**

(22) Filed: **Aug. 20, 2008**

(51) **LOC (9) Cl.** **06-07**

(52) **U.S. Cl.** **D6/308**

(58) **Field of Classification Search** D6/300-314,
D6/449; D10/15, 20, 21, 24, 75; D14/128,
D14/371, 372, 448, 449, 450, 374, 381, 382,
D14/336, 337; 40/700, 768, 717, 714, 721,
40/735, 773; D20/10

See application file for complete search history.

D416,808 S * 11/1999 Haruta D10/21
D436,451 S * 1/2001 Whitcomb D6/300
D448,936 S * 10/2001 Duy D6/300
D480,222 S * 10/2003 Lee D6/300
D484,422 S * 12/2003 Hnidak D10/21
D527,535 S * 9/2006 Sturba et al. D6/310
D534,141 S * 12/2006 Onoda et al. D14/128

* cited by examiner

Primary Examiner — Philip S Hyder

Assistant Examiner — Sydney Buffalow

(74) *Attorney, Agent, or Firm* — Hamre, Schumann, Mueller & Larson, P.C.

(57) **CLAIM**

The ornamental design for a digital photo frame, as shown and described.

DESCRIPTION

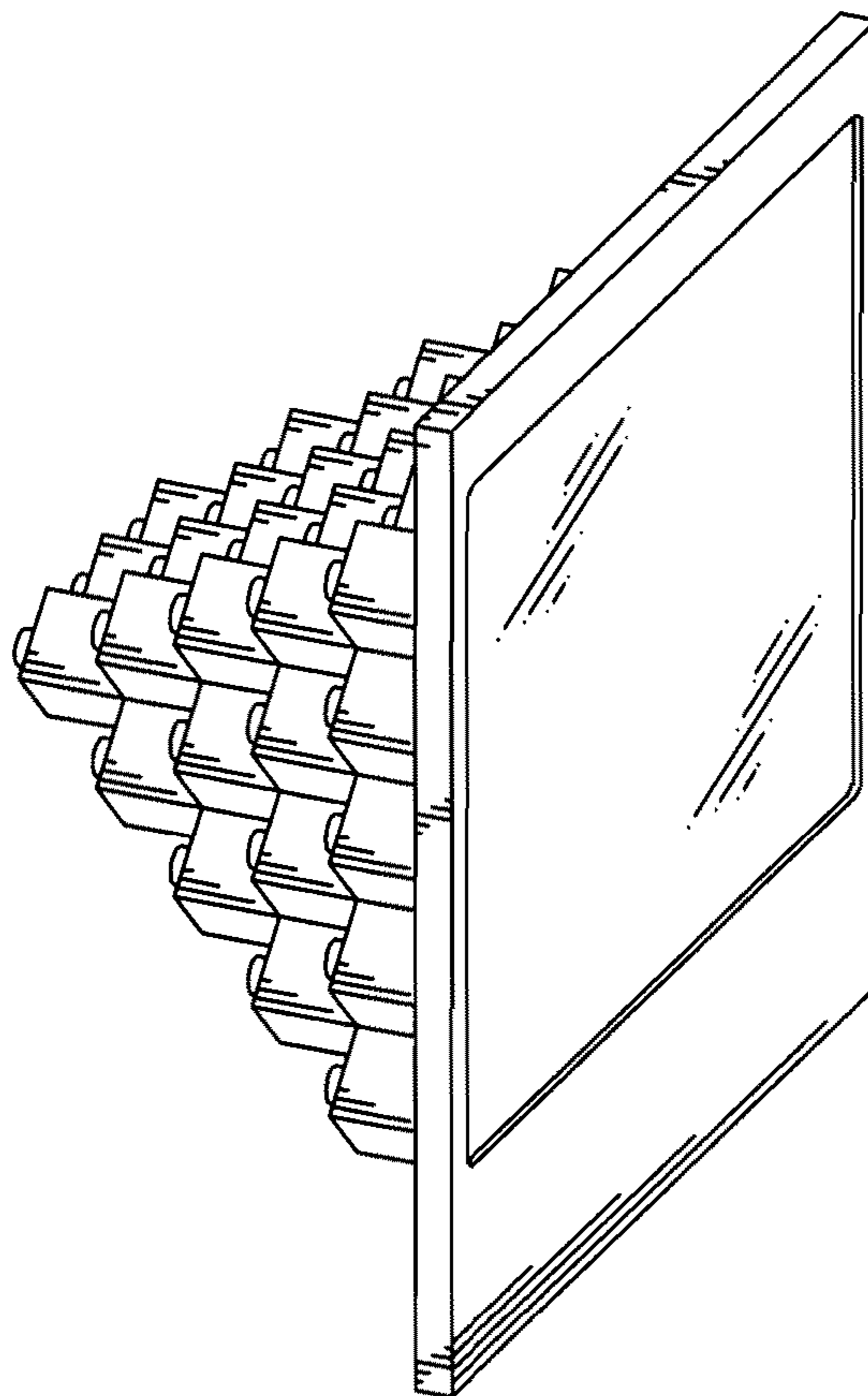
FIG. 1 is a front perspective view of a digital photo frame in accordance with my invention thereof;
FIG. 2 is a front elevational view thereof;
FIG. 3 is a rear elevational view thereof;
FIG. 4 is a left side elevational view thereof;
FIG. 5 is a right side elevational view thereof;
FIG. 6 is a top plan view thereof; and,
FIG. 7 is a bottom plan view thereof.

1 Claim, 7 Drawing Sheets

(56) **References Cited**

U.S. PATENT DOCUMENTS

D217,197 S * 4/1970 Phillips D6/449
D310,032 S * 8/1990 Murata D10/15
D311,141 S * 10/1990 Murata D10/15
D318,622 S * 7/1991 Wada D10/15
D349,896 S * 8/1994 Gale et al. D14/128
D355,545 S * 2/1995 Dobson D6/470
D355,648 S * 2/1995 Gale et al. D14/128
D380,617 S * 7/1997 Long D6/308



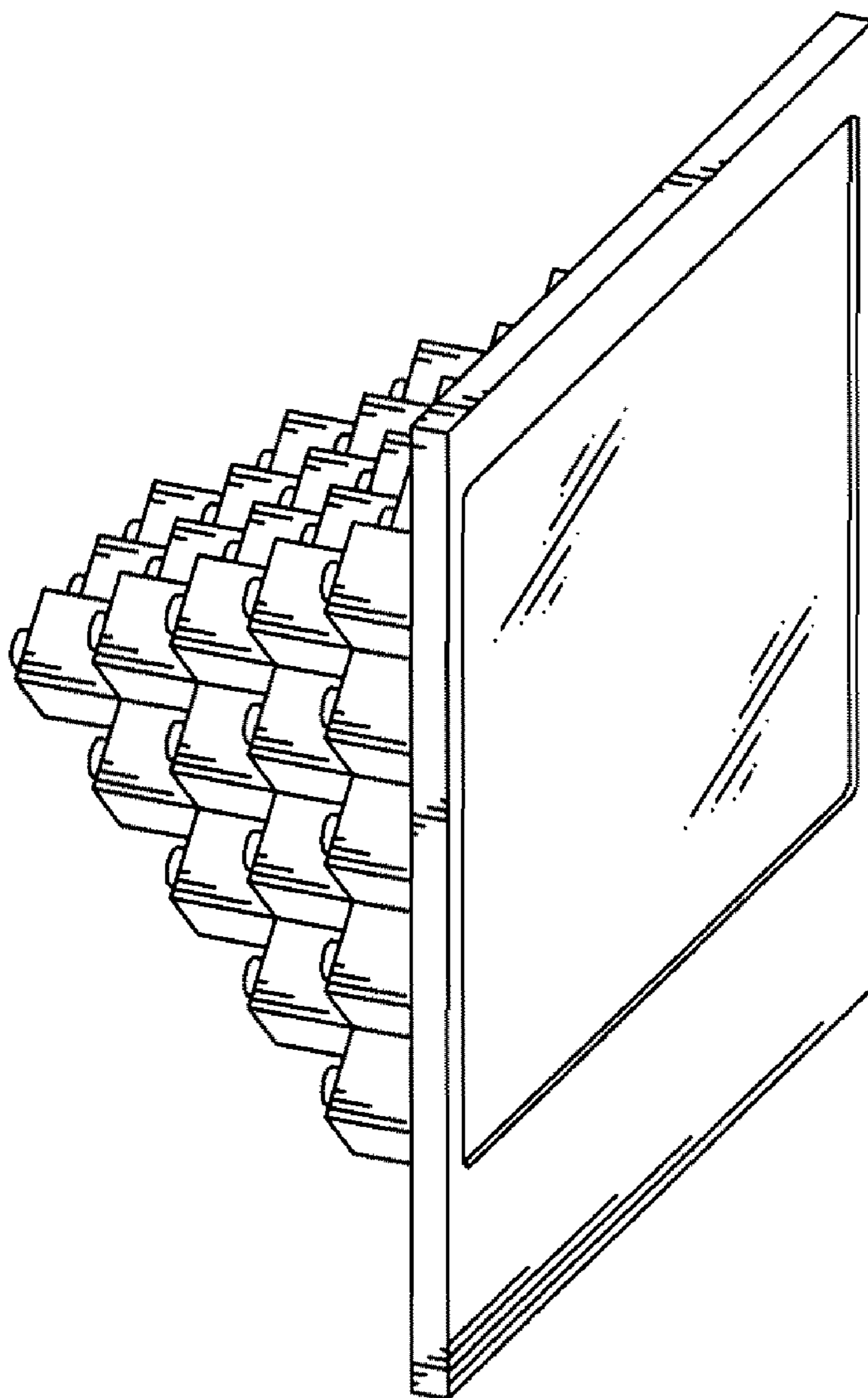


FIG. 1

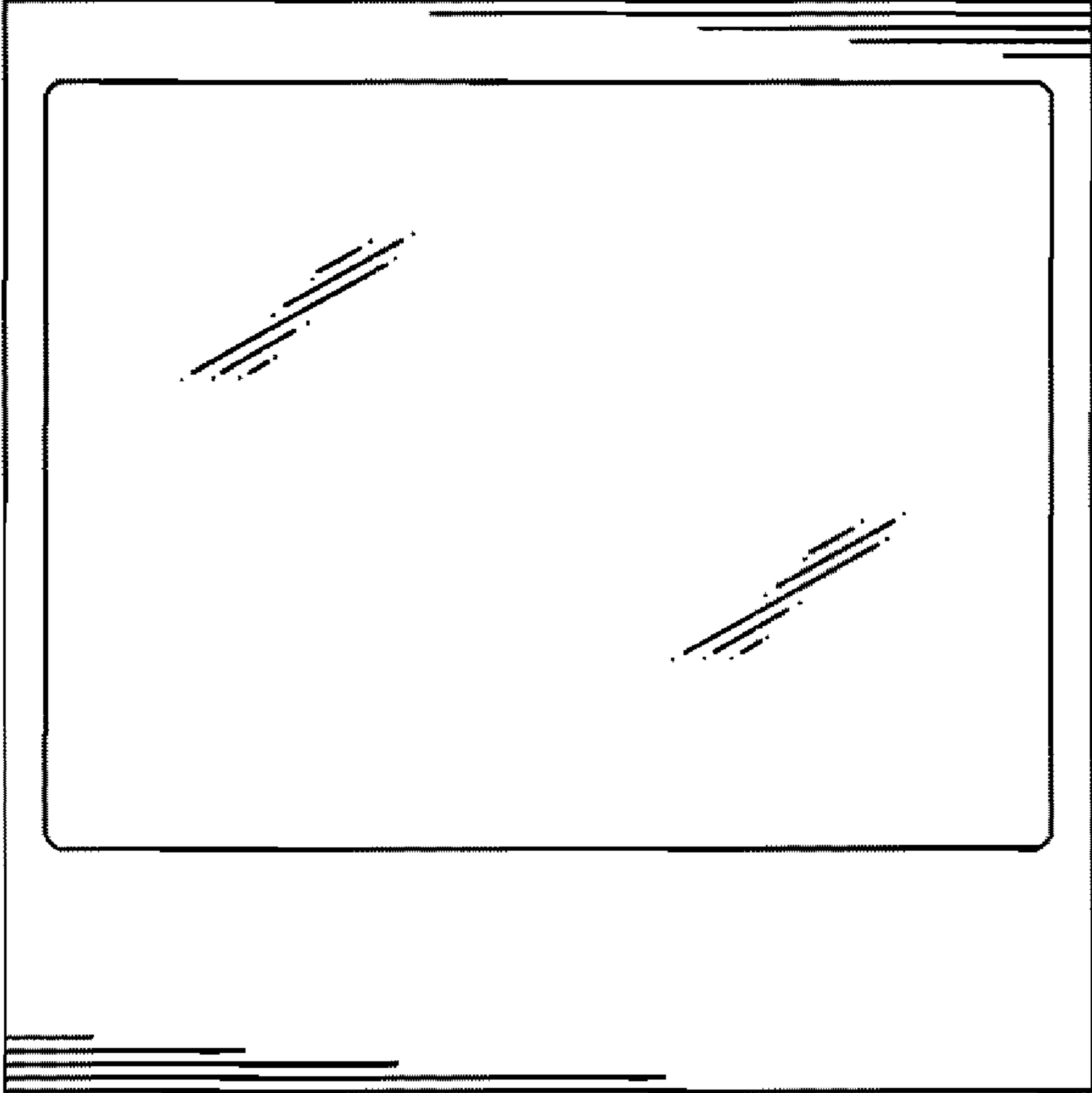


FIG. 2

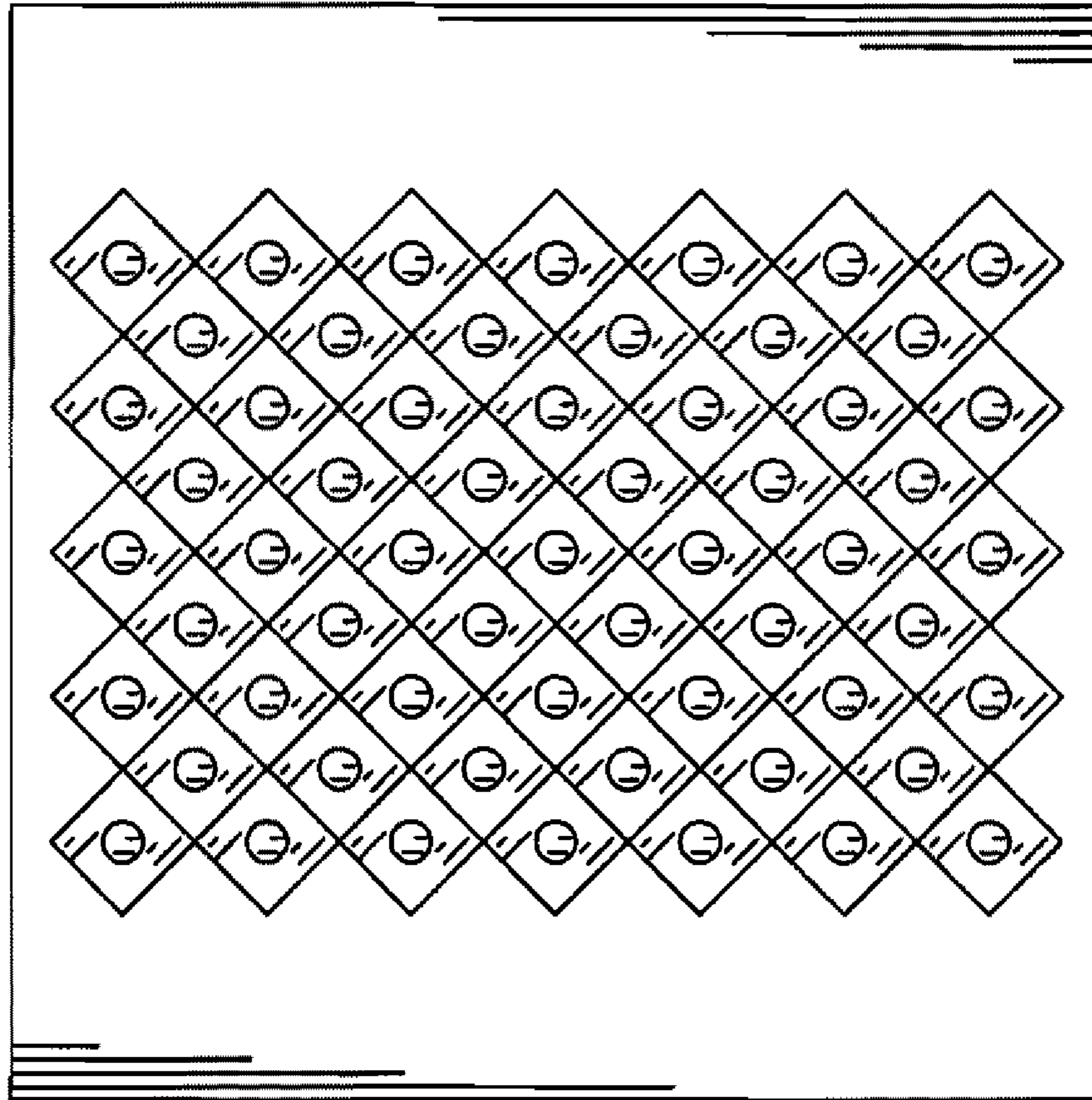


FIG. 3

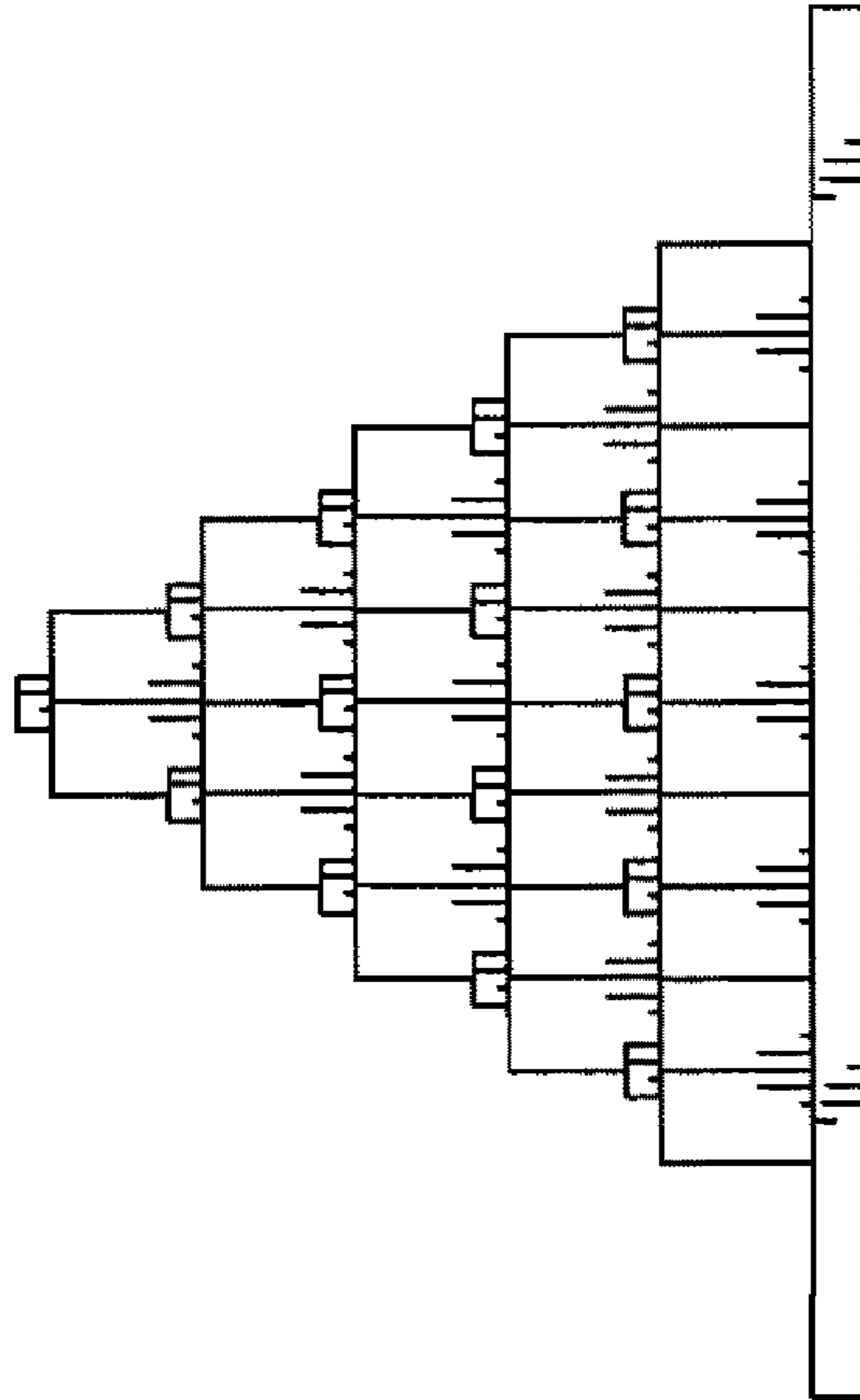


FIG. 4

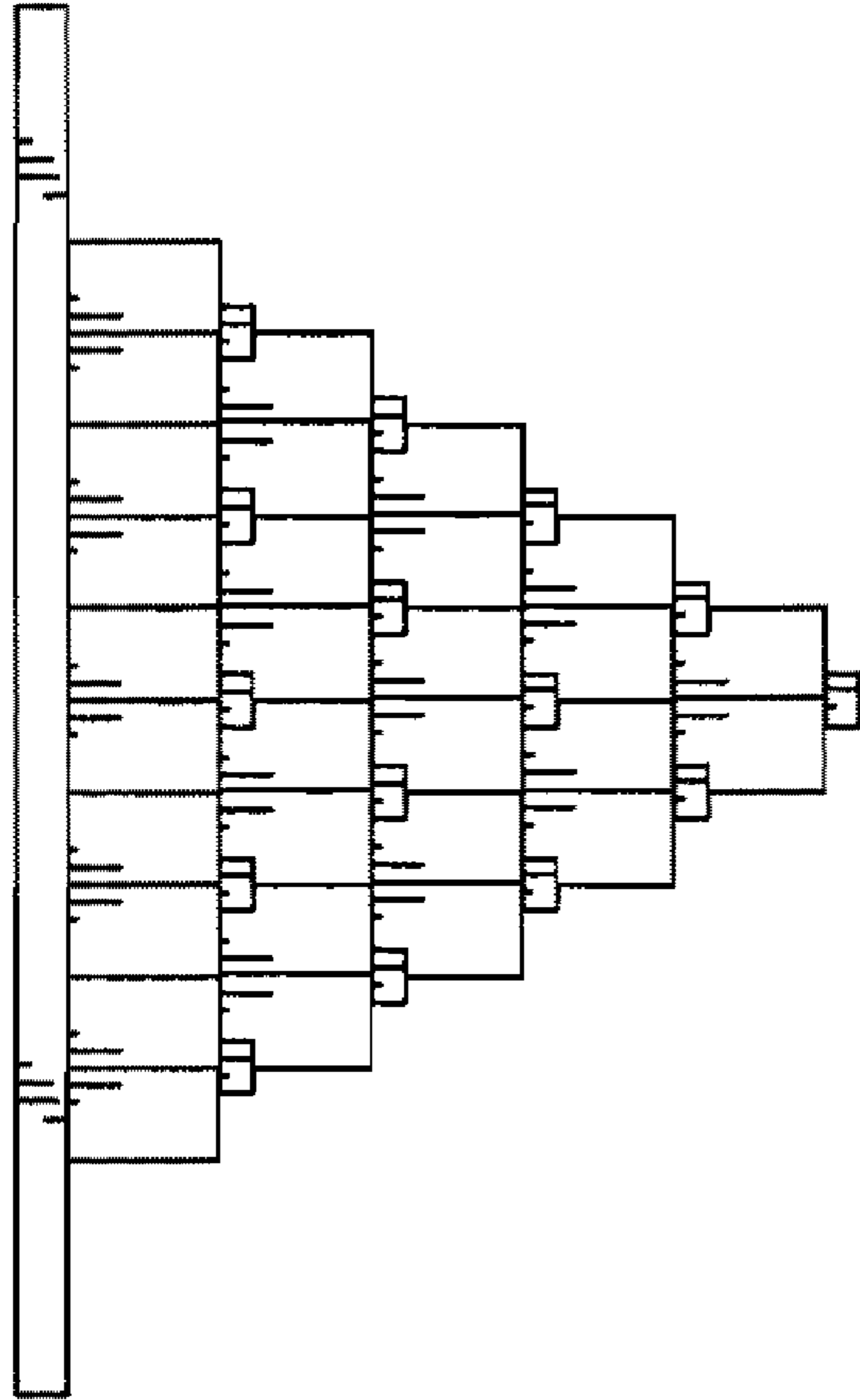


FIG. 5

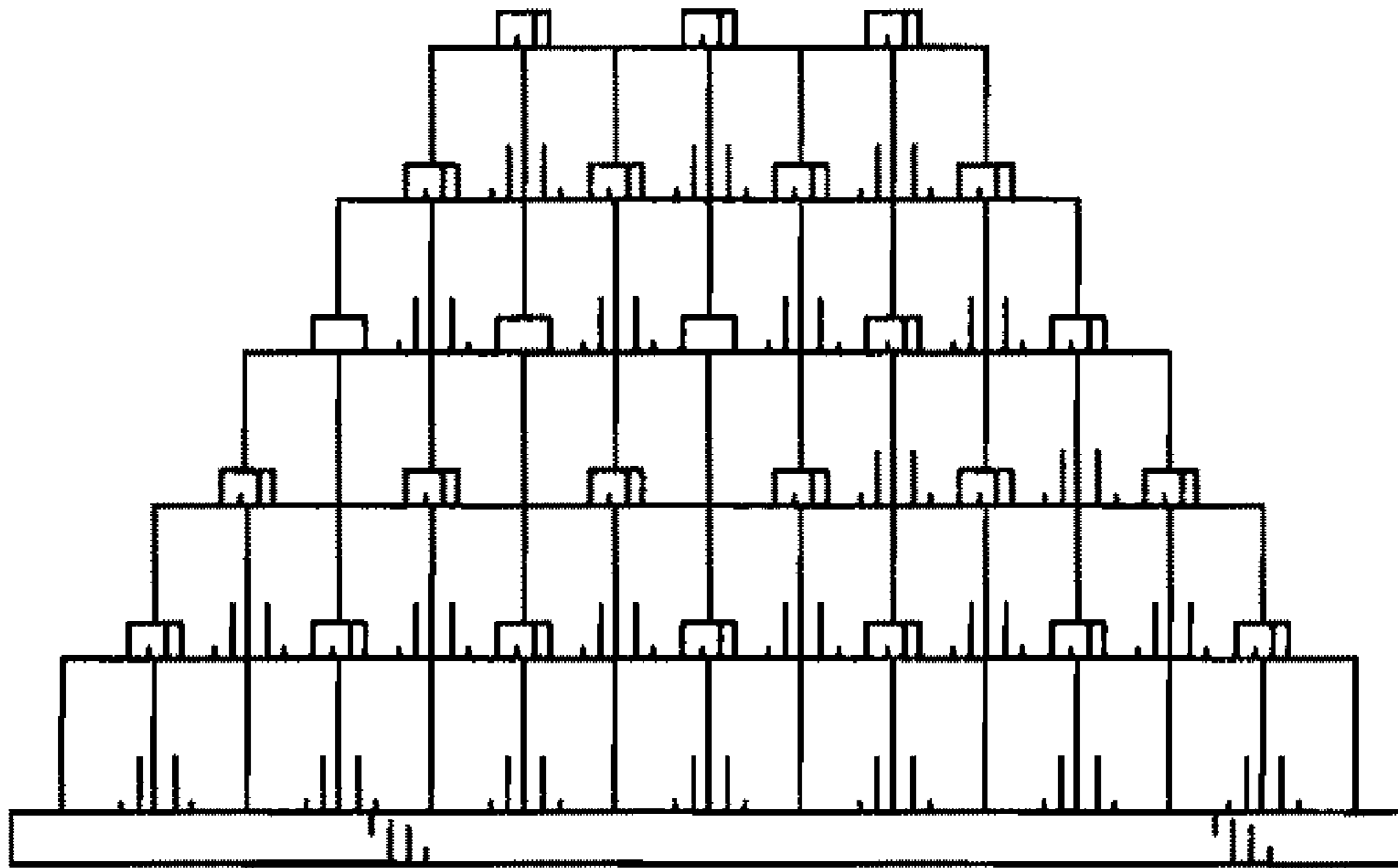


FIG. 6

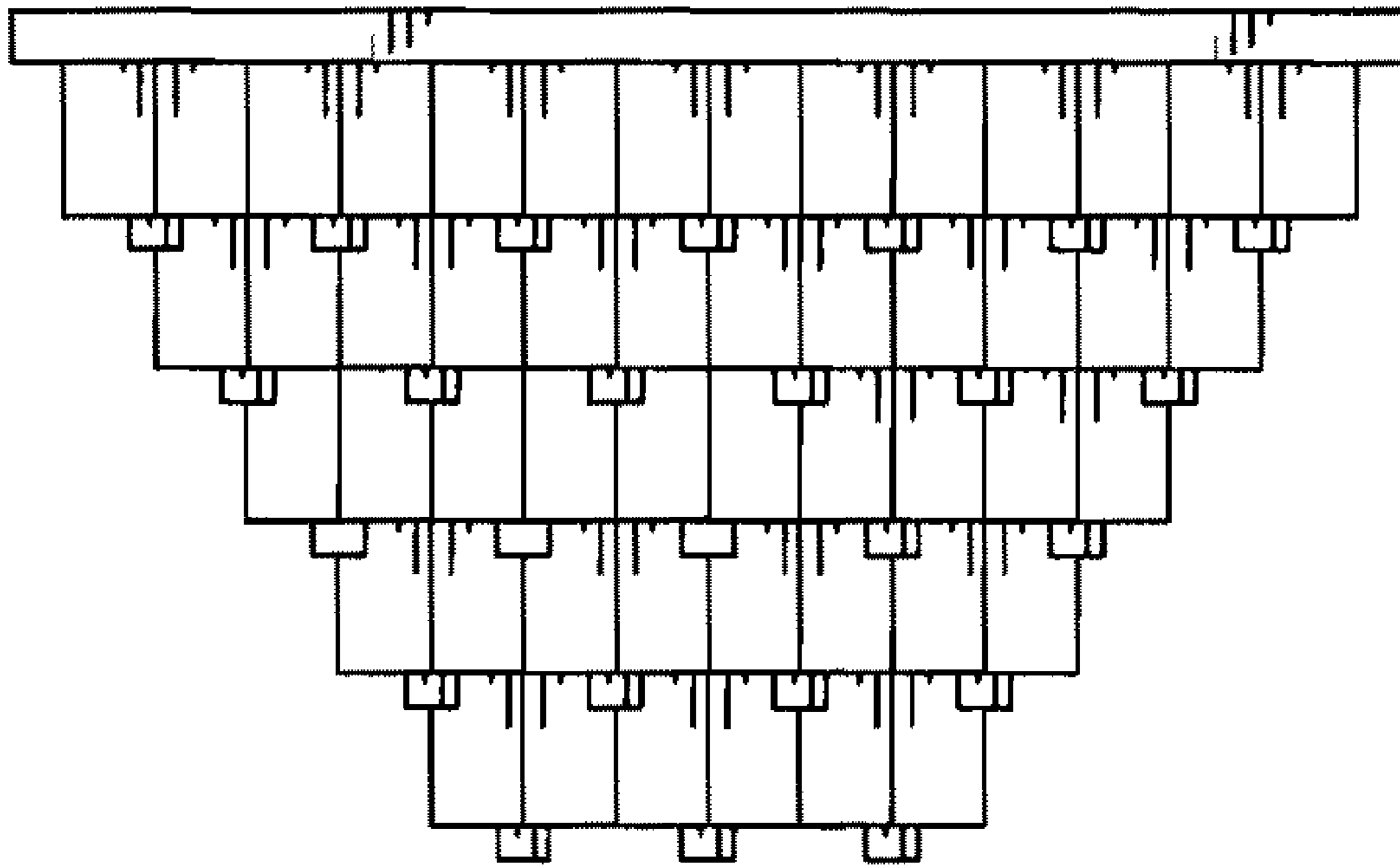


FIG. 7