



US00D643633S

(12) **United States Design Patent**
Chiu

(10) **Patent No.:** **US D643,633 S**

(45) **Date of Patent:** **** Aug. 23, 2011**

(54) **DIGITAL PHOTO FRAME**

(75) Inventor: **Yi-Chung Chiu**, Taoyuan (TW)

(73) Assignee: **Hannspree, Inc.**, Taipei (TW)

(**) Term: **14 Years**

(21) Appl. No.: **29/323,194**

(22) Filed: **Aug. 20, 2008**

(51) **LOC (9) Cl.** **06-07**

(52) **U.S. Cl.** **D6/308; D6/303**

(58) **Field of Classification Search** D6/300-314,
D6/449; D10/15, 20, 21, 24, 75; D14/128,
D14/371, 372, 448, 449, 450, 374, 381, 382,
D14/336, 337; 40/700, 768, 717, 714, 721,
40/735, 773; D20/10

See application file for complete search history.

(56) **References Cited**

U.S. PATENT DOCUMENTS

D217,197 S *	4/1970	Phillips	D6/449
D310,032 S *	8/1990	Murata	D10/15
D311,141 S *	10/1990	Murata	D10/15
D318,622 S *	7/1991	Wada	D10/15
D349,896 S *	8/1994	Gale et al.	D14/128
D355,545 S *	2/1995	Dobson	D6/470

D355,648 S *	2/1995	Gale et al.	D14/128
D380,617 S *	7/1997	Long	D6/308
D416,808 S *	11/1999	Haruta	D10/21
D436,451 S *	1/2001	Whitcomb	D6/300
D448,936 S *	10/2001	Duy	D6/300
D480,222 S *	10/2003	Lee	D6/300
D484,422 S *	12/2003	Hnidak	D10/21
D527,535 S *	9/2006	Sturba et al.	D6/310
D534,141 S *	12/2006	Onoda et al.	D14/128

* cited by examiner

Primary Examiner — Phillip S Hyder

Assistant Examiner — Sydney Buffalow

(74) *Attorney, Agent, or Firm* — Hamre, Schumann, Mueller & Larson, P.C.

(57) **CLAIM**

The ornamental design for a digital photo frame, as shown.

DESCRIPTION

FIG. 1 is a front elevational view of a digital photo frame in accordance with my invention thereof;

FIG. 2 is a front elevational view thereof;

FIG. 3 is a rear elevational view thereof;

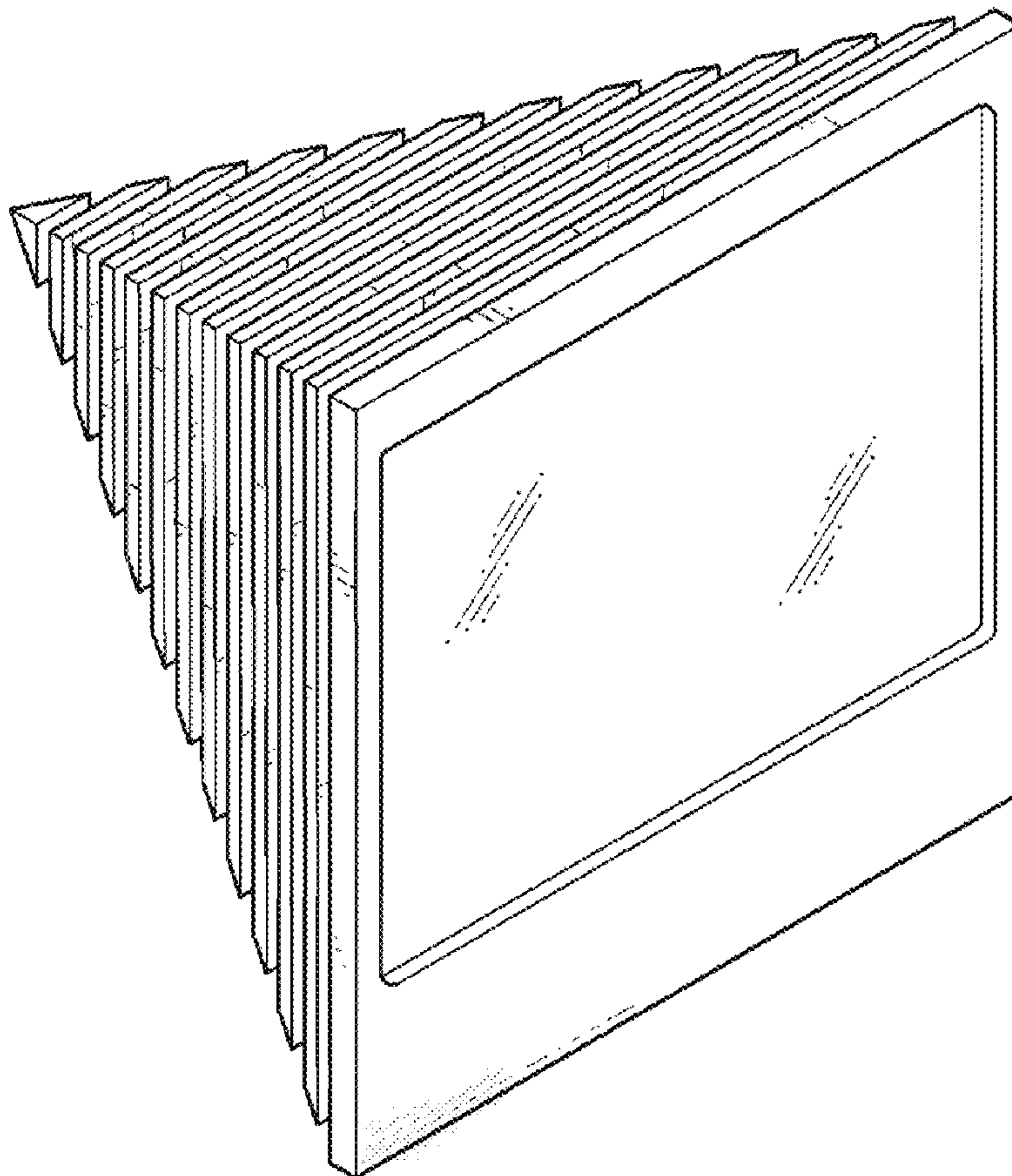
FIG. 4 is a left side elevational view thereof;

FIG. 5 is a right side elevational view thereof;

FIG. 6 is a top plan view thereof; and,

FIG. 7 is a bottom plan view thereof.

1 Claim, 7 Drawing Sheets



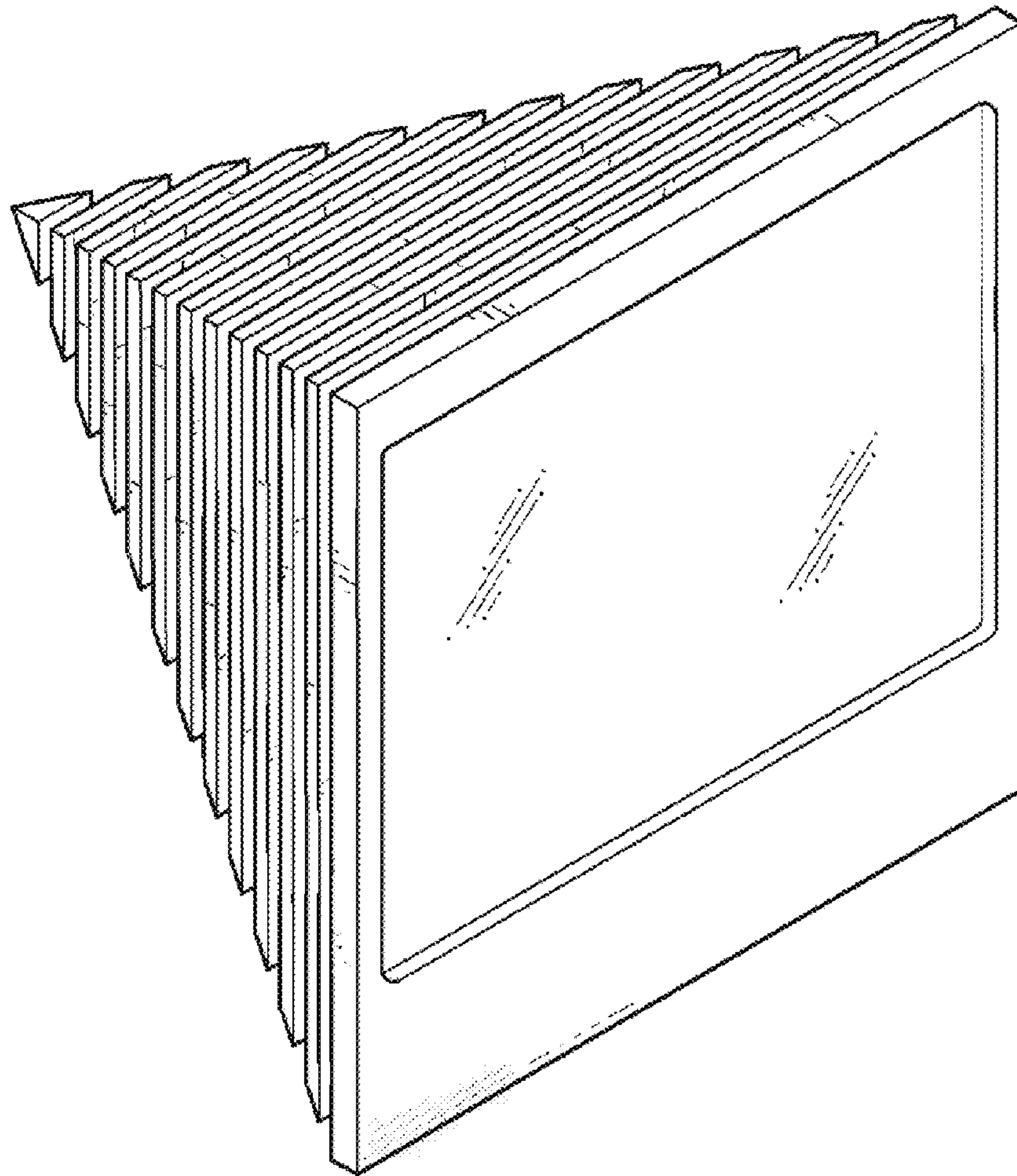


FIG. 1

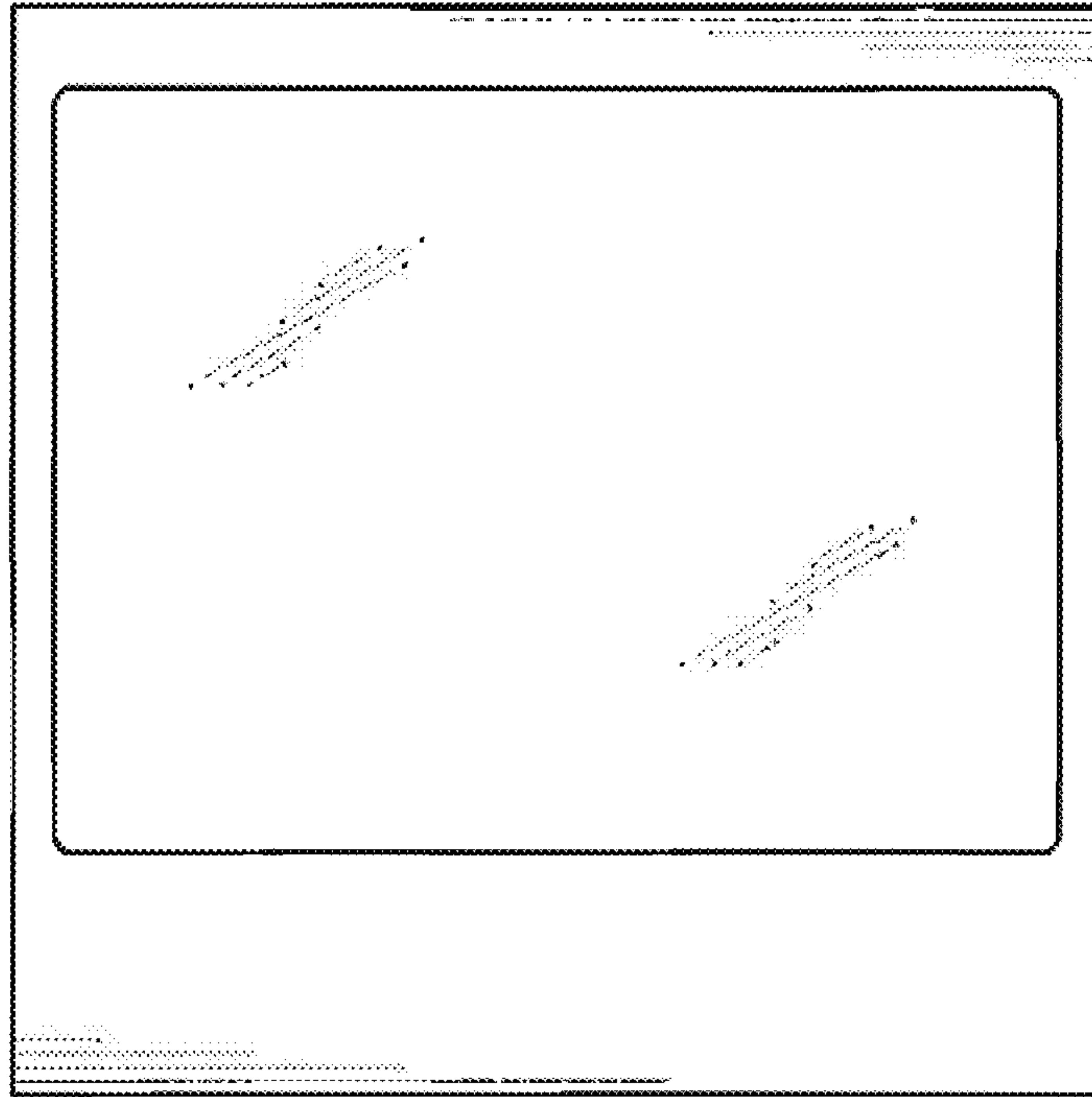


FIG. 2

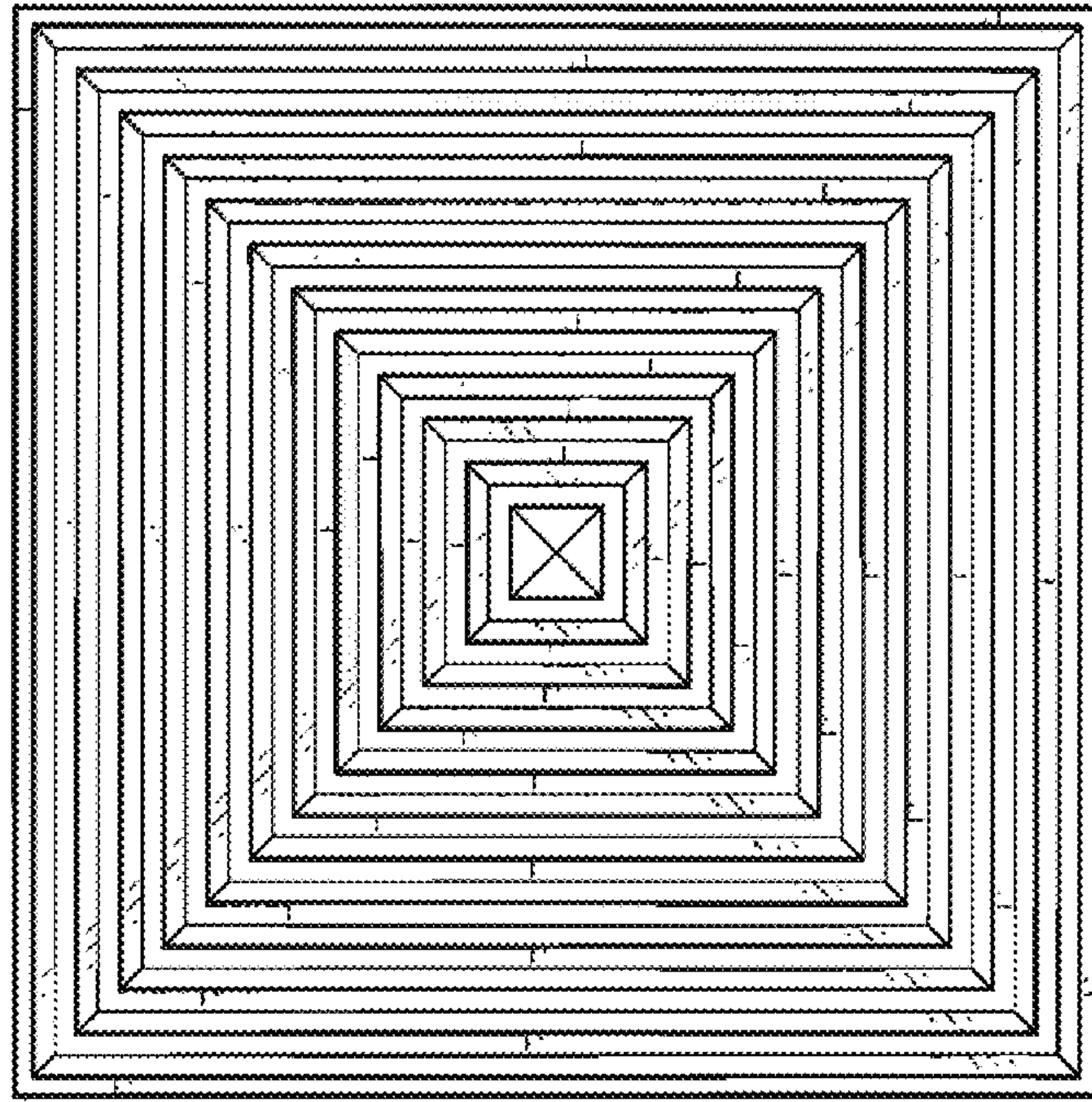


FIG. 3

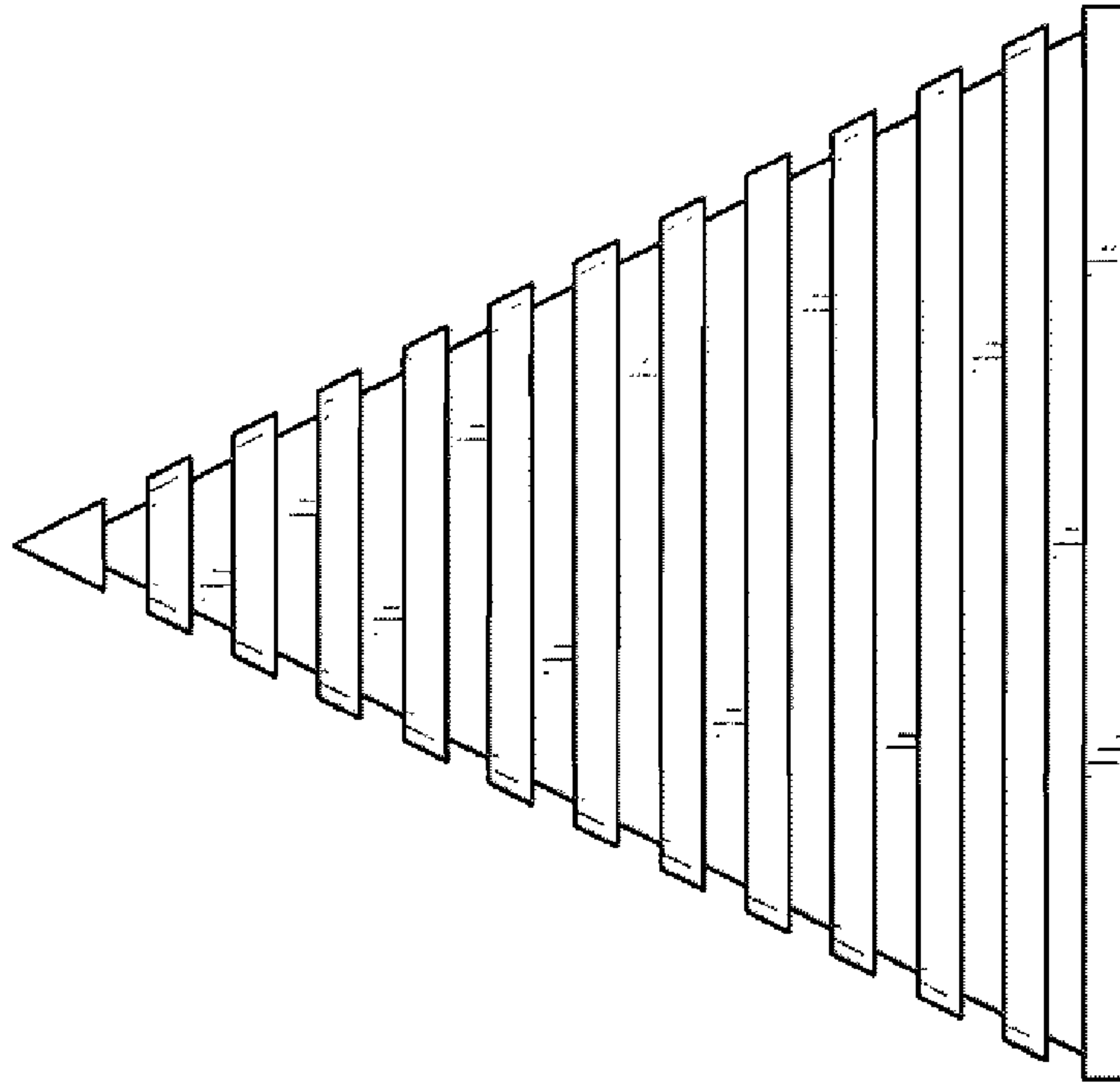


FIG. 4

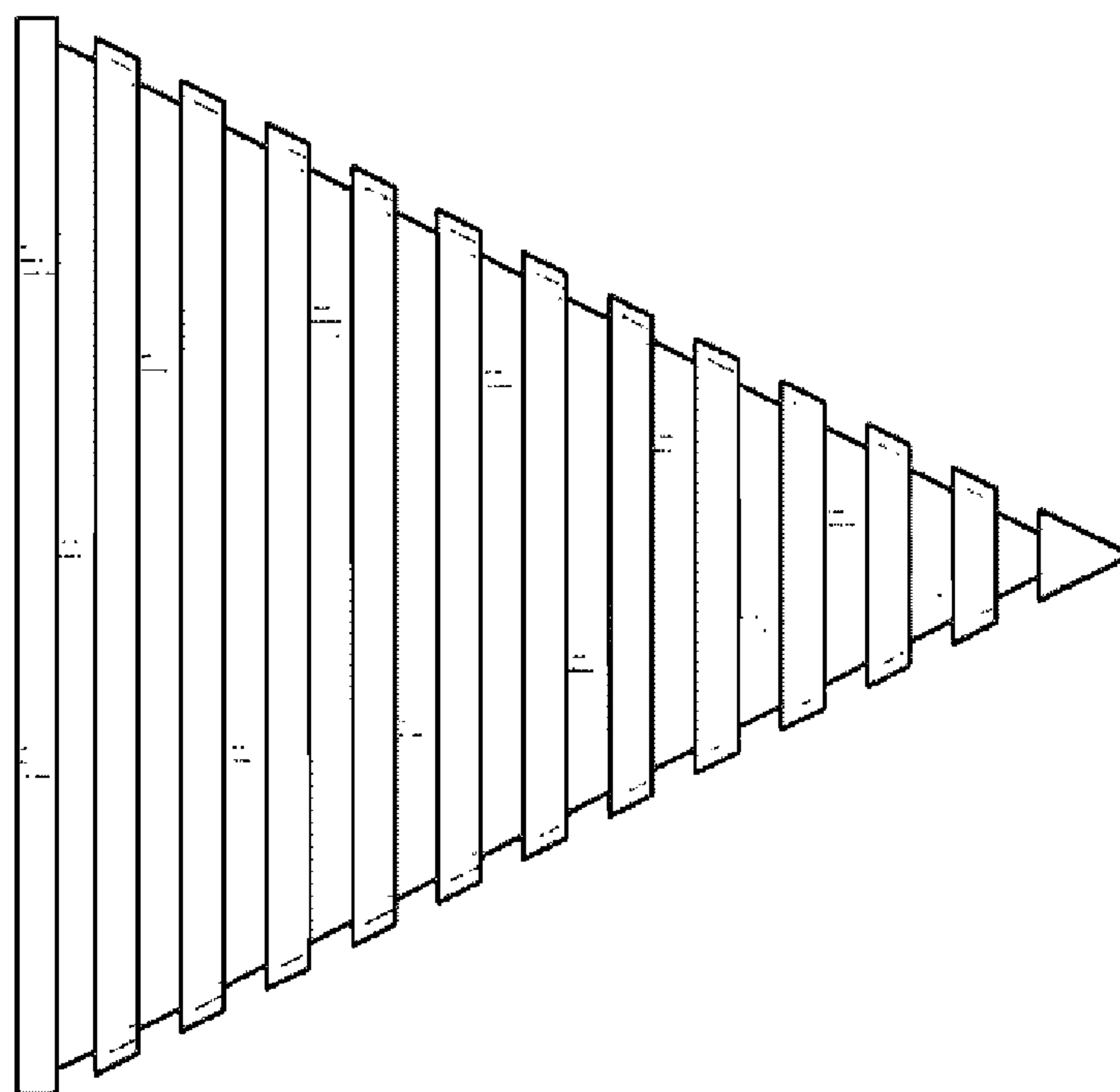


FIG. 5

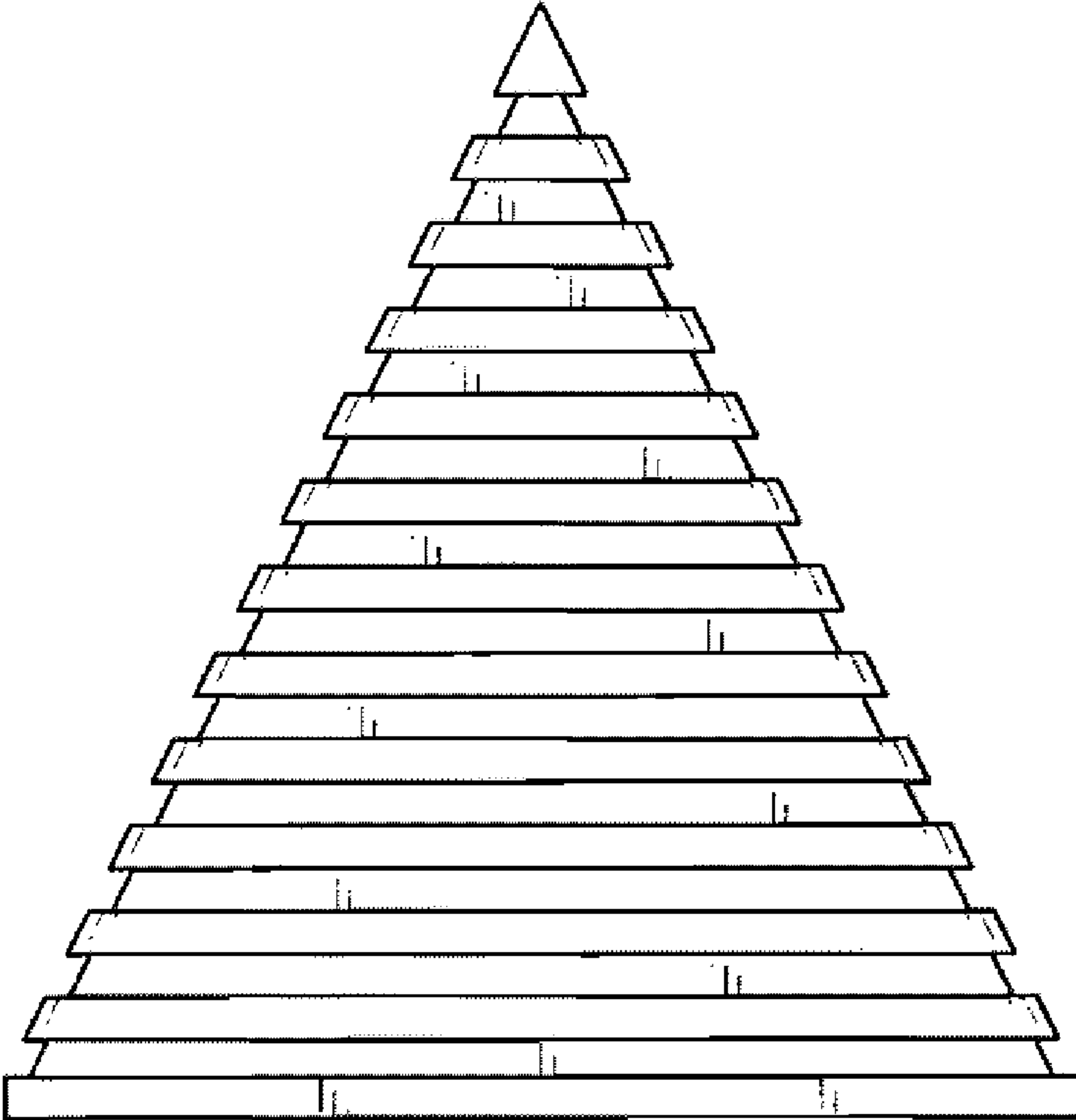


FIG. 6

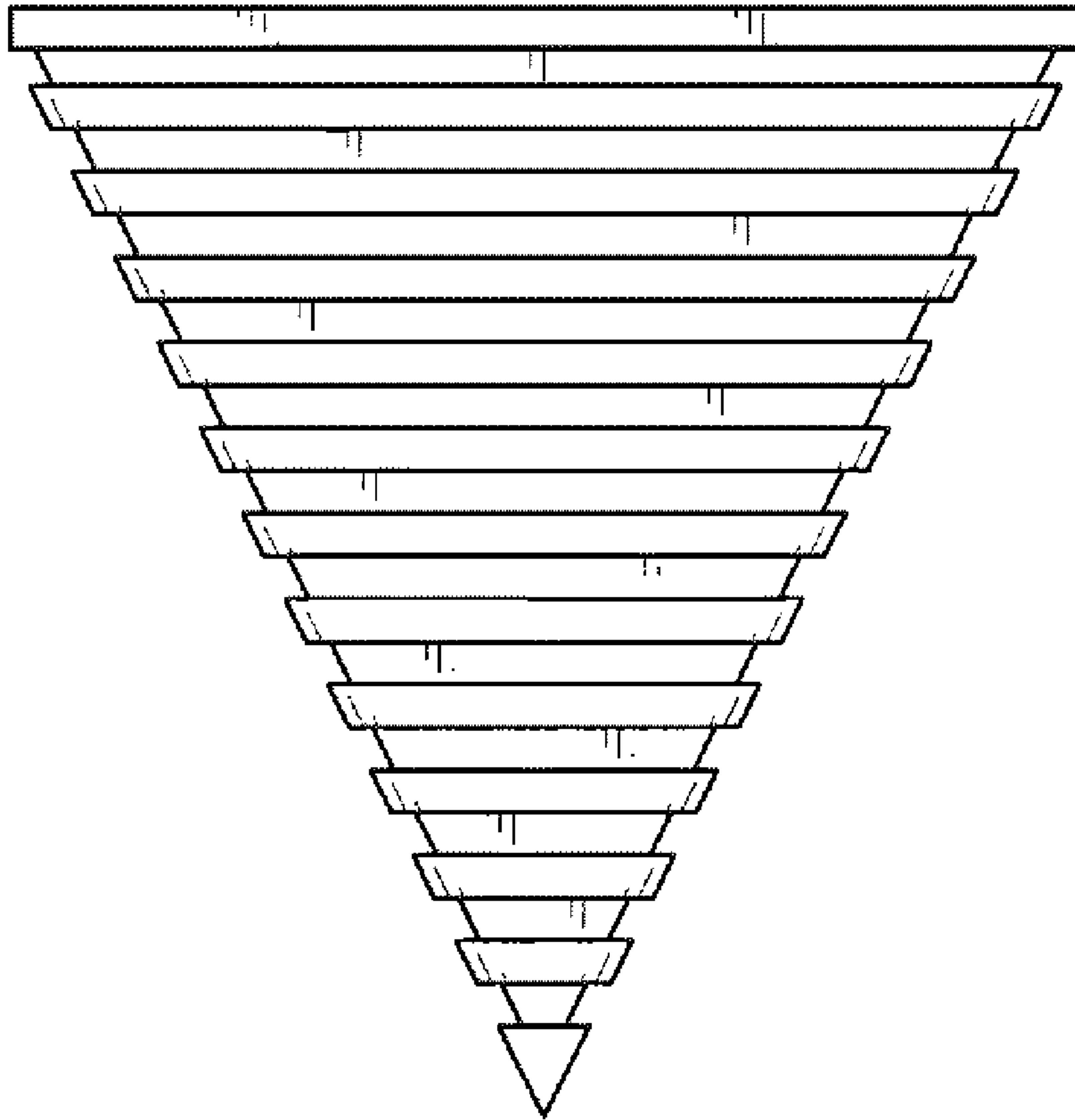


FIG. 7