



US00D643629S

(12) **United States Design Patent**
Sofy et al.

(10) **Patent No.:** **US D643,629 S**

(45) **Date of Patent:** **** Aug. 23, 2011**

(54) **STORAGE CONTAINER WITH HANDLE AND LID**

(75) Inventors: **Janet M. Sofy**, Troy, MI (US); **Robert T. Solomon**, Ray, MI (US)

(73) Assignee: **HMS Manufacturing Co.**, Troy, MI (US)

(**) Term: **14 Years**

(21) Appl. No.: **29/377,289**

(22) Filed: **Oct. 20, 2010**

(51) **LOC (9) Cl.** **03-01**

(52) **U.S. Cl.** **D3/302**

(58) **Field of Classification Search** D3/272-273,
D3/284, 294, 302; 206/503, 505, 508-509,
206/511

See application file for complete search history.

(56) **References Cited**

U.S. PATENT DOCUMENTS

D234,273	S	*	2/1975	Wilson	D3/272
4,499,998	A		2/1985	Carlson		
5,040,834	A		8/1991	Kahl et al.		
D350,646	S	*	9/1994	Bescher et al.	D3/318
D378,552	S		3/1997	Lippisch		
D384,204	S		9/1997	Lippisch		
5,904,269	A		5/1999	Wolff		

D427,769	S		7/2000	Zimmerman		
D439,406	S		3/2001	Zimmerman		
D466,299	S		12/2002	Zimmerman		
D532,605	S	*	11/2006	Klein	D3/294
D593,751	S	*	6/2009	McDade	D3/272

* cited by examiner

Primary Examiner — Holly Baynham

(74) *Attorney, Agent, or Firm* — Harold W. Milton, Jr.;
Dickinson Wright PLLC

(57) **CLAIM**

We claim the ornamental design for a storage container with handle and lid, as shown.

DESCRIPTION

FIG. 1 is a perspective view of the container and handle and lid design;

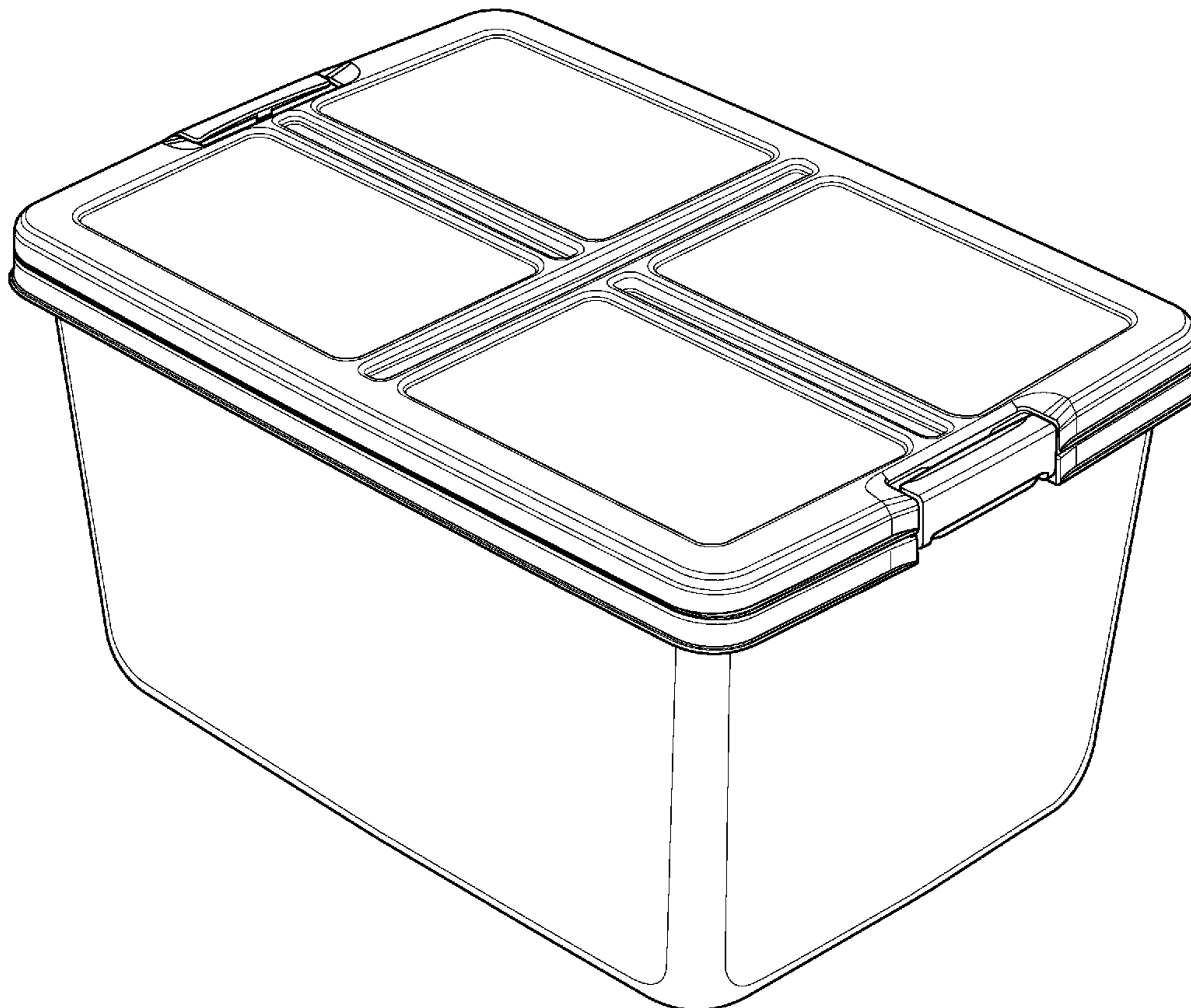
FIG. 2 is an enlarged view of the lid and handle design of FIG. 1 detailing a locked position of the handle engaging the lid; FIG. 3 is a top view of the container and handle and lid design of FIG. 1;

FIG. 4 is a bottom view of the of the container and handle and lid design of FIG. 1;

FIG. 5 is a side view of the container and handle and lid design of FIG. 1; and,

FIG. 6 is an end view of the container and handle and lid design of FIG. 1.

1 Claim, 6 Drawing Sheets



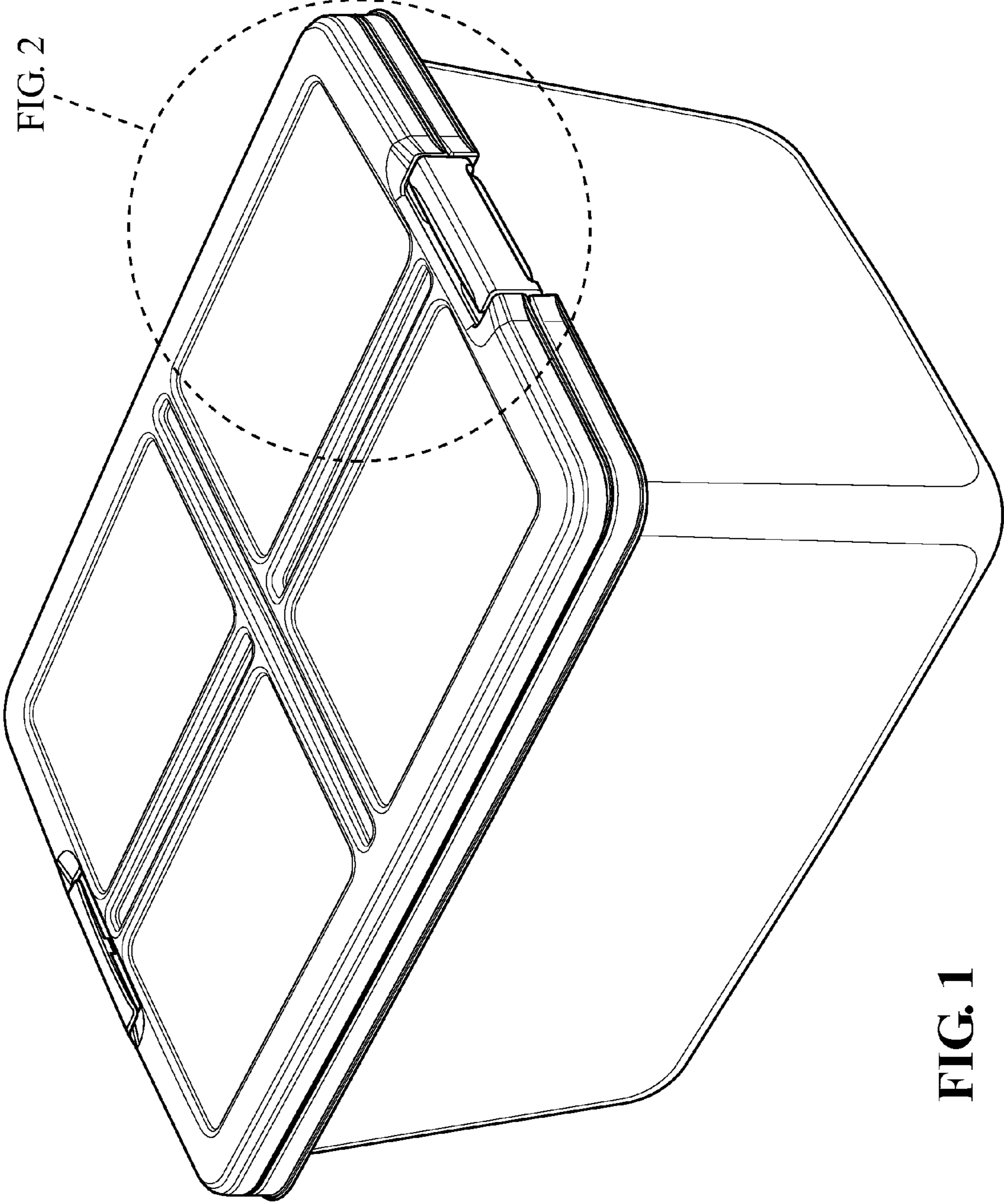


FIG. 2

FIG. 1

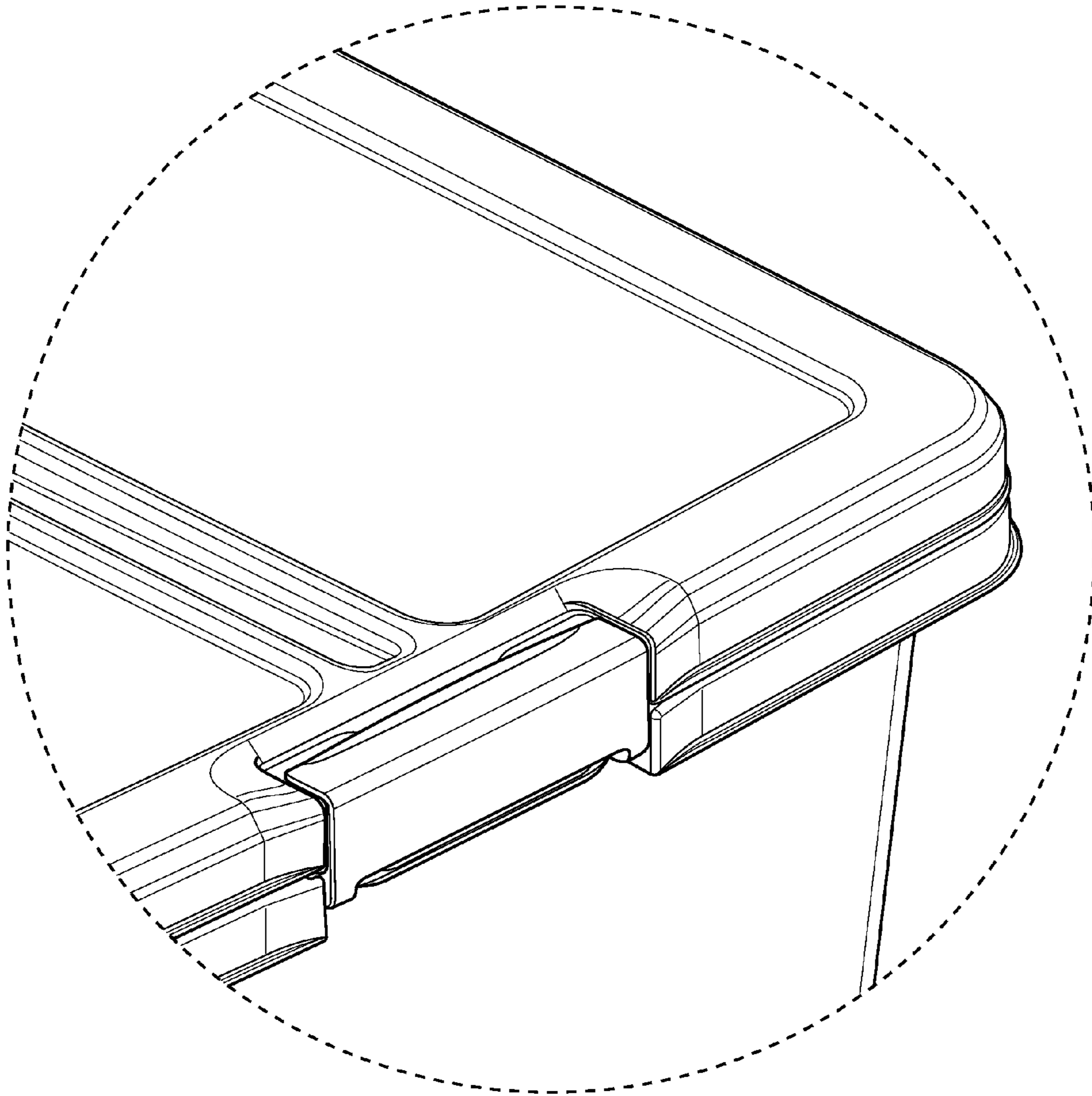


FIG. 2

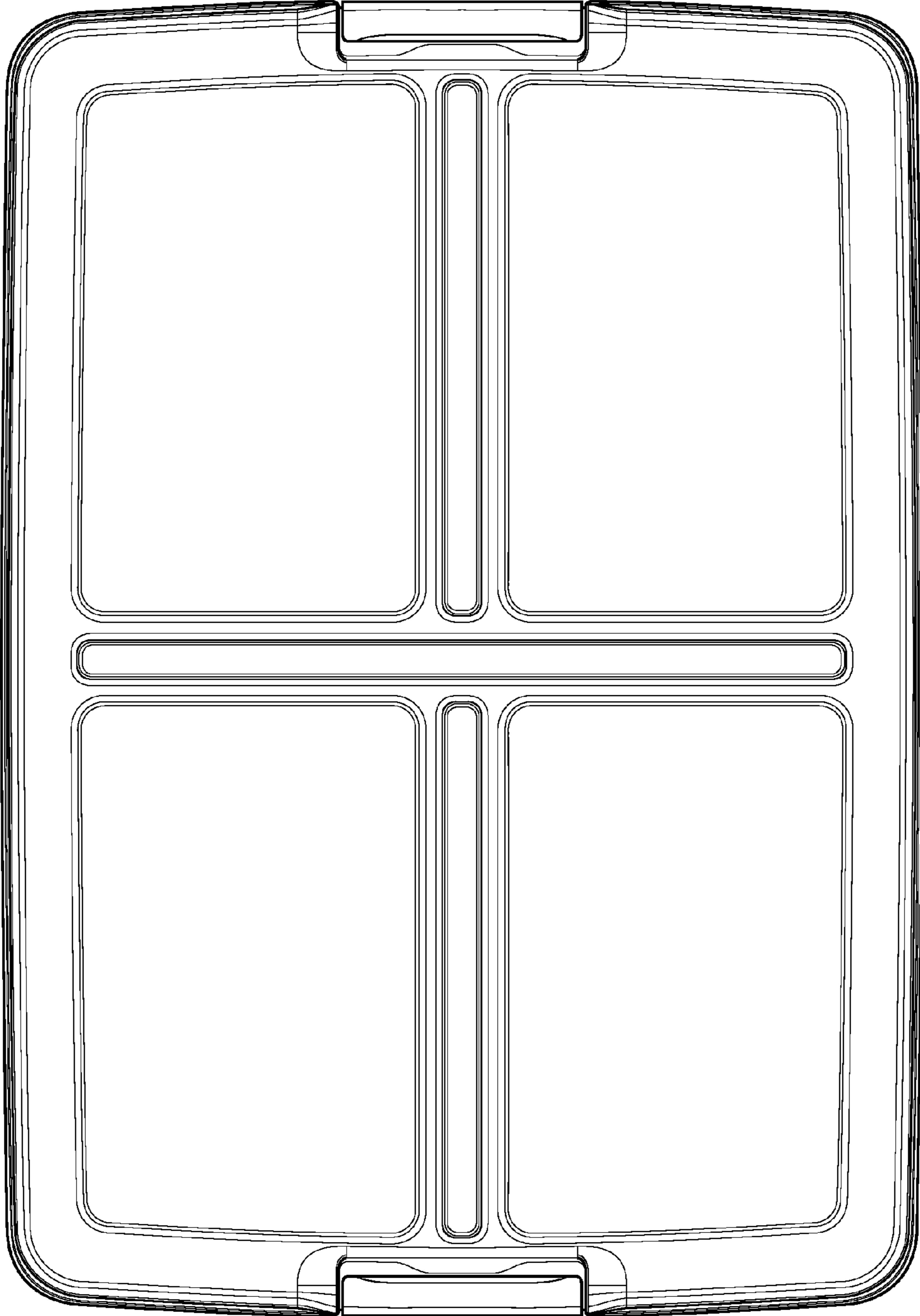


FIG. 3

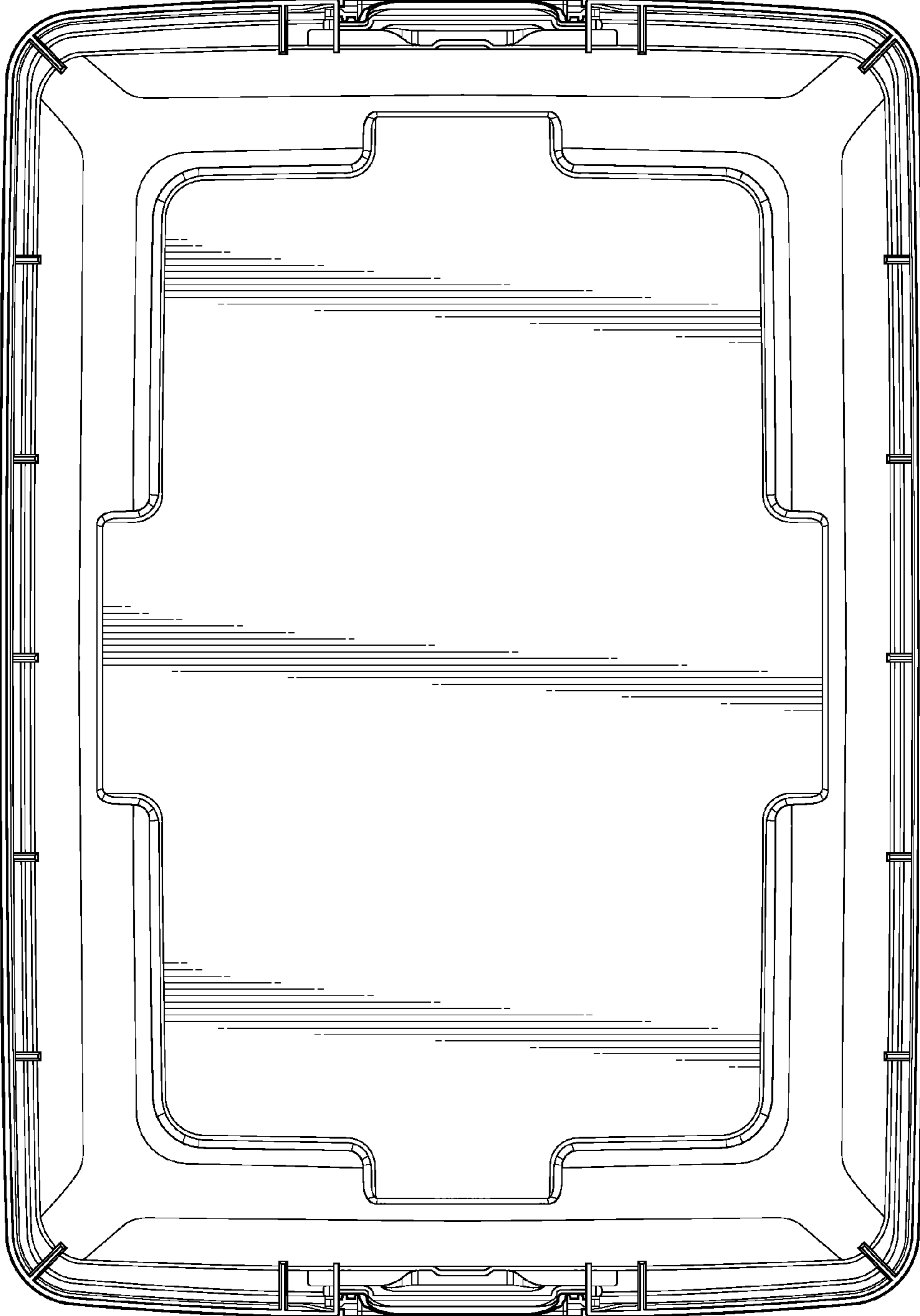


FIG. 4

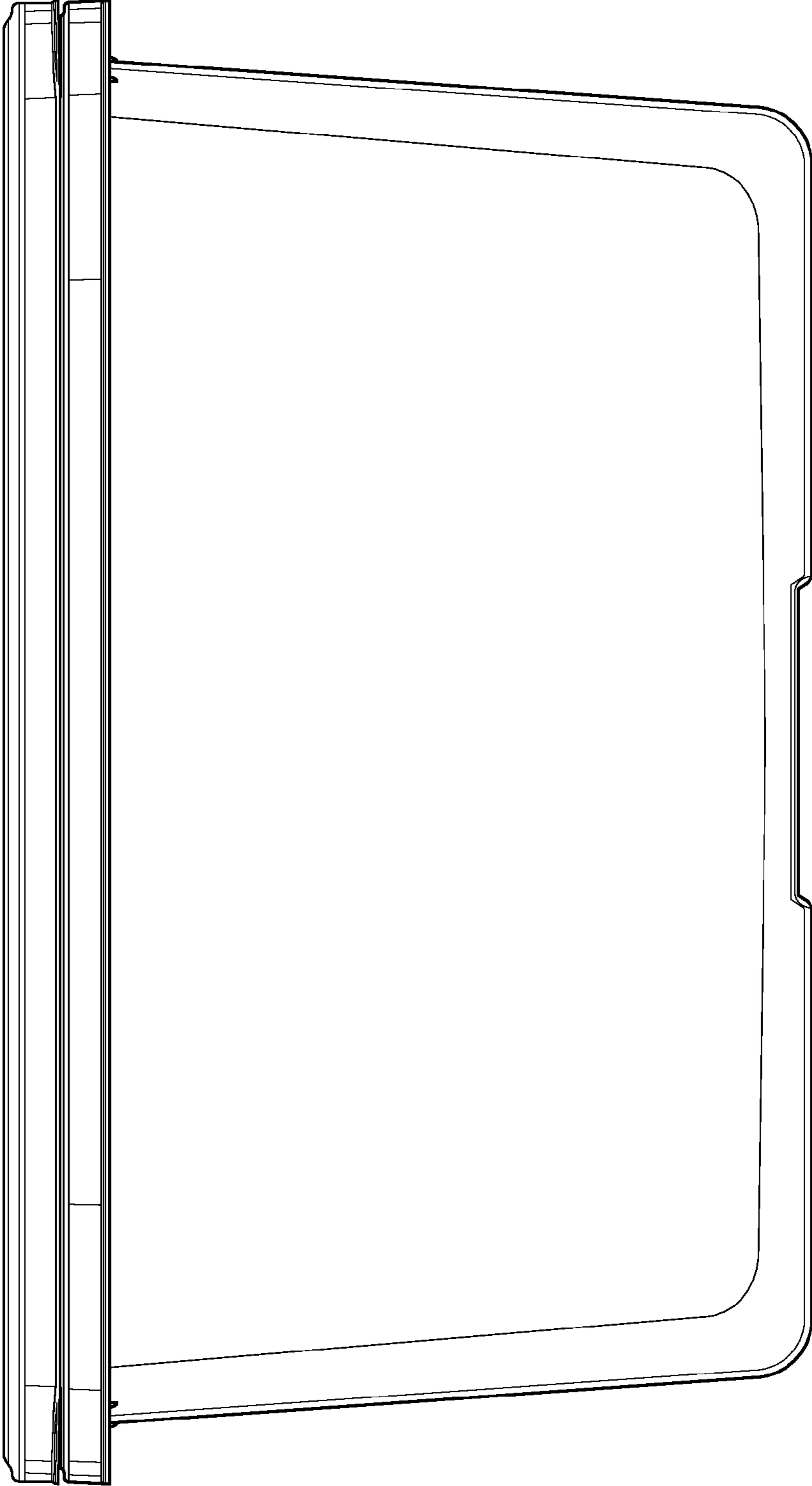


FIG. 5

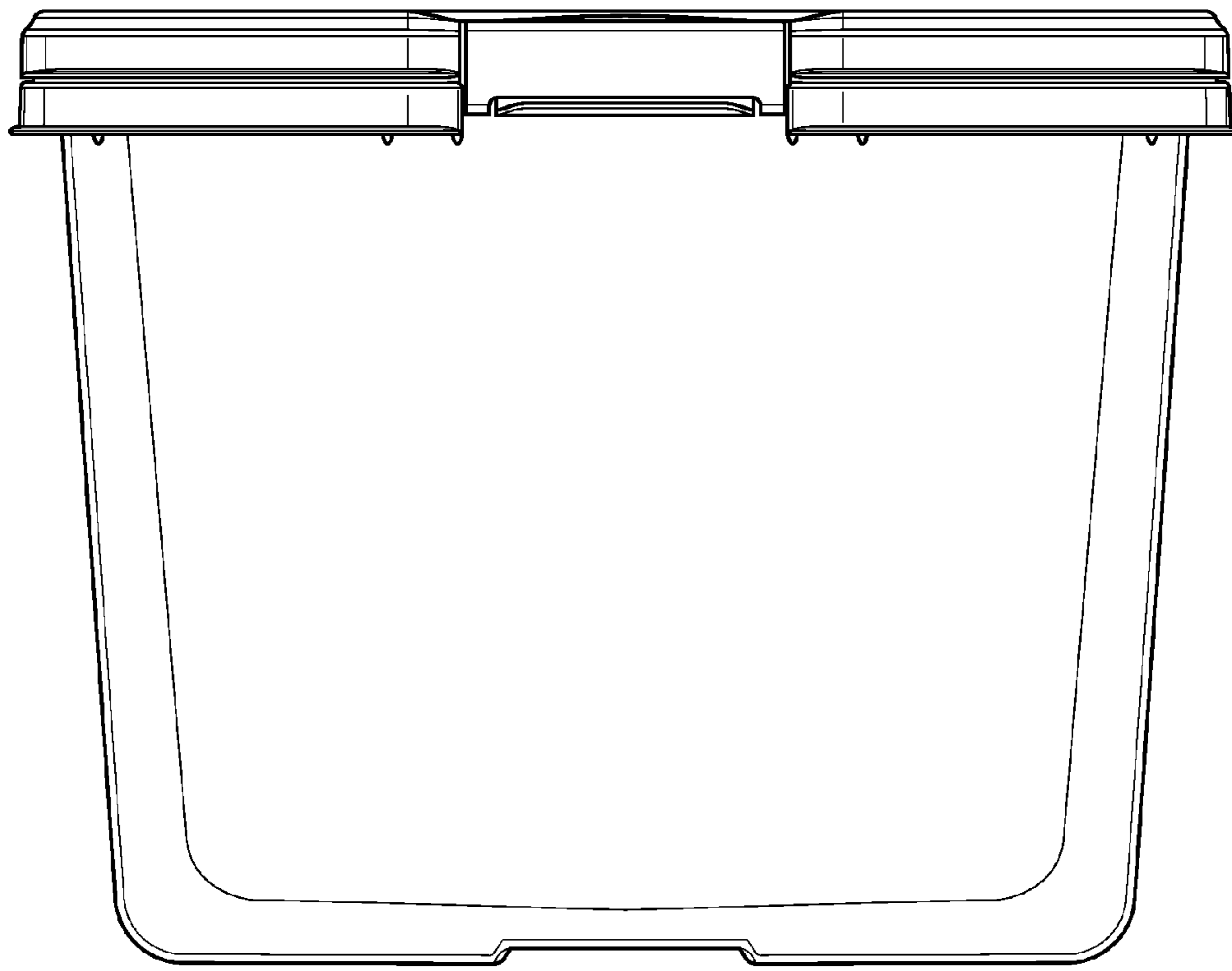


FIG. 6