



US00D643628S

(12) **United States Design Patent**
Monarch

(10) **Patent No.:** **US D643,628 S**

(45) **Date of Patent:** **** Aug. 23, 2011**

(54) **SHOE BOX**

(75) Inventor: **Eliezer Monarch**, Sunnyvale, CA (US)

(73) Assignee: **Eliezer Monarch**, Sunnyvale, CA (US)

(**) Term: **14 Years**

(21) Appl. No.: **29/359,264**

(22) Filed: **Apr. 8, 2010**

(51) **LOC (9) Cl.** **03-01**

(52) **U.S. Cl.** **D3/302**

(58) **Field of Classification Search** D3/272-273,
D3/276, 283, 302; 206/508, 278

See application file for complete search history.

(56) **References Cited**

U.S. PATENT DOCUMENTS

D427,769 S * 7/2000 Zimmerman D3/302
D427,770 S * 7/2000 Conti D3/314
D483,945 S * 12/2003 Tanji D3/302

D489,530 S * 5/2004 Lindsay D3/302
D513,871 S * 1/2006 Rosine et al. D3/273
D606,306 S * 12/2009 Monte D3/273

* cited by examiner

Primary Examiner — Holly Baynham

(74) *Attorney, Agent, or Firm* — D. Kligler I.P. Services Ltd

(57) **CLAIM**

I claim, the ornamental design for a shoe box, as shown and described.

DESCRIPTION

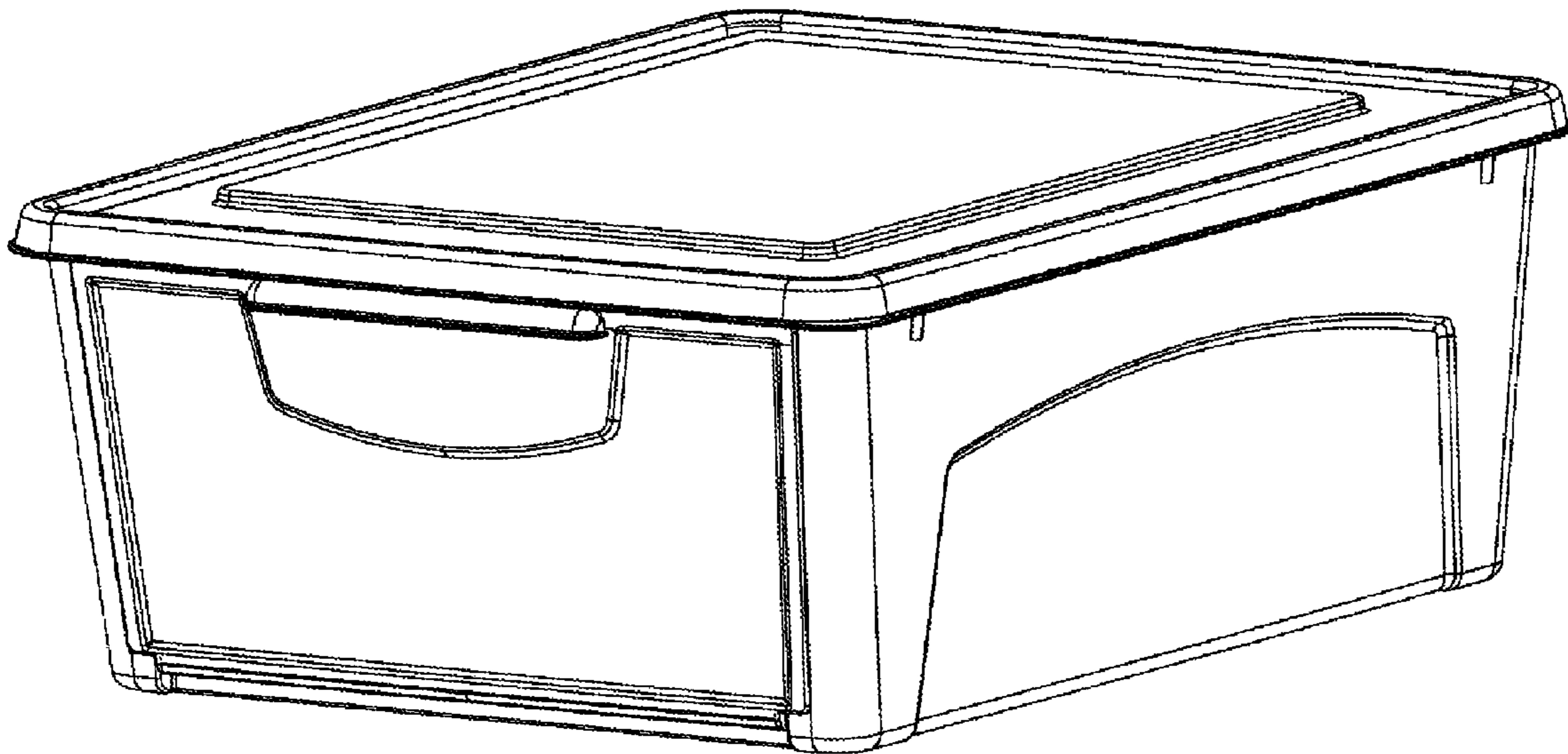
FIG. 1 presents a side view of the shoe box, according my new design;

FIG. 2 presents an end view of the shoe box;

FIG. 3 presents a top view of the shoe box; and,

FIG. 4 presents a perspective view of the shoe box.

1 Claim, 2 Drawing Sheets



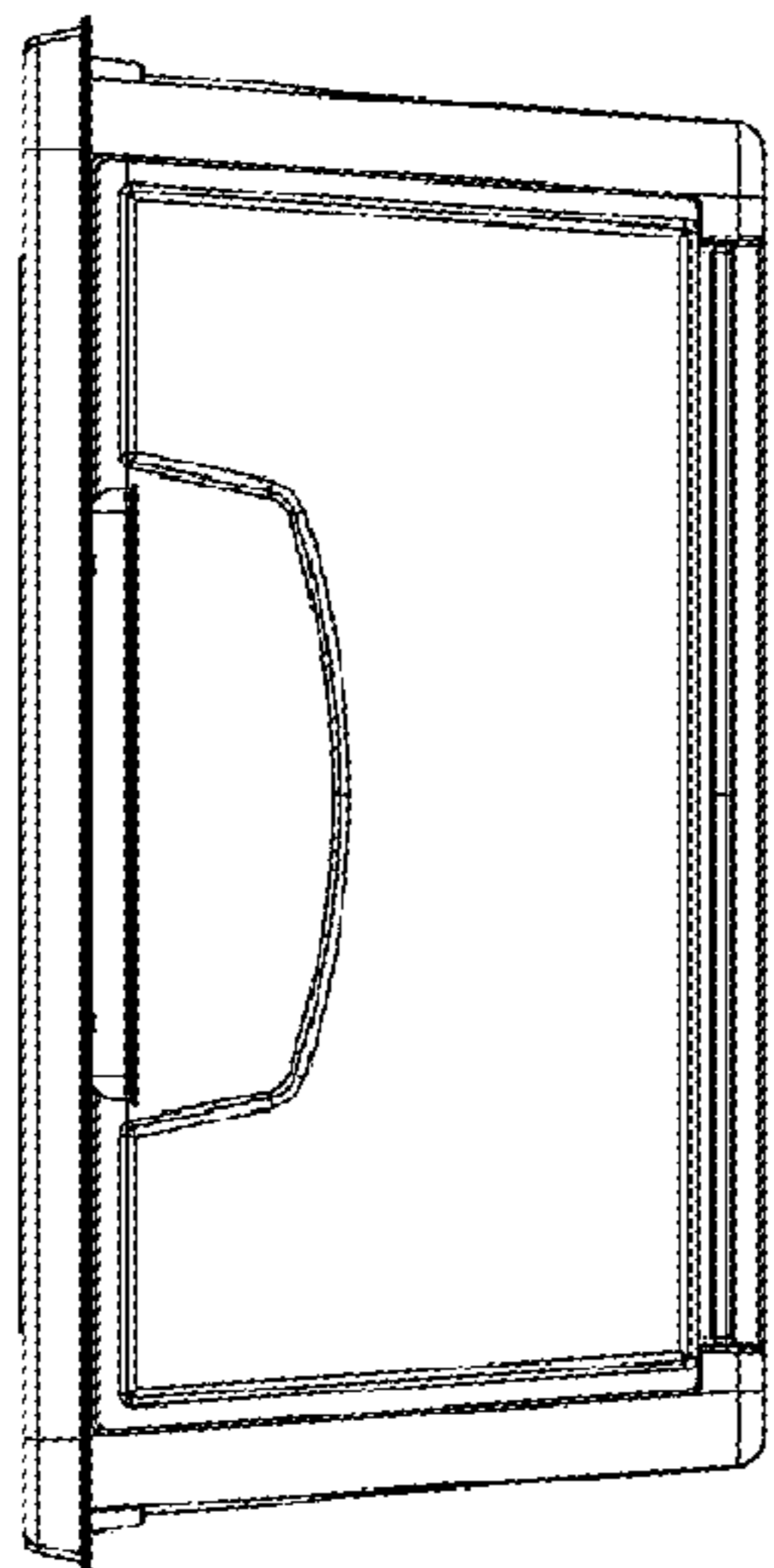


Figure 2

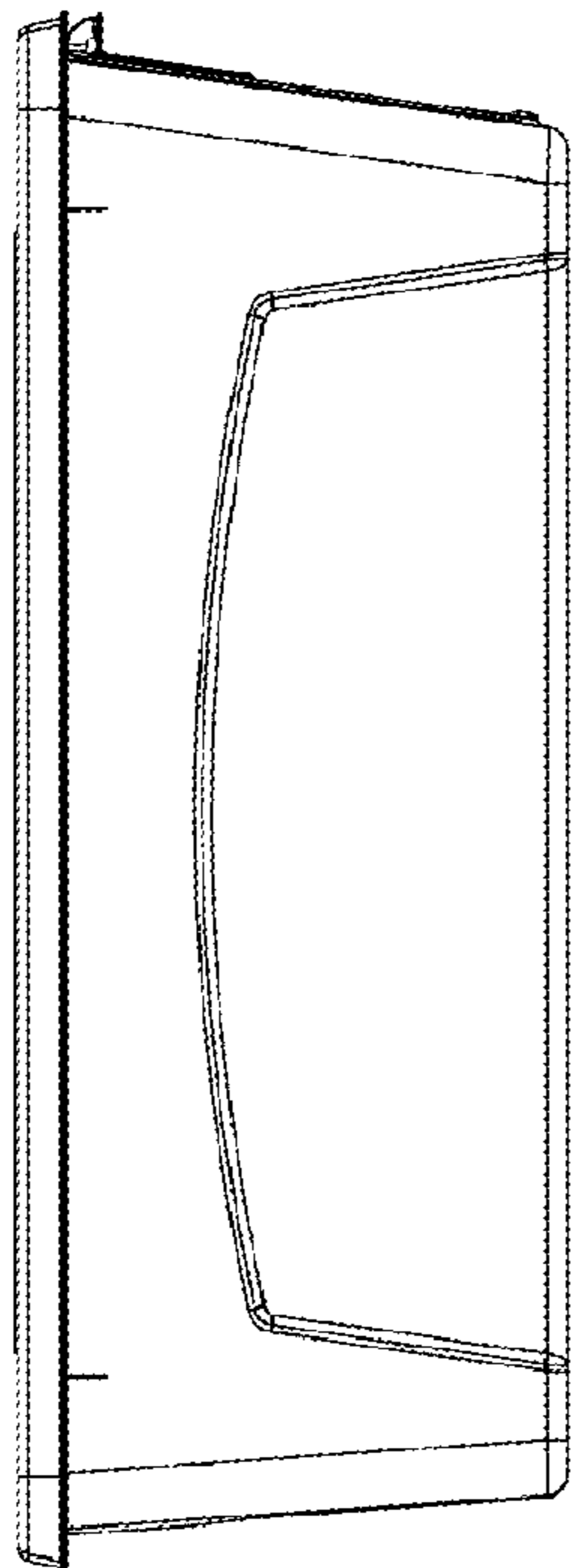


Figure 1

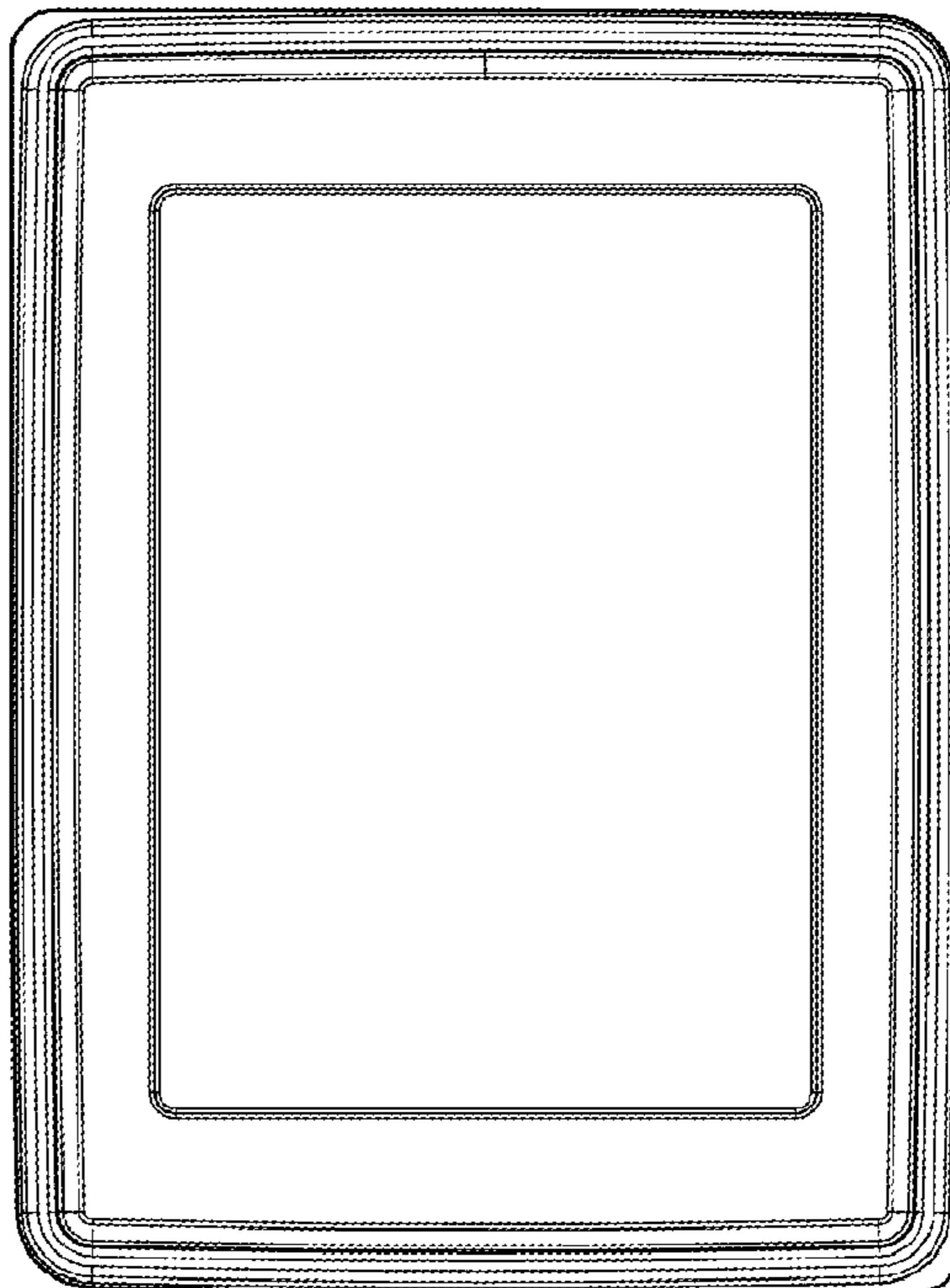


Figure 3

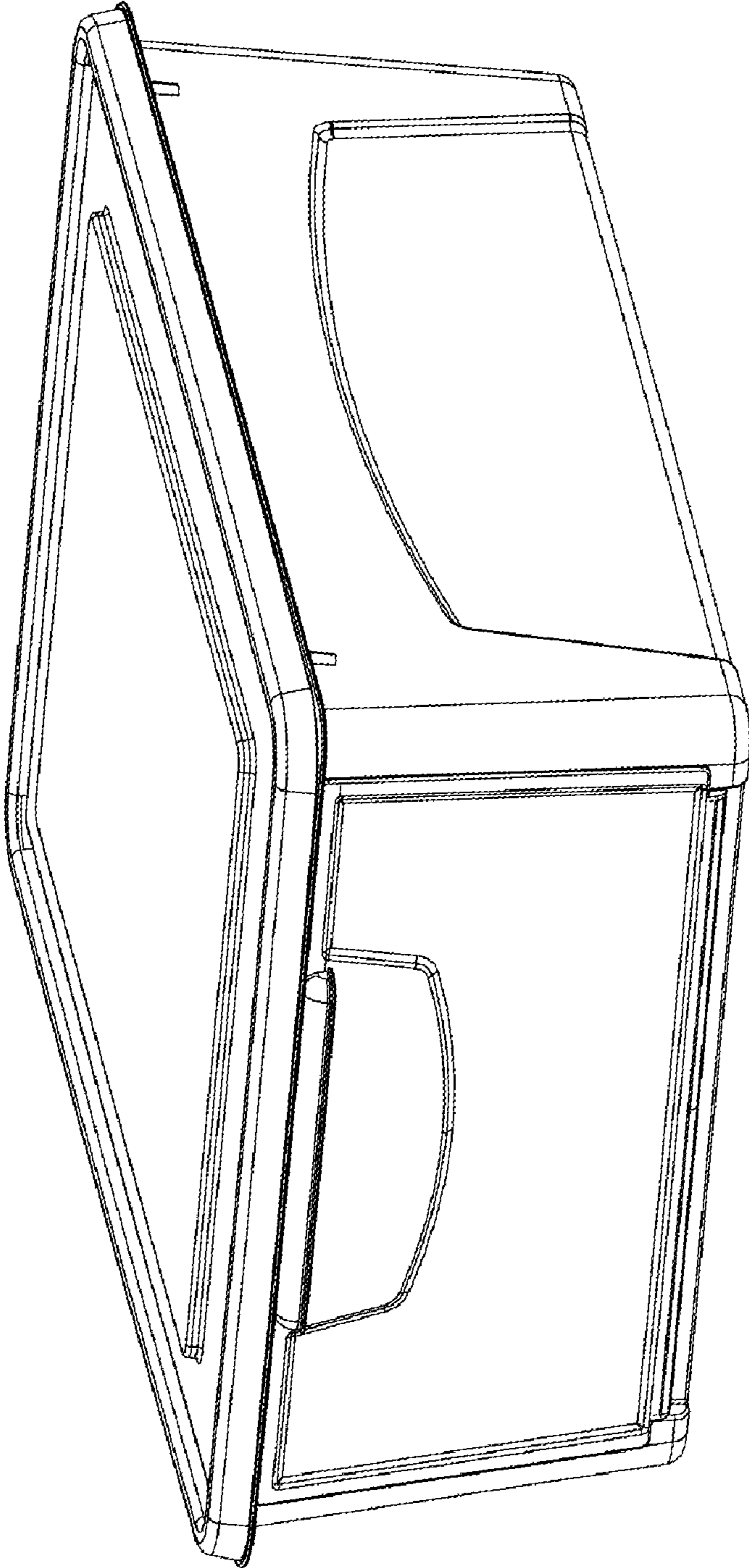


Figure 4