



US00D643624S

(12) **United States Design Patent**
Hong

(10) **Patent No.:** **US D643,624 S**

(45) **Date of Patent:** **** Aug. 23, 2011**

(54) **SUITCASE WITH EASY ACCESS OPENING WITH SECURITY STRAPS**

(76) Inventor: **Jongchul Hong**, Atlanta, GA (US)

(**) Term: **14 Years**

(21) Appl. No.: **29/373,331**

(22) Filed: **Mar. 31, 2011**

Related U.S. Application Data

(62) Division of application No. 29/316,671, filed on Oct. 20, 2009, now Pat. No. Des. 637,811.

(51) **LOC (9) Cl.** **03-01**

(52) **U.S. Cl.** **D3/279; D3/272**

(58) **Field of Classification Search** D3/279, D3/274, 281, 289, 263, 287, 275, 301; 190/110, 190/112, 109, 113, 11, 115; 383/109, 110
See application file for complete search history.

(56) **References Cited**

U.S. PATENT DOCUMENTS

4,861,305	A *	8/1989	Wilson	446/75
D354,166	S *	1/1995	Lin	D3/276
D354,396	S *	1/1995	Lowenstein	D3/276
D375,835	S *	11/1996	Christopher et al.	D3/289
5,649,503	A *	7/1997	Woolfolk	119/700
5,671,831	A *	9/1997	Chiu	190/103
6,062,356	A *	5/2000	Nykoluk	190/18 R
6,076,641	A *	6/2000	Kinzer et al.	190/18 A
D457,314	S *	5/2002	Stephens et al.	D3/289

* cited by examiner

Primary Examiner — Prabhakar Deshmukh

(74) *Attorney, Agent, or Firm* — Harry I. Leon; Vivian L. Steadman

(57) **CLAIM**

The ornamental design for a suitcase with easy access opening with security straps, as shown and described.

DESCRIPTION

FIG. 1 is a top left perspective view of a suitcase with easy access opening showing my new design, with the lid shown in an open position, and with one of the security straps removed for ease of illustration;

FIG. 2 is a front elevational view thereof, with the lid closed and with both of the security straps shown buckled and in position for use;

FIG. 3 is a rear elevational view thereof, with the lid closed and with both of the security straps shown buckled and in position for use;

FIG. 4 is a right side elevational view thereof, with the lid shown in an open position;

FIG. 5 is a left side elevational view thereof, with the lid closed and with both of the security straps shown buckled and in position for use;

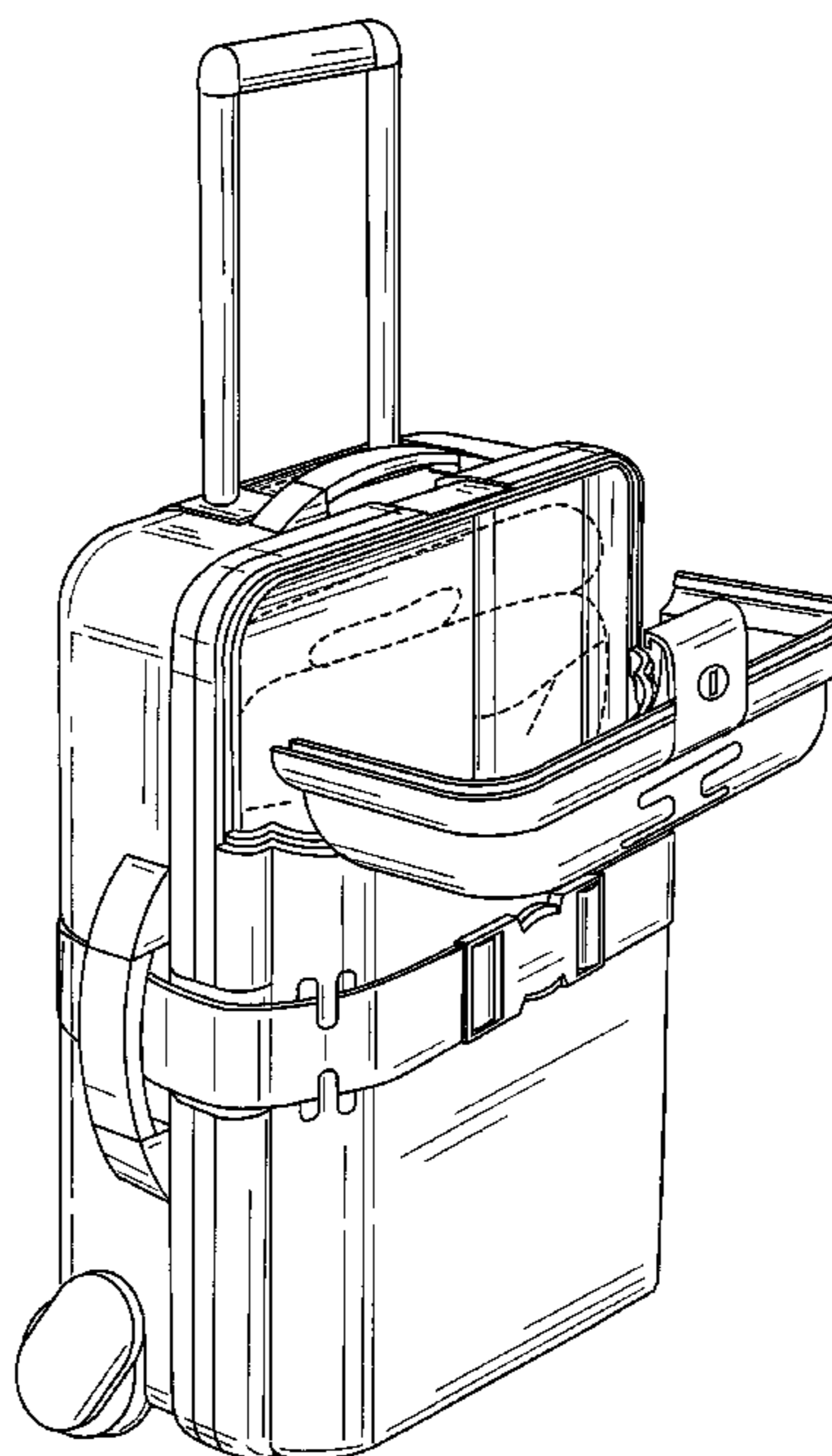
FIG. 6 is a top plan view thereof, with the lid shown in an open position;

FIG. 7 is a top plan view thereof, with the lid closed and with both of the security straps shown buckled and in position for use; and,

FIG. 8 is a bottom plan view thereof, with the lid closed and with both of the security straps shown buckled and in position for use.

Portions of the suitcase shown in broken lines form no part of the claimed design. Likewise, the broken lines environment showing of clothing is for illustrative purposes only and does not form part of the claimed design.

1 Claim, 4 Drawing Sheets



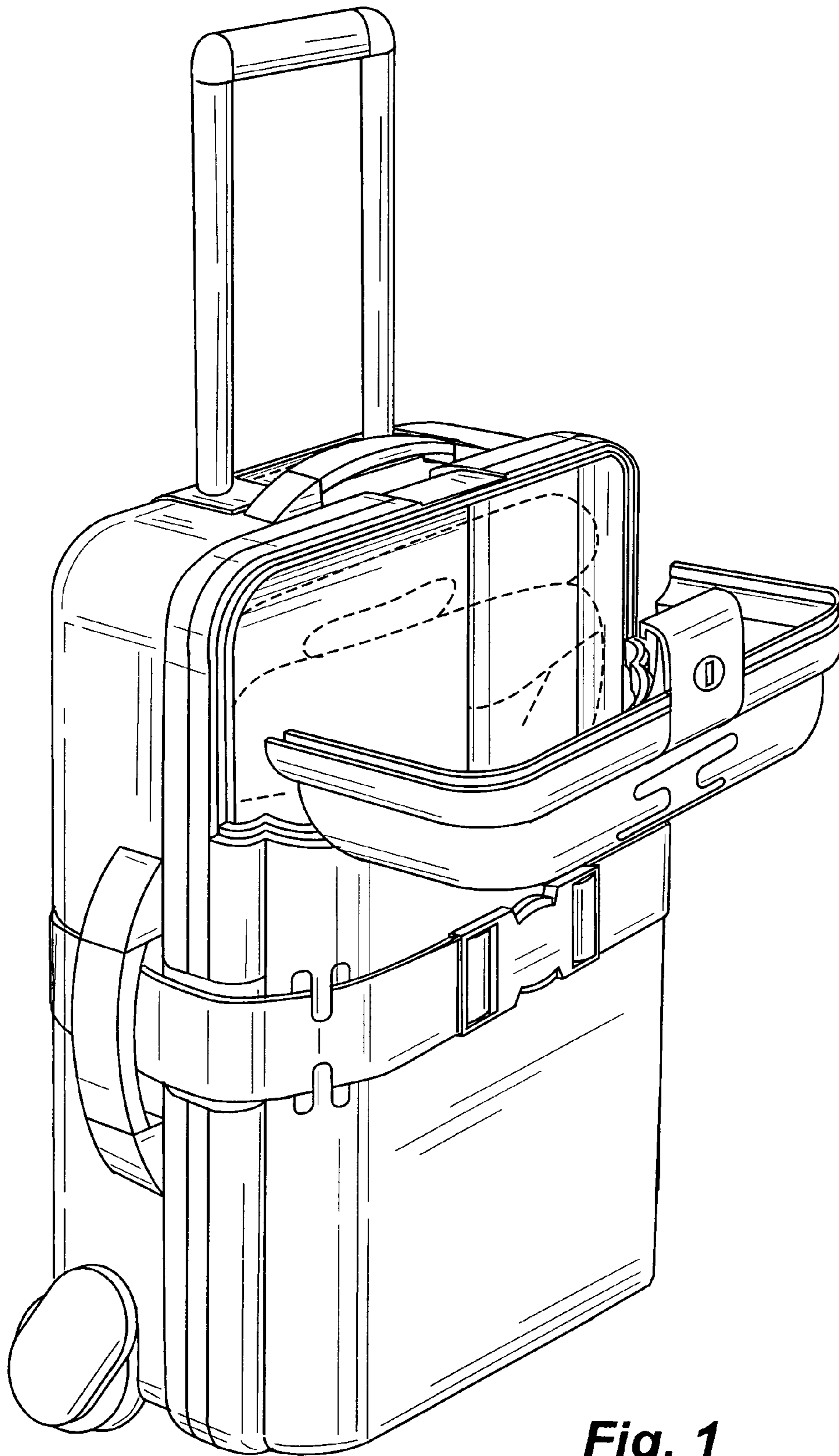


Fig. 1

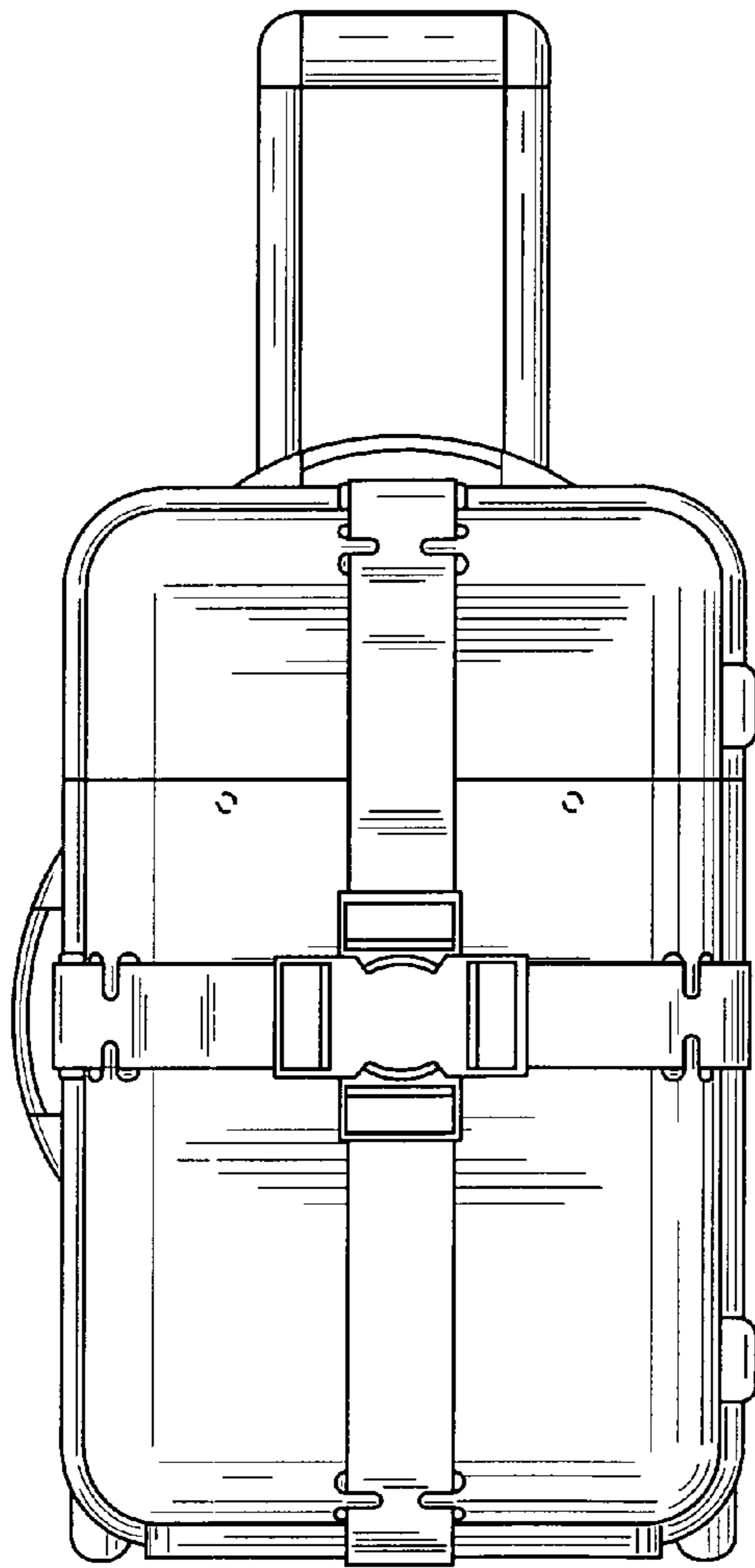


Fig. 2

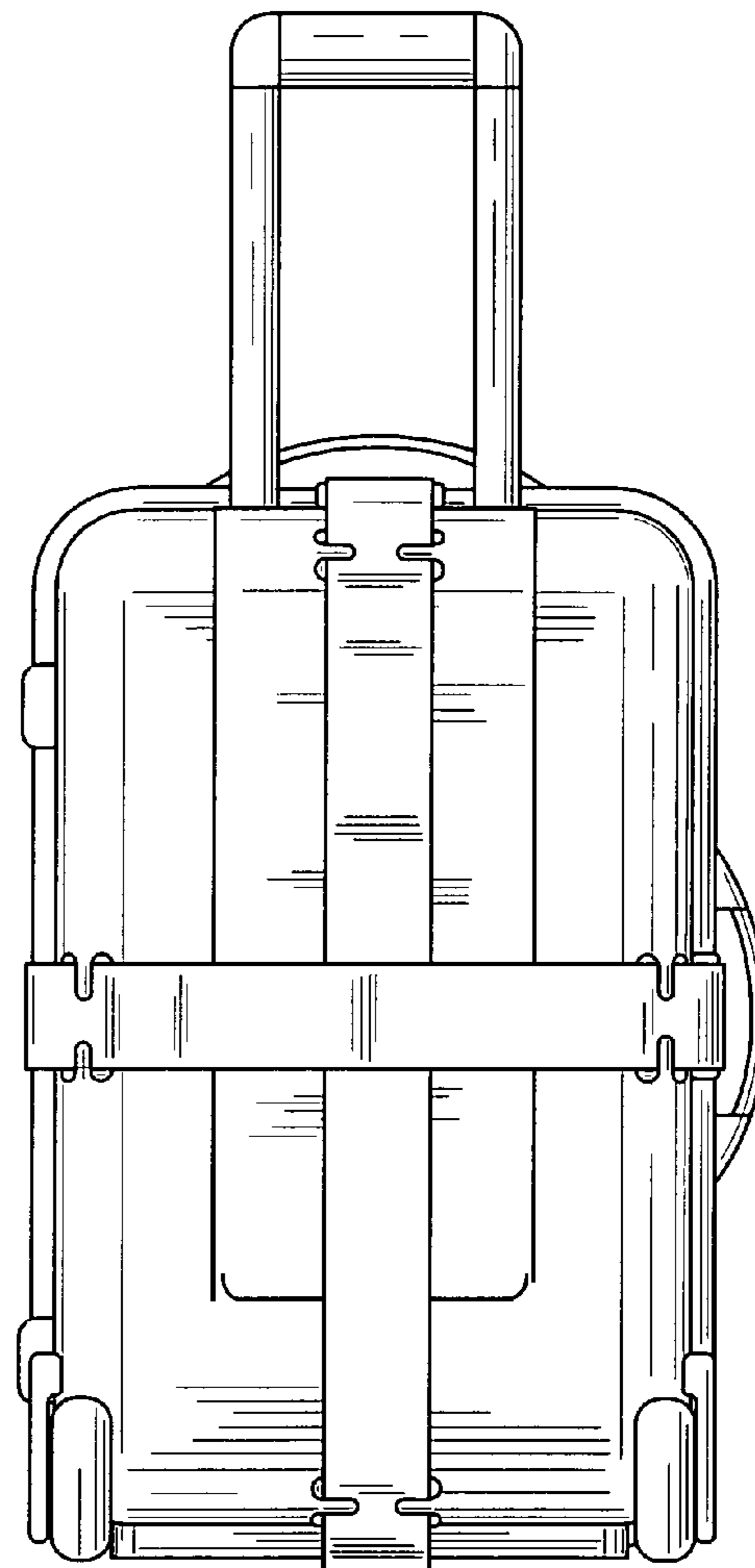


Fig. 3

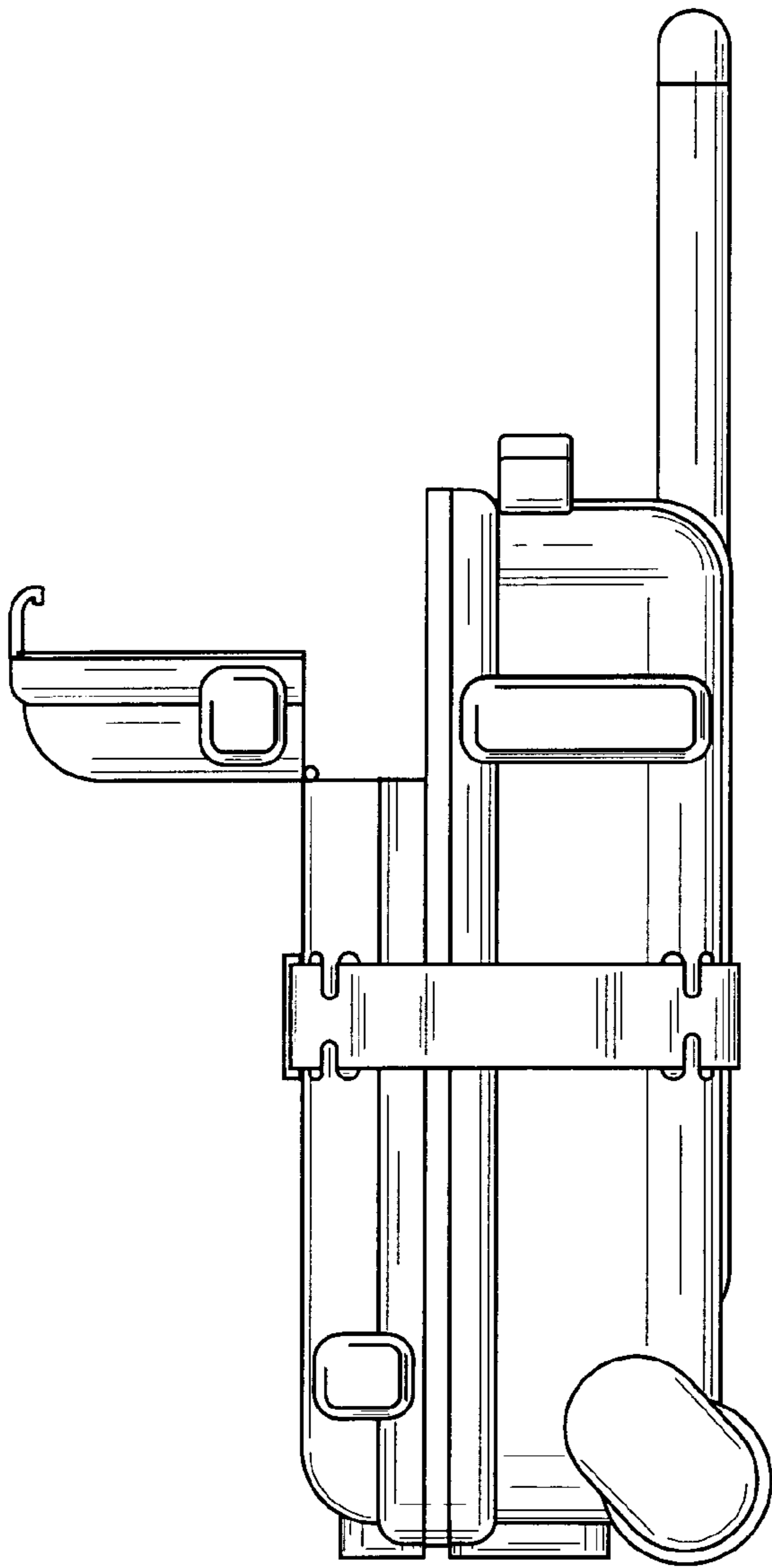


Fig. 4

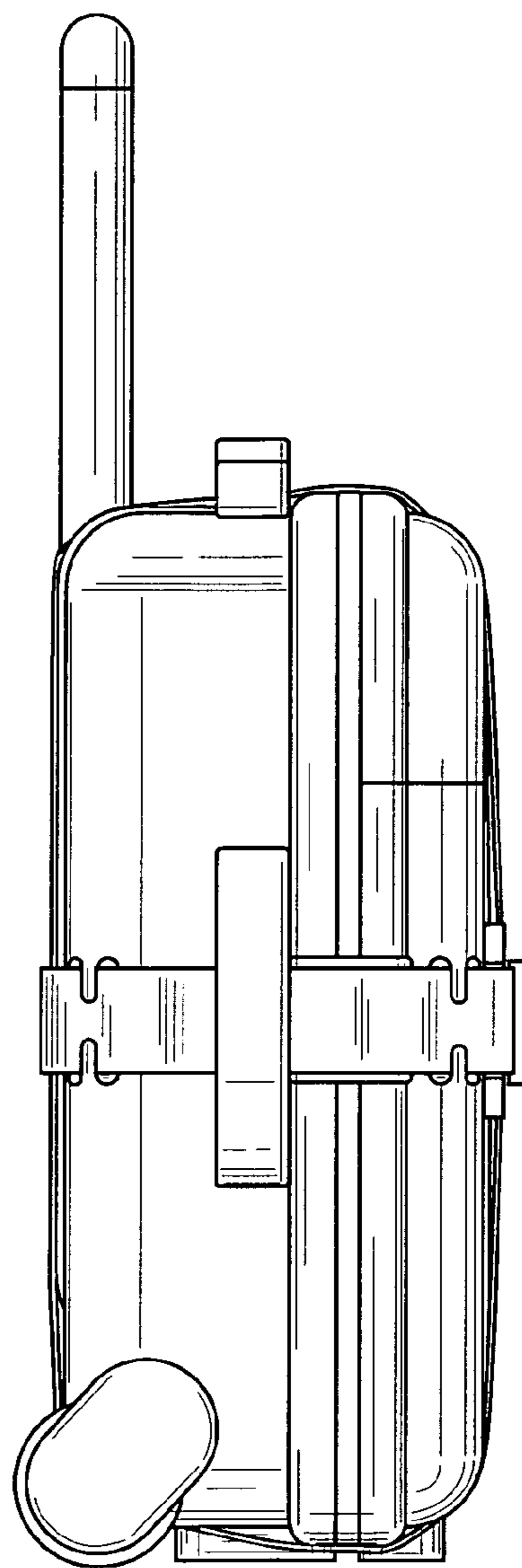


Fig. 5

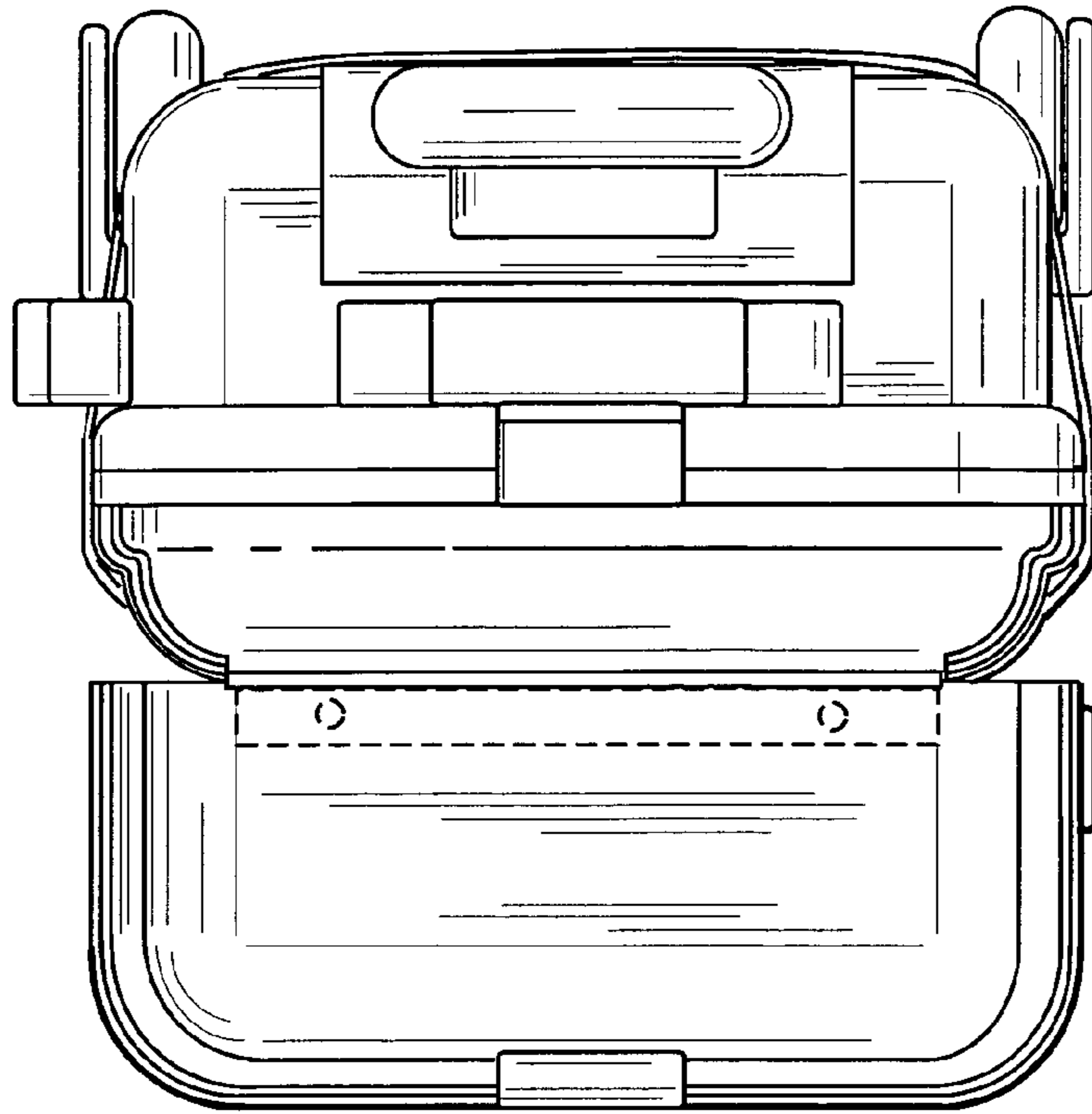


Fig. 6

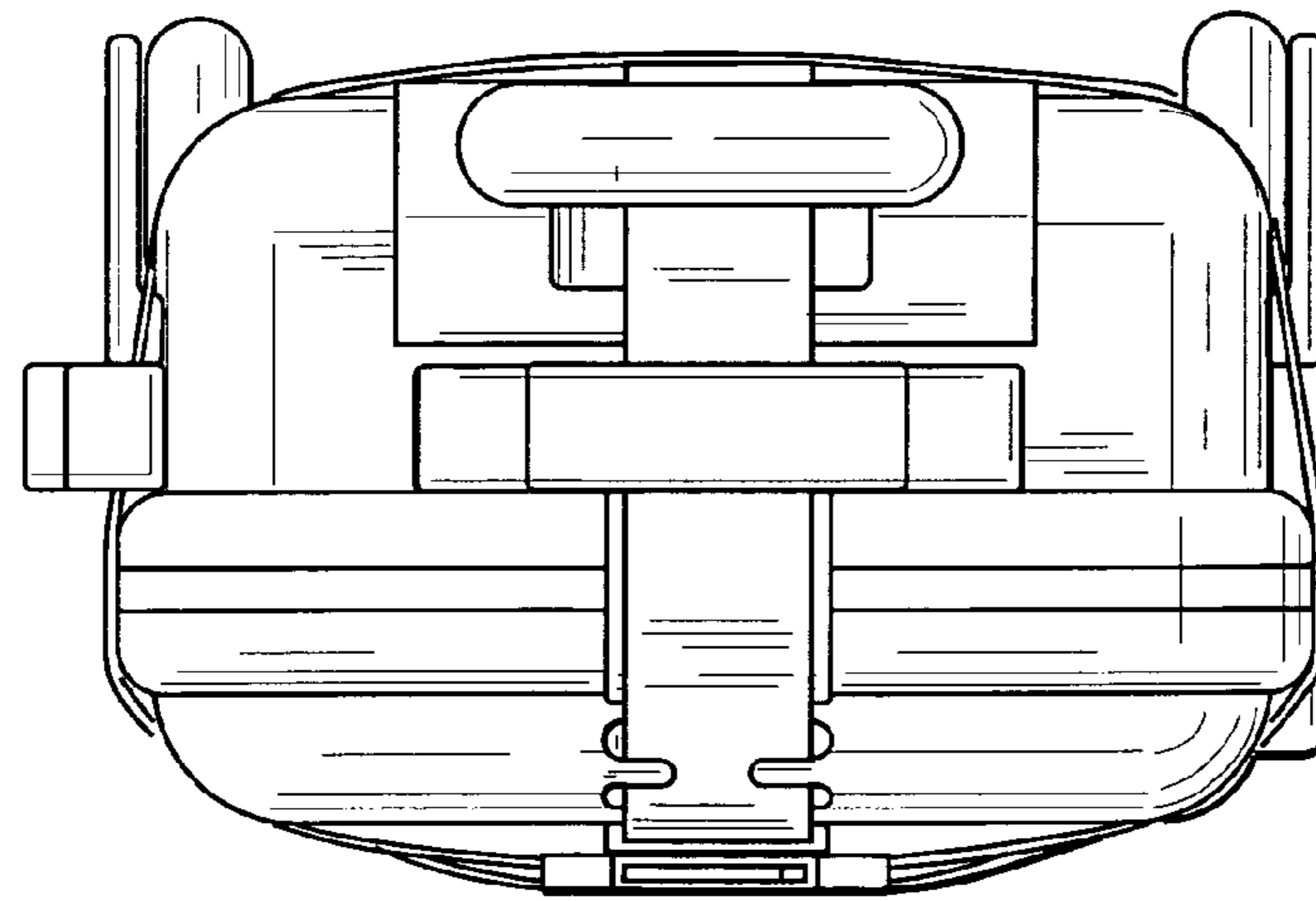


Fig. 7

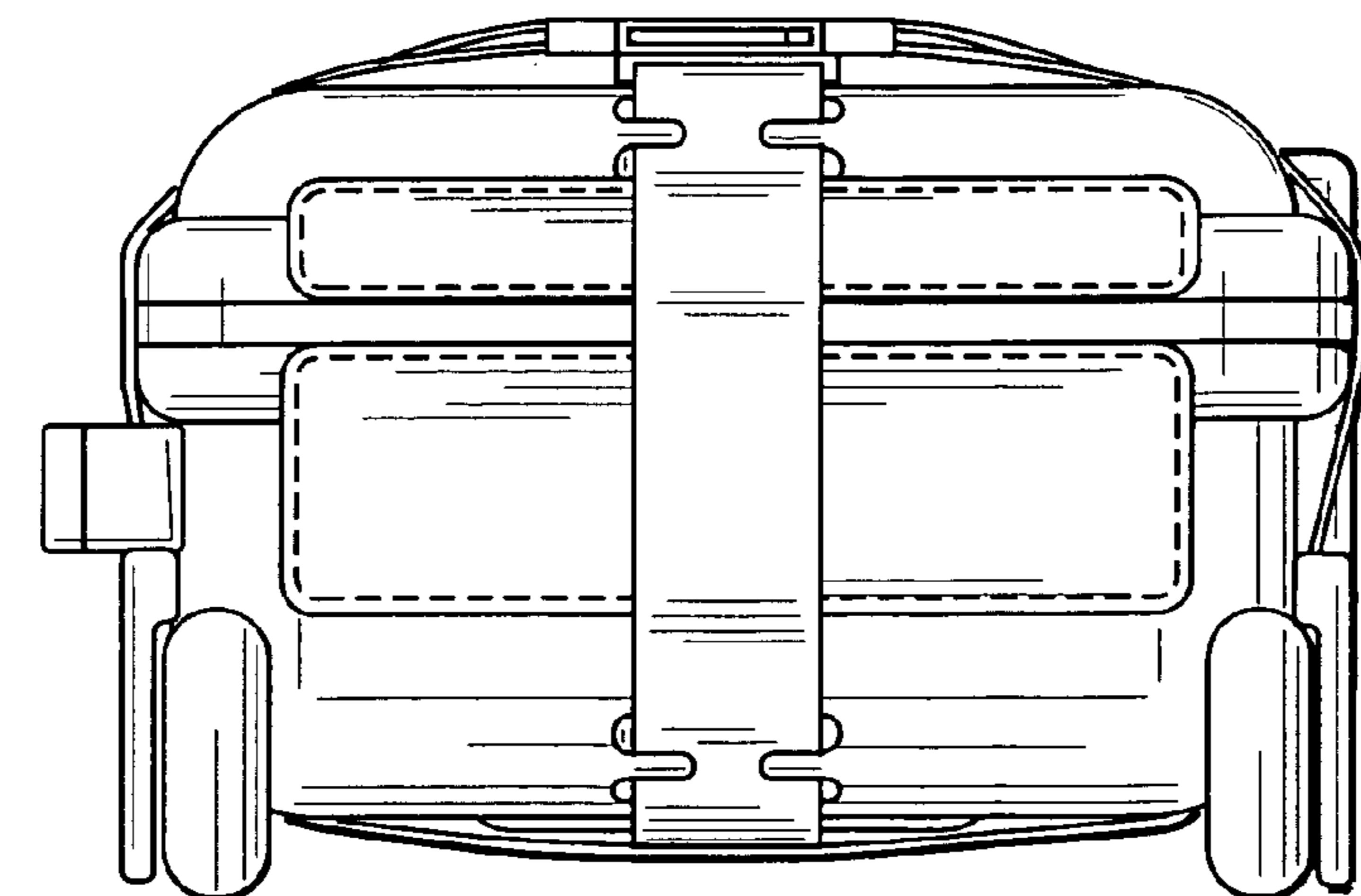


Fig. 8