



US00D643623S

(12) **United States Design Patent**  
**Chin et al.**

(10) **Patent No.:** **US D643,623 S**

(45) **Date of Patent:** **\*\* Aug. 23, 2011**

(54) **TRUNK**

(76) Inventors: **Kar Voon Chin**, San Jose, CA (US);  
**Cho Wai Tse**, San Jose, CA (US)

(\*\*) Term: **14 Years**

(21) Appl. No.: **29/361,473**

(22) Filed: **May 11, 2010**

(51) **LOC (9) Cl.** ..... **03-01**

(52) **U.S. Cl.** ..... **D3/272; D3/276**

(58) **Field of Classification Search** ..... 190/19,  
190/23, 24, 37, 39, 40; 217/57, 56, 17, 5;  
D6/440, 441; D3/272, 273, 276, 277, 281,  
D3/280, 291, 294; 312/100

See application file for complete search history.

D415,614 S 10/1999 Akaike  
D419,766 S 2/2000 Rekuc  
D497,252 S \* 10/2004 Perella et al. .... D3/294  
D529,287 S 10/2006 Perella  
D579,658 S 11/2008 Weng  
D580,171 S 11/2008 Weng  
D596,399 S 7/2009 Decarlo  
D625,517 S \* 10/2010 Rossi et al. .... D3/272

\* cited by examiner

*Primary Examiner* — Jennifer Rivard

(74) *Attorney, Agent, or Firm* — QuickPatents, Inc.; Kevin Prince

(57) **CLAIM**

What is claimed is the ornamental design for a trunk, as shown and described.

**DESCRIPTION**

FIG. 1 is a perspective view of a trunk, showing the new design;

FIG. 2 is a front elevational view thereof;

FIG. 3 is a rear elevational view thereof;

FIG. 4 is a left-side elevational view thereof, the right-side elevational view being a mirror image thereof; and,

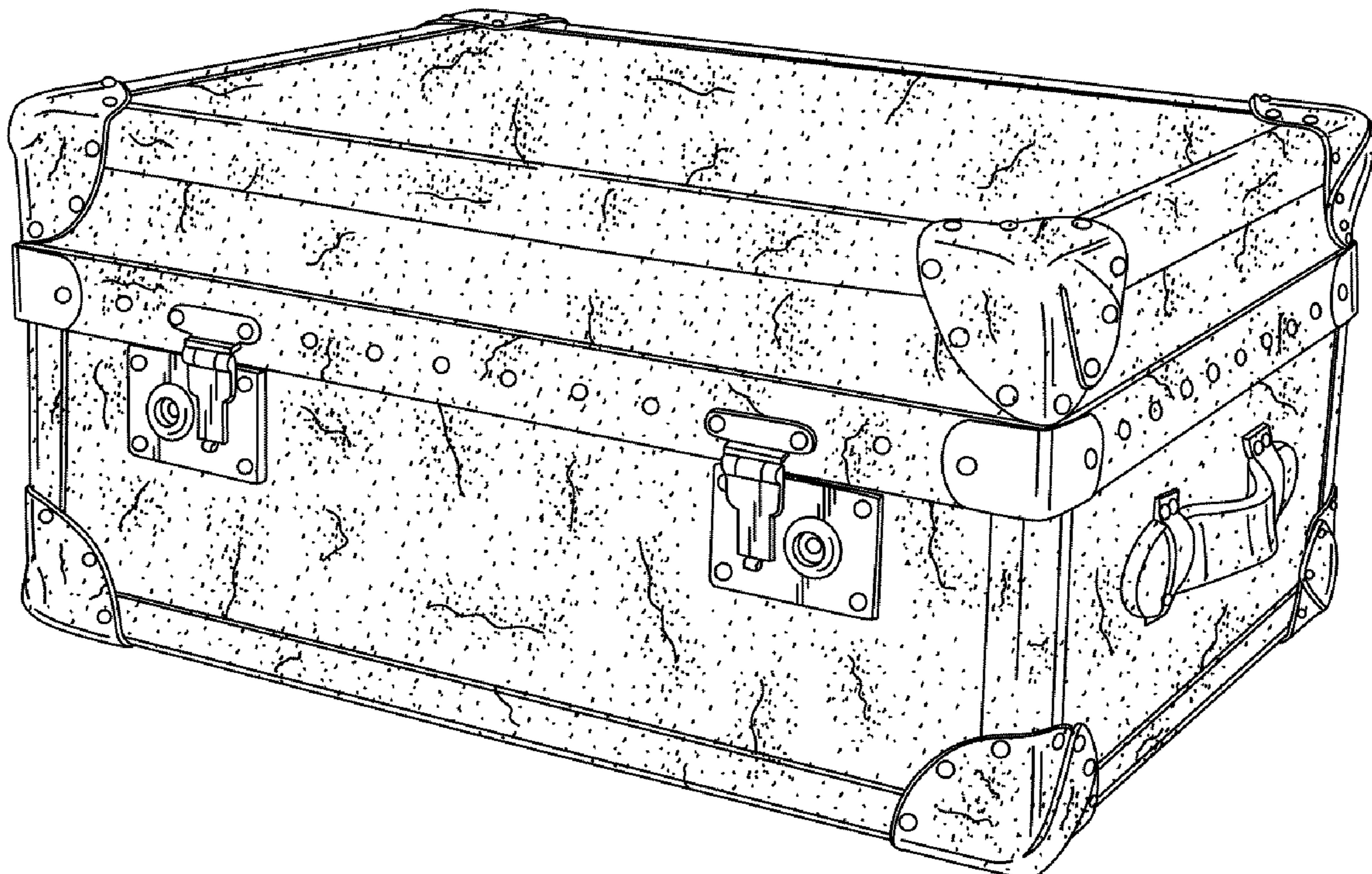
FIG. 5 is a top plan view thereof, the bottom plan view being a mirror image thereof.

**1 Claim, 3 Drawing Sheets**

(56) **References Cited**

**U.S. PATENT DOCUMENTS**

D181,738 S 8/1876 Soule  
D18,875 S 1/1889 Carpeles  
D544,070 S 8/1895 Phelan  
836,227 A \* 11/1906 Walker et al. .... 190/37  
D67,835 S 7/1925 Hamilton  
D67,941 S 8/1925 Bartlett  
D70,897 S 8/1926 Purchas  
2,626,025 A \* 1/1953 Sherman ..... 190/37  
D247,993 S \* 5/1978 Calzone, III ..... D3/204  
D351,502 S 10/1994 Weir



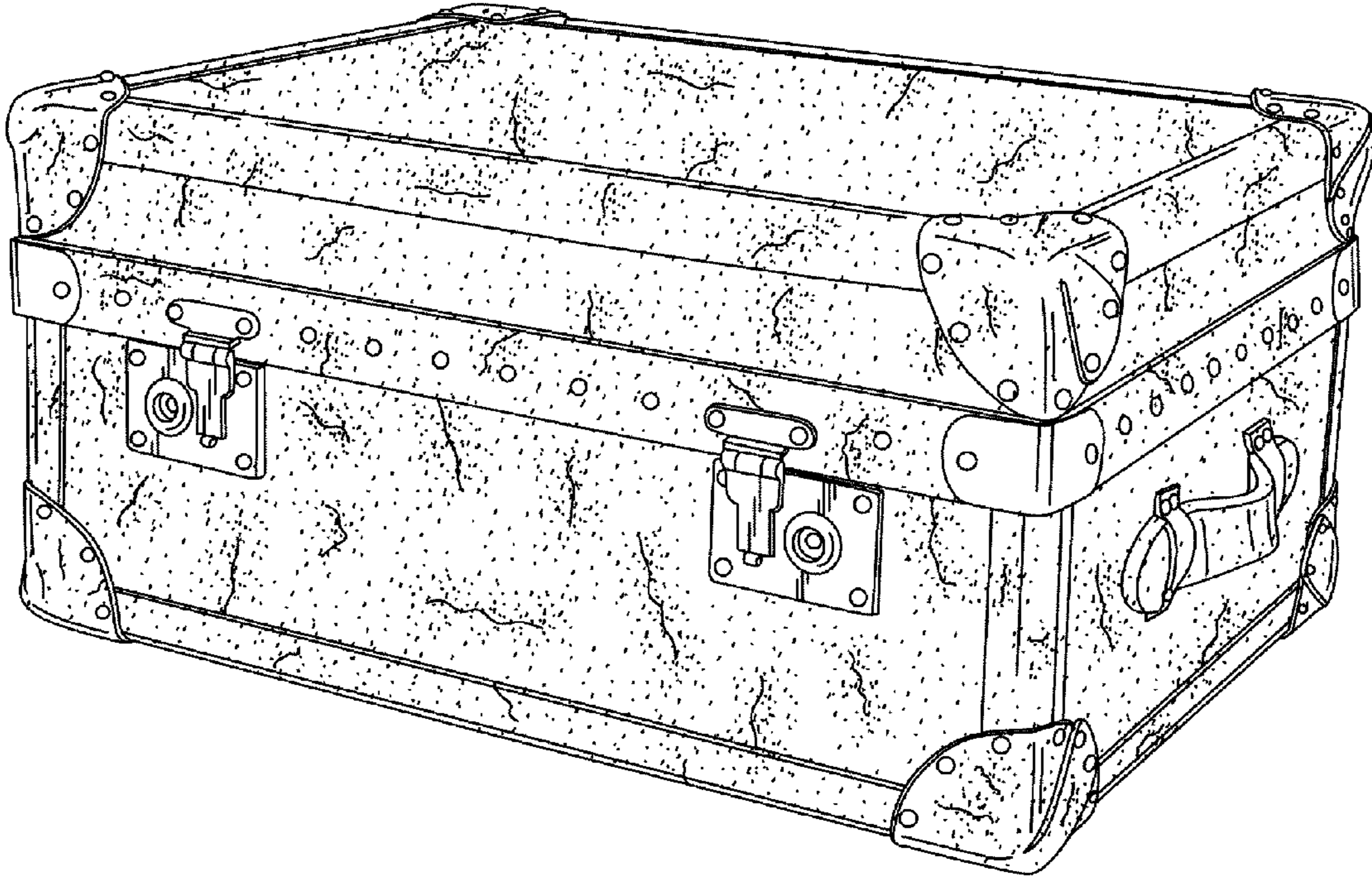


FIG. 1

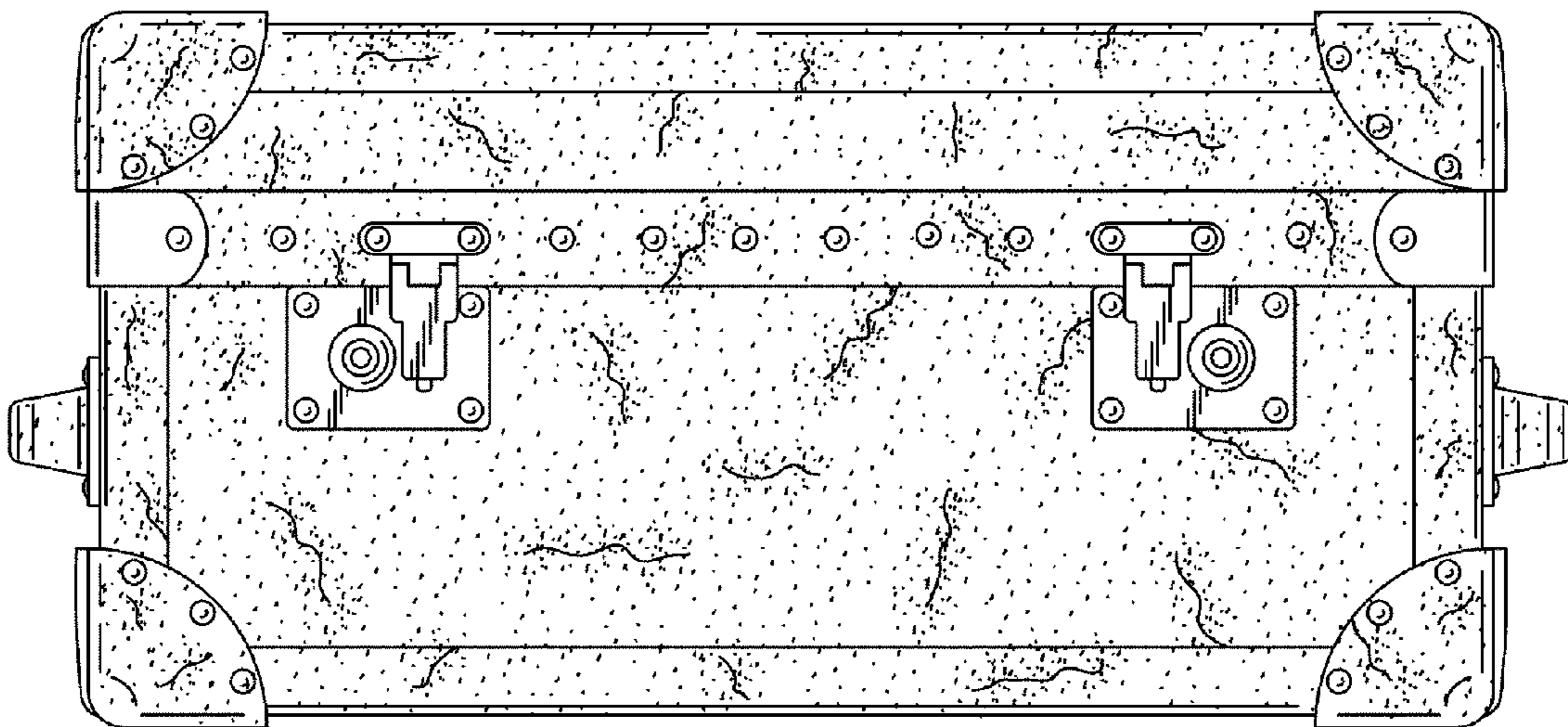


FIG. 2



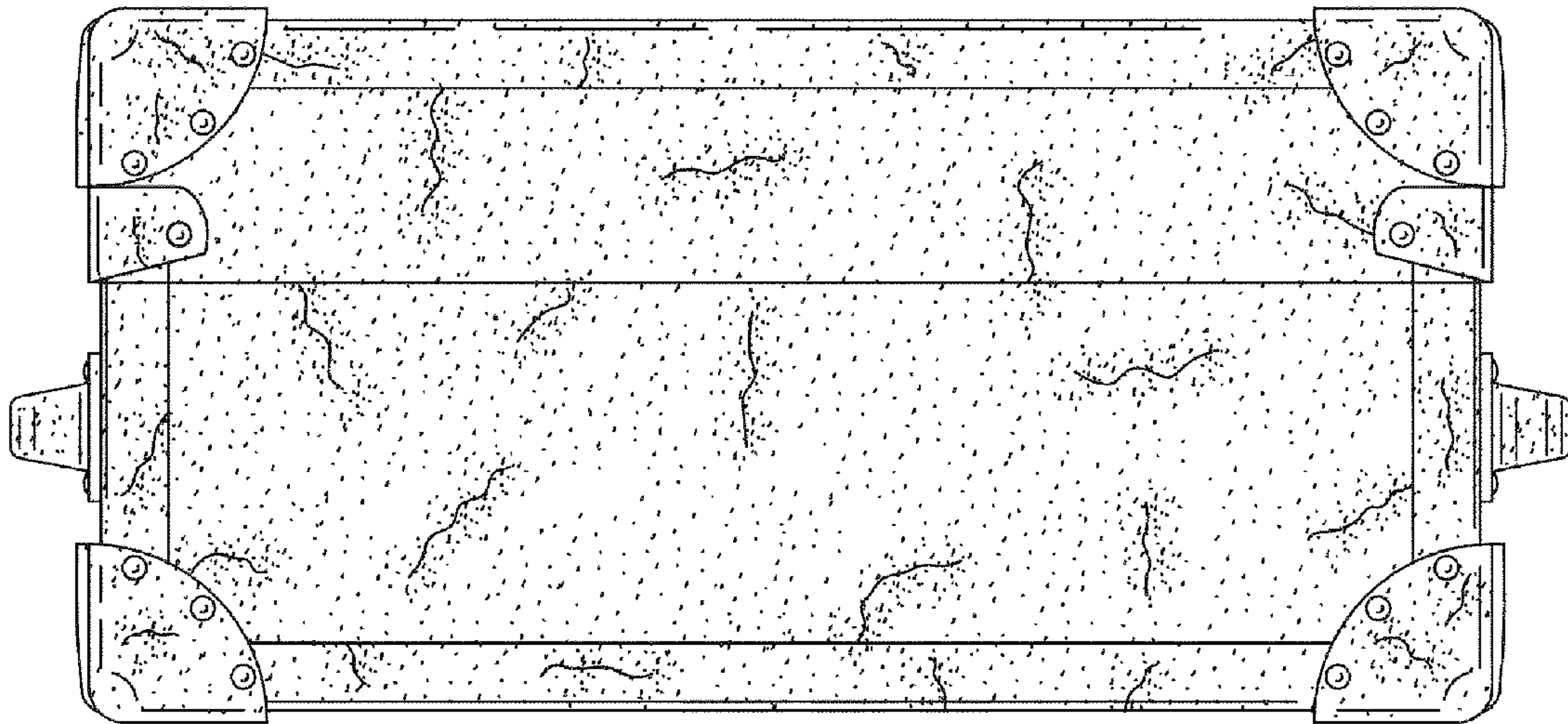


FIG. 3

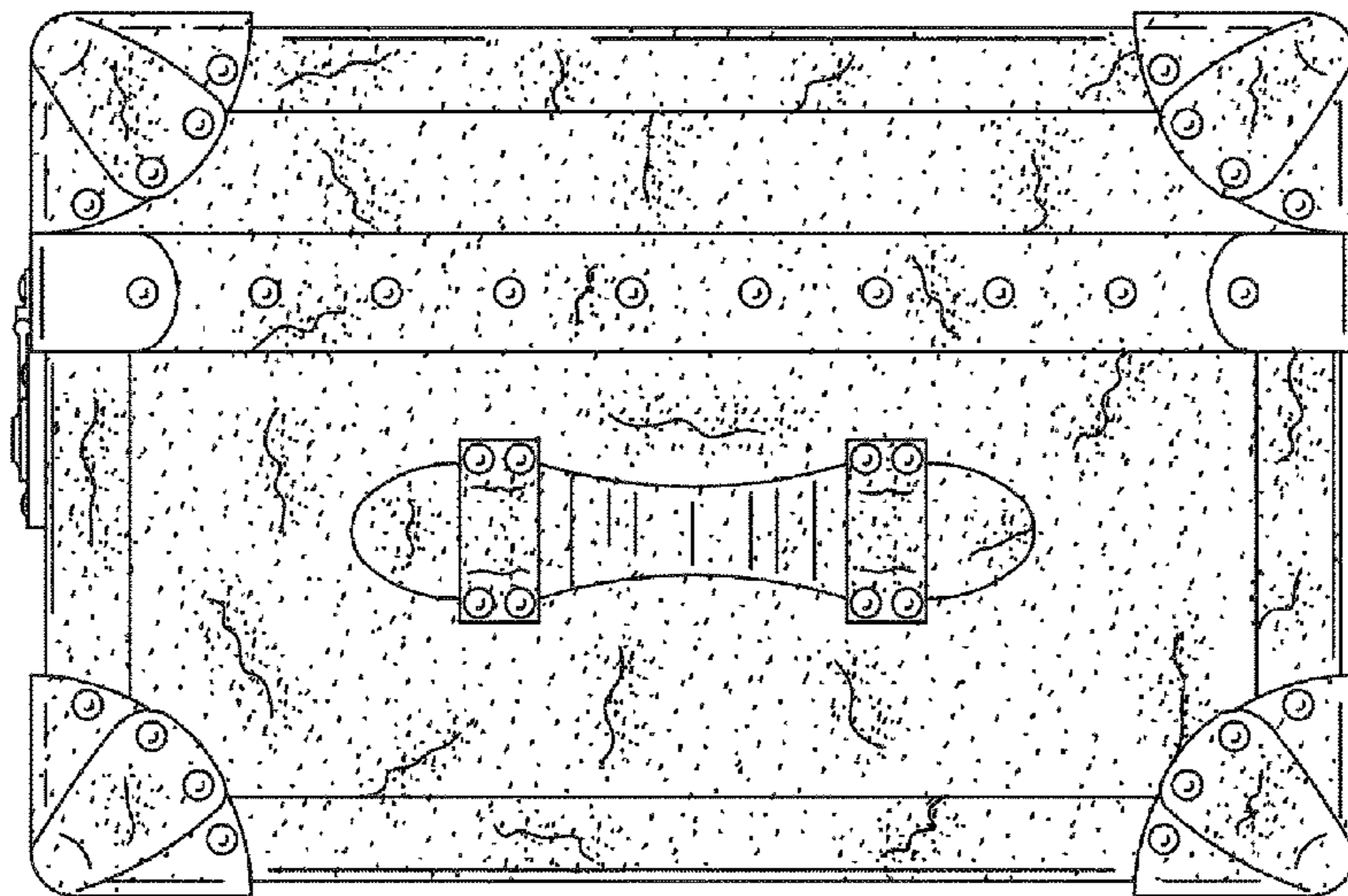


FIG. 4

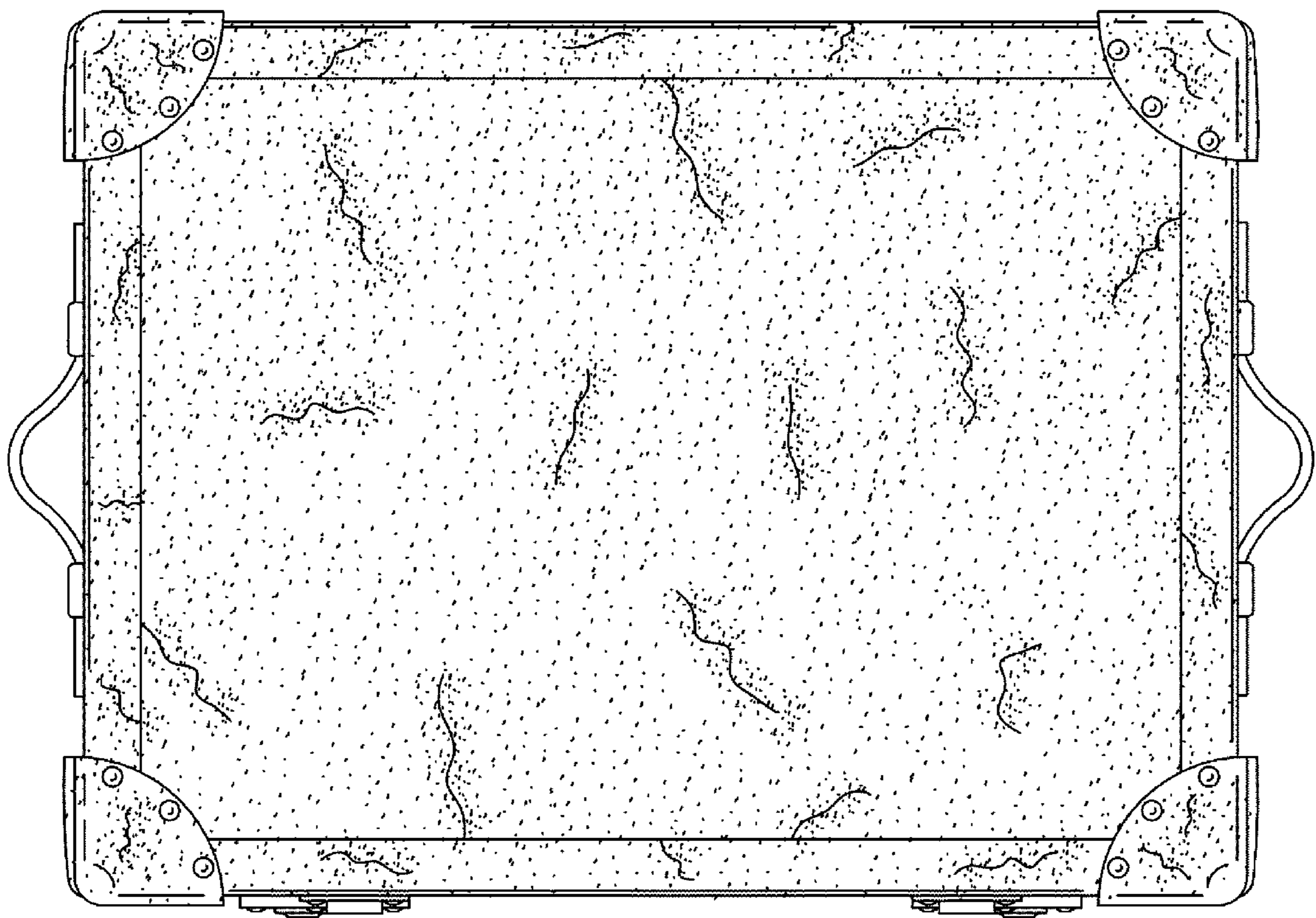


FIG. 5