



US00D643607S

(12) **United States Design Patent**
Teteriatnikov

(10) **Patent No.:** **US D643,607 S**

(45) **Date of Patent:** **** Aug. 23, 2011**

(54) **SHOE BOTTOM**

(75) **Inventor:** **Savva Teteriatnikov**, Marina del Rey,
CA (US)

(73) **Assignee:** **SKECHERS U.S.A., Inc. II**, Manhattan
Beach, CA (US)

(**) **Term:** **14 Years**

(21) **Appl. No.:** **29/388,849**

(22) **Filed:** **Apr. 2, 2011**

(51) **LOC (9) Cl.** **02-04**

(52) **U.S. Cl.** **D2/954; D2/951**

(58) **Field of Classification Search** D2/902,
D2/906, 908, 916, 918, 925, 946-962, 977;
36/3 B, 22 R, 24.5, 25 R, 28, 32 R, 34 R,
36/59 C, 67 A, 103

See application file for complete search history.

(56) **References Cited**

U.S. PATENT DOCUMENTS

33,051 A *	8/1861	Port	12/133 R
4,096,649 A *	6/1978	Saurwein	36/32 R
D267,288 S *	12/1982	Davis	D2/951
D267,366 S *	12/1982	Davis	D2/951
4,494,320 A *	1/1985	Davis	36/25 R
D282,123 S *	1/1986	Davis	D2/959
D326,181 S *	5/1992	Katz et al.	D2/960
5,435,078 A *	7/1995	Pyle	36/30 R
D390,690 S	2/1998	Murai et al.	
D405,597 S *	2/1999	Carlson	D2/960
D423,765 S *	5/2000	Autry	D2/961
D436,247 S	1/2001	Burt	
D456,982 S	5/2002	Rogers	
D459,064 S	6/2002	McClaskie	
D481,526 S *	11/2003	Matis et al.	D2/953
D482,851 S *	12/2003	McClaskie	D2/956
D495,477 S *	9/2004	McClaskie	D2/956
D498,041 S *	11/2004	McClaskie	D2/956
D501,706 S *	2/2005	McClaskie	D2/954
D508,160 S	8/2005	Sonnergren	

D513,837 S	1/2006	Carnes	
7,080,467 B2 *	7/2006	Marvin et al.	36/29
D545,035 S	6/2007	Roulo	
D548,436 S *	8/2007	Wolff	D2/956
D576,394 S *	9/2008	Heller	D2/951
7,437,835 B2 *	10/2008	Marvin et al.	36/29
D580,139 S	11/2008	McClaskie	
D582,638 S *	12/2008	Ringholz	D2/947
D583,137 S *	12/2008	Ringholz	D2/953
D586,984 S *	2/2009	Schwartz	D2/925
D590,138 S	4/2009	Cofinco	
D590,579 S	4/2009	Cofinco	
D595,489 S *	7/2009	McClaskie	D2/954
D597,287 S *	8/2009	Vestuti et al.	D2/956
D597,288 S	8/2009	McClaskie	
D608,999 S	2/2010	McClaskie	
D619,343 S *	7/2010	Vestuti et al.	D2/956
D627,545 S *	11/2010	Raysse	D2/947
2010/0251565 A1 *	10/2010	Litchfield et al.	36/28
2011/0072684 A1 *	3/2011	Stubblefield	36/29

* cited by examiner

Primary Examiner — T. Chase Nelson

(74) *Attorney, Agent, or Firm* — Marshall A. Lerner; Marvin
H. Kleinberg; Kleinberg & Lerner, LLP

(57) **CLAIM**

The ornamental design for a shoe bottom, as shown and
described.

DESCRIPTION

FIG. 1 is a perspective view of a shoe bottom embodying my
new design.
FIG. 2 is a bottom plan view thereof;
FIG. 3 is a left side view thereof;
FIG. 4 is a right side view thereof;
FIG. 5 is a rear elevation view thereof;
FIG. 6 is a front elevation view thereof; and,
FIG. 7 is a top plan view thereof.
Broken lines showing the remainder of the shoe in the figures
are for illustrative purposes only and form no part of the
claimed invention.

1 Claim, 6 Drawing Sheets

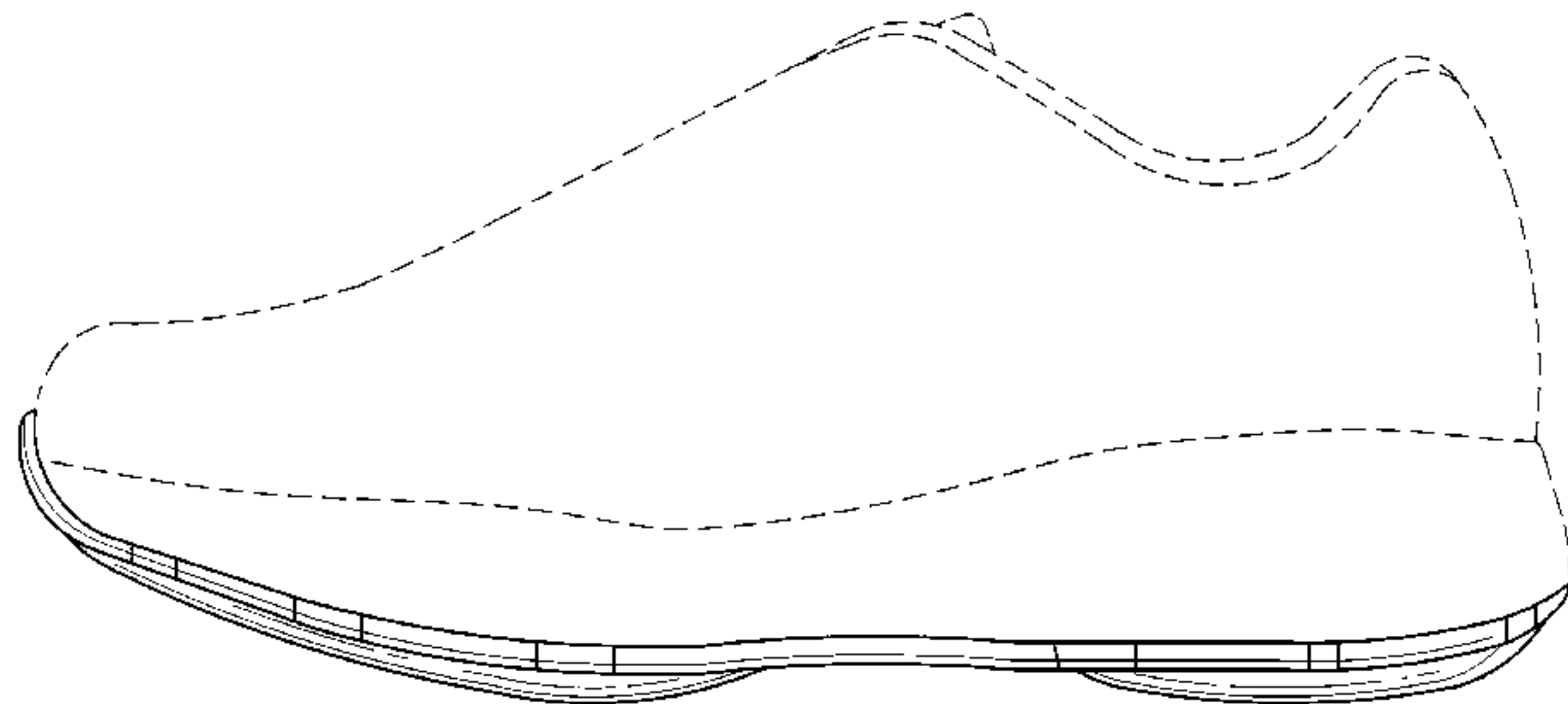
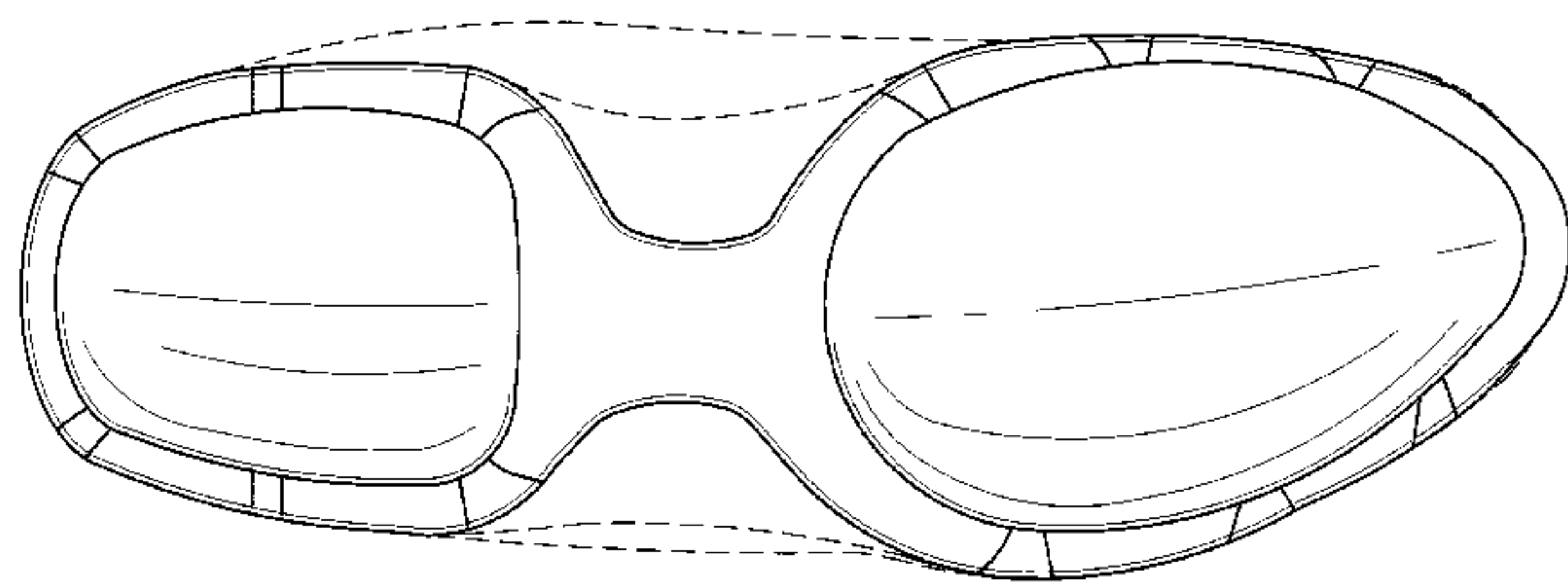
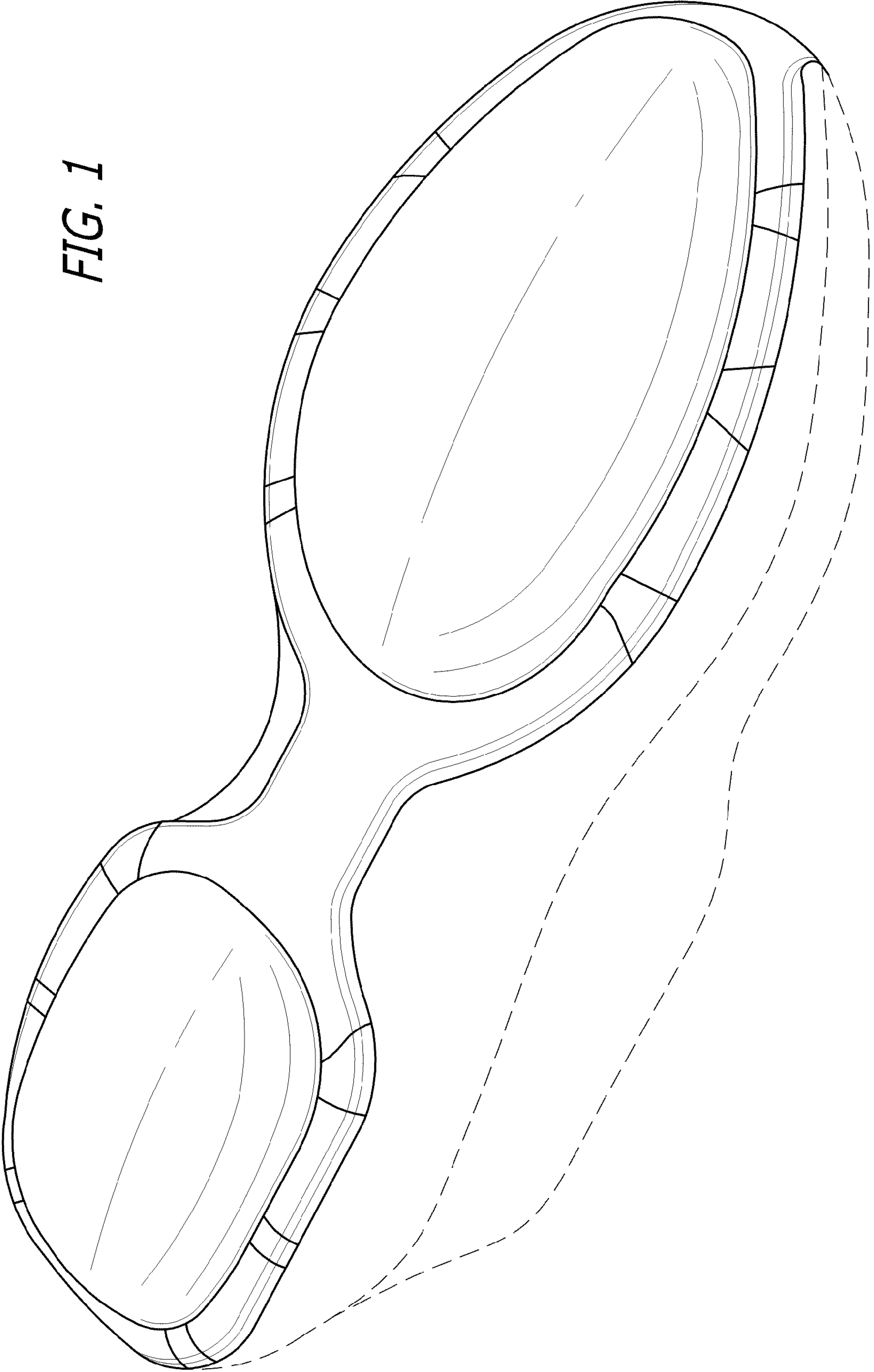


FIG. 1



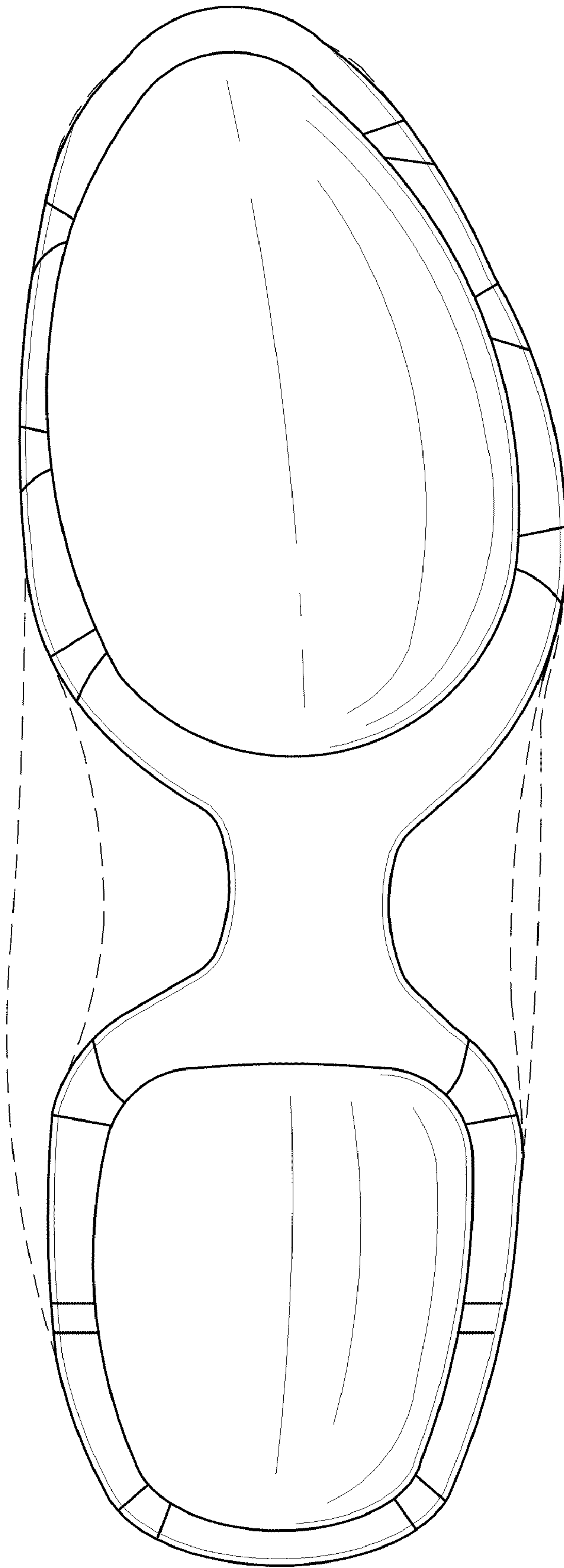
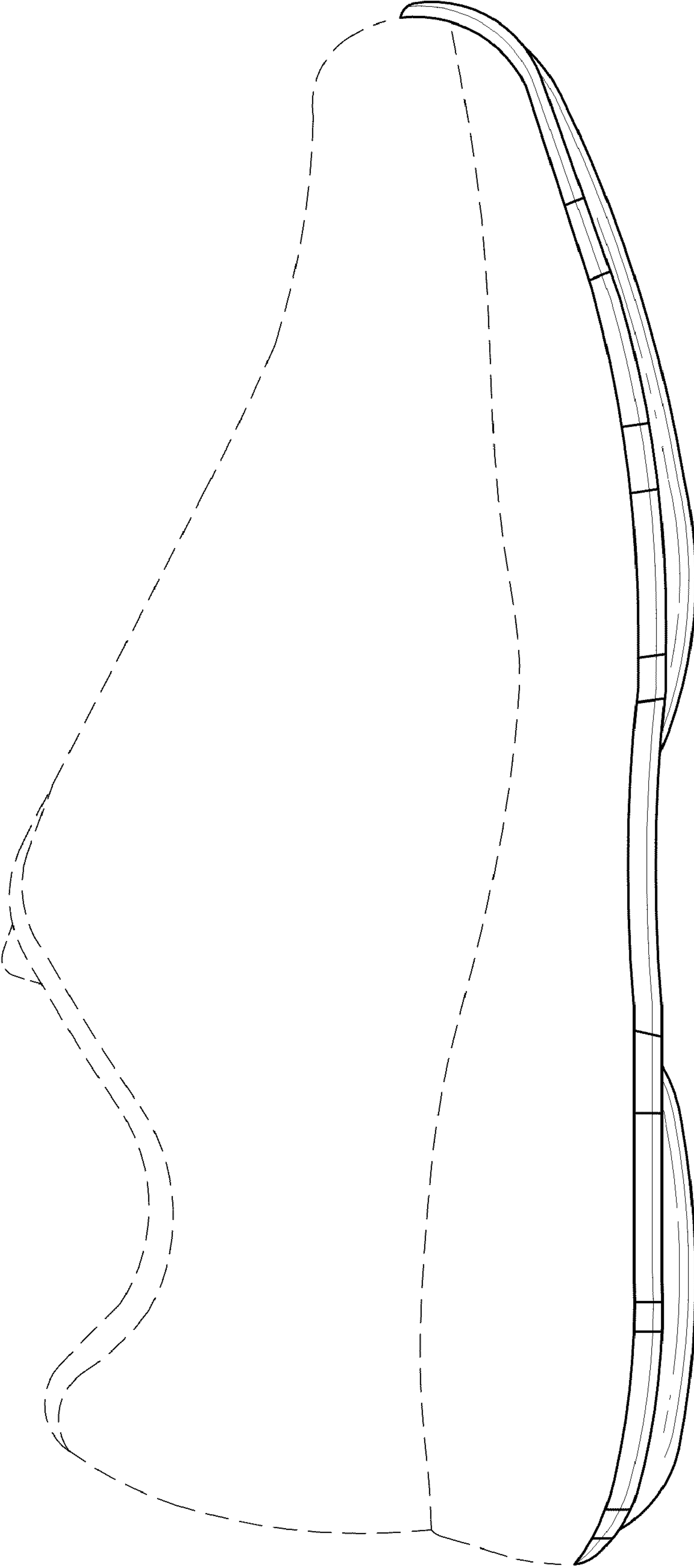


FIG. 2

FIG. 3



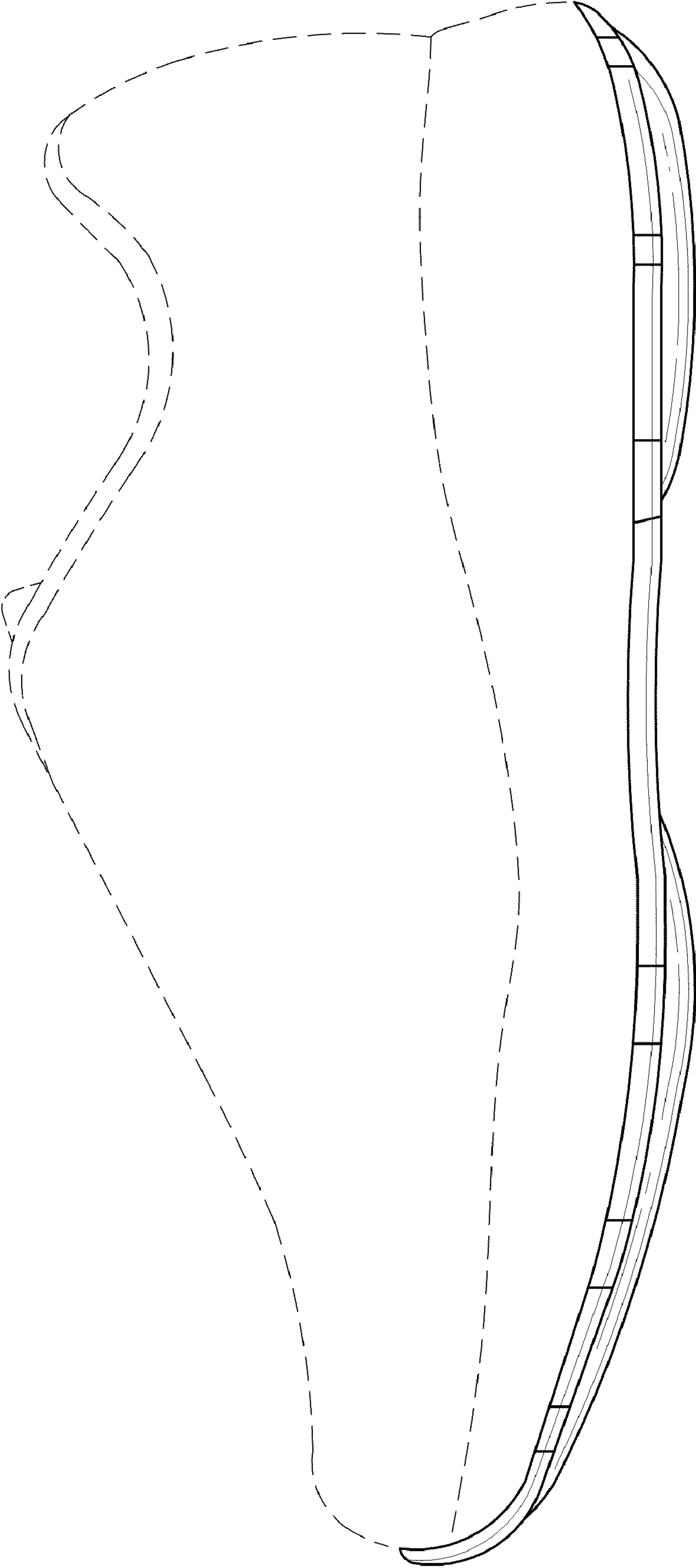


FIG. 4

FIG. 6

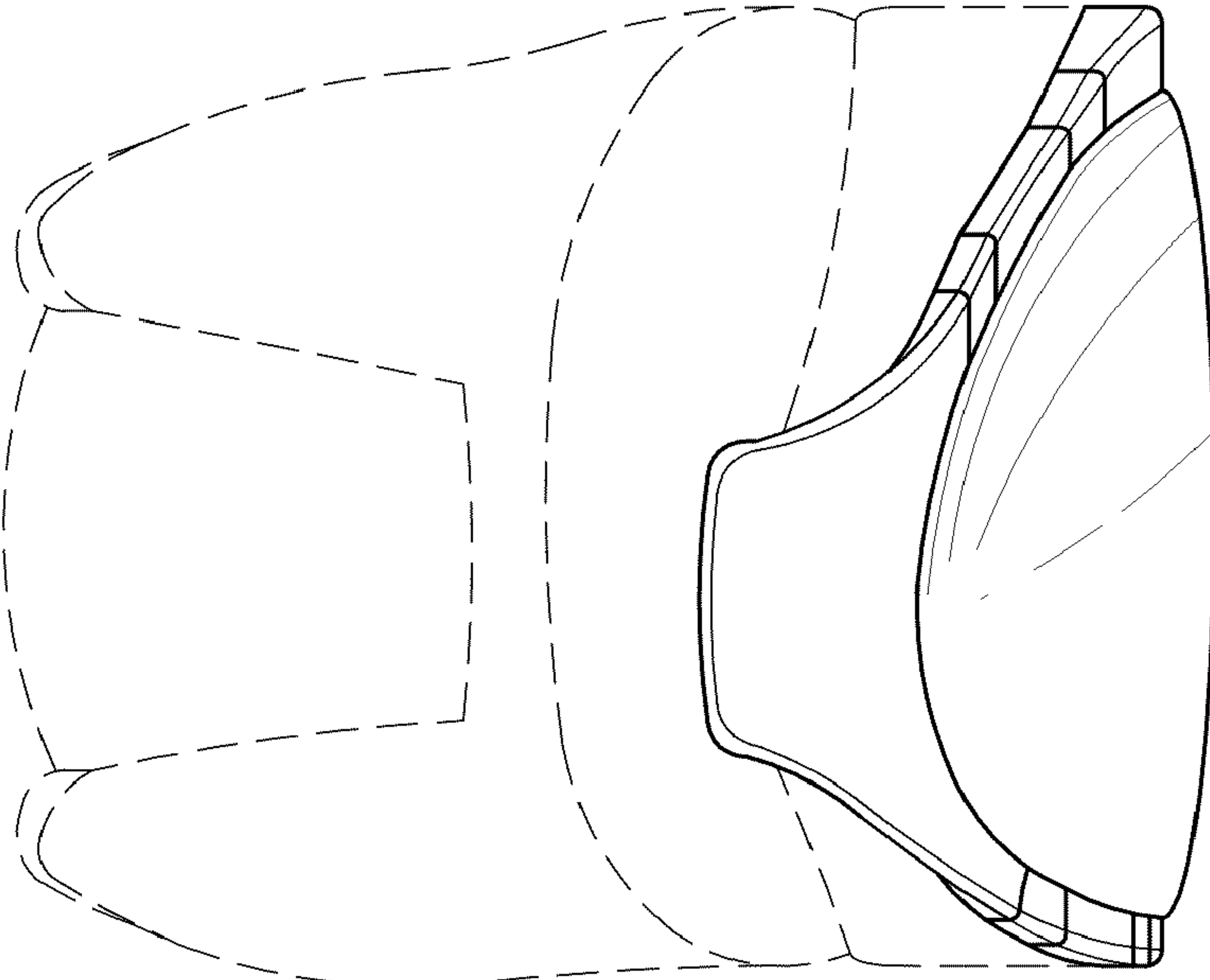
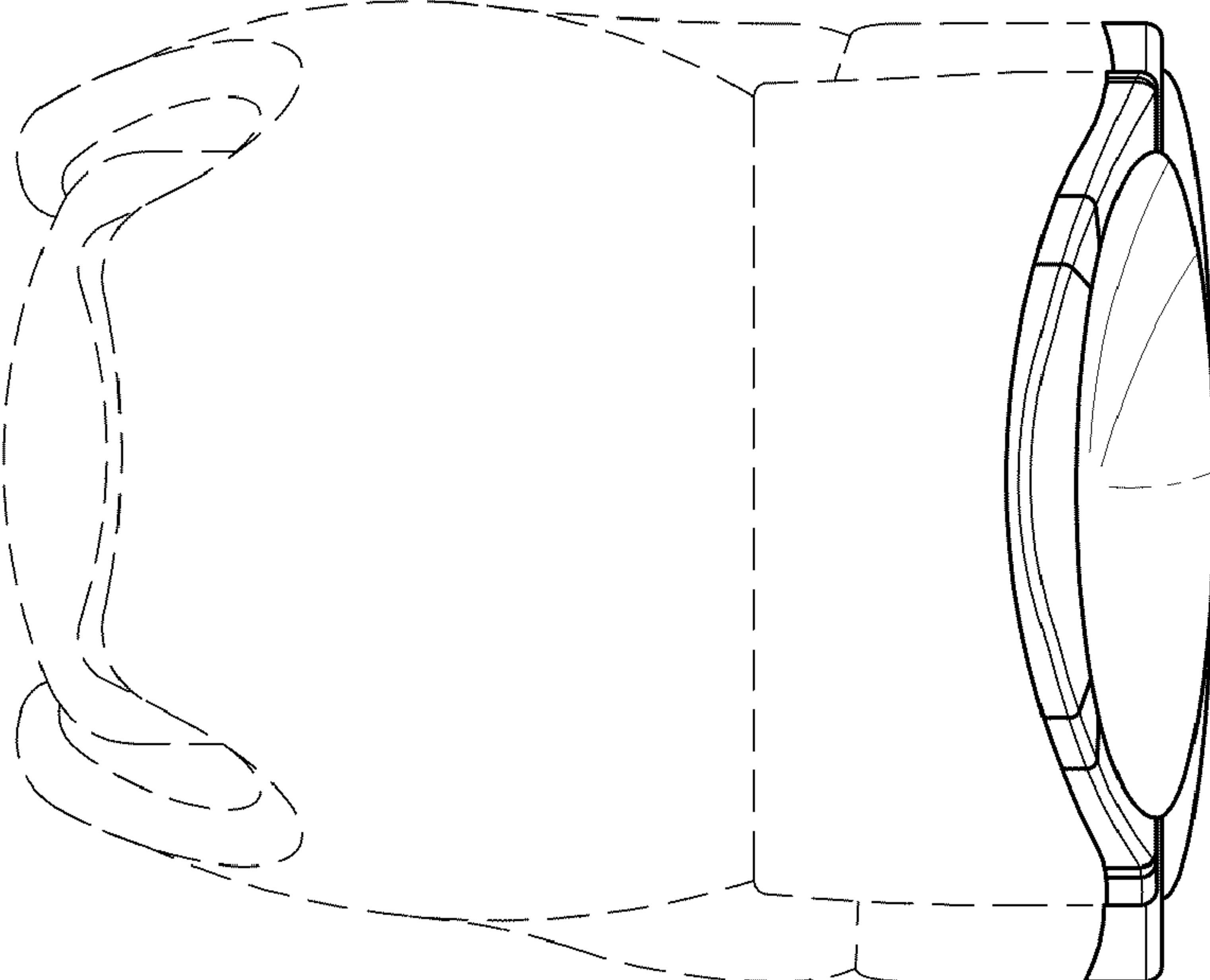


FIG. 5



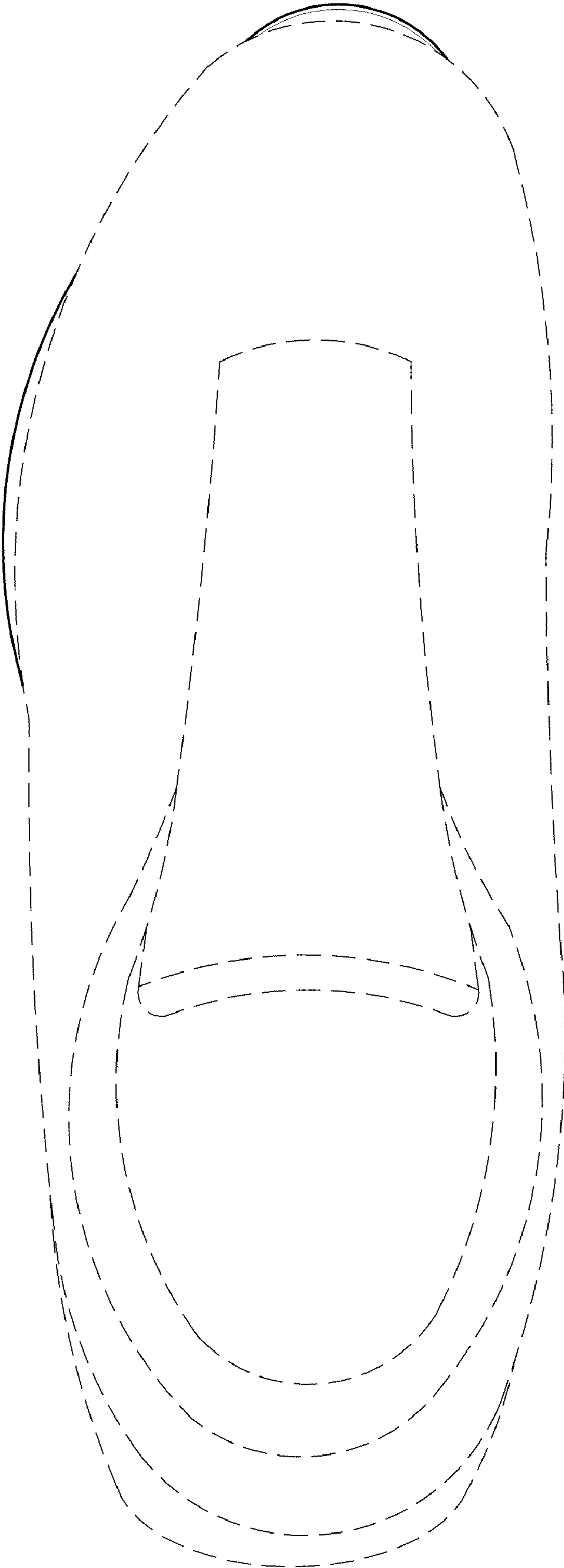


FIG. 7