



US00D643602S

(12) **United States Design Patent**
Teteriatnikov

(10) **Patent No.:** **US D643,602 S**
(45) **Date of Patent:** **** Aug. 23, 2011**

- (54) **PERIPHERY OF AN OUTSOLE**
- (75) Inventor: **Savva Teteriatnikov**, Marina del Rey, CA (US)
- (73) Assignee: **SKECHERS U.S.A., Inc. II**, Manhattan Beach, CA (US)
- (**) Term: **14 Years**
- (21) Appl. No.: **29/388,593**
- (22) Filed: **Mar. 30, 2011**
- (51) **LOC (9) Cl.** **02-99**
- (52) **U.S. Cl.** **D2/946; D2/977**
- (58) **Field of Classification Search** D2/896, D2/902, 906, 908, 943, 944, 946, 947, 964, D2/977; 36/25 R-25 A, 103
See application file for complete search history.

D523,627 S	6/2006	Avar	
D528,777 S	9/2006	McDowell	
7,171,767 B2	2/2007	Hatfield et al.	
D565,283 S	4/2008	Smith et al.	
7,392,605 B2	7/2008	Hatfield et al.	
D574,141 S	8/2008	Kaufman	
D576,393 S	9/2008	Kaufman	
D582,133 S	12/2008	Del Biondi	
7,555,851 B2	7/2009	Hazenberg et al.	
7,607,241 B2	10/2009	McDonald et al.	
D624,291 S	9/2010	Henderson	
D626,316 S *	11/2010	Akhidime D2/946
2008/0201992 A1	8/2008	Avar et al.	
2010/0287788 A1	11/2010	Spanks et al.	
2010/0313447 A1	12/2010	Becker et al.	

* cited by examiner

Primary Examiner — Dominic Simone
(74) *Attorney, Agent, or Firm* — Marshall A. Lerner; Marvin H. Kleinberg; Kleinberg & Lerner, LLP

(56) **References Cited**

U.S. PATENT DOCUMENTS

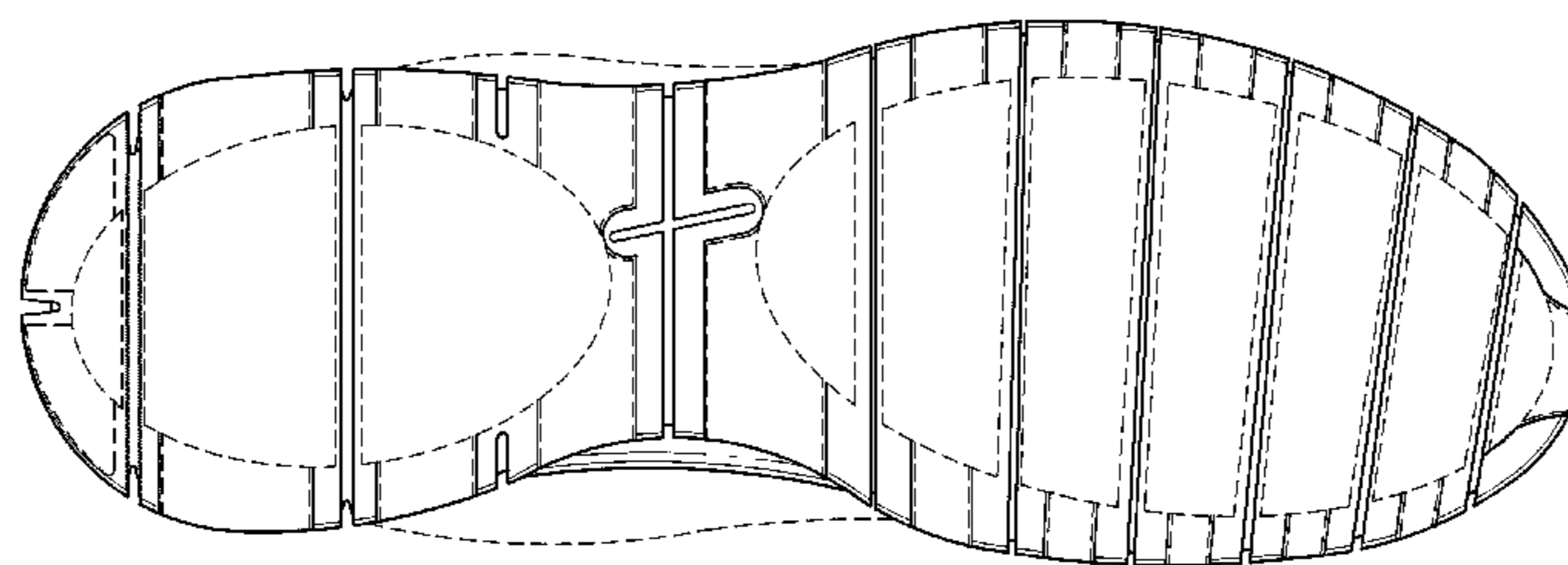
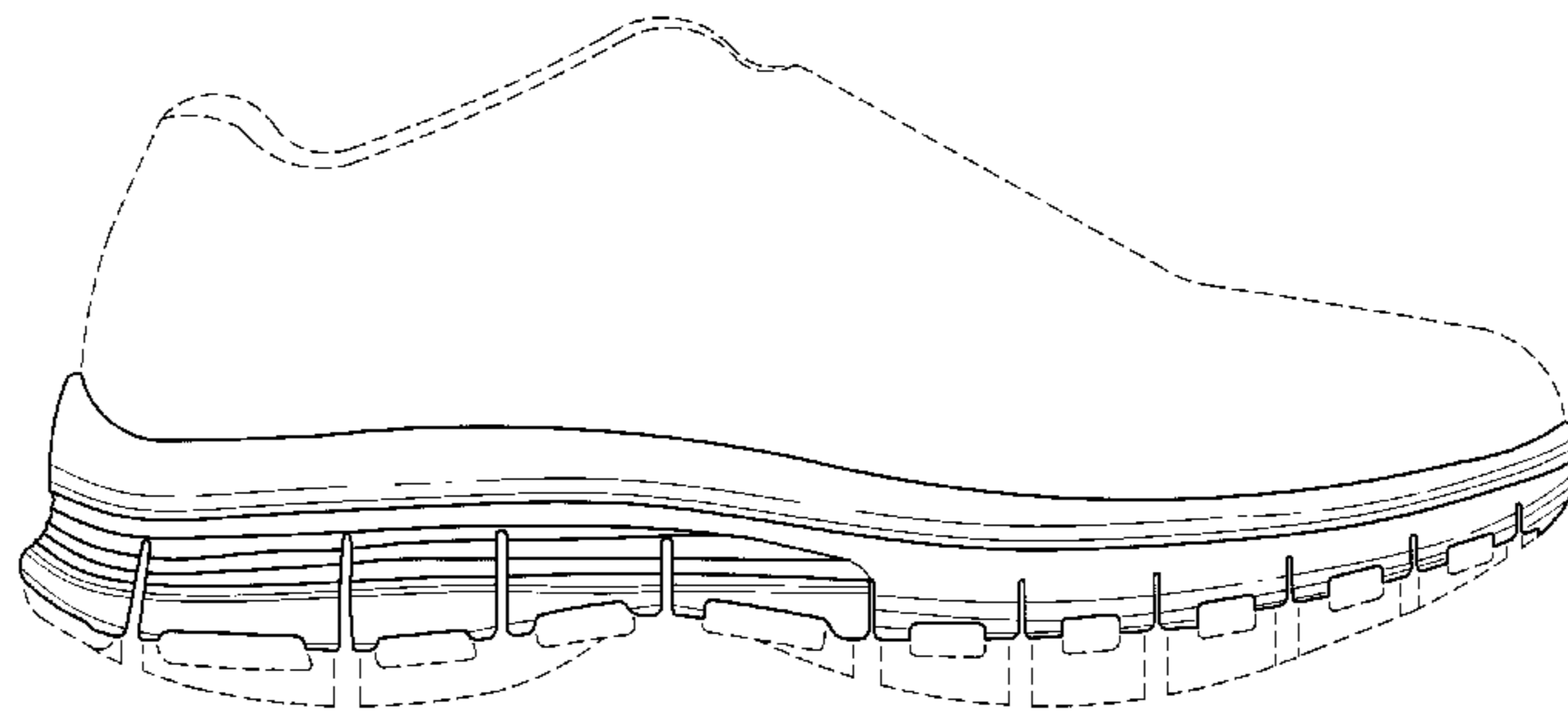
D133,176 S	7/1942	Gregg	
D294,537 S	3/1988	Le	
D294,653 S	3/1988	Le	
D296,149 S	6/1988	Diaz	
D326,762 S	6/1992	Kiyosawa	
D326,952 S *	6/1992	Smith, III D2/977
D398,743 S	9/1998	Rask	
D414,922 S	10/1999	Wright	
D422,128 S	4/2000	Adler	
D430,966 S *	9/2000	Brady et al. D2/908
D458,742 S	6/2002	Crary et al.	
D466,277 S	12/2002	Smith, III	
D466,278 S	12/2002	Smith, III	
D495,128 S	8/2004	Avar	
D512,818 S *	12/2005	Mitani et al. D2/977
D518,285 S *	4/2006	Schoenborn et al. D2/977
D522,229 S	6/2006	Kubo et al.	

(57) **CLAIM**
The ornamental design for a periphery of an outsole, as shown and described.

DESCRIPTION

FIG. 1 is a perspective view of a periphery of an outsole embodying my new design.
FIG. 2 is a left side view thereof;
FIG. 3 is a right side view thereof;
FIG. 4 is a top plan view thereof;
FIG. 5 is a bottom plan view thereof;
FIG. 6 is a rear elevation view thereof; and,
FIG. 7 is a front elevation view thereof.
Broken lines showing the remainder of the shoe in the figures are for illustrative purposes only and form no part of the claimed invention.

1 Claim, 6 Drawing Sheets



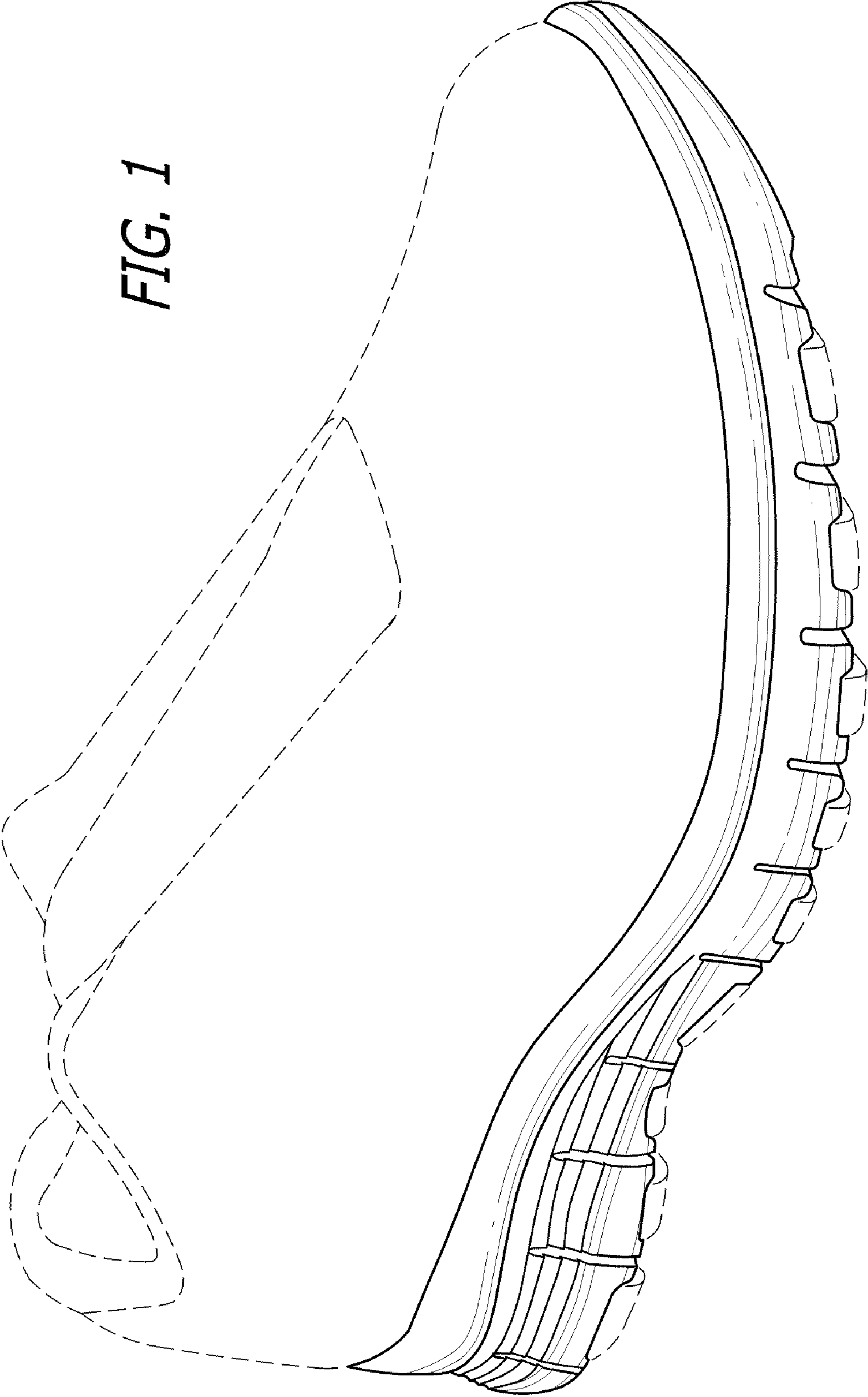
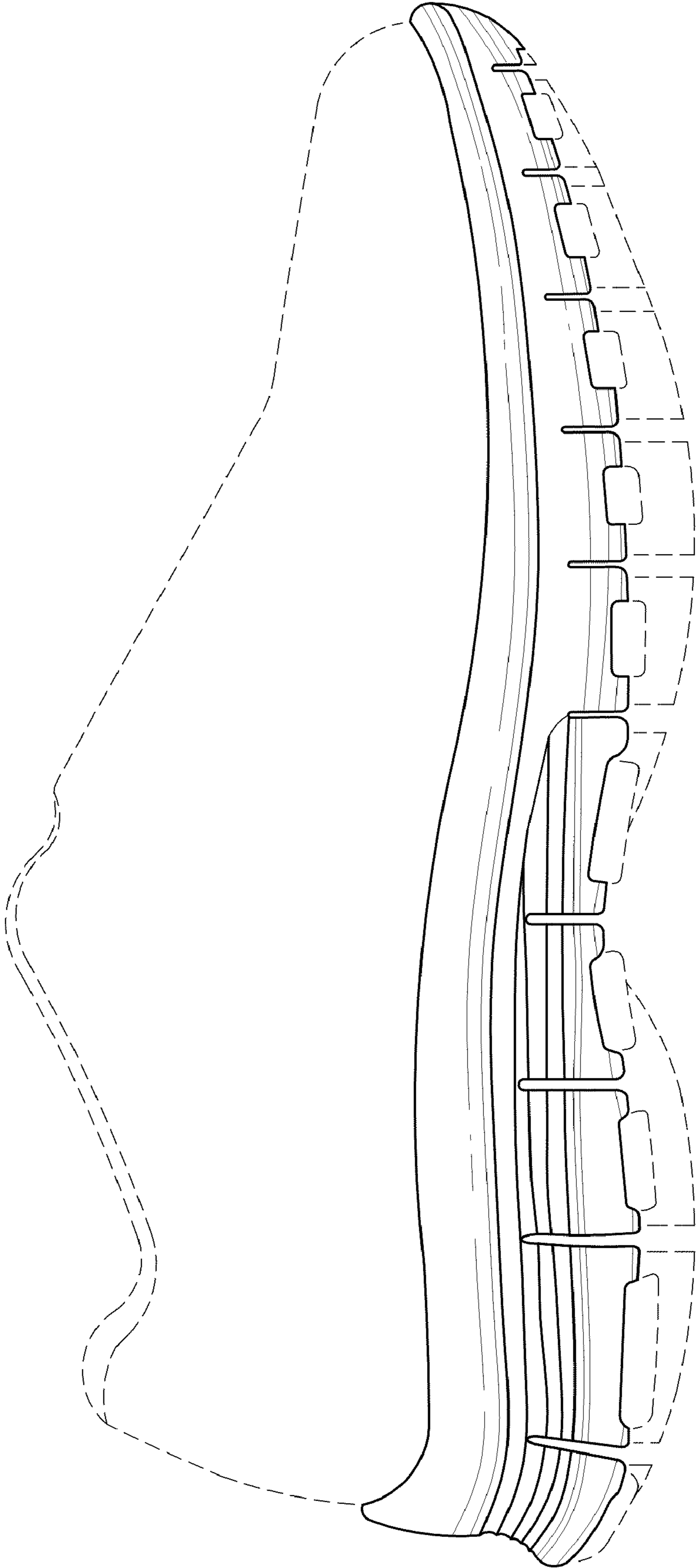


FIG. 1

FIG. 2



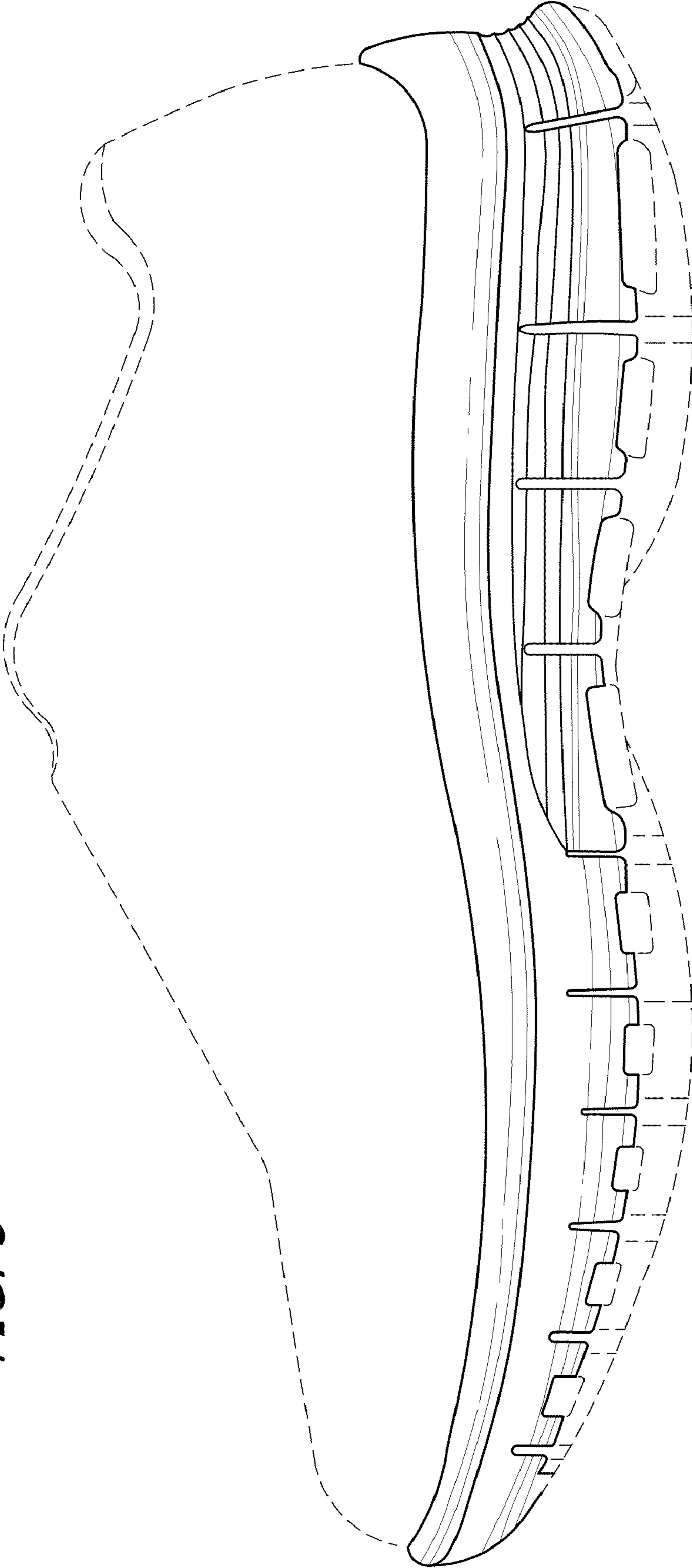


FIG. 3

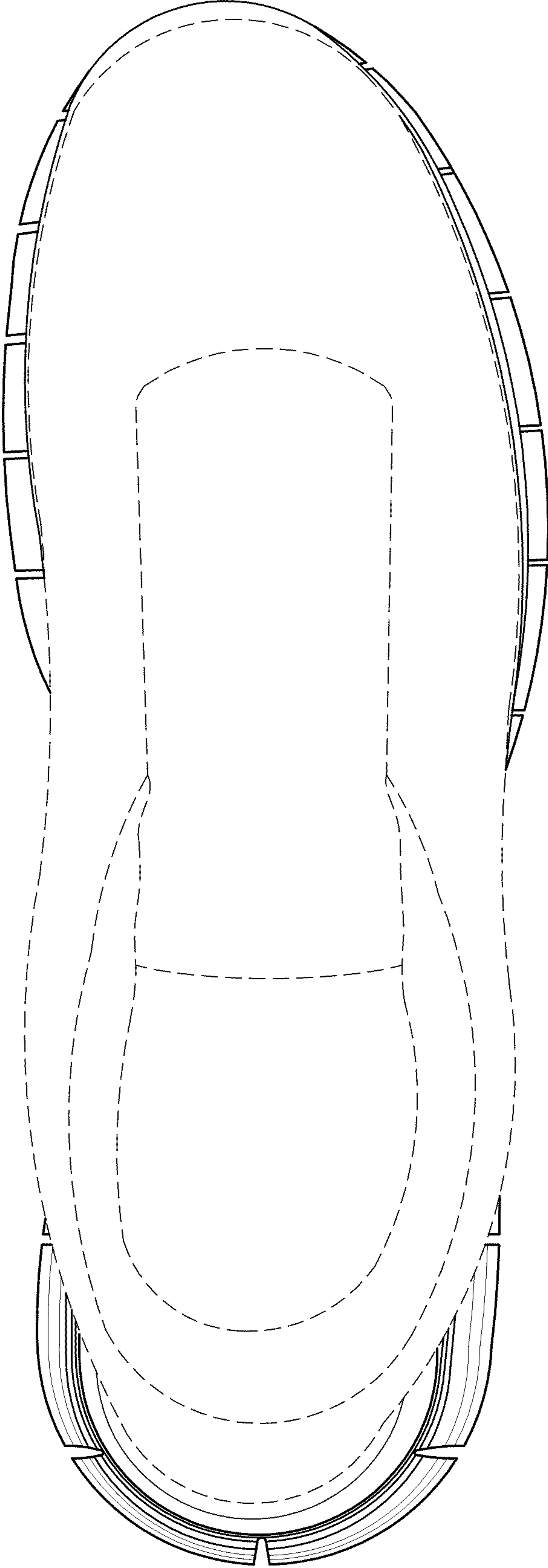


FIG. 4

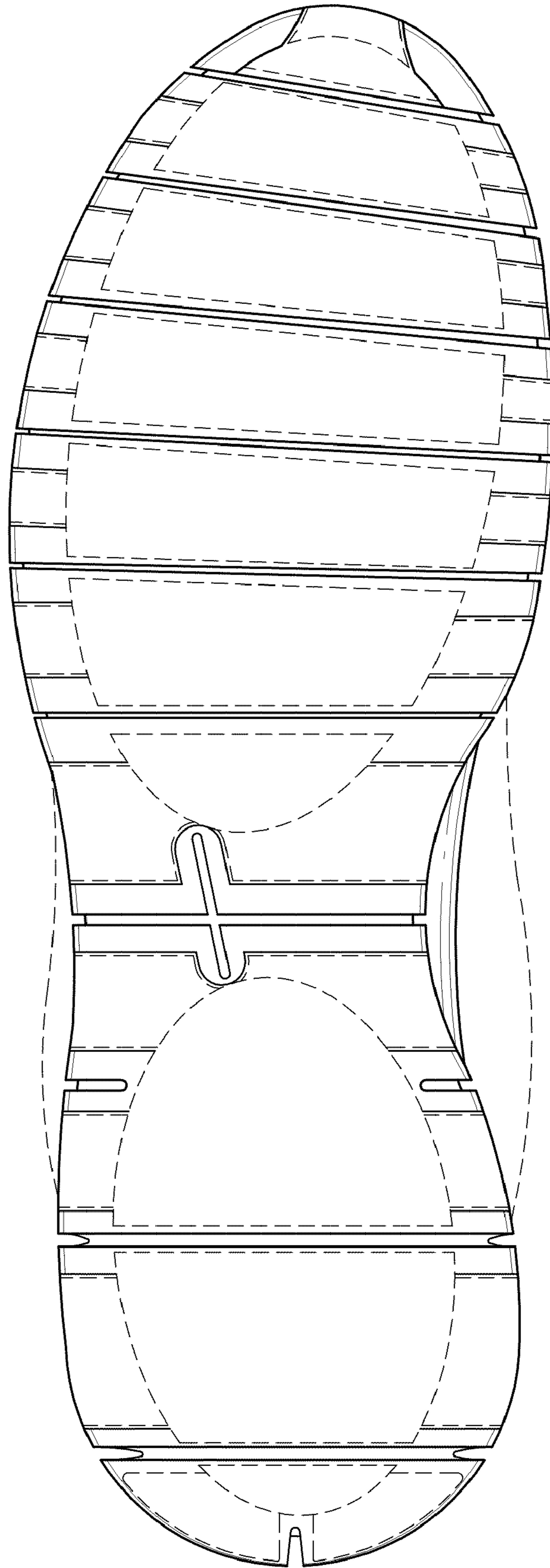


FIG. 5

FIG. 7

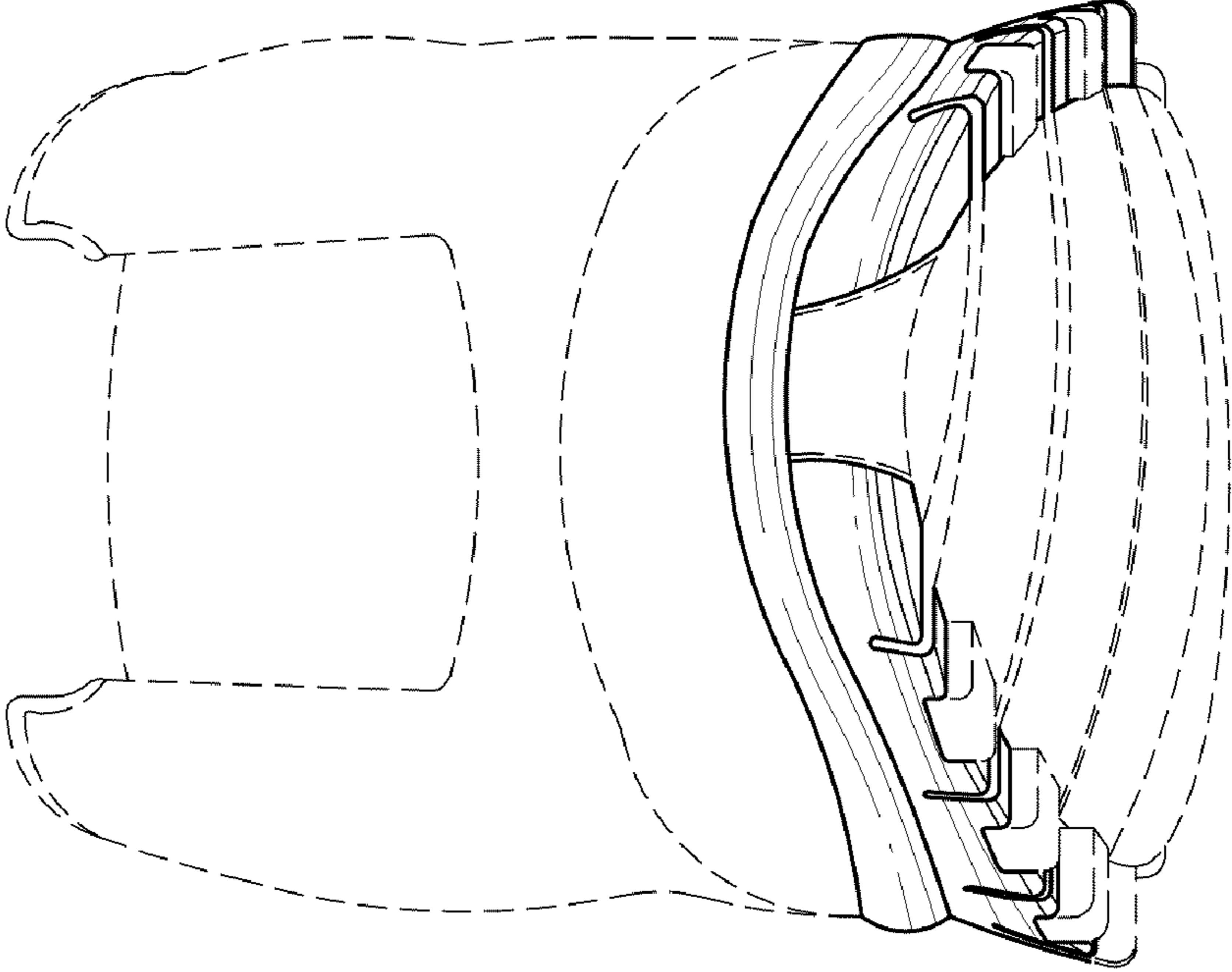


FIG. 6

