



US00D643590S

(12) **United States Design Patent**
Malcolm et al.

(10) **Patent No.:** **US D643,590 S**

(45) **Date of Patent:** **** Aug. 23, 2011**

(54) **WEARABLE ARM PILLOW**

(76) Inventors: **Eugene Malcolm**, Lenexa, KS (US);
Christian Darabant, Lenexa, KS (US)

(**) Term: **14 Years**

(21) Appl. No.: **29/345,433**

(22) Filed: **Oct. 15, 2009**

(51) **LOC (9) Cl.** **02-06**

(52) **U.S. Cl.** **D2/610**

(58) **Field of Classification Search** D2/610-623;
2/24, 59, 170; D6/595-597, 601, 604; 5/630,
5/632, 636, 644, 646, 652, 655, 655.3, 655.9;
D29/120.1; 607/108; 128/892; D24/190;
428/136.9; 84/453

See application file for complete search history.

(56) **References Cited**

U.S. PATENT DOCUMENTS

D435,621	S *	12/2000	Peterson	D21/803
6,386,761	B1 *	5/2002	Bohnsack	D6/601
D476,517	S *	7/2003	Davis	D6/601
6,859,964	B1 *	3/2005	Arnott	5/640
D510,400	S *	10/2005	Rockstad et al.	D21/808

D542,585	S *	5/2007	Justice	D6/601
D579,256	S *	10/2008	Alfieri et al.	D6/601
D602,299	S *	10/2009	Heroux	D6/601
2006/0179574	A1 *	8/2006	Margalit	5/655
2009/0307846	A1 *	12/2009	Eura et al.	5/636

* cited by examiner

Primary Examiner — Raphael Barkai

Assistant Examiner — Randall Gholson

(74) *Attorney, Agent, or Firm* — Polsinelli Shughart PC;
Michael A. Williamson

(57) **CLAIM**

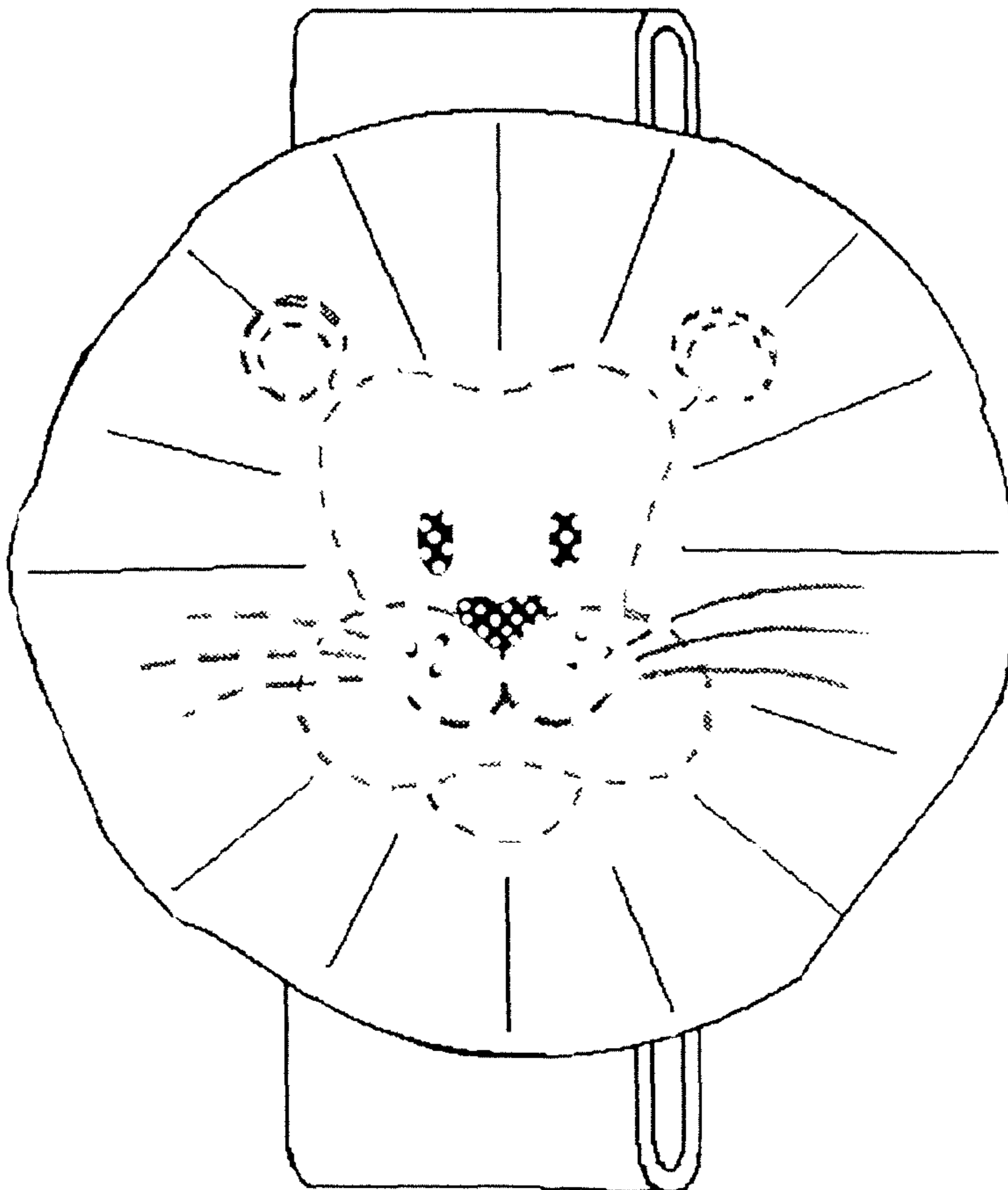
The ornamental design for a wearable arm pillow, as shown and described.

DESCRIPTION

FIG. 1 is an illustrative front view of the wearable arm pillow; FIG. 2 is a back view of the wearable arm pillow; FIG. 3 is a right side view of the wearable arm pillow; FIG. 4 is a top side view of the wearable arm pillow; FIG. 5 is a bottom side view of the wearable arm pillow; and, FIG. 6 is a front view of the wearable arm pillow.

The broken lines are for illustration purposes only and form no part of the claimed design.

1 Claim, 4 Drawing Sheets



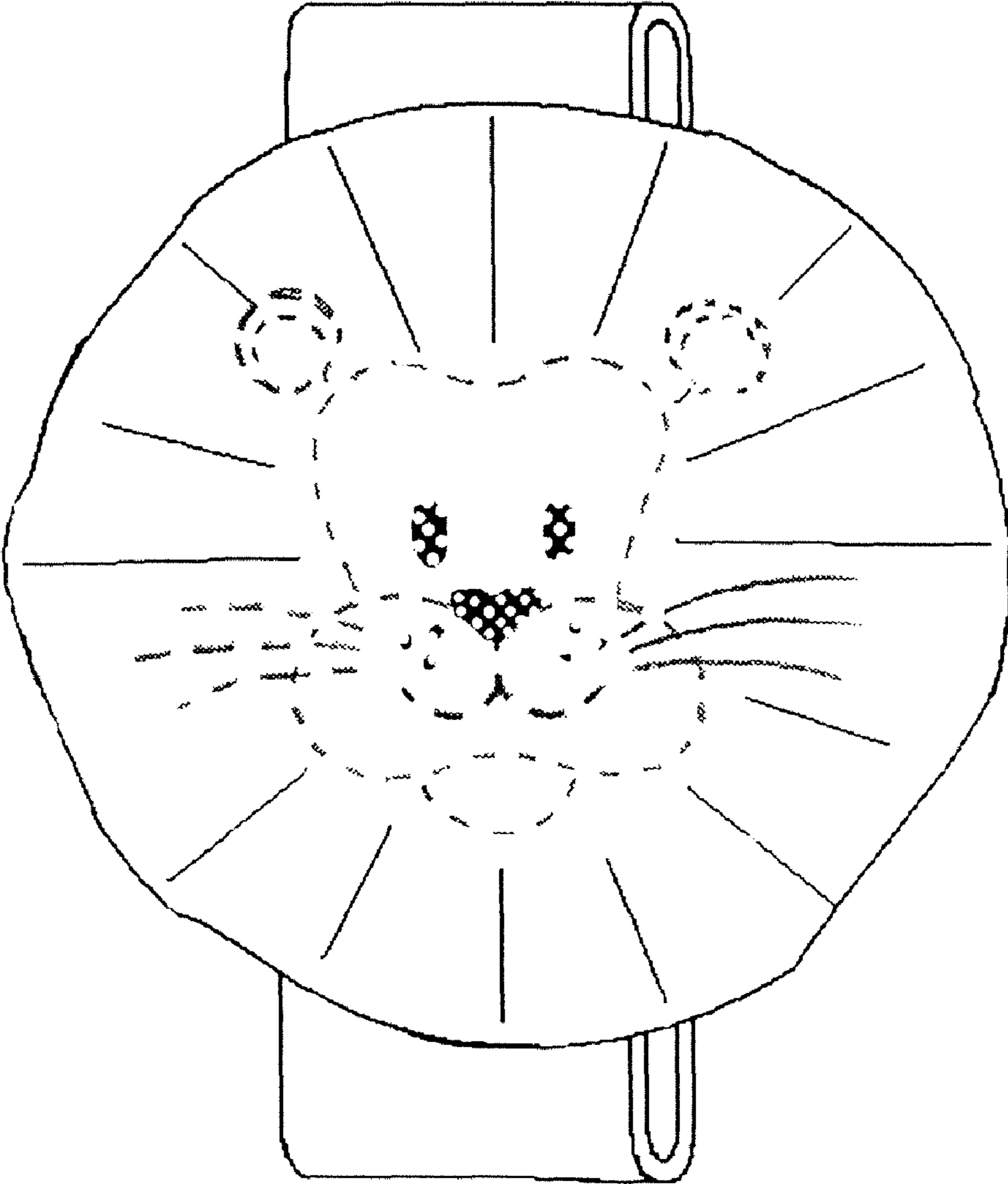


FIG 1

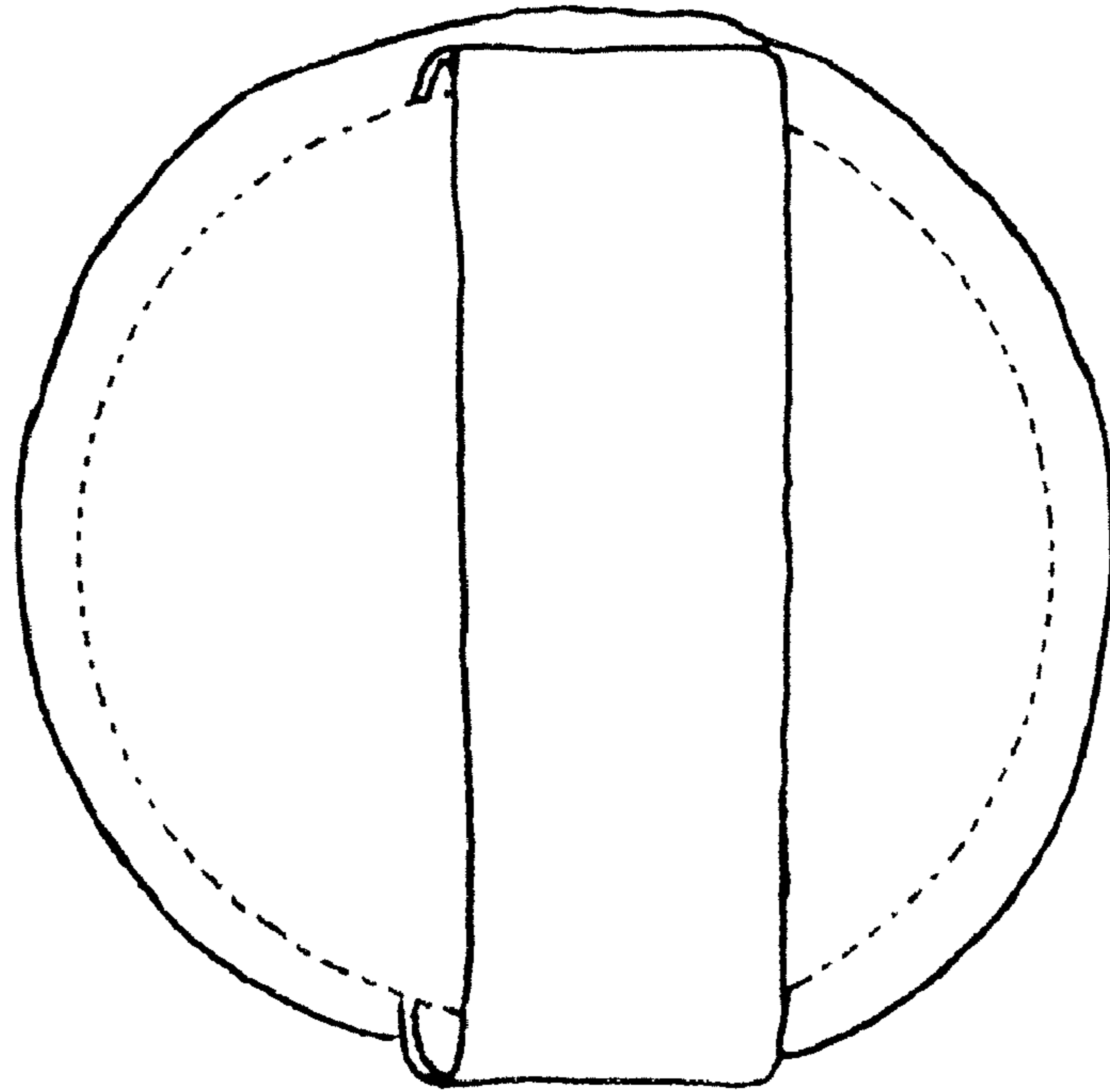


FIG 2

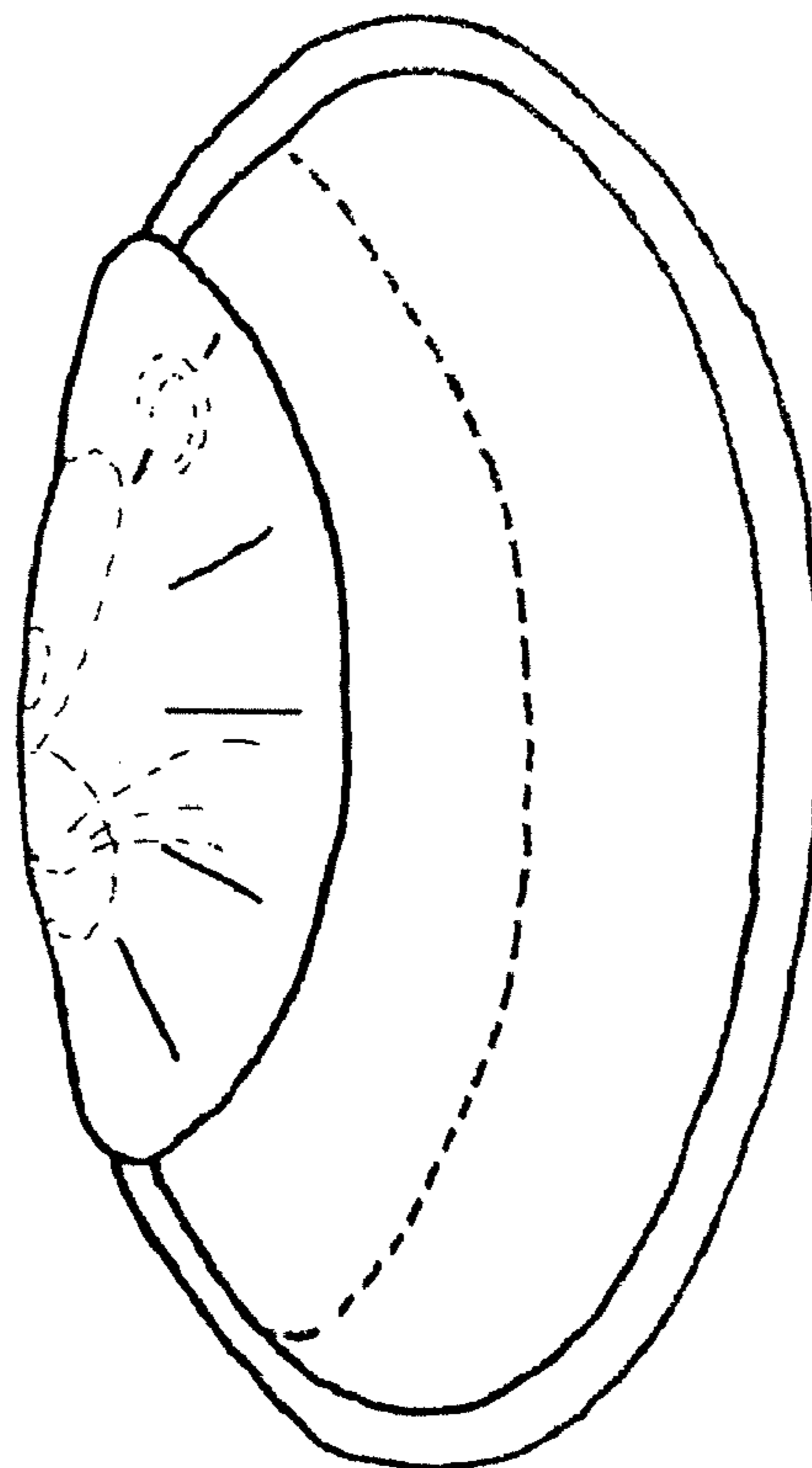


FIG 3

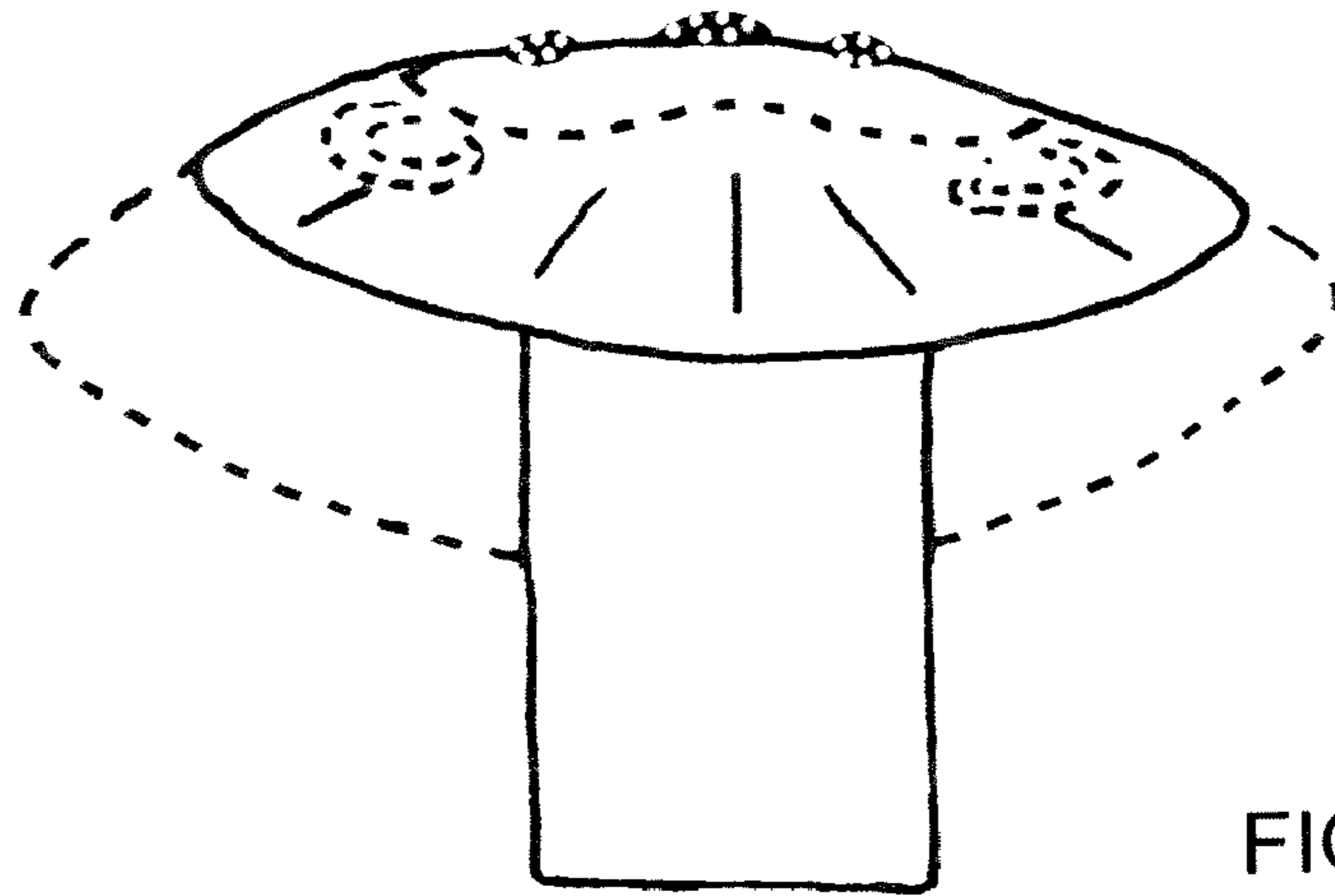


FIG 4

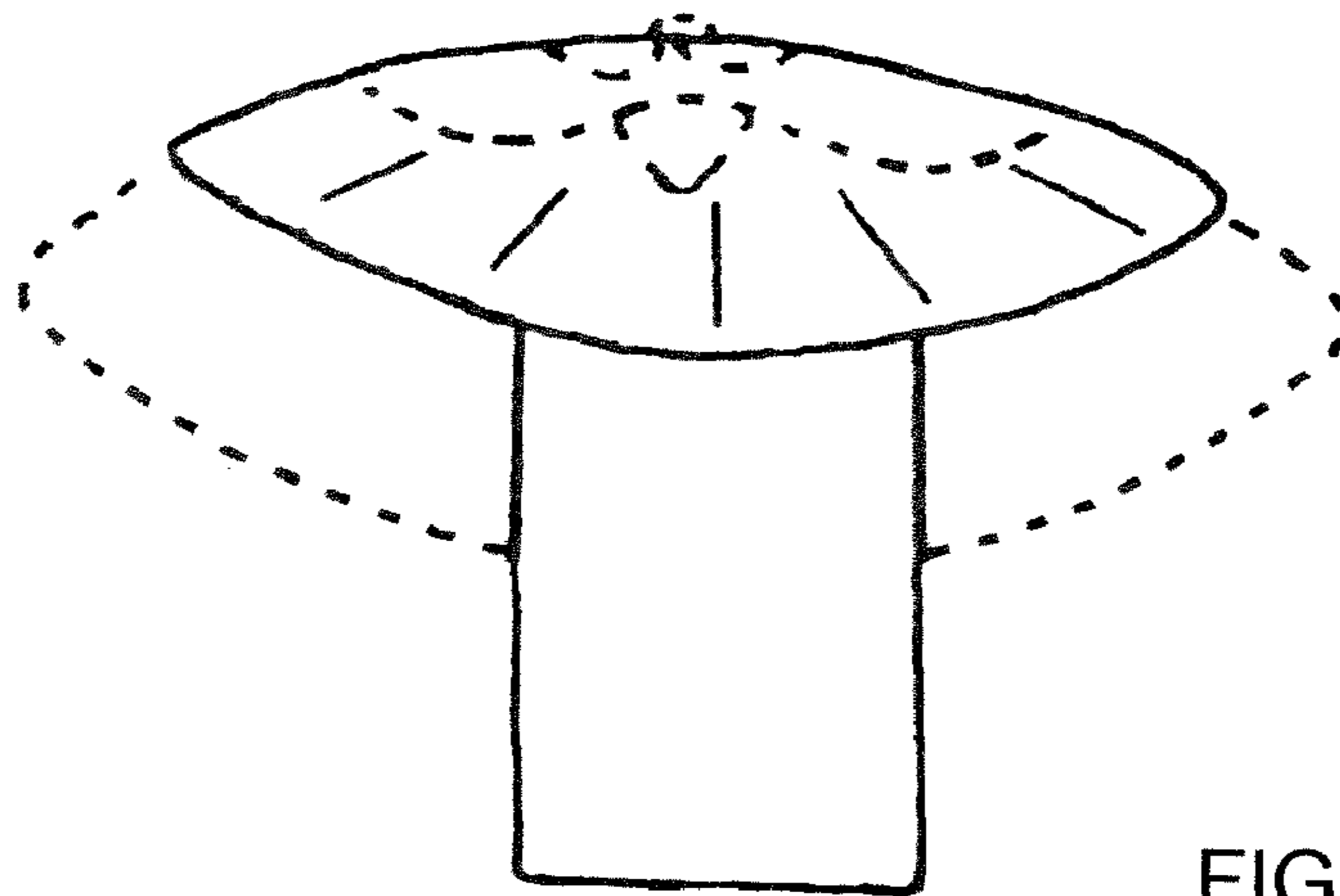


FIG 5

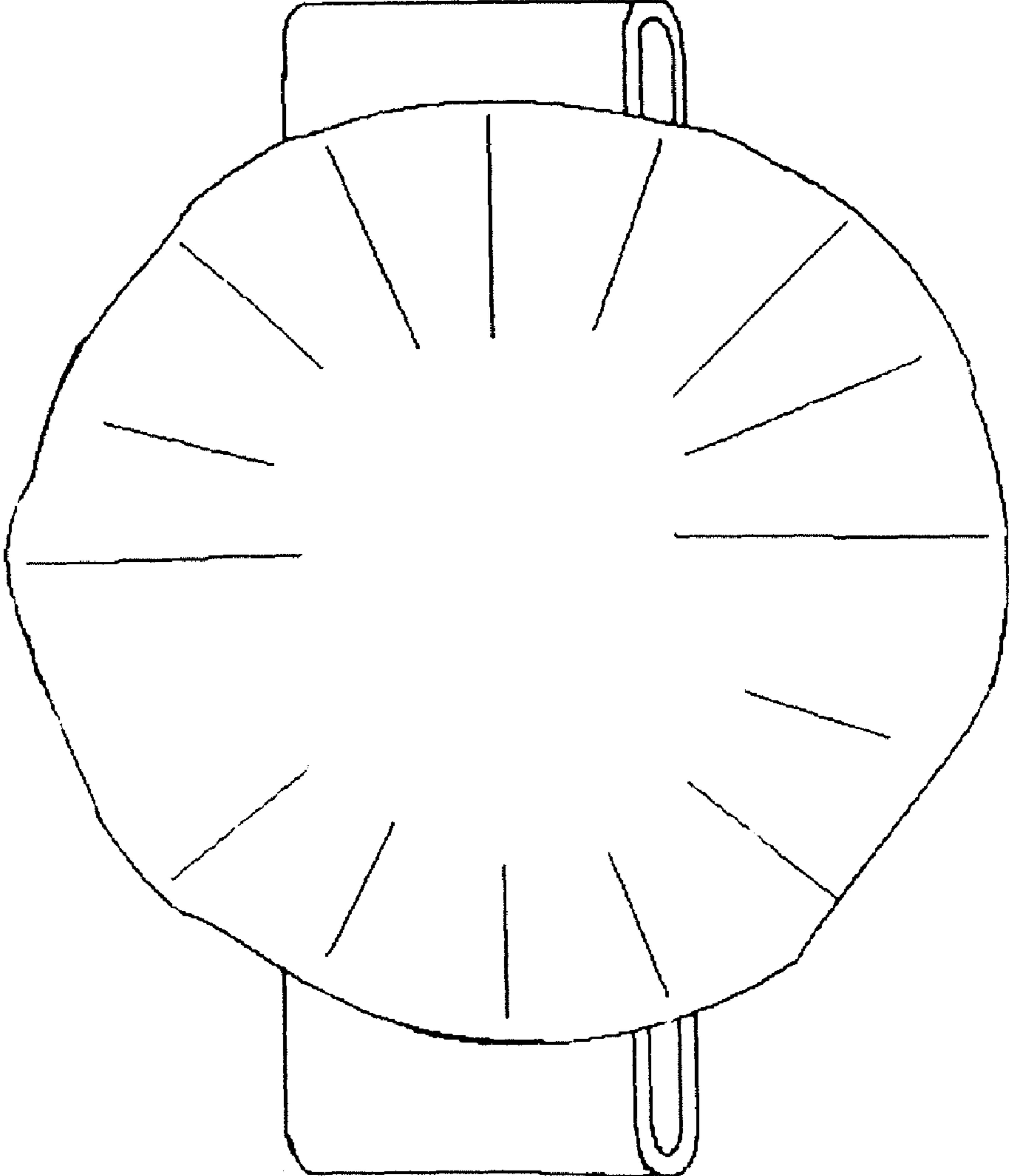


FIG 6