



US00D643582S

(12) **United States Design Patent**
Ashbee et al.

(10) **Patent No.:** **US D643,582 S**
(45) **Date of Patent:** **** Aug. 16, 2011**

- (54) **PART OF A VACUUM CLEANER**
- (75) Inventors: **Giles Ashbee**, Malmesbury (GB);
Stephen Robert Dimbylow,
Malmesbury (GB); **Peter David**
Gammack, Malmesbury (GB); **James**
Dyson, Malmesbury (GB)
- (73) Assignee: **Dyson Limited**, Malmesbury, Wiltshire
(GB)
- (**) Term: **14 Years**
- (21) Appl. No.: **29/361,457**
- (22) Filed: **May 11, 2010**
- (30) **Foreign Application Priority Data**

Nov. 20, 2009 (GB) 4013354

(51) **LOC (9) Cl.** **15-05**

(52) **U.S. Cl.** **D32/33**

(58) **Field of Classification Search** D32/50,
D32/17, 31-33, 22, 51, 38-40, 45, 25, 49;
15/182, 179, 168, 228, 319, 403, 209.1, 52,
15/1, 246.3, 320-322, 415.1-422.1, 414,
15/412, 354, 362, 366, 374, 400, 327.1, 329,
15/41.1, 42, 48, 171, 176.1, 159.1, 339, 208,
15/372, 385, 115, 106; 401/138-139; 68/222;
134/198, 105

See application file for complete search history.

- (56) **References Cited**
- U.S. PATENT DOCUMENTS
- D178,746 S * 9/1956 Anderson-Sason D32/33
- D178,747 S * 9/1956 Anderson-Sason D32/32
- 3,117,338 A * 1/1964 Stevens 15/400

- D225,265 S * 11/1972 Holubinka D32/32
 - D333,539 S * 2/1993 Kramer et al. D32/32
 - D381,144 S * 7/1997 Moine et al. D32/32
 - D392,780 S * 3/1998 Holsten et al. D32/33
 - D424,766 S * 5/2000 Martin D32/32
 - D439,711 S * 3/2001 Griffin D32/32
 - D468,499 S * 1/2003 Kitts D32/32
 - D507,854 S * 7/2005 Kim D32/32
 - D522,197 S * 5/2006 Dyson et al. D32/32
 - D556,963 S * 12/2007 Houghton D32/32
 - D563,615 S * 3/2008 Roschi D32/32
 - D580,611 S * 11/2008 Roschi D32/33
 - D599,065 S * 8/2009 Roschi D32/32
 - 7,631,394 B2 * 12/2009 Oh et al. 15/354
 - 2009/0064446 A1 * 3/2009 Oh et al. 15/319
 - 2010/0319159 A1 * 12/2010 Gell et al. 15/415.1
- * cited by examiner

Primary Examiner — Ruth McInroy
(74) *Attorney, Agent, or Firm* — Morrison & Foerster LLP

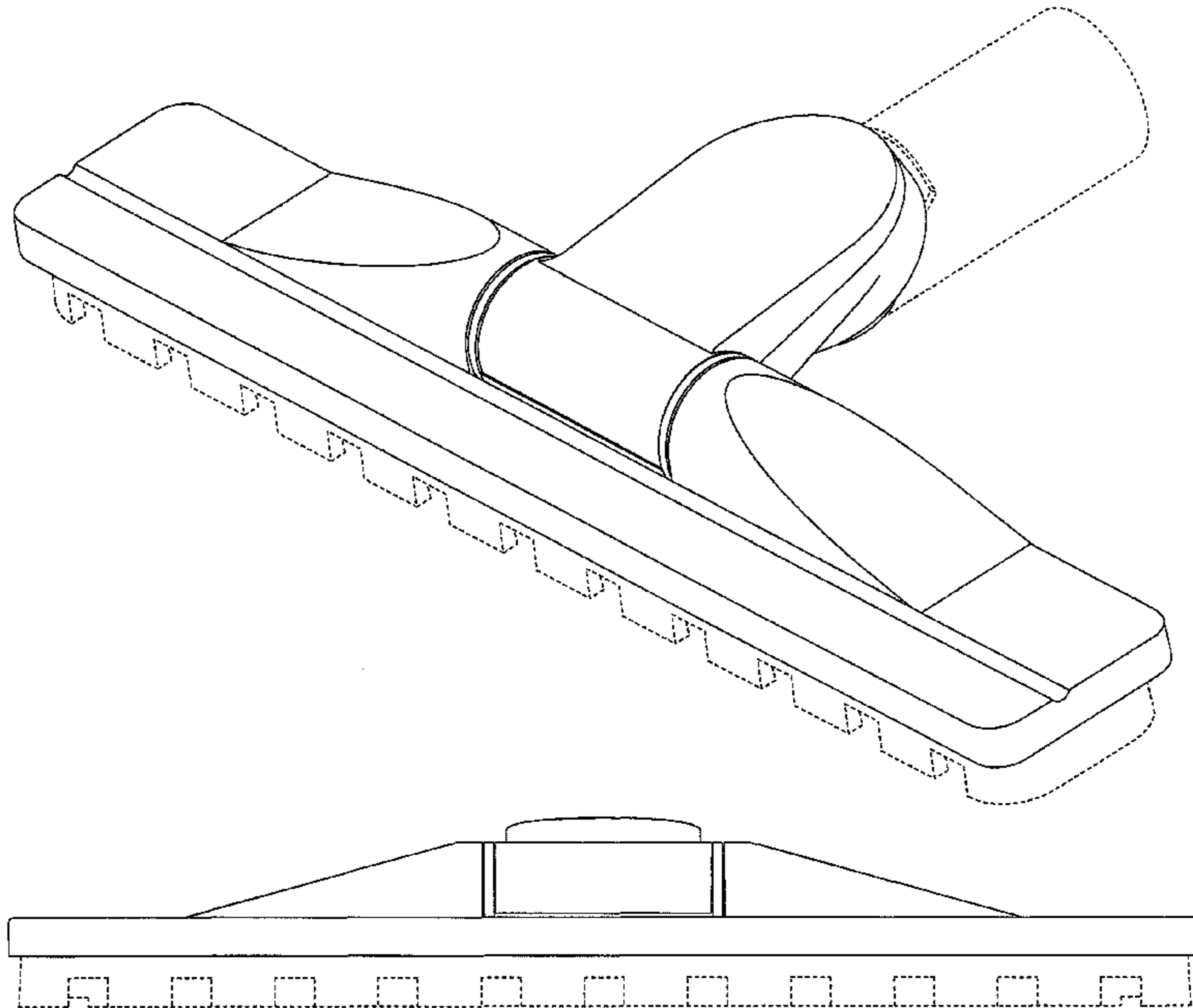
(57) **CLAIM**
We claim the ornamental design for a part of a vacuum cleaner, as shown and described.

DESCRIPTION

FIG. 1 is a perspective view of a part of a vacuum cleaner showing our new design;
FIG. 2 is a front view thereof;
FIG. 3 is a rear view thereof;
FIG. 4 is a side view thereof;
FIG. 5 is a side view of the opposite side of FIG. 4;
FIG. 6 is a plan view thereof from above; and,
FIG. 7 is a bottom view thereof.

The broken lines shown on the drawings are for illustration of the environment of the claimed design and form no part of the claimed design.

1 Claim, 5 Drawing Sheets



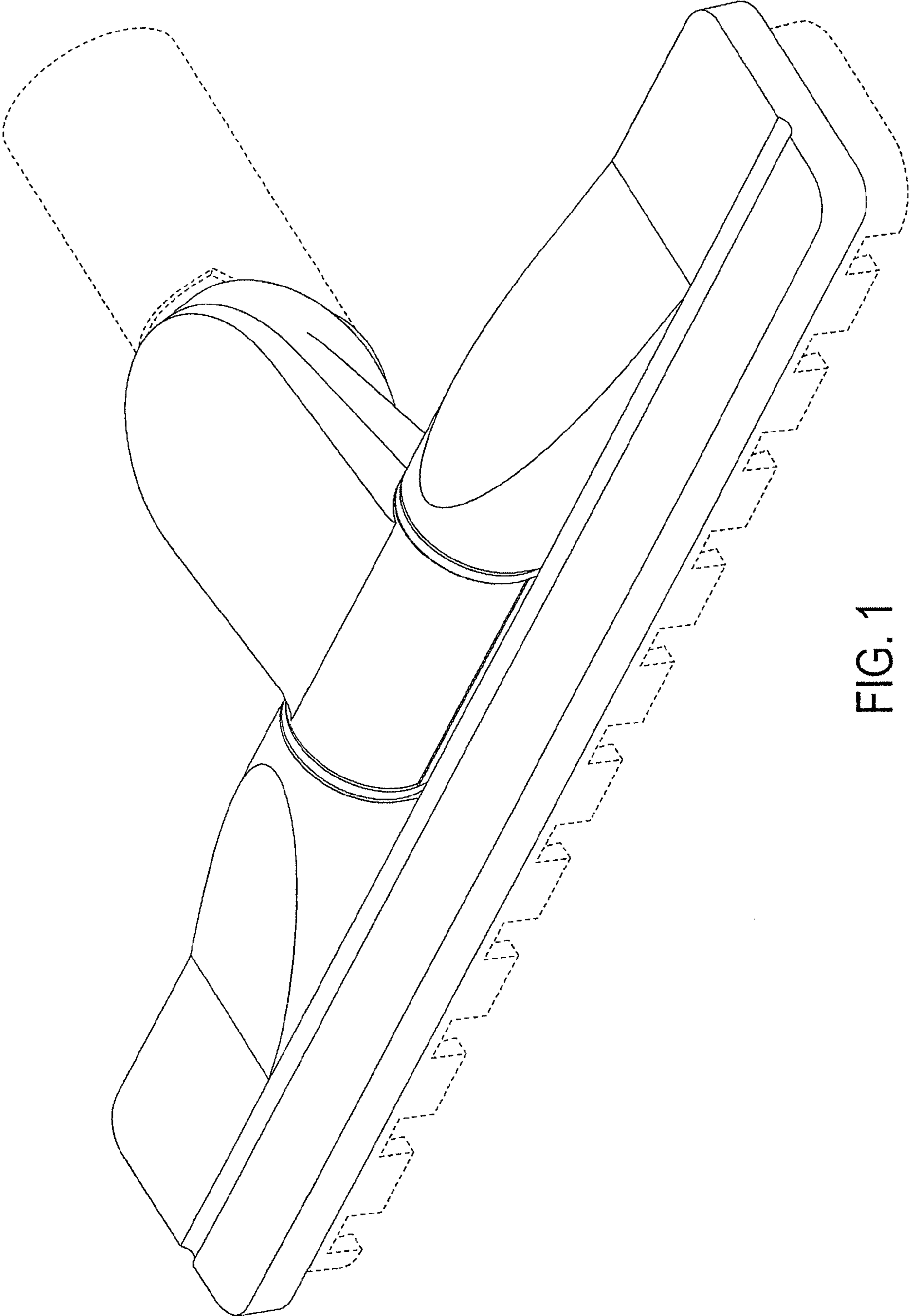


FIG. 1

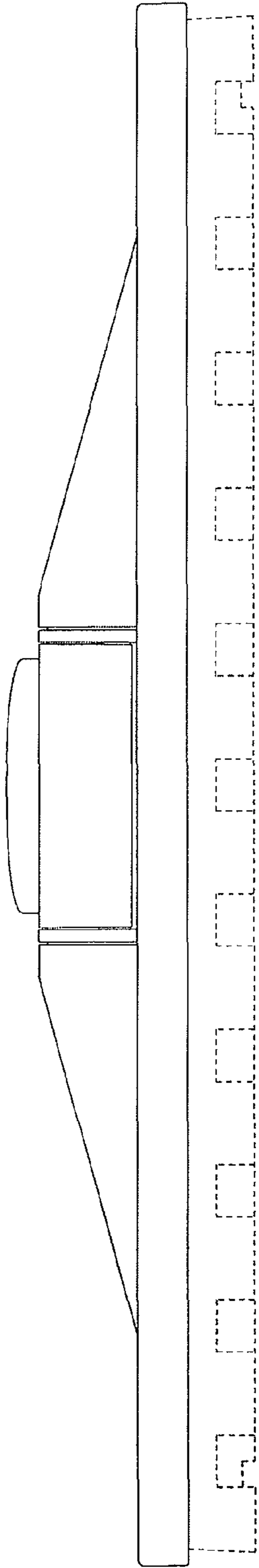


FIG. 2

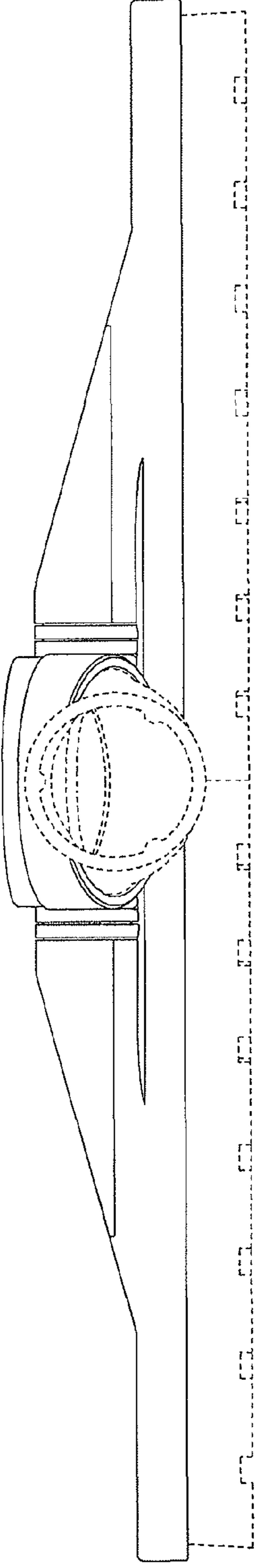


FIG. 3

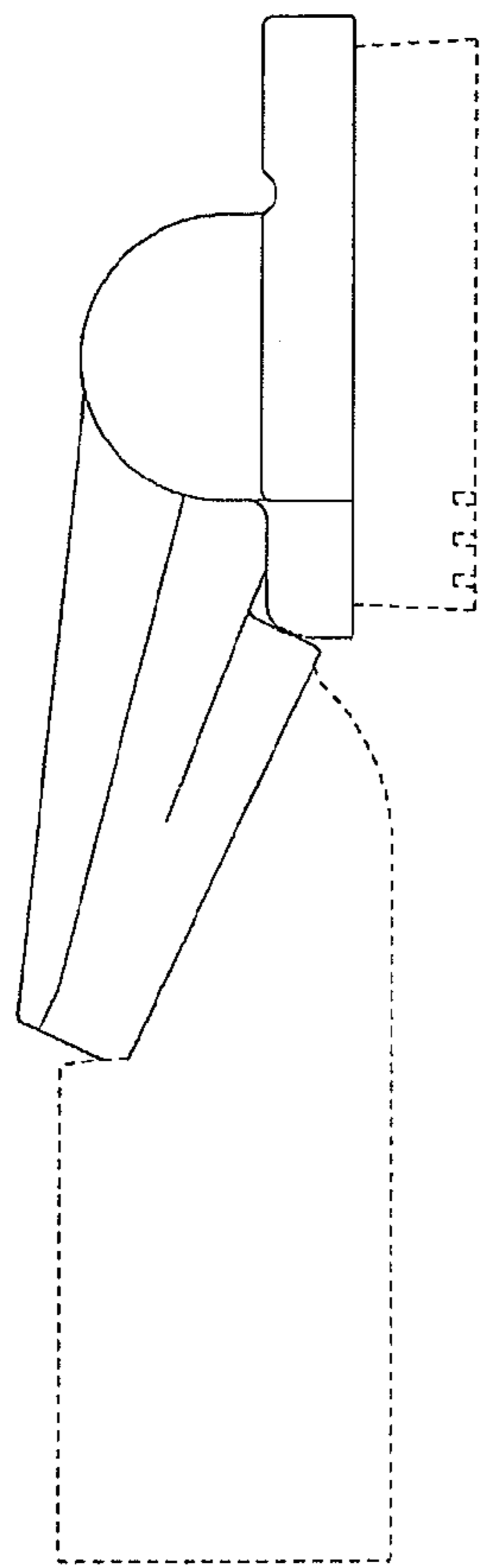


FIG. 4

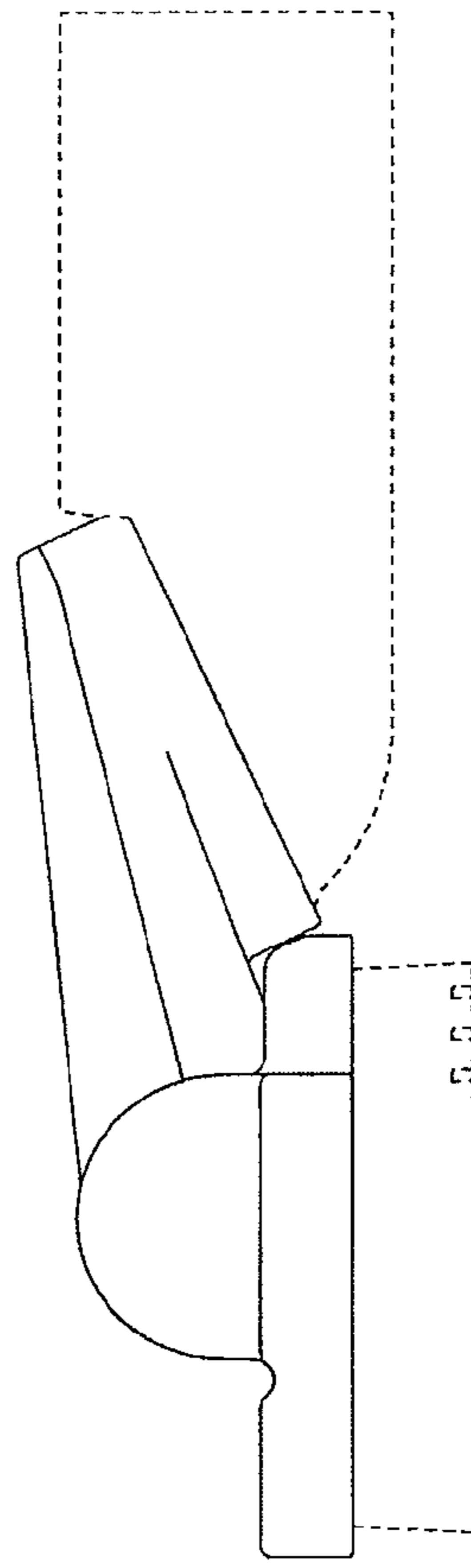


FIG. 5

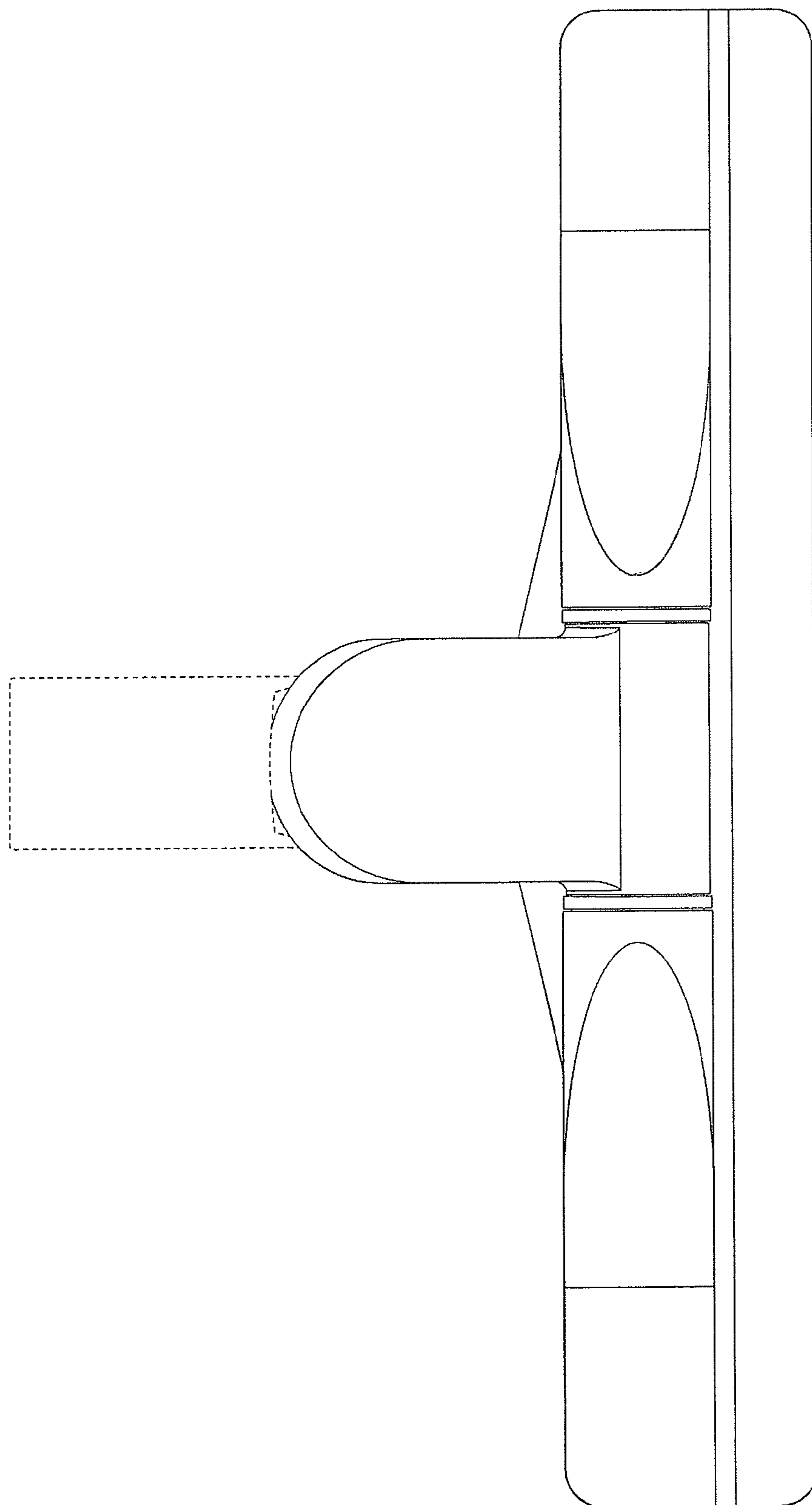


FIG. 6

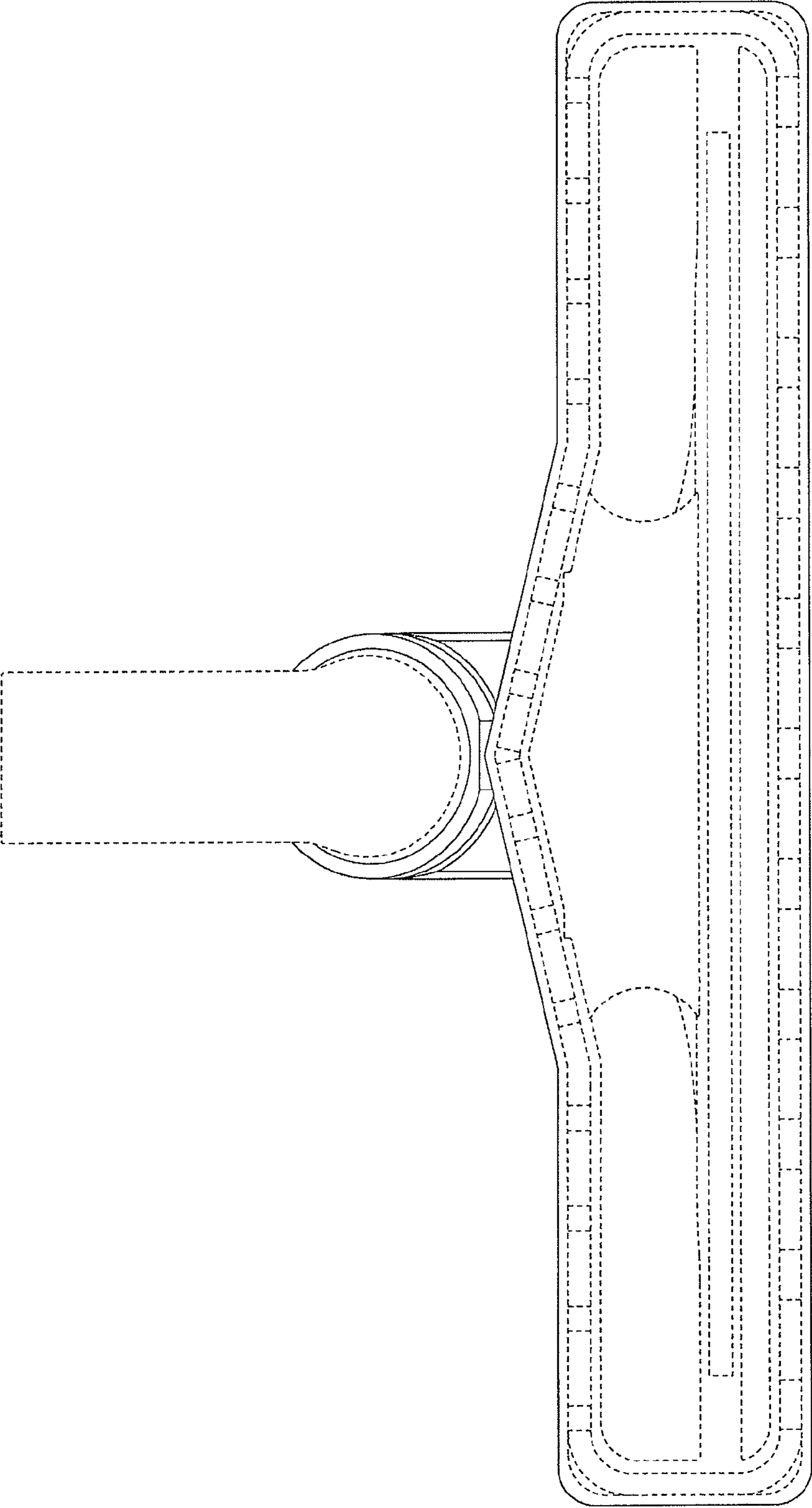


FIG. 7