

US00D643572S

(12) **United States Design Patent**
Lown et al.

(10) **Patent No.:** **US D643,572 S**
(45) **Date of Patent:** **** Aug. 16, 2011**

(54) **LIGHTING FIXTURE**

(75) Inventors: **Charles Edward Lown**, Maybrook, NY (US); **Edward Neil Conathan**, Sangerties, NY (US); **Daniel Frederick Nesbitt**, Cincinnati, OH (US)

(73) Assignee: **LSI Industries, Inc.**, Cincinnati, OH (US)

(**) Term: **14 Years**

(21) Appl. No.: **29/382,549**

(22) Filed: **Jan. 5, 2011**

Related U.S. Application Data

(62) Division of application No. 29/353,571, filed on Jan. 11, 2010, now Pat. No. Des. 632,832, which is a division of application No. 29/304,480, filed on Mar. 3, 2008, now Pat. No. Des. 609,854.

(51) **LOC (9) Cl.** **26-99**

(52) **U.S. Cl.** **D26/120**

(58) **Field of Classification Search** 362/101, 362/34, 346, 223, 294, 549, 109, 190, 192, 362/249.02, 246, 221, 222, 224, 249.01, 362/98, 99, 16, 17, 18, 19; D26/125, 49, D26/46, 37, 118, 71, 92, 85, 87, 128, 63, D26/65, 88, 76, 120, 113, 119, 138, 2, 67, D26/72, 93, 123, 129, 130, 24, 107, 108, D26/62, 109, 51, 127, 122, 131, 140, 141, D26/142, 143, 144, 145, 58, 60, 68; D13/179, D13/180; D23/411; 424/401, 402, 403, 424/404, 405; D8/353; 248/158, 122.1; D25/124; D16/135, 131, 244, 136; D15/90; 359/801, 802, 807, 812; 119/245, 246, 247, 119/253, 256, 266

See application file for complete search history.

(56) **References Cited**

U.S. PATENT DOCUMENTS

D106,873	S	*	11/1937	Stewart	D26/24
D156,743	S	*	1/1950	Kennedy	D26/59
4,277,820	A	*	7/1981	Bostonian	362/223
4,517,631	A	*	5/1985	Mullins	362/346
D300,873	S	*	4/1989	Thompson et al.	D26/74
D301,278	S	*	5/1989	Hughes et al.	D26/78
D351,481	S	*	10/1994	Cole, Jr.	D26/76
D374,301	S	*	10/1996	Kleffman	D26/76
5,988,829	A	*	11/1999	Holder	362/223
6,092,913	A	*	7/2000	Edwards, Jr.	362/260
D496,121	S	*	9/2004	Santoro	D26/74
D541,468	S	*	4/2007	Mayfield et al.	D26/120
D545,483	S	*	6/2007	Mayfield et al.	D26/118
D545,991	S	*	7/2007	Mayfield et al.	D26/118
D545,992	S	*	7/2007	Mayfield et al.	D26/118
D545,993	S	*	7/2007	Mayfield et al.	D26/118

(Continued)

Primary Examiner — Cathron C. Brooks

Assistant Examiner — Kevin Rudzinski

(74) *Attorney, Agent, or Firm* — Hasse & Nesbitt LLC; Daniel F. Nesbitt

(57) **CLAIM**

We claim the ornamental design for a lighting fixture, as shown and described.

DESCRIPTION

FIG. 1 shows a bottom perspective view of the lighting fixture of the invention.

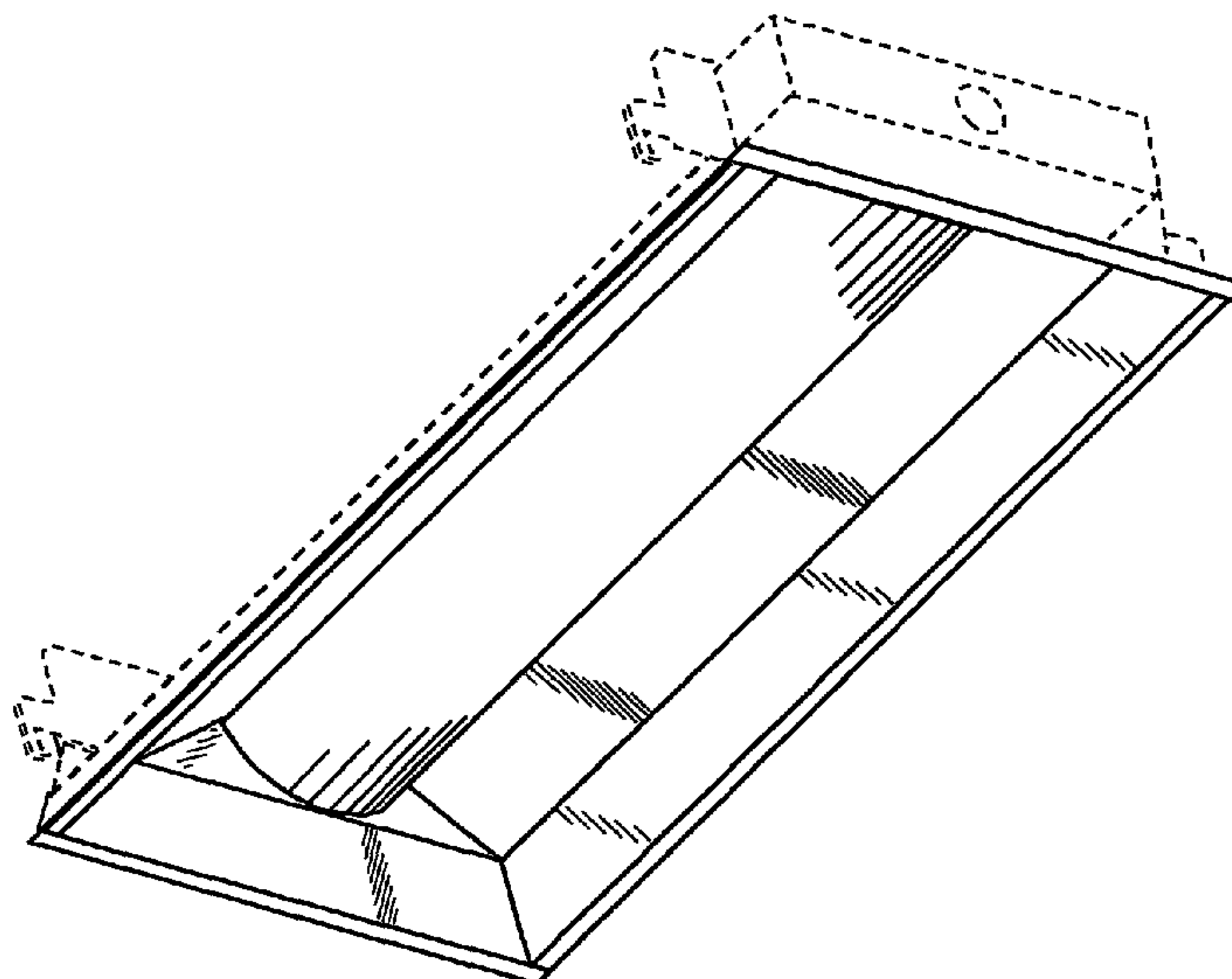
FIG. 2 shows a bottom view of the lighting fixture of FIG. 1.

FIG. 3 shows a top view of the lighting fixture of FIG. 1.

FIG. 4 shows a front elevation view of the lighting fixture of FIG. 1, where the rear elevation view is identical thereto; and, FIG. 5 shows a right side elevation view of the lighting fixture of FIG. 1, where the left side elevation view is identical thereto.

The broken lines in the drawings illustrate unclaimed portions of the lighting fixture and form no part of the claimed design.

1 Claim, 2 Drawing Sheets



US D643,572 S

Page 2

U.S. PATENT DOCUMENTS

D553,781	S	*	10/2007	Pickard et al.	D26/74	D608,932	S	*	1/2010	Castelli	D26/76
7,296,910	B2	*	11/2007	Mayfield et al.	362/217.05	D617,487	S	*	6/2010	Fowler et al.	D26/76
D561,930	S	*	2/2008	Hukle et al.	D26/120	2007/0183148	A1	*	8/2007	Mayfield et al.	362/223
D593,697	S	*	6/2009	Liu et al.	D26/74	2007/0211457	A1	*	9/2007	Mayfield et al.	362/223
D597,241	S	*	7/2009	Fabbri et al.	D26/74	2008/0019126	A1	*	1/2008	Straton et al.	362/218

* cited by examiner

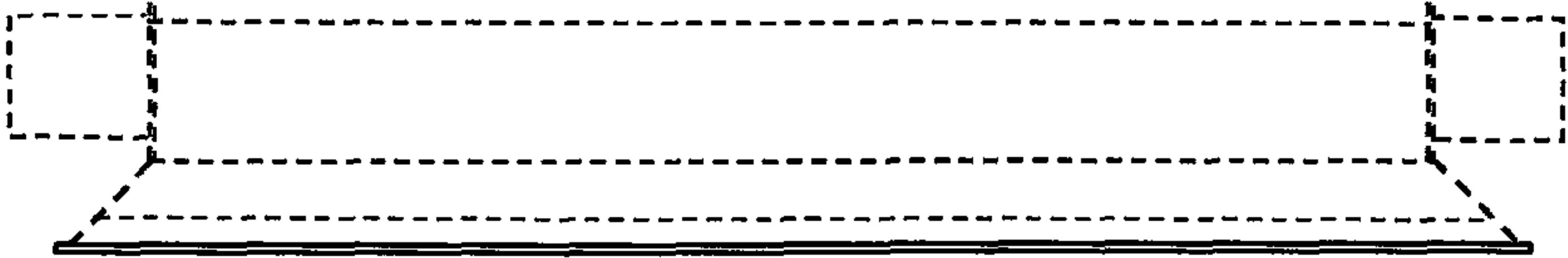


Fig. 5

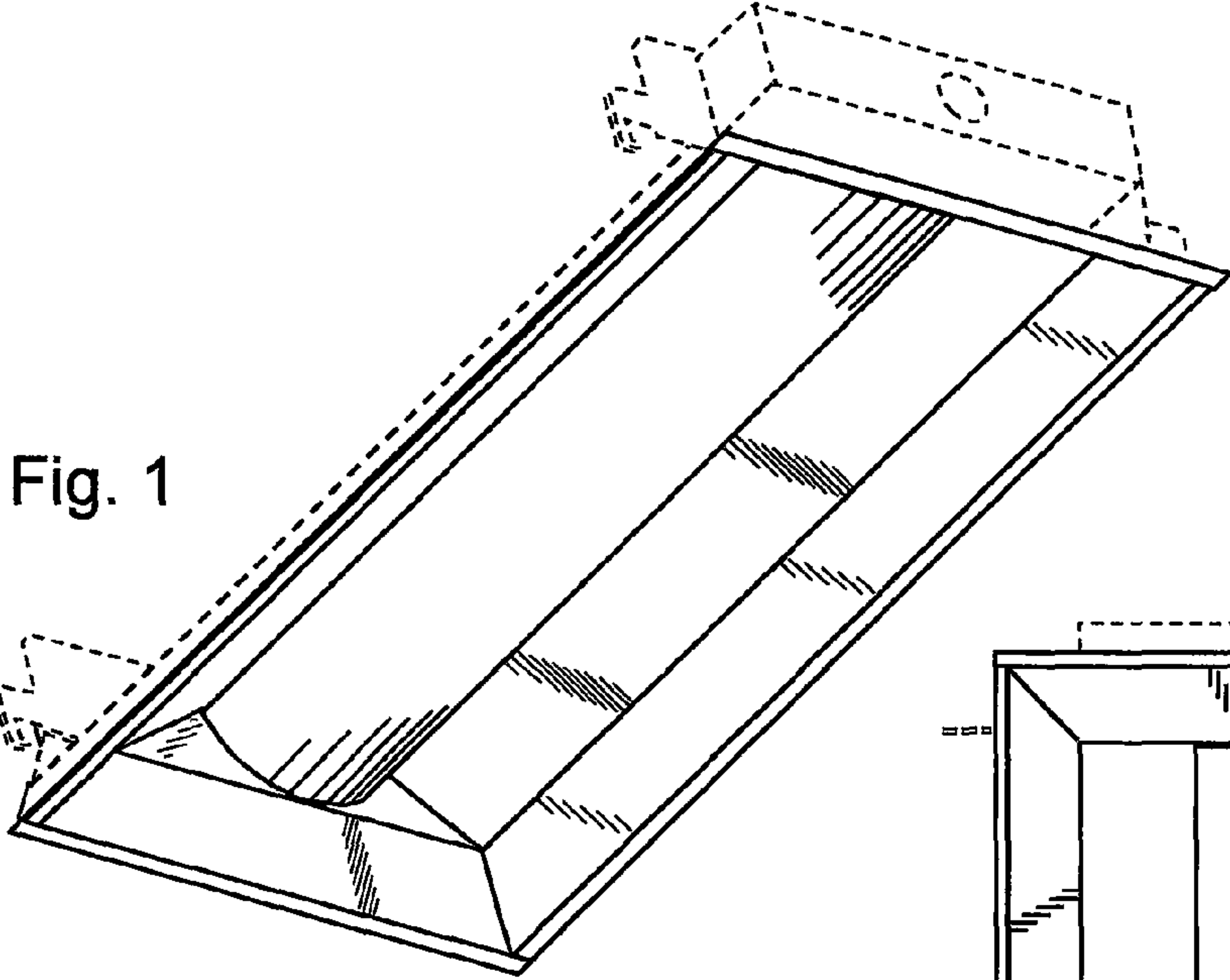


Fig. 1

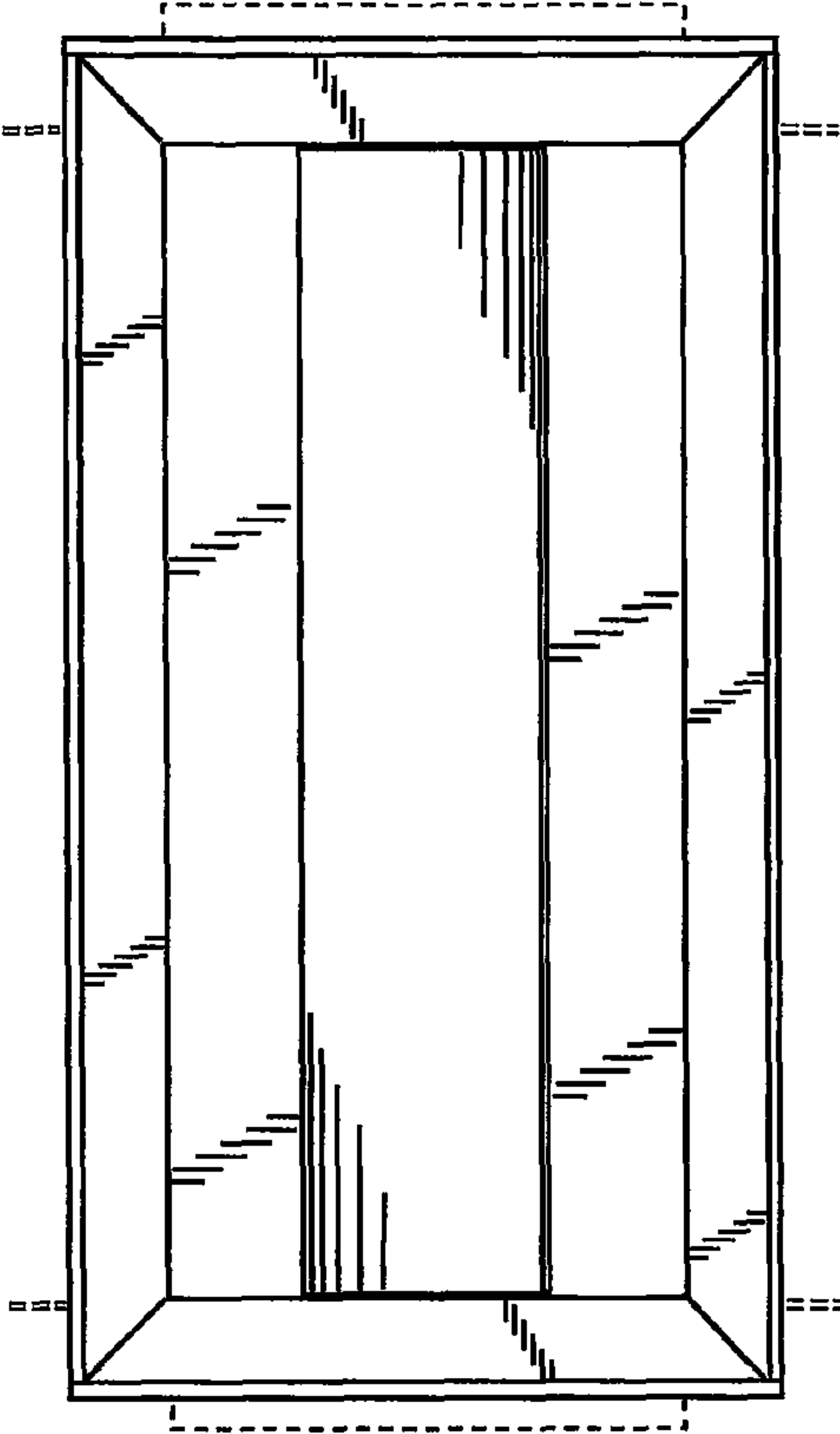


Fig. 2

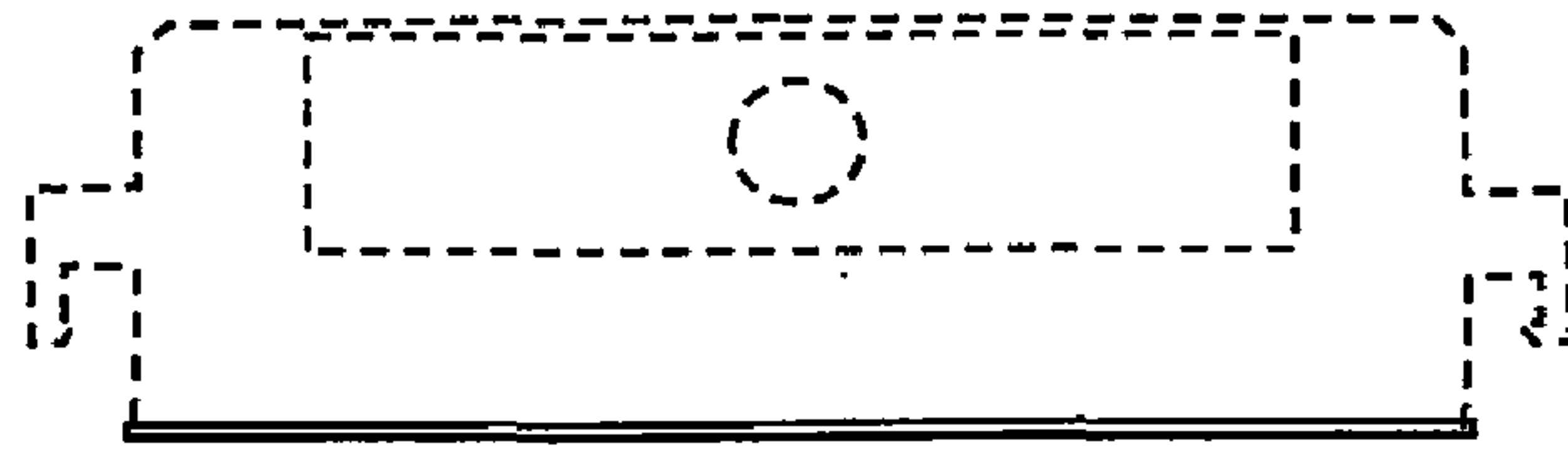


Fig. 4

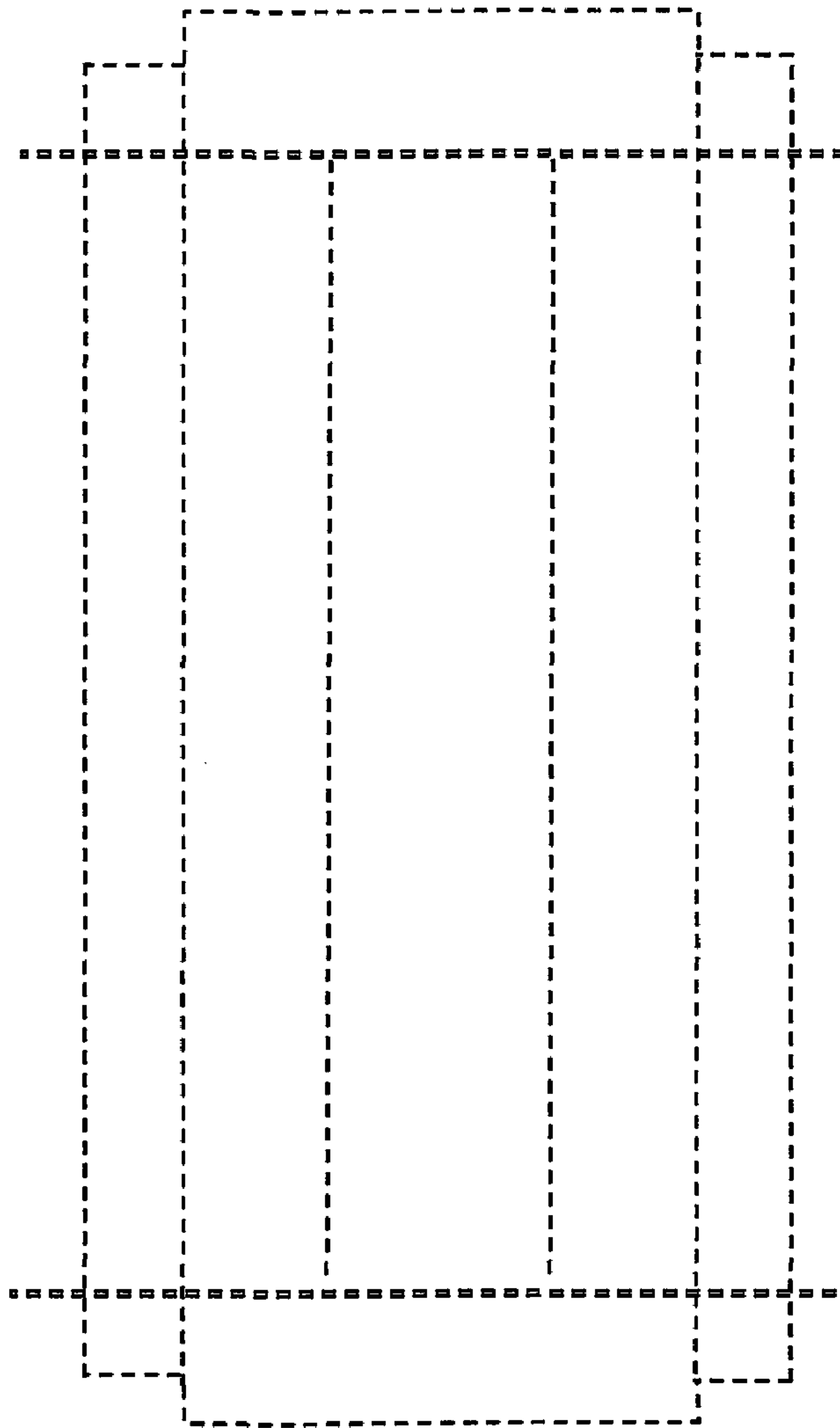


Fig. 3