



US00D643570S

(12) **United States Design Patent**
Lu

(10) **Patent No.:** **US D643,570 S**

(45) **Date of Patent:** **** Aug. 16, 2011**

(54) **LAMPSHADE**

(76) Inventor: **James Lu**, Guangdong Province (CN)

(**) Term: **14 Years**

(21) Appl. No.: **29/353,407**

(22) Filed: **Jan. 8, 2010**

(51) **LOC (9) Cl.** **26-99**

(52) **U.S. Cl.** **D26/118**

(58) **Field of Classification Search** D26/122,
D26/76, 52, 84, 85, 87, 67, 68, 69, 154, 155,
D26/152, 81, 128, 142, 144, 124, 116, 138,
D26/120, 60, 43, 24, 63, 72, 113, 71, 65,
D26/118, 61, 78, 51, 2, 119, 130, 140, 141;
D25/119, 138, 140; 362/147, 297, 84, 362,
362/376, 33, 240, 241, 294, 138, 153.1, 650,
362/257, 341, 351; D16/135; D5/62; D8/370;
160/332; 52/533; D11/79, 90, 9, 8; 431/289;
433/29, 30; D24/158, 209, 210; D13/134,
D13/179, 180; 257/712; 359/809

See application file for complete search history.

(56) **References Cited**

U.S. PATENT DOCUMENTS

D229,231 S *	11/1973	Beeren	D16/135
4,380,790 A *	4/1983	Saferstein et al.	362/231
D275,037 S *	8/1984	Saferstein et al.	D26/51
D276,940 S *	12/1984	Andersson	D16/135
D284,087 S *	6/1986	Haidinger	D16/135
4,796,162 A *	1/1989	Krogsrud	362/33
D309,661 S *	7/1990	Shwisha	D26/51

D334,759 S *	4/1993	Meyer et al.	D16/135
D339,649 S *	9/1993	Klossner	D26/63
D348,742 S *	7/1994	Rorke et al.	D26/51
D382,577 S *	8/1997	Waldmann	D16/135
D457,671 S *	5/2002	Jacquelin	D26/51
D463,054 S *	9/2002	Huang	D26/60
D474,556 S *	5/2003	Huang	D26/60
D483,147 S *	12/2003	Farmer	D26/118
D490,553 S *	5/2004	Waldmann	D26/61
D526,673 S *	8/2006	Hodgson	D16/135
D558,371 S *	12/2007	Meda et al.	D26/62
D597,238 S *	7/2009	Lu et al.	D26/61
D597,239 S *	7/2009	Hodgson	D26/65
D597,240 S *	7/2009	Hodgson	D26/65

* cited by examiner

Primary Examiner — Cathron Brooks

Assistant Examiner — Kevin Rudzinski

(57) **CLAIM**

The ornamental design for a lampshade, as shown and described.

DESCRIPTION

FIG. 1 is a front elevational view of a lampshade showing my new design;

FIG. 2 is a rear elevational view thereof;

FIG. 3 is a left side view thereof;

FIG. 4 is a right side view thereof;

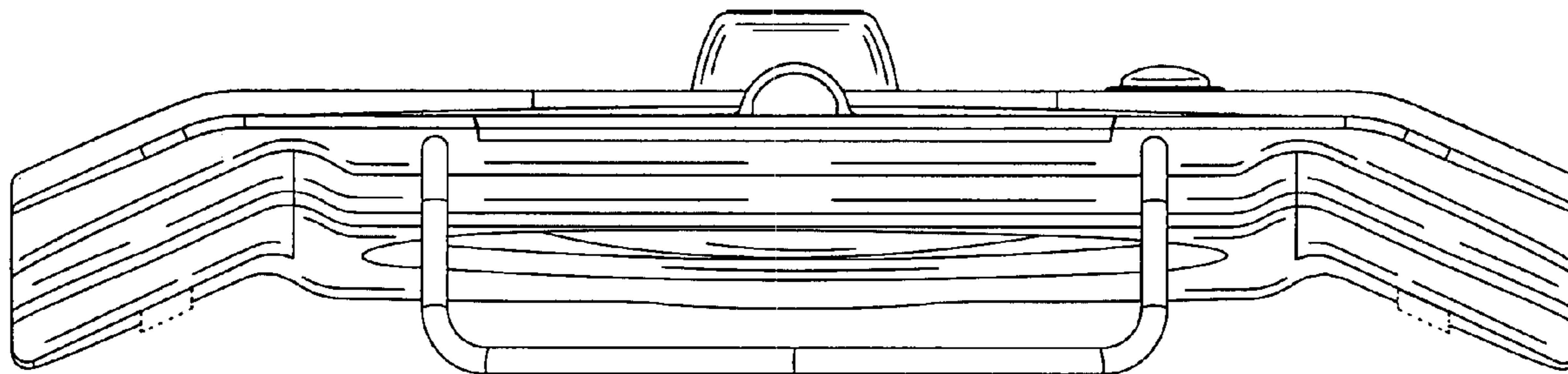
FIG. 5 is a top plan view thereof;

FIG. 6 is a bottom plan view thereof; and,

FIG. 7 is a perspective view thereof.

The broken lines shown form no part of the claimed design.

1 Claim, 7 Drawing Sheets



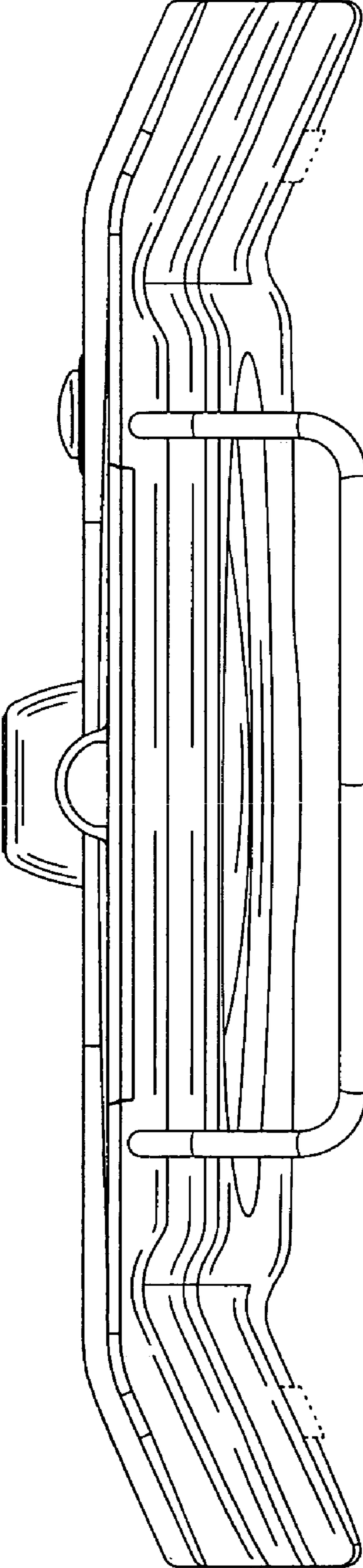


FIG. 1

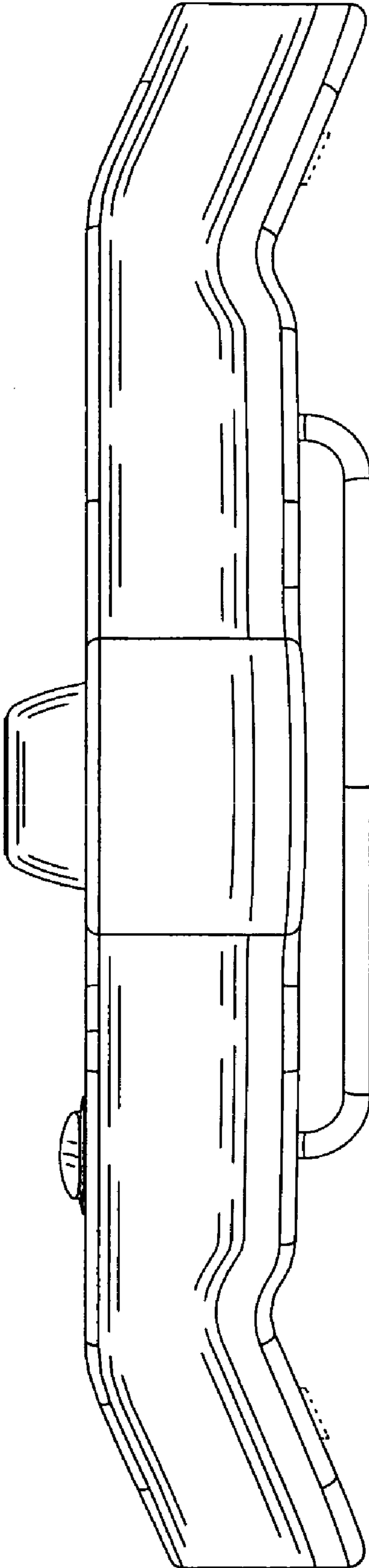


FIG. 2

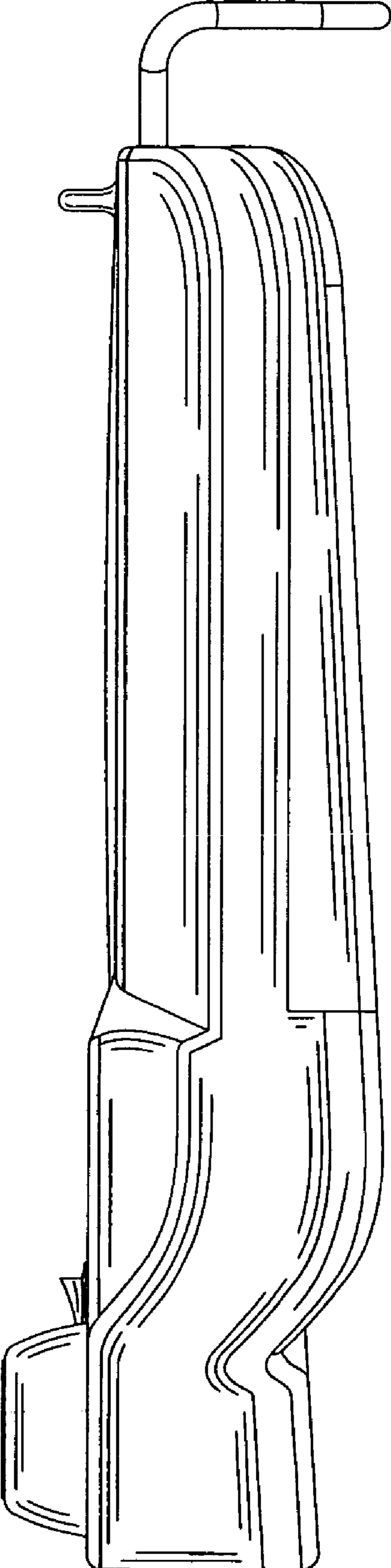


FIG. 3

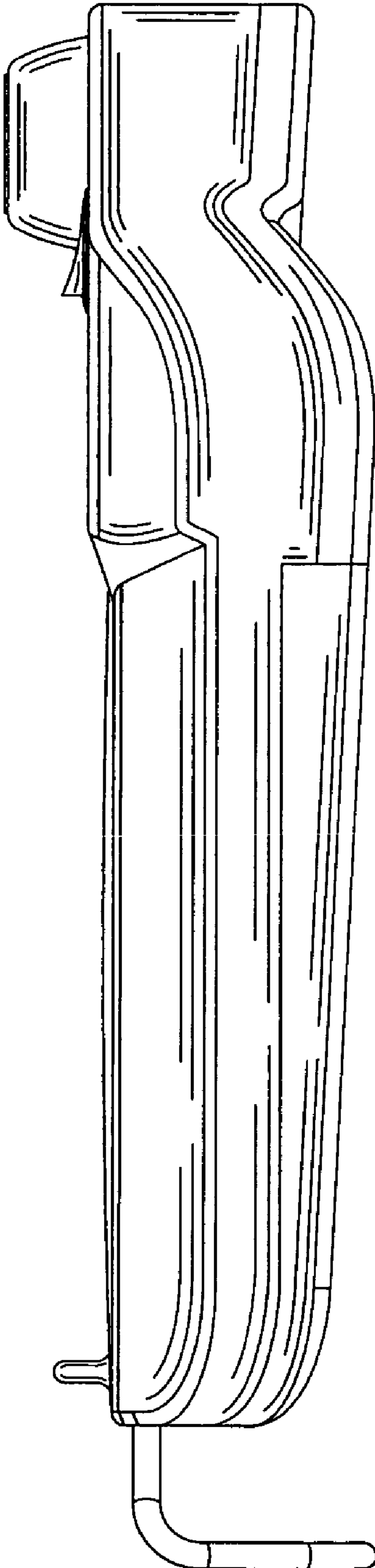


FIG. 4

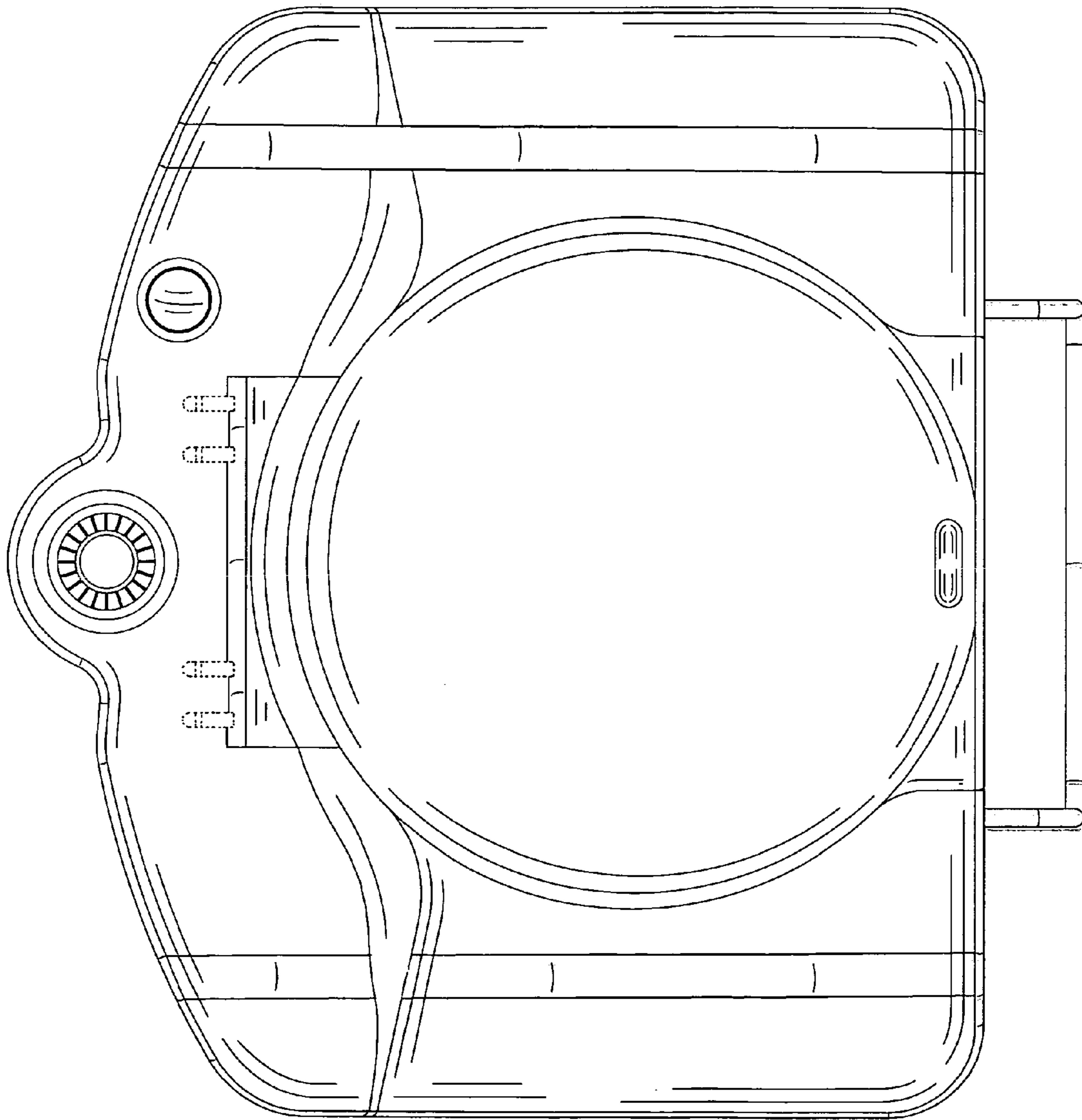


FIG. 5

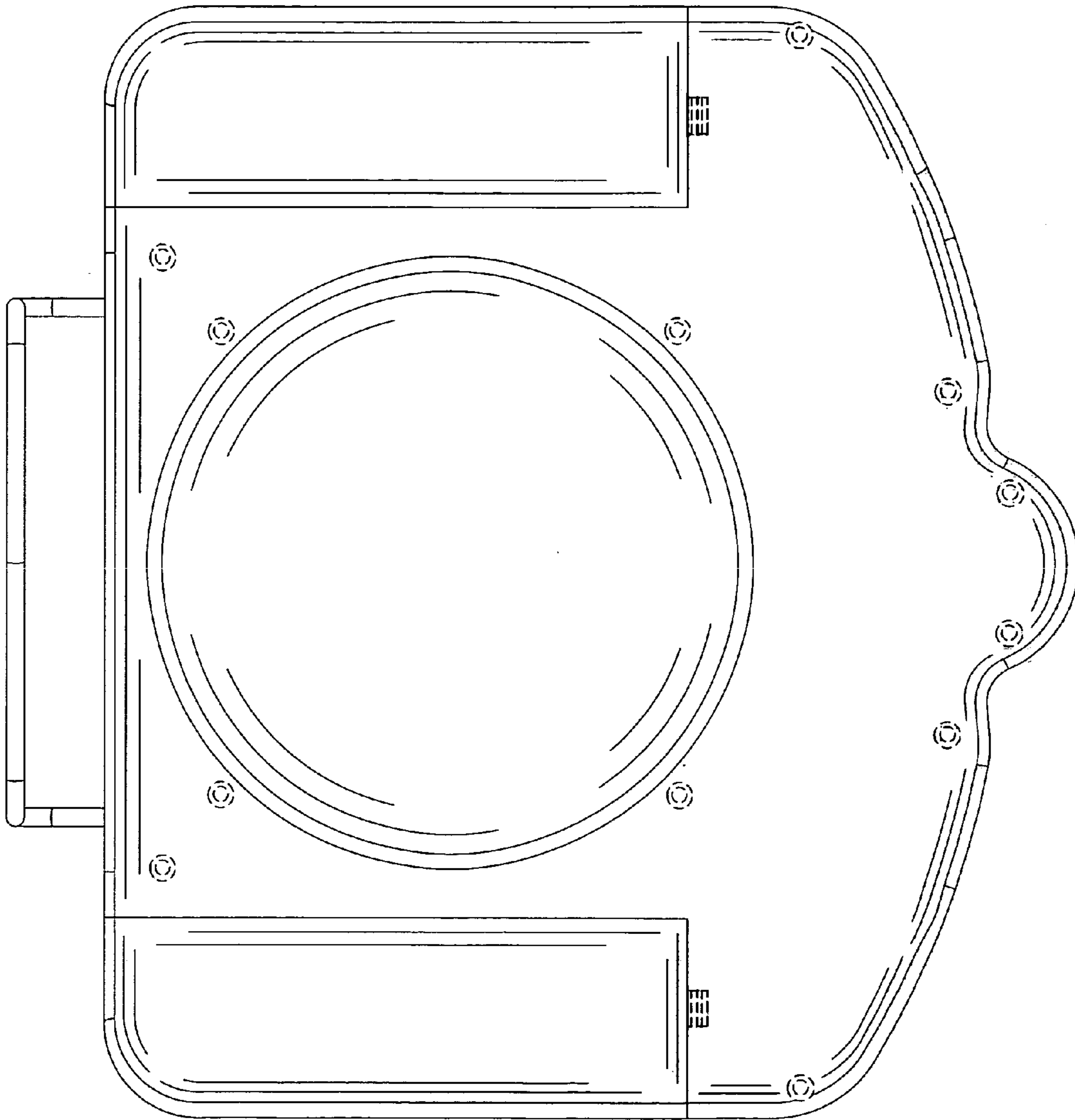


FIG. 6

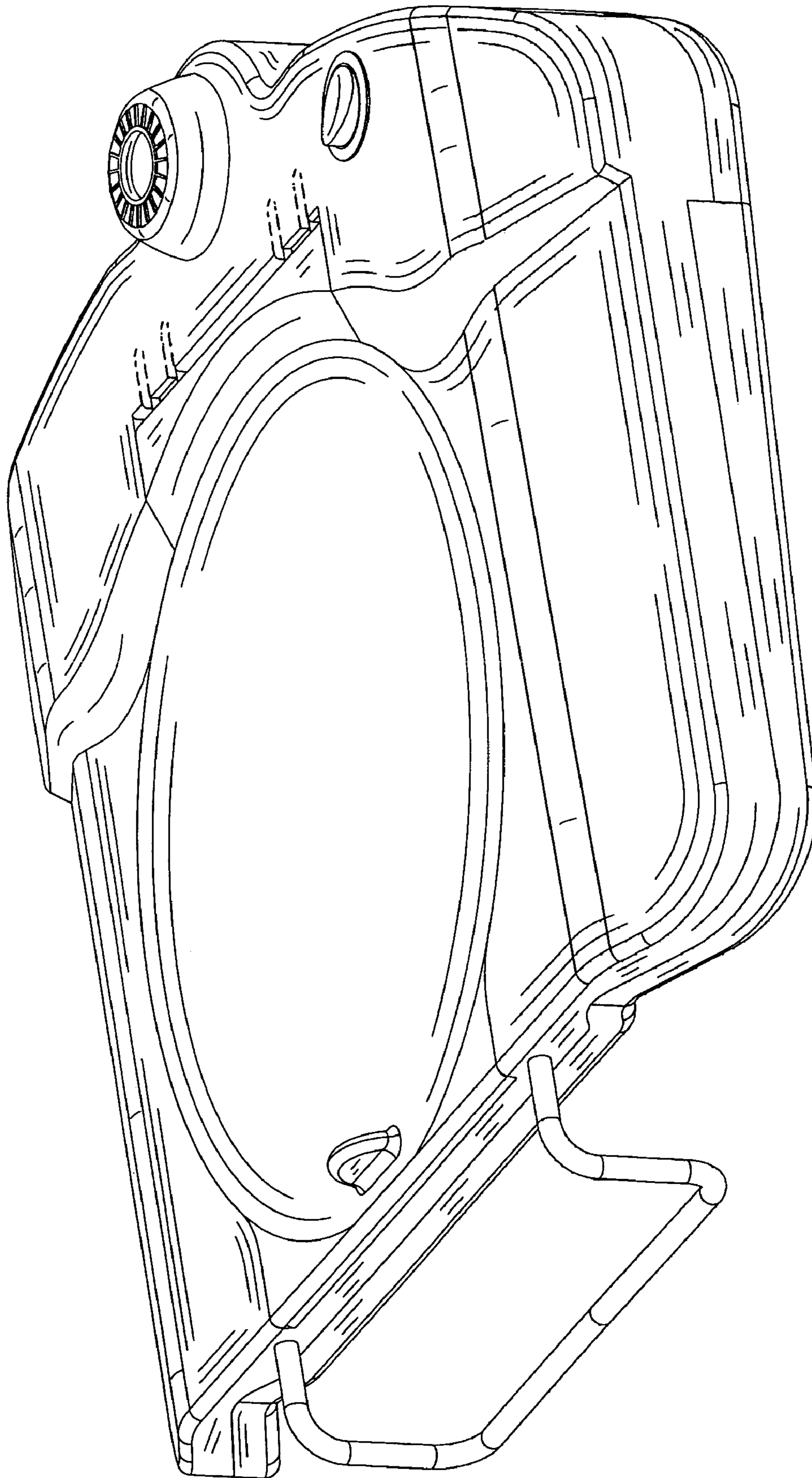


FIG. 7