



US00D643567S

(12) **United States Design Patent**
Gutting

(10) **Patent No.:** **US D643,567 S**

(45) **Date of Patent:** **** Aug. 16, 2011**

(54) **LUMINAIRE**

(75) Inventor: **David James Gutting**, Richmond, CA (US)

(73) Assignee: **Cooper Technologies Company**, Houston, TX (US)

(**) Term: **14 Years**

(21) Appl. No.: **29/388,023**

(22) Filed: **Mar. 23, 2011**

Related U.S. Application Data

(62) Division of application No. 29/375,195, filed on Sep. 17, 2010.

(51) **LOC (9) Cl.** **26-03**

(52) **U.S. Cl.** **D26/88**

(58) **Field of Classification Search** D26/85,
D26/87, 88, 90, 91, 118, 128-130, 137, 144;
362/147, 404-408, 431, 432

See application file for complete search history.

(56) **References Cited**

U.S. PATENT DOCUMENTS

D79,705 S	10/1929	Flood, Jr.	
D86,313 S	2/1932	Hollister	
D160,809 S	* 11/1950	Schear et al.	D26/85
D162,723 S	* 4/1951	Gregg	D26/85
3,222,517 A	12/1965	Peter	
D209,226 S	11/1967	Powers	
D210,015 S	1/1968	Kahn	
D215,171 S	9/1969	Meltzer	
D399,330 S	10/1998	Geier et al.	
D400,287 S	10/1998	Littman et al.	
D439,359 S	3/2001	Feng	
D451,628 S	12/2001	Hutton	
D481,484 S	10/2003	Cuevas et al.	
D482,158 S	11/2003	Velikov et al.	
6,921,186 B1	7/2005	Viskovich	
D548,386 S	* 8/2007	McDowell	D26/118
D548,387 S	8/2007	McDowell	
D557,451 S	12/2007	McDowell	
D561,928 S	2/2008	Silver	

D563,590 S	3/2008	Hetfield	
D564,696 S	* 3/2008	Hetfield et al.	D26/88
D574,545 S	8/2008	Baldele	
D583,090 S	* 12/2008	Silver	D26/85
D585,583 S	* 1/2009	Campbell	D26/88
D596,335 S	* 7/2009	Sabernig	D26/88
D596,337 S	* 7/2009	Sabernig	D26/88
D596,782 S	7/2009	Silver	
D596,783 S	7/2009	Silver	
D604,452 S	* 11/2009	Smith	D26/118
D620,183 S	* 7/2010	Sabernig	D26/88
D620,184 S	* 7/2010	Sabernig	D26/88
D632,003 S	* 2/2011	Jordan	D26/88

OTHER PUBLICATIONS

Sundborn Collection light fixtures #42185/1 and 42186/1 shown on p. 413 of the E.L.K. Lighting catalog 2900. © 2009. (2 pages).*

Caledon pendant and wall mount shown on pp. 18 and 19 of the Eurofase Illuminations Catalog © 2009. (1 page).*

Saadia pendant on p. 28; and Ayako pendant on p. 29 of the Eurofase Illuminations Catalog © 2009. (1 page).*

Rear cover of the Eurofase Illuminations catalog. © 2009. (1 page).*

* cited by examiner

Primary Examiner — Clare E Heflin

(74) *Attorney, Agent, or Firm* — King & Spalding LLP

(57) **CLAIM**

The ornamental design for a luminaire, as shown and described.

DESCRIPTION

FIG. 1 is a perspective view of a luminaire showing my new design;

FIG. 2 is a front elevation view thereof. The rear elevation view of the luminaire is identical;

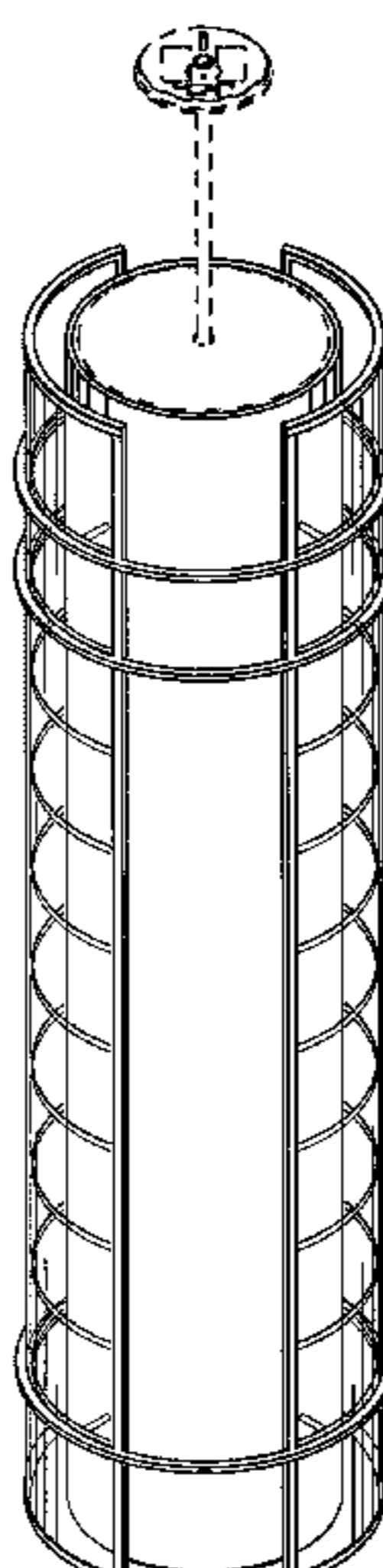
FIG. 3 is a right-side elevation view thereof. The left-side elevation view of the luminaire is identical;

FIG. 4 is a bottom plan view thereof; and,

FIG. 5 is a top plan view thereof.

The broken lines shown represent unclaimed subject matter and form no part of the claimed design.

1 Claim, 5 Drawing Sheets



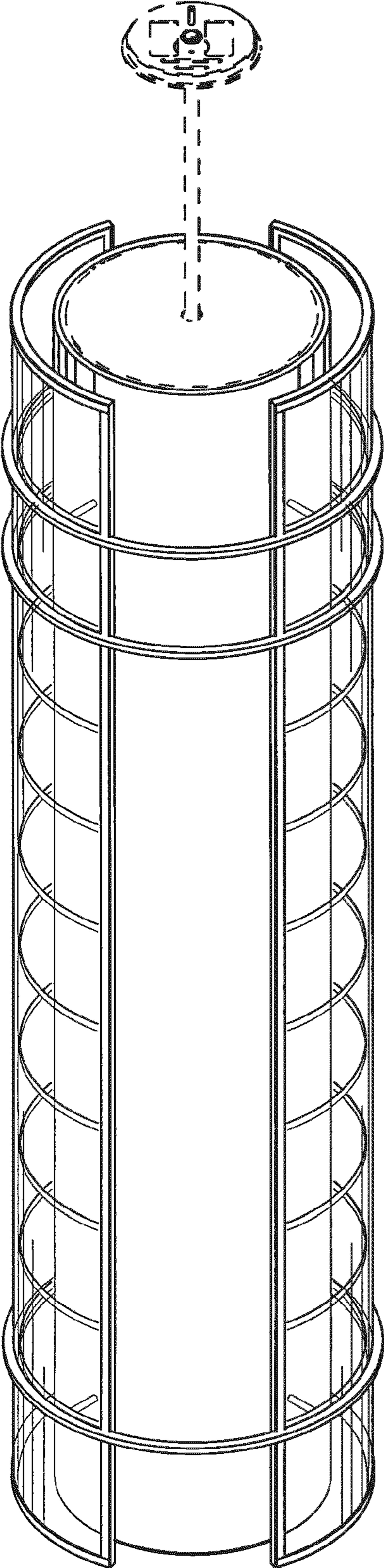


FIG.1

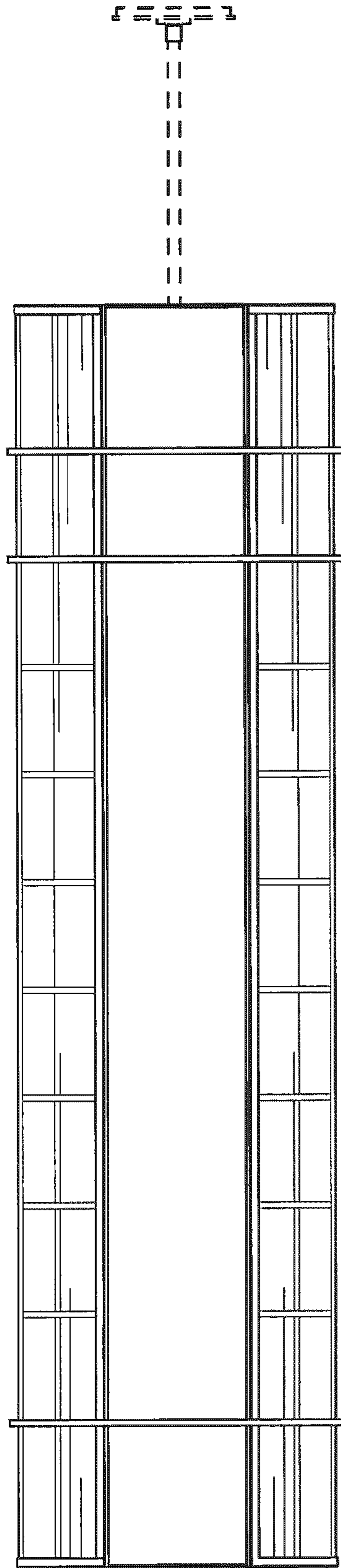


FIG.2

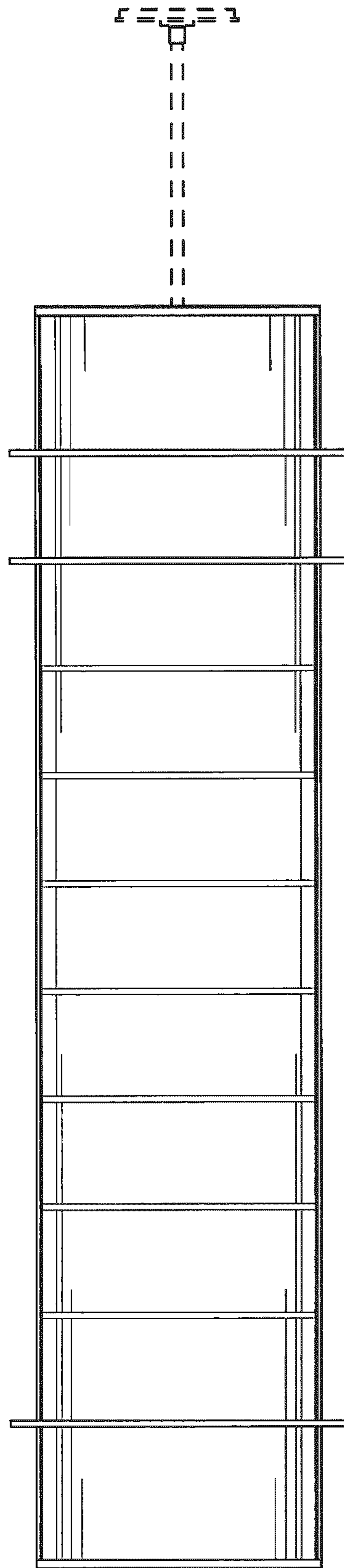


FIG.3

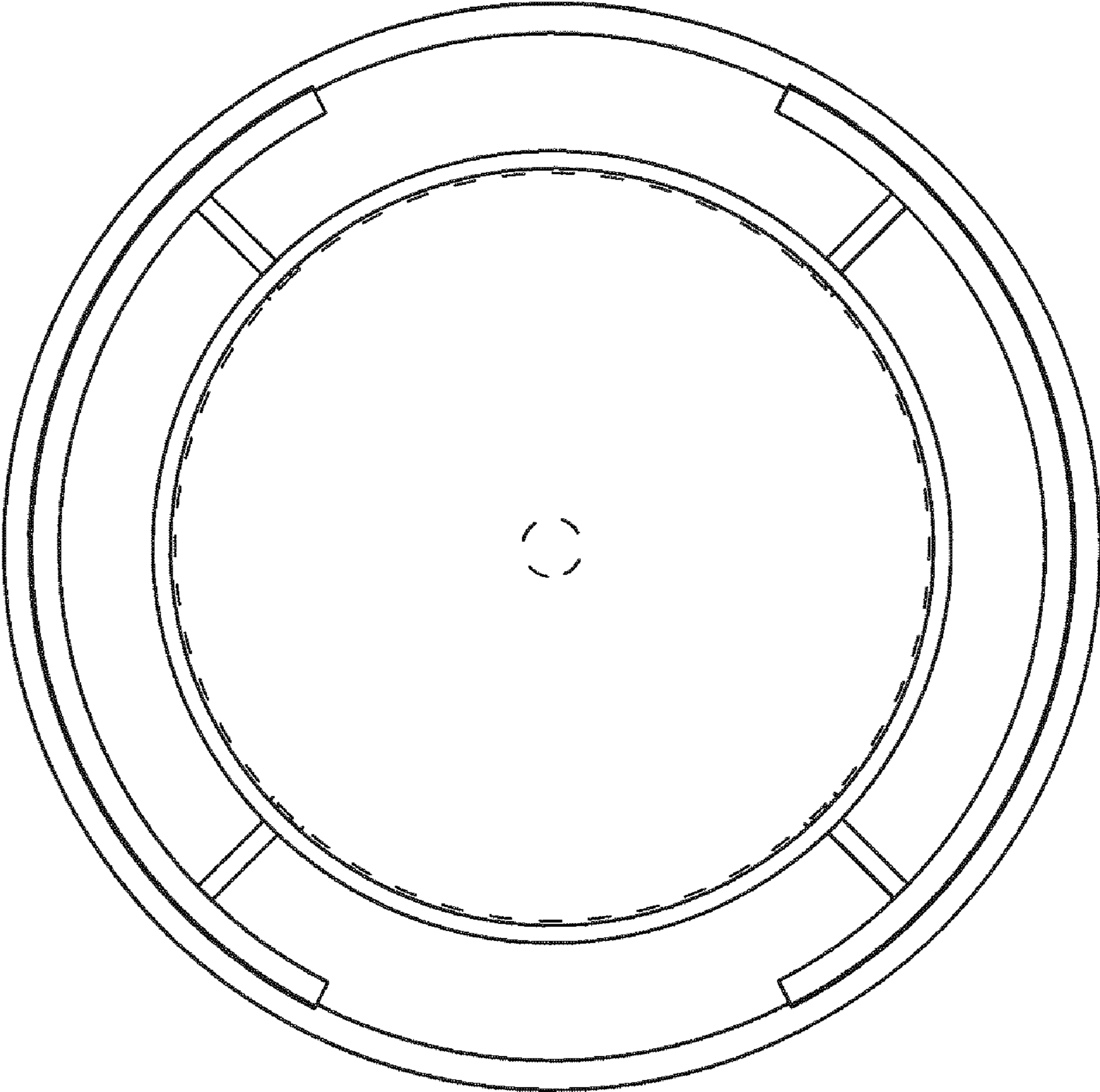


FIG.4

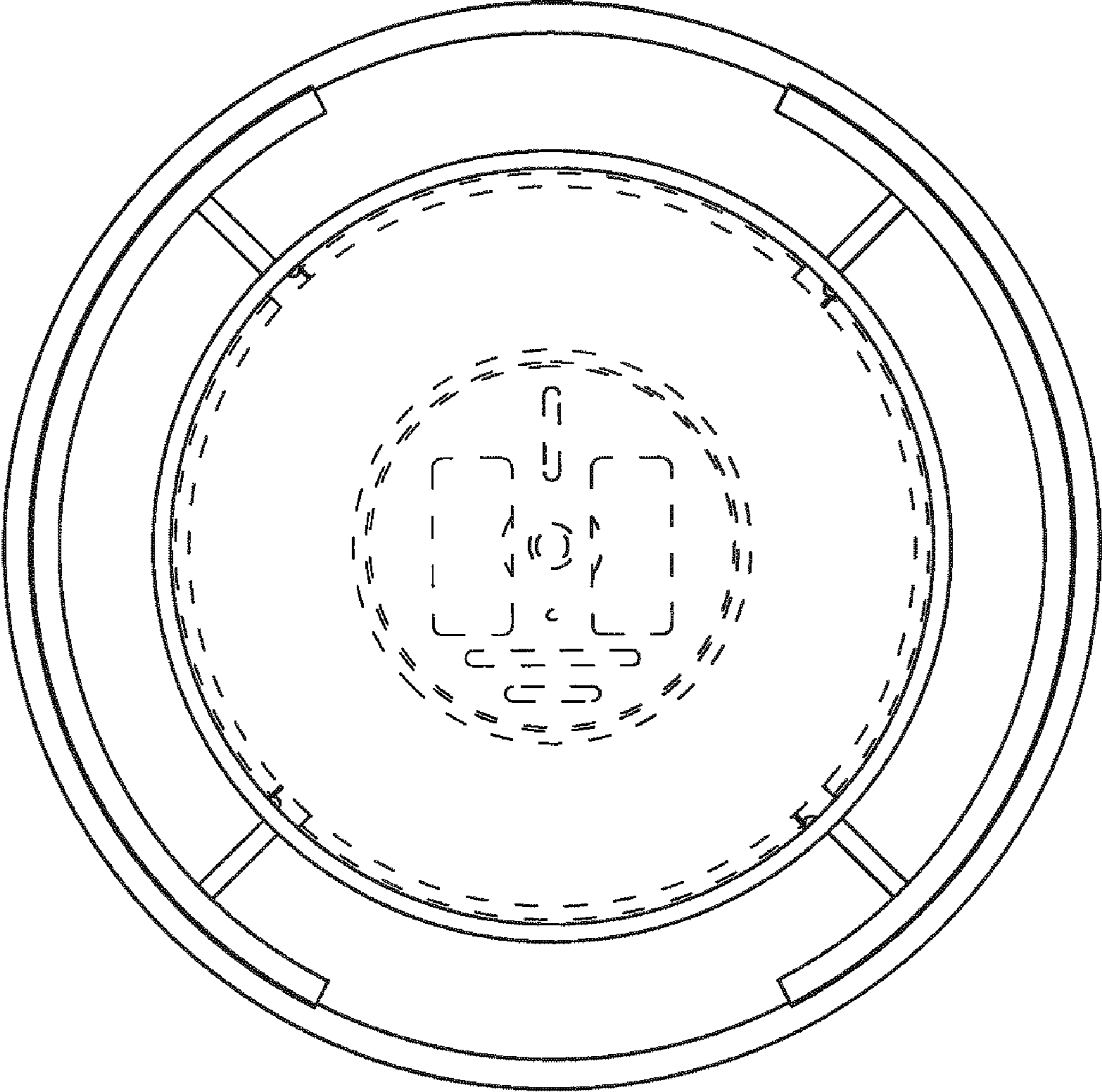


FIG.5