



US00D643566S

(12) **United States Design Patent**
Hickok et al.

(10) **Patent No.:** **US D643,566 S**

(45) **Date of Patent:** **** *Aug. 16, 2011**

(54) **OLED LUMINAIRE**

(75) Inventors: **John Timothy Hickok**, Social Circle, GA (US); **Peter Y. Y. Ngai**, Alamo, CA (US); **Michael Tran**, Oakland, CA (US); **Darren Blum**, Foster City, CA (US)

(73) Assignee: **ABL IP Holdings, LLC**, Conyers, GA (US)

(*) Notice: This patent is subject to a terminal disclaimer.

(**) Term: **14 Years**

(21) Appl. No.: **29/361,265**

(22) Filed: **May 7, 2010**

(51) **LOC (9) Cl.** **26-03**

(52) **U.S. Cl.** **D26/88; D26/120**

(58) **Field of Classification Search** D26/84-92,
D26/120, 128-130; 362/84, 147, 404-408,
362/431, 432

See application file for complete search history.

(56) **References Cited**

U.S. PATENT DOCUMENTS

D185,976	S	*	8/1959	Meyer	D26/122
D192,608	S	*	4/1962	Cooke	D26/76
D203,405	S	*	1/1966	Crawford	D26/90
D205,004	S	*	6/1966	Puszka	D26/122
D215,341	S	*	9/1969	Mulvey et al.	D26/122
4,428,454	A	*	1/1984	Capaul et al.	181/290
D459,014	S	*	6/2002	Chen	D26/85
6,755,550	B1	*	6/2004	Lackey	362/147
6,807,785	B2	*	10/2004	Lynch et al.	52/506.06
6,952,079	B2	*	10/2005	Shiang et al.	313/506
D548,872	S	*	8/2007	Dubbeldam et al.	D26/85
D581,090	S	*	11/2008	Colleran et al.	D26/122
D584,440	S	*	1/2009	Allen	D26/76
D599,948	S	*	9/2009	Ambruster	D26/91

D600,394	S	*	9/2009	Ambruster	D26/91
D600,399	S	*	9/2009	Sonobe	D26/121
D618,842	S	*	6/2010	Ngai et al.	D26/88
D623,793	S	*	9/2010	Ngai et al.	D26/88
D623,795	S	*	9/2010	Ngai et al.	D26/88

* cited by examiner

Primary Examiner — Clare E Heflin

(74) *Attorney, Agent, or Firm* — Beeson Skinner Beverly, LLP

(57) **CLAIM**

The ornamental design for an OLED luminaire, as shown and described.

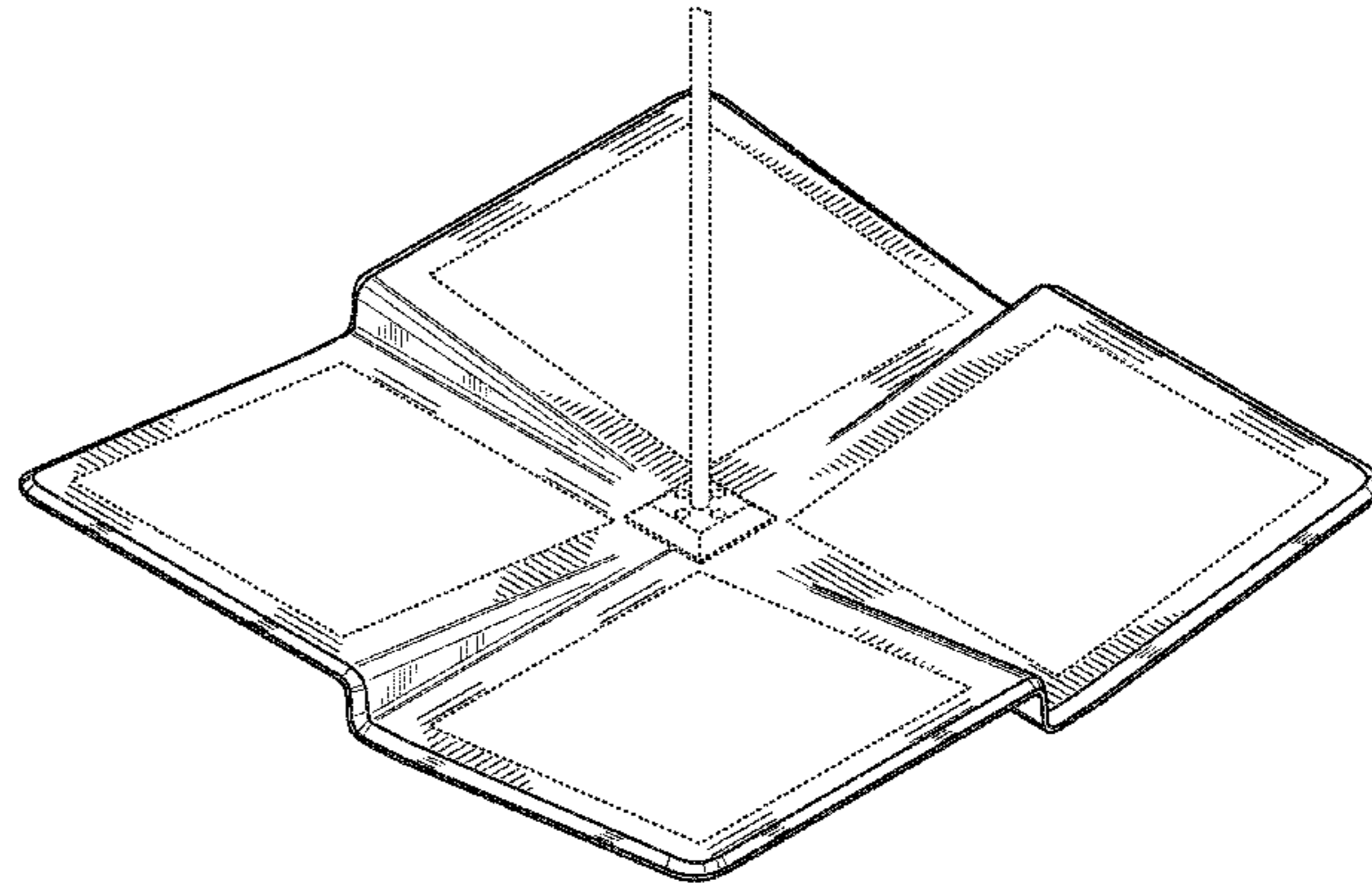
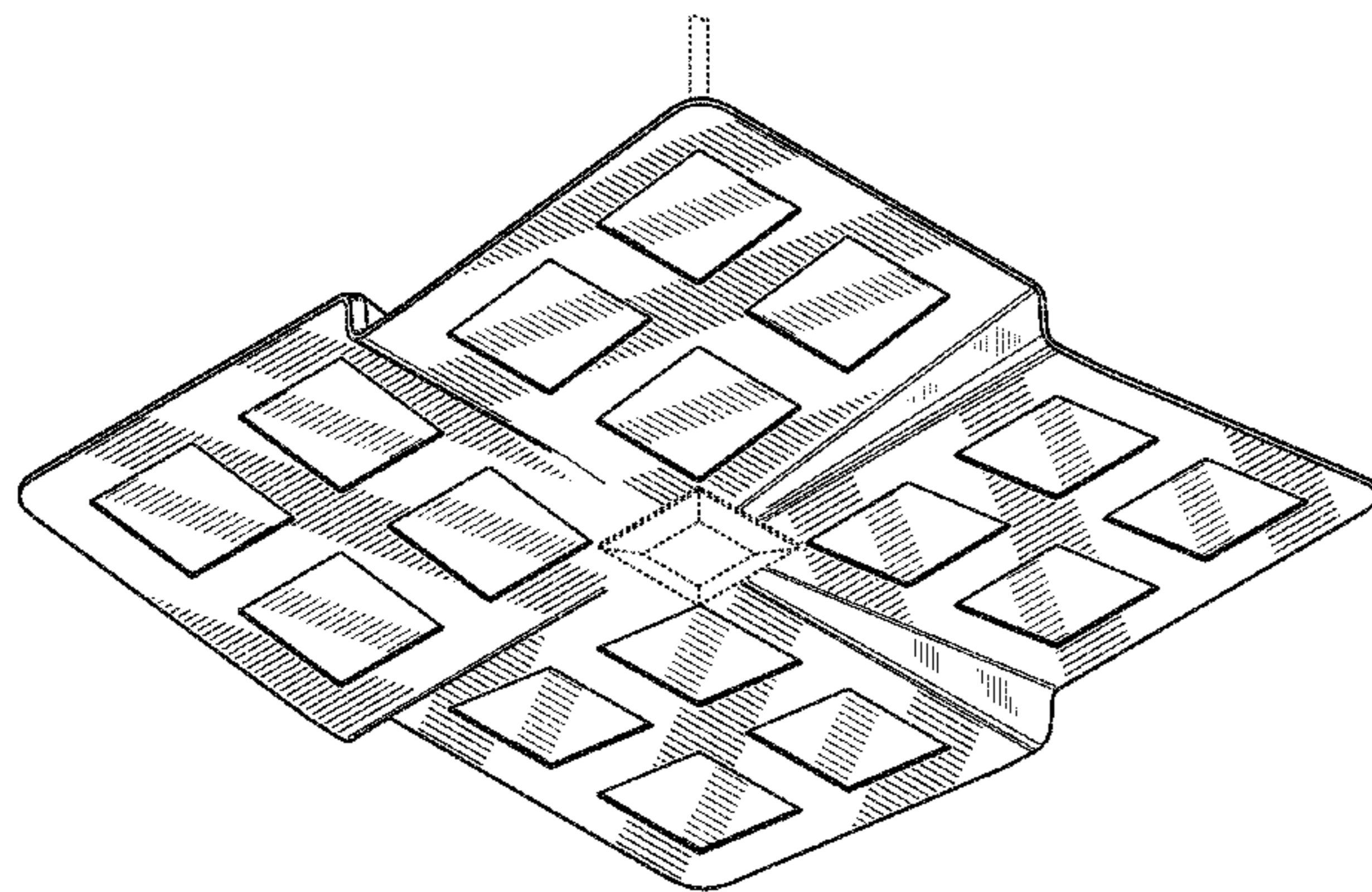
DESCRIPTION

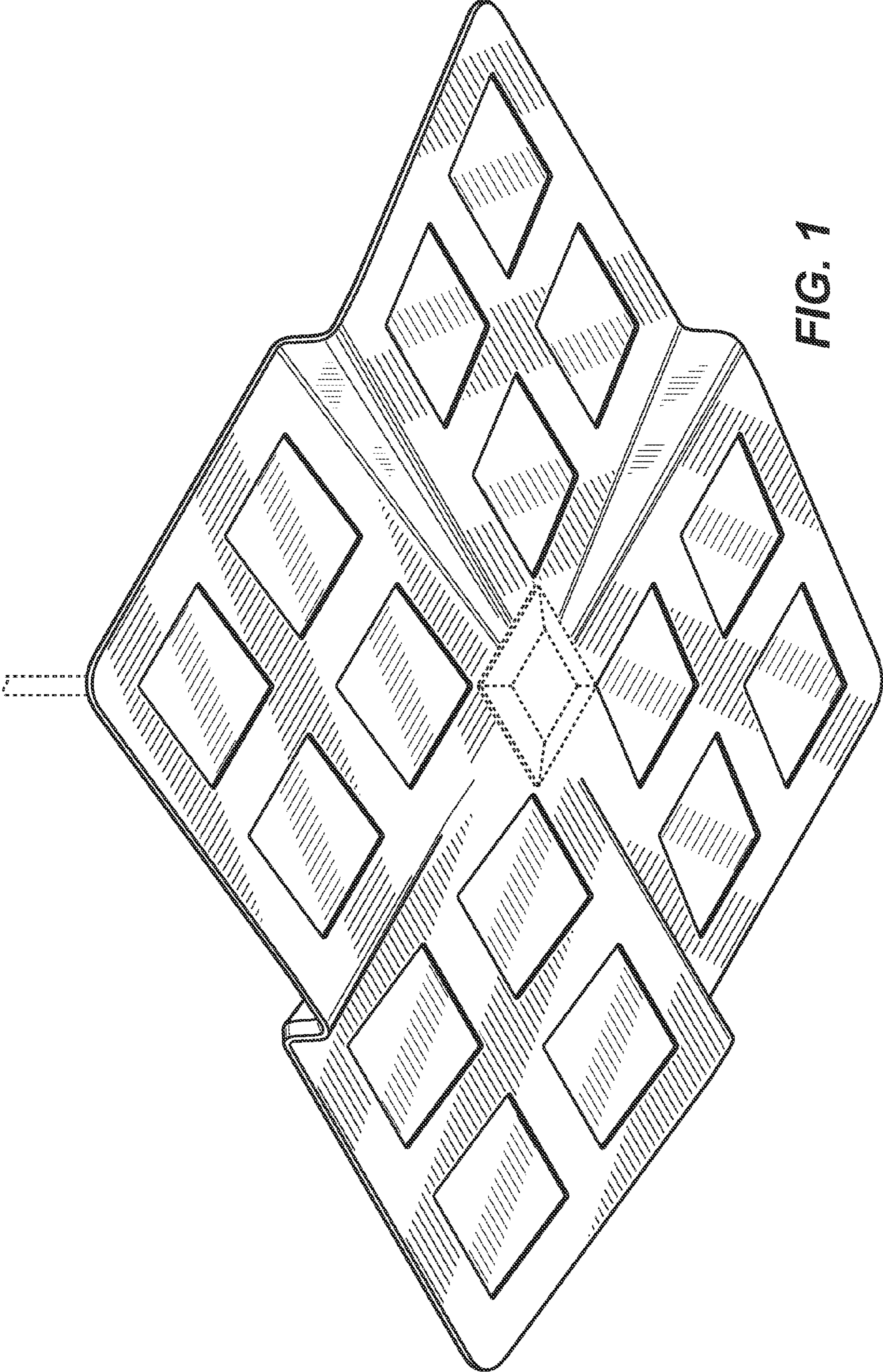
FIG. 1 is a bottom perspective view of an OLED luminaire showing our new design; FIG. 2 is a top perspective view thereof; FIG. 3 is a side elevational view thereof; the other three sides being identical thereto; FIG. 4 is a top plan view thereof; and, FIG. 5 is a bottom plan view thereof.

“OLED” means organic light-emitting diode. The characteristic feature of the design resides in the overall shape of the luminaire in combination with an array of OLED light sources on the bottom of the luminaire. The body of the luminaire can be transparent, translucent, or opaque; or different portions of the luminaire body can be transparent, translucent, or opaque.

The broken line showing of OLED light sources on the bottom of the luminaire, and the broken line showing of suspension elements for the OLED luminaire, are provided for illustrative purposes only and form no part of the claimed design. The broken line squares on top of the luminaire shown in FIGS. 2-4 represent the bounds of the claimed design with the unshaded areas inside the squares forming no part of the claimed design.

1 Claim, 4 Drawing Sheets





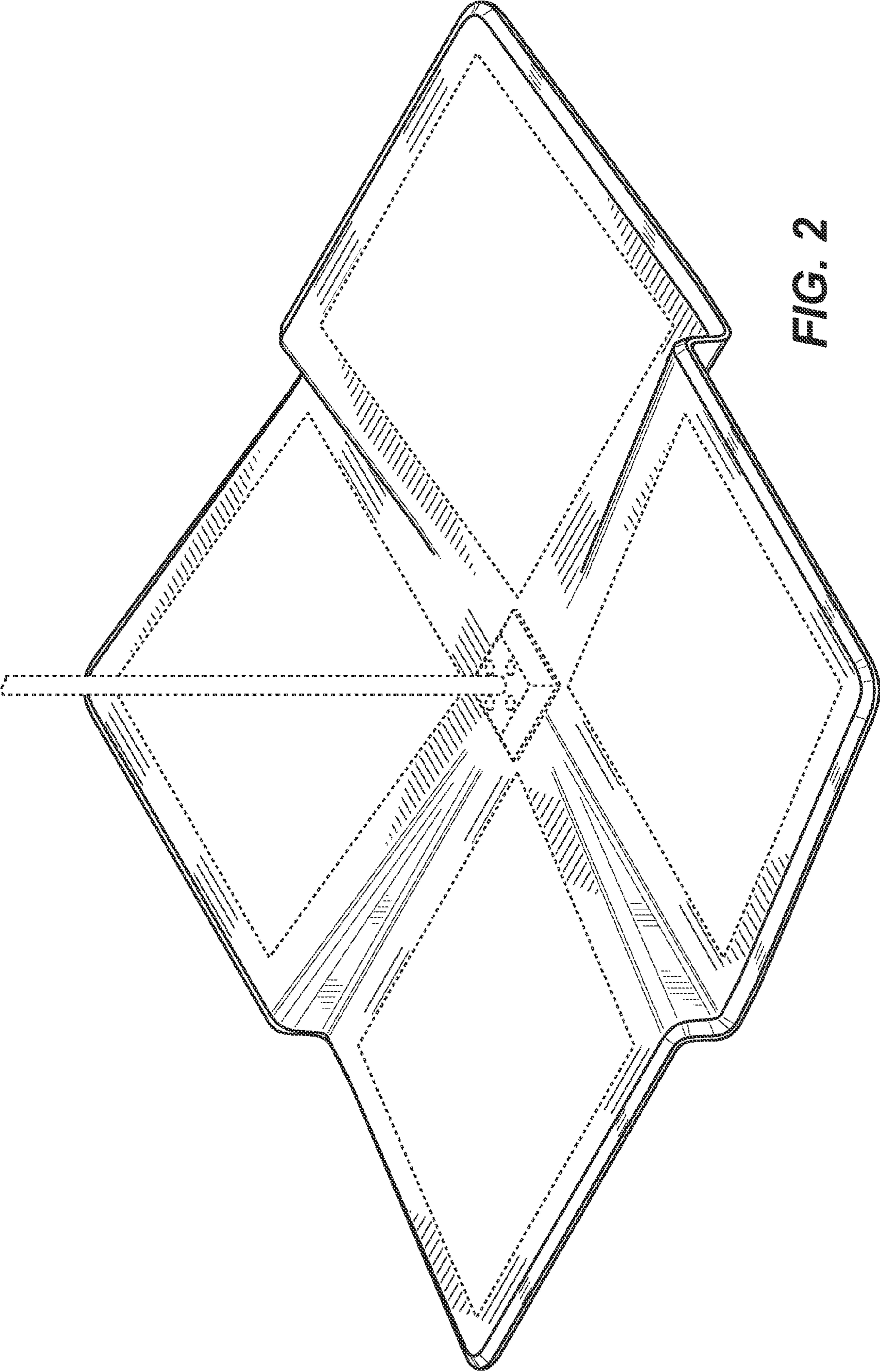


FIG. 2

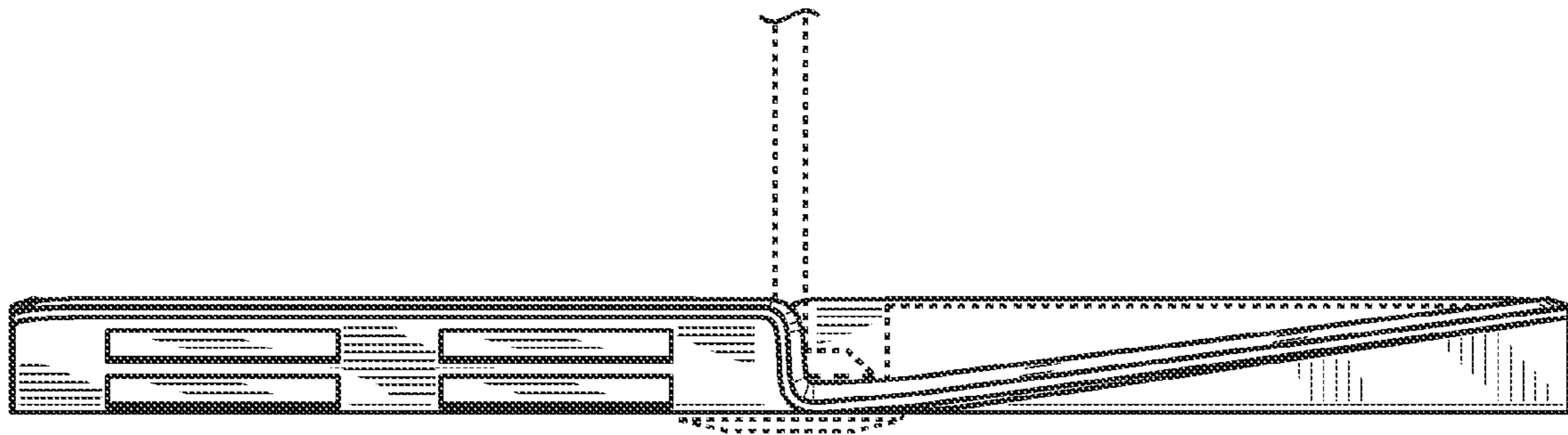


FIG. 3

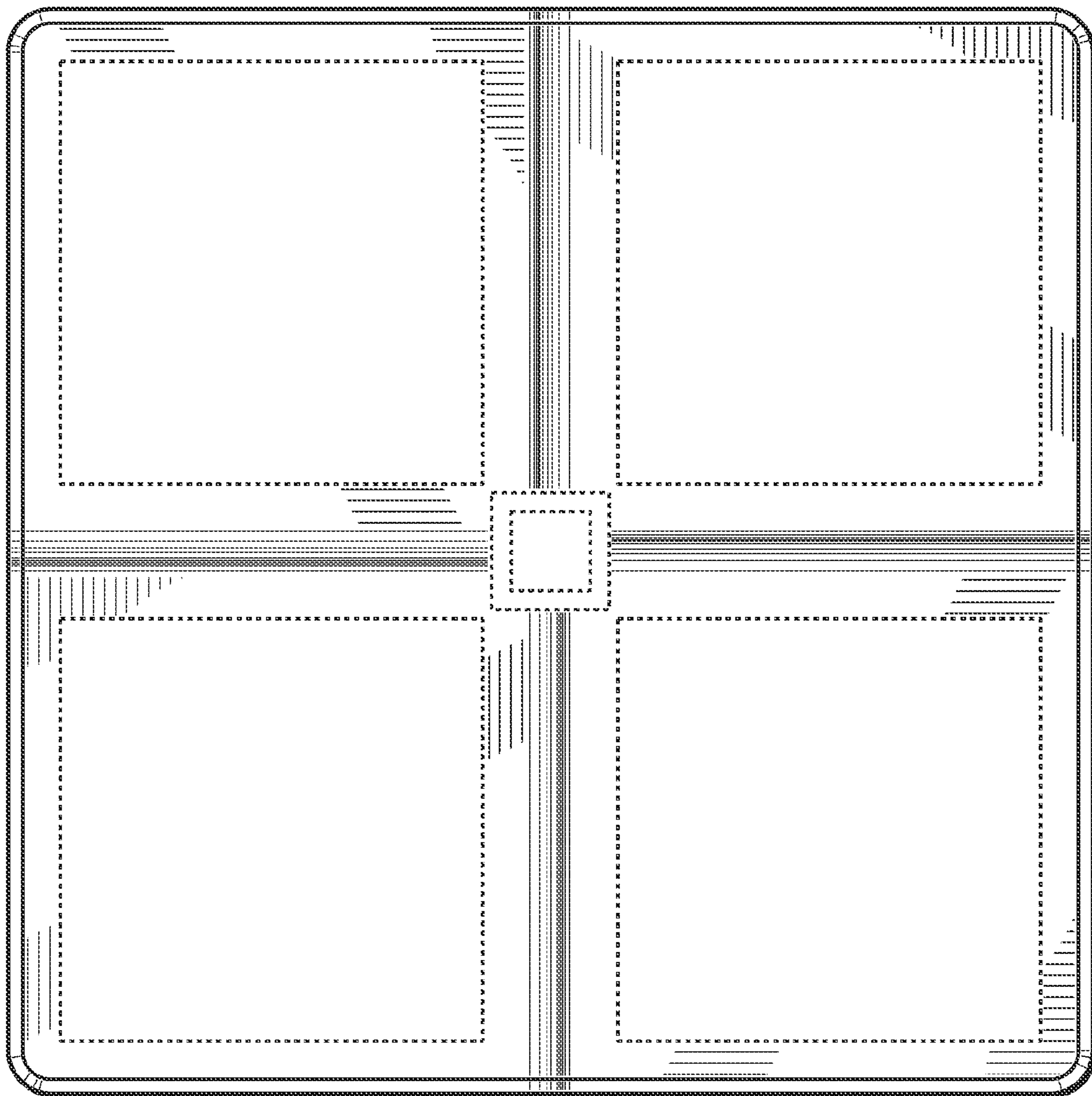


FIG. 4

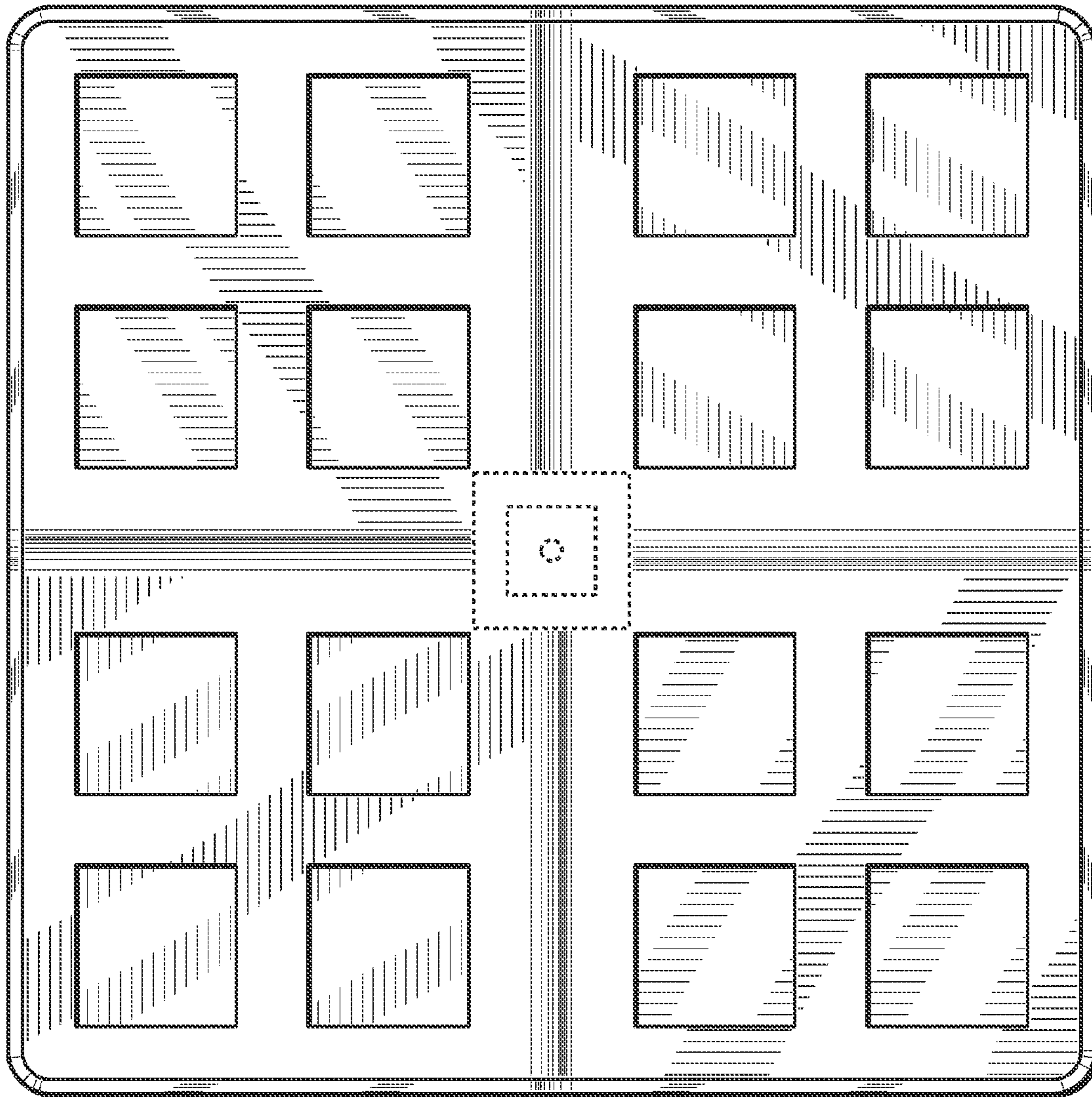


FIG. 5